



ELECTROLUX HOME PRODUCTS PTY LTD
ABN 51 004 762 341

Technical Publication N° KSS110

Issue: 3
Date: 03/12

**WHITE WESTINGHOUSE
INVERTER
SPLIT SYSTEM
AIR CONDITIONER**

SECTION	PAGE N°
INDOOR ASSEMBLY	2 & 3
OUTDOOR ASSEMBLY	4 & 5

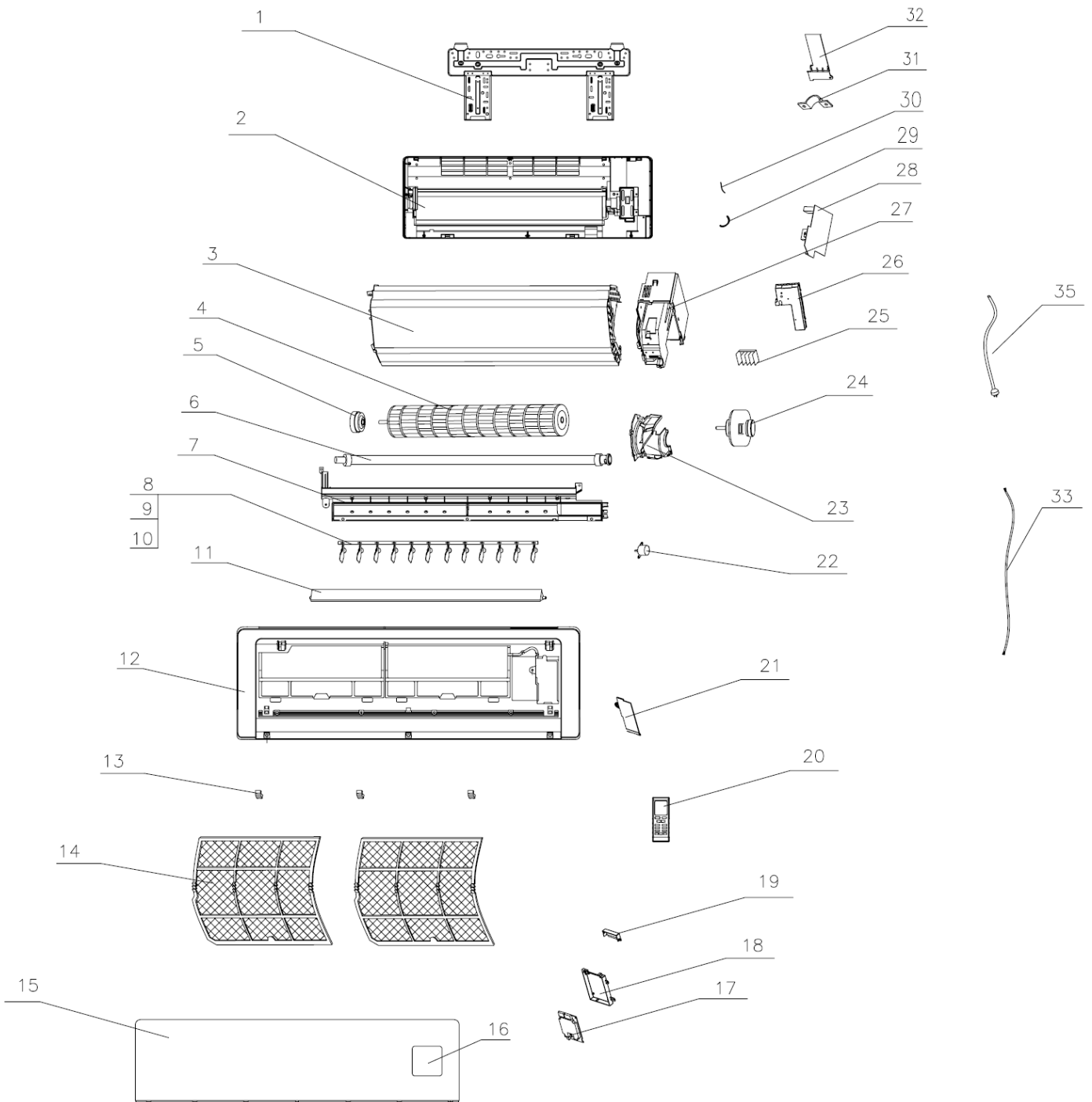
Release Date: October 2010.

MODEL:

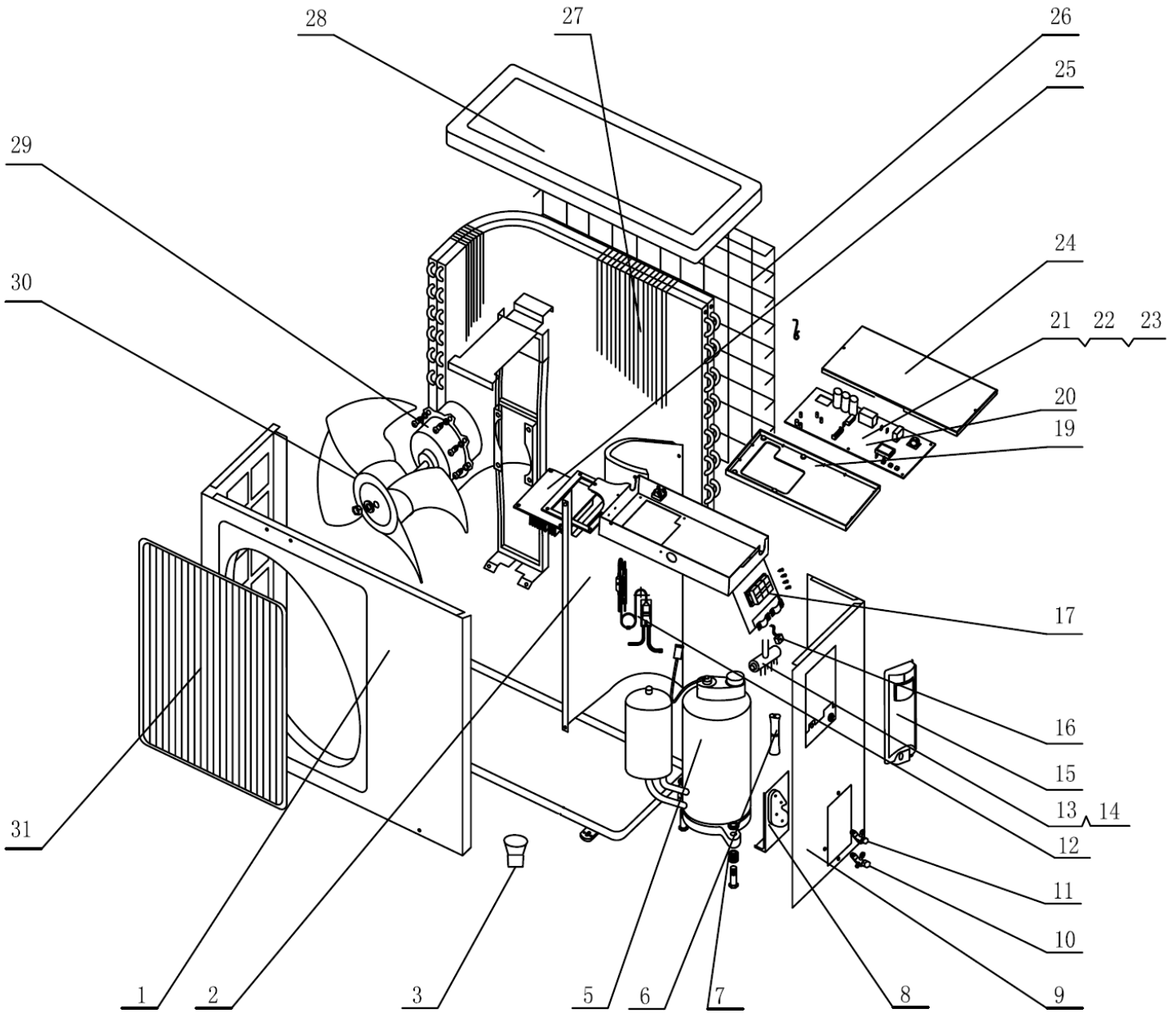
WSV26HRB

MODEL: WSV26HRB

EX. VIEW DRAWING 7670
INDOOR ASSEMBLY



ITEM	PART NUMBER	DESCRIPTION Ex. 7670	QTY
1	01252008	Plate, Installation (Wall-Mounting)	1
2	2220208407	Chassis Assembly, Rear	1
3	01002089	Evaporator Assembly	1
4	10352023	Fan Blade, Cross Flow	1
5	76512203	Bearing, Fan Blade	1
6	0523001401	Pipe, Drainage	1
7	2018208002C	Tray, Water-Evaporator	1
8	10512099	Louver, Vertical	8
9	10512097	Louver, Vertical	2
10	10582450	Linkage, Louver Swing	1
11	10512102	Louver, Horizontal	1
12	20012049P	Case, Outer Panel	1
13	24252019P	Cover, Screw	3
14	11122059	Filter, Air	2
15	20012037	Panel, Front	1
16	22430124S	Cover, Receiver PCB	1
17	30545052	PCB, Receiver Board-D5005	1
18	20122070	Support, Receiver PCB	1
19	20122058	Cover, PCB Display Box	1
20	30510049	Remote Control	1
21	20122074P	Cover, Wiring-2	1
22	15012086	Motor, Step	1
23	26112132	Clamp, Motor	1
24	15013068	Motor Fan-FN10D-ZL	1
25	42011233	Block, Terminal (Four Point)	1
26	20122103	Cover, Electric Box-2	1
27	20112085	Box, Electric Components	1
28	30039150	PCB, Main-B9U523J	1
29	390000451	Sensor, Ambient Temperature	1
30	390000591	Sensor, Tube Temperature-(20K Black)	1
31	71010003	Clamp, Wire Fixing	1
32	26112124	Plate, Press-Connecting Pipe	1
33	400205235	Cable, Connecting	1
35	40020491	Cord, Power Supply	1



ITEM	PART NUMBER	DESCRIPTION Ex. 7671	QTY
1	015330124	Panel, Front	1
2	01233071	Plate, Partition Assembly	1
3	06123401	Connector, Drainage	1
5	00205212	Compressor, C-6RZ110H1A	1
6	0713010301	Valve, One Way	1
7	76815203	Support, Rubber-Compressor	3
8	01713041	Support, Valve	1
9	0130304802	Panel, Right Side	1
10	07100005	Valve, Service-(3/8)	1
11	07100003	Valve, Service-(1/4)	1
12	0310346601	Capillary Assembly	1
13	430004032	Valve, 4-Way	1
14	03023794	Valve Assembly-4 Way	1
15	26233433	Big Handle	1
16	430004002	Coil, 4-Way Valve	1
17	42011113	Block, Terminal (Three Point)	1
19	20113001	Support, Bottom-PCB	1
20	30039363	PCB, Main-WB9U23J	1
21	3900020801	Sensor, Ambient Temperature	1
22	390001921	Sensor, Tube (20K Black)	1
23	39000016	Sensor, Temperature-Discharge Gas	1
24	0260309601	Cover, Top-PCB Main Control Box	1
25	49010252	Radiator (Heat Sink)	1
26	01473014	Grill/Cover, Rear	1
27	01113014	Condenser Assembly	1
28	01253443	Cover Plate, Top	1
29	15013069	Motor, Fan-FW30G-ZL	1
30	10333502	Fan Blade, Axial-Flow	1
31	22413433	Grill/Cover, Front	1
NI	10909121013	Nut, Flare (3/8 – 9.52mm)	1
NI	10909121012	Nut, Flare (1/4 – 6.35mm)	1