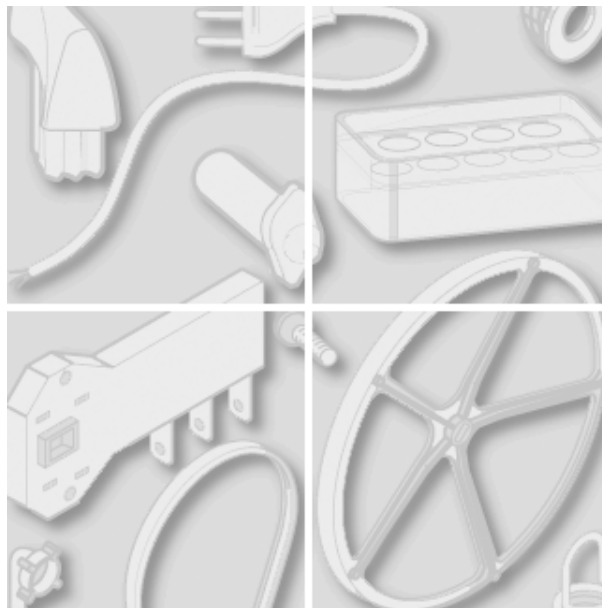


Indesit Company



Model type:
FM81RIXAUS

Commercial code:
17210

General notes

Technical Documentation guidelines

You can find herewith some generic information to simplify consulting of technical documentation:

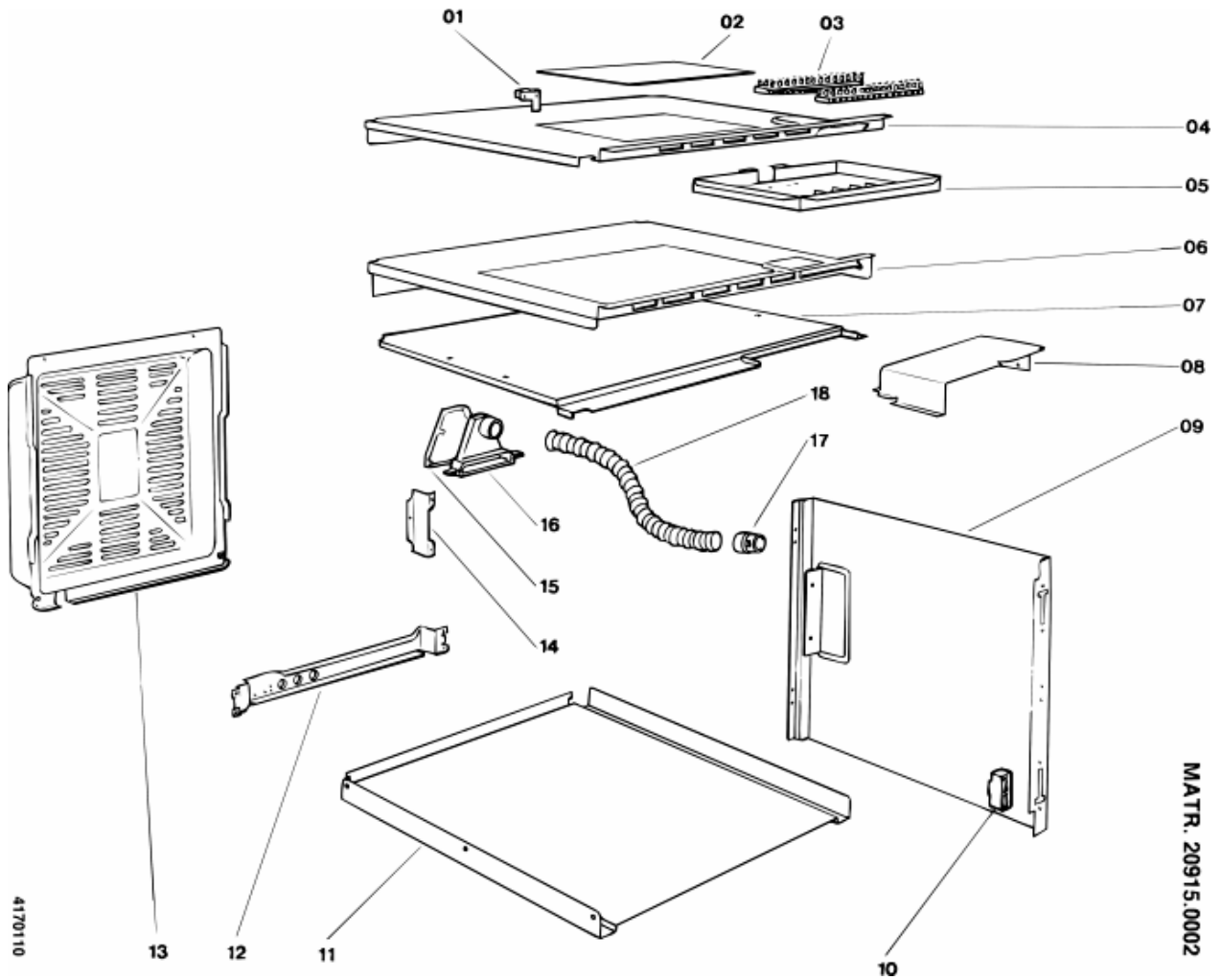
1. Models of same range share the same exploded views, which report the richest set of spare parts: generally, a model does not necessarily have a related spare part for each particular shown on exploded views.
2. Some spare parts can not be represented directly on the exploded views (instruction booklets, specific kit, etc...). You can find those codes in the spare parts list with the same reference of particular where spares are installed or with references 099, 999. Instruction booklets, once managed, appear with 000 reference.
3. On the higher right site of each exploded view there is a serial number which indicates the beginning of the production of certain range: some models might have more than an exploded view for a given category, each distinguished by a different serial no. and linked to another spare parts list, In this case, serial no. is required to supply the right spare part code. Exploded view to be considered is the one with a more recent serial no. but previous than the one of the model that needs assistance.
4. Exploded views might require further updates even after publishing. Addition of new spares will go on following the already existing numeration references. Revision number of an exploded view is shown into last four digits of serial number into upper right hand corner.
5. The spare parts list associated to an exploded view shows related codes of spares managed for a certain model; for each spare part other informations are available:

REF: reference no of spare into a table; SUBSTITUTE: list of spare(s) which can replace a code but that keeps same functional characteristics

INDUSTRIAL CODE: list of variables of a model (shown into model label) where such spare is used; NOTICE: code of information(s) to refer to complete technical intervention, track for changes or to find correct spare part code.
6. Some notices, into a same section are generic therefore cannot be directly linked to a spare part. In order to assist a model in the best way as possible, it is helpful to pay attention to all notices and constantly verify documentation updates
7. Technical documentation cover shows model name and its commercial codes

4170110

Exploded views



4170110

13

12

11

10

MATR. 20915.0002

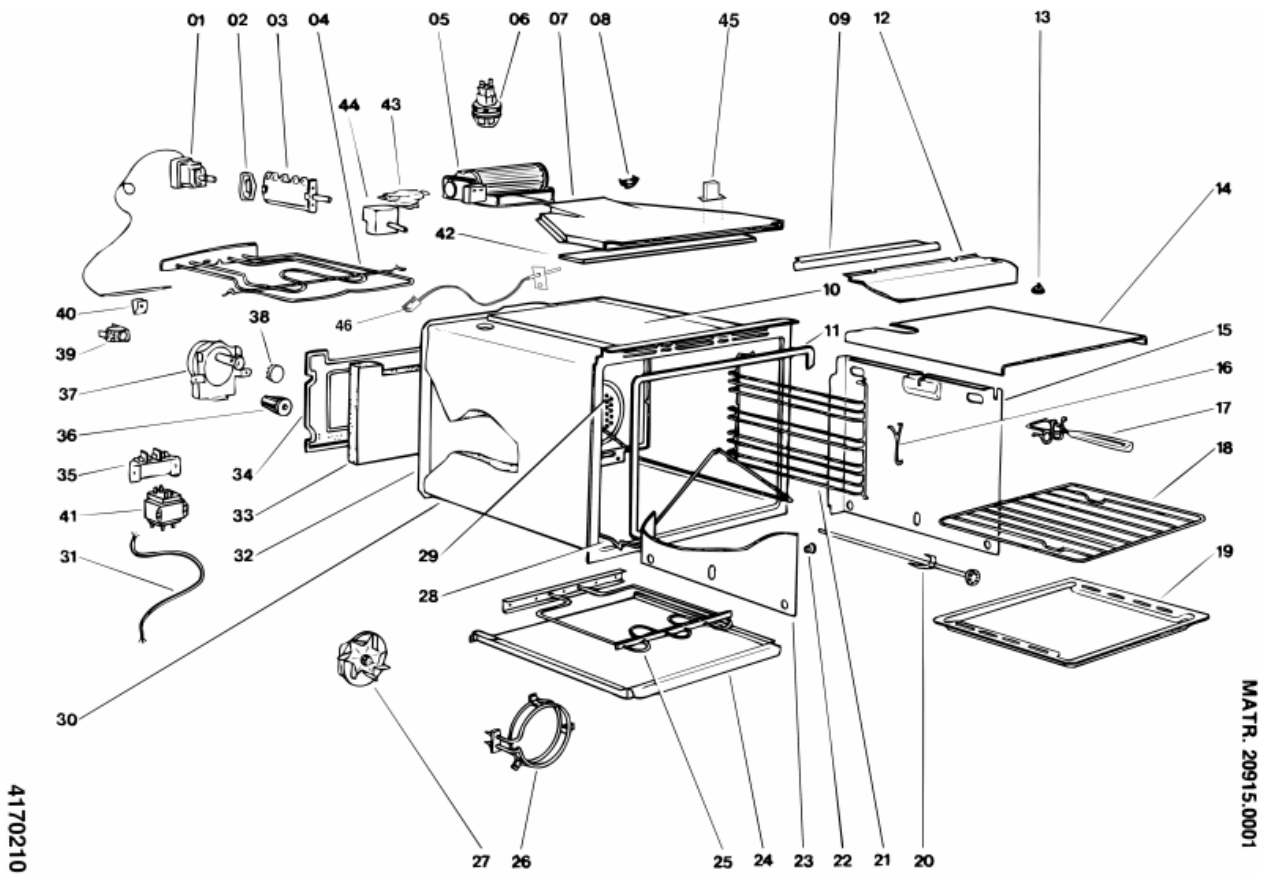
4170110

Spare parts list

Ref.	Code	From	To S/N	Substitute	Description	Notice	Industrial
000	C00052669				user instructions booklet fm27m		
006	C00028025				oven top cover		
009	C00022146				access cover - side panel		
009	C00048091				oven side panel lh (fixed pivot)		
009	C00048092				oven side panel rh (fixed pivot)		
010	C00048090				hinge support (fixed hinge pivot)		
011	C00022148				oven bottom cover		
013	C00048011				outer back oven cover		

4170210

Exploded views



4170210

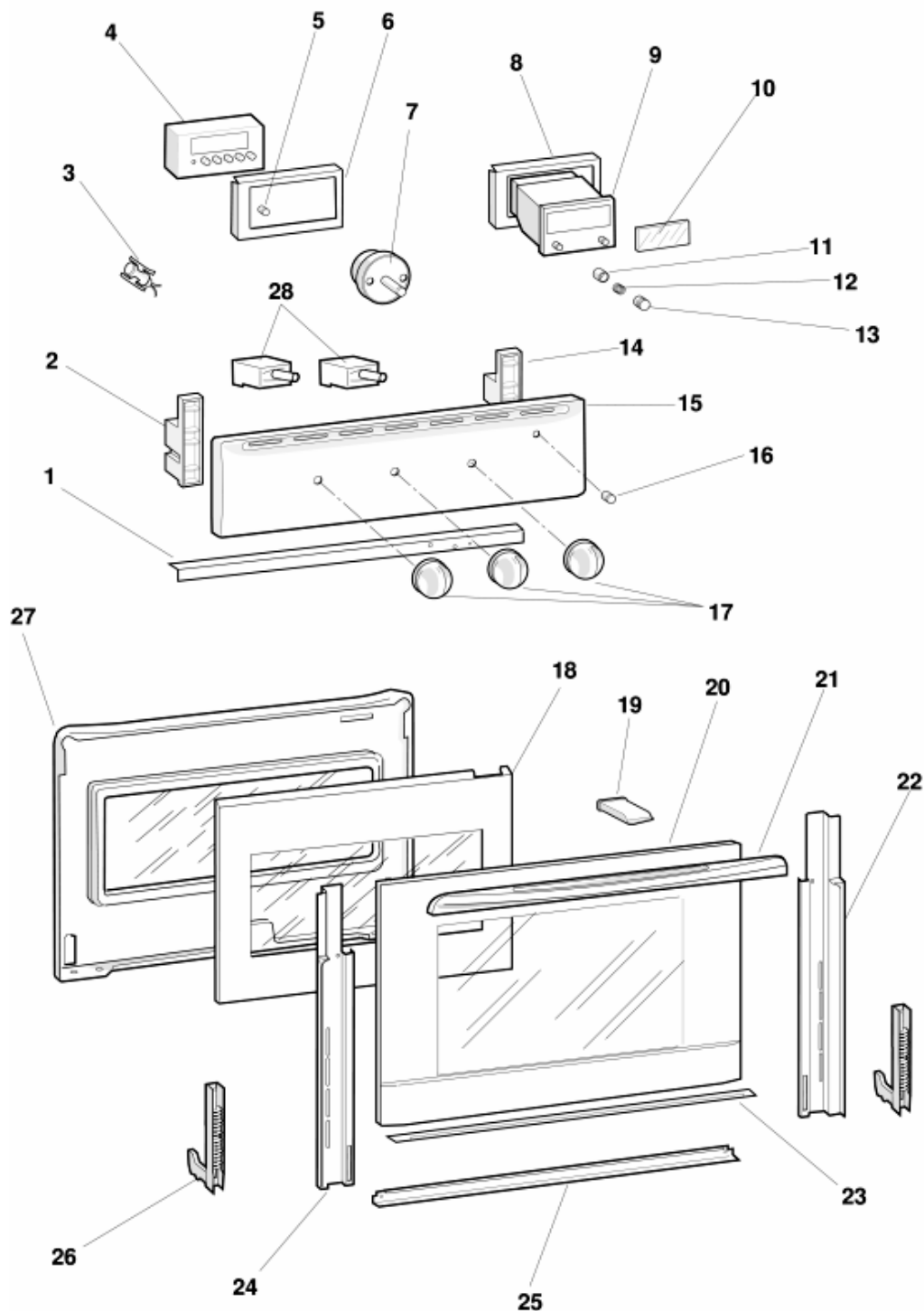
Spare parts list

Ref.	Code	From	To S/N	Substitute	Description	Notice	Industrial
001	C00052585				oven thermostat		
003	C00057133				oven new function switch (7		
004	C00052665				upper element - oven/grill		
005	C00033781				motor fan/assy -		
006	C00038035				oven bulb holder (pistor) 230/240v		
007	C00052570				ventilation ducting		
011	C00027982				oven door seal- 4 sides brown		
017	C00016432				handle - grill pan / turnspit		
018	C00030161				oven grate 30mm wires		
018	C00052667				oven shelf-parallel australia		
019	C00031422				drip tray - black enamelled		
021	C00033135				wire runners - oven shelf supports		
022	C00016118				round securing nut - shelf runners		
024	C00016423				ducting - lower heating element		
025	C00052664				heating element-oven bottom		
026	C00052663				circular oven heating element		
027	C00016057				fan motor-(cooking) 220v/240v	n1015003	
029	C00033403				oven back panel (inner) enamelled		
030	C00033953				oven insulation - sides		
032	C00052594				oven chamber		
033	C00039048				oven insulation mat - back		
034	C00016108				oven outer back panel		
035	C00039460				terminal block 2.pole (fastex)		
040	C00038914				fixing plate for self-tapping screw		
040	C00039578				push in spring clip - thermostat		
043	C00040555				oven safety thermostat		
099	C00044805				2-pole earthing rivet		

41703e0

Exploded views

MATR. 70310.0001



41703e0

41703e0

Spare parts list

Ref.	Code	From	To S/N	Substitute	Description	Notice	Industrial
002	C00052524				lh end piece - control panel		
003	C00028054				pilot light - horizontal fitting red		
007	C00052527				timer d=6mm		
014	C00052523				rh end piece - control panel		
015	C00057486				dashborad fm81r inox		
016	C00052525				pilot lamp lens - orange		
017	C00052535				knob - chrome		
018	C00053413				third door glass kit	n1015011	
020	C00054707			1 x C00052521	outer door glass + trim		
021	C00052520			1 x C00063867	oven door handle - chrome a		
021	C00063867				oven door handle		
022	C00052515			1 x C00047026	rh front strut(fixed hinge piv)-		
024	C00052514			1 x C00047026	lh front strut (fixed hinge pivot)		
025	C00052573				lower profile - stainless		
026	C00048108				oven door hinge (fixed hinge		
027	C00052569				oven metal inner door+glass inside		
027	C00074982				oven metal inner door+glass		
099	C00011549				self-tapping screw 8px12,7 tsp-		
099	C00017240				self-tapping screw 8px9,52 t1/2t-		
099	C00018053				self-tapping screw 8px10 tcb		

Notices

n1015003: Oven fan assembly

Beginning with serial no. 80715.0001 a new oven fan was introduced, perfectly interchangeable with the pre-modification one, yet different from it in that it does not have a fastening disk.

To assemble, fix the screws into the three holes within the motor structure.

When assembled, the motor will have a winding rotated anticlockwise by 60° compared to its old position.

n1015011: Replacement of hinges on oven doors for 3rd oven door assembly kits

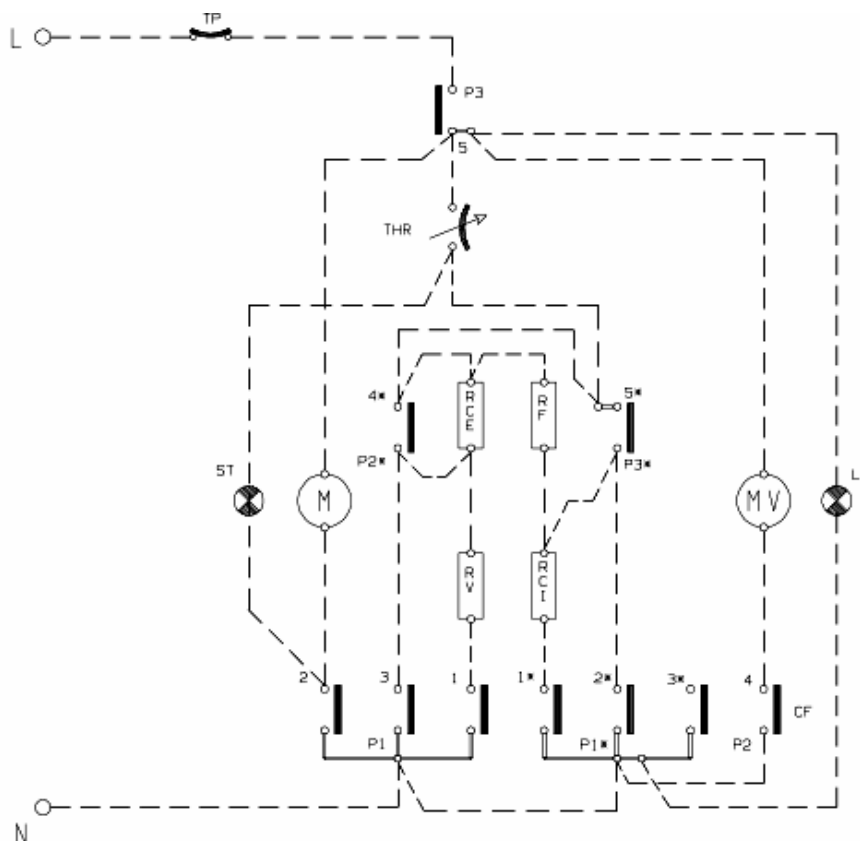
On all ovens (FS41-FS41R-FM51-FM51R-FM751RC-FM752RC-FM52F-FM87F-FS41GB-FV37GB-FM51IXGB-HS30-HM50-FS46C-FM81R AUS-FM771RC-FM772RC-FM571R), if you wish to add the 3rd oven door accessory kit sat part no. 053413, you need to replace the oven door hinges part no.051715 due to the increase in weight of the oven door.

n1015015: Method to remove the external glass of the oven door.

On all built-in cooker and oven models, when it is necessary to remove the glass from the oven door handle (to avoid breaking the handle) the glass is not removed upwards, but should be oscillated towards the right and left until the two silicone points, that unite the glass to the handle, detach.

Electric schemes and links

Cod. 417108b



NOTA: I CONTATTI CON (*) SONO RELATIVI AL COMMUTATORE POSTERIORE

Legend

Legend: 417108b

AE	Ignition transformer	PE	Plate electric (Normal and Rapid)
AT	Ignition transformer	PEL	Wall socket
CF	Oven commutator	PIF	Cooking programmer
CP	Plate commutator(Normal end Rapid)	POT	Thermostated potentiometer
CT	Plate commutator(Automatic)	PT	Termoprotector
DC DR	Double Knob double crown burner control card	PTC	Thermostated sensor
EV	Electro-Valve	RCE	Grill heating element ex- ternal
FC	End of cooking programmer	RCI	Grill heating element internal
FRONT	Daschboard	RE	Energy regulator
I/LF	OVEN LIGHT SWITCH	RF	Oven lower heating element
I/LF-MG	OVEN LIGHT SWITCH + ROTISSERIE	RG	Grill heating element
I/MG	TURNSPIT SWITCH	RG COM	Grill heating element un- ion
IL	Knobs' Lighting	RV	Heating element ventilated oven
ILG	Lamp switch turnspit	SA	Boiler operating led
IT	Thermostated switch	SB	Thermostated burner led
L	Line (Feed)	SF	Warning light working
LF	Oven light	SO	Probe temperature
LI	Oven light	SP	Operating Indicator Light for the Plate
M	Suction motor handle	ST	Warning light thermostat
MG	Turnspit motor	TH	Thermostat fixed
MO	Terminal board	TH2	Thermostated burner cooling
MUFF	Oven	THR	Adjustable thermostat
MV	Fan motor	TP	Termoprotector
N	Neutral (Feed)	TRAV	Support terminal board
PA	Ignition push-button	TRM	Thermostated burner control card