



ELECTROLUX HOME PRODUCTS PTY LTD
ABN 51 004 762 341

Technical Publication N° DW328

Issue: 1
Date: 8/11

WEB SITE ADDRESS: www.partnship.com.au

SIMPSON

ELECTRONIC DISHWASHER
“K” SERIES

TO BE USED IN CONJUNCTION WITH
CIRCUIT and WIRING DIAGRAM PUBLICATION - DW230.

MODEL:

52C850WK
PNC 911519029 07

VARIANT CHANGE SUMMARY	
-------------------------------	--

07	Tub (NPA via Spares), Counterweight Intro, Door Latch, Motor Bracket Buffer, PCB & Harness.
-----------	---

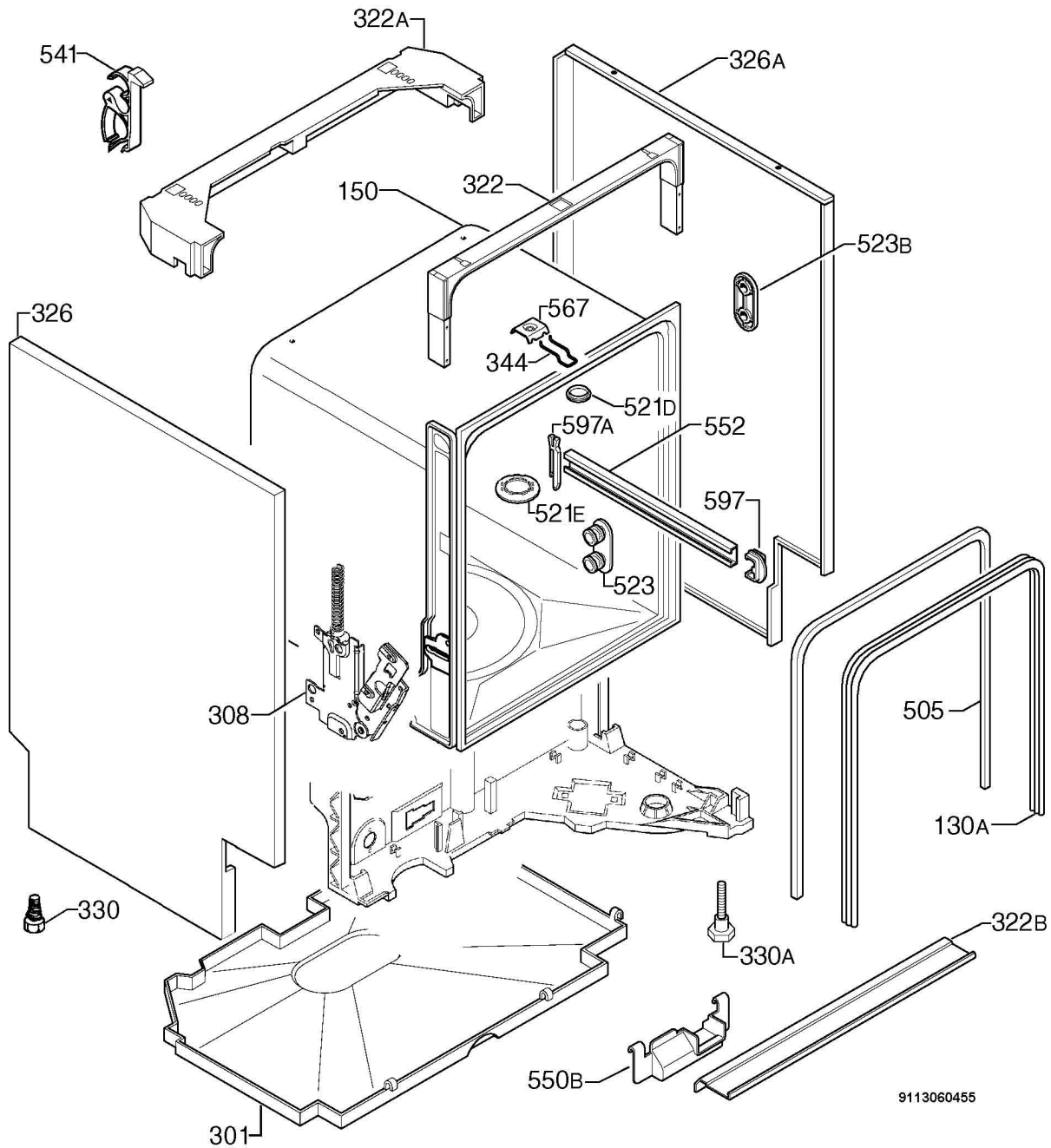
First Built Dates:	
---------------------------	--

52C850WK / 911519029 07	03/08/2011

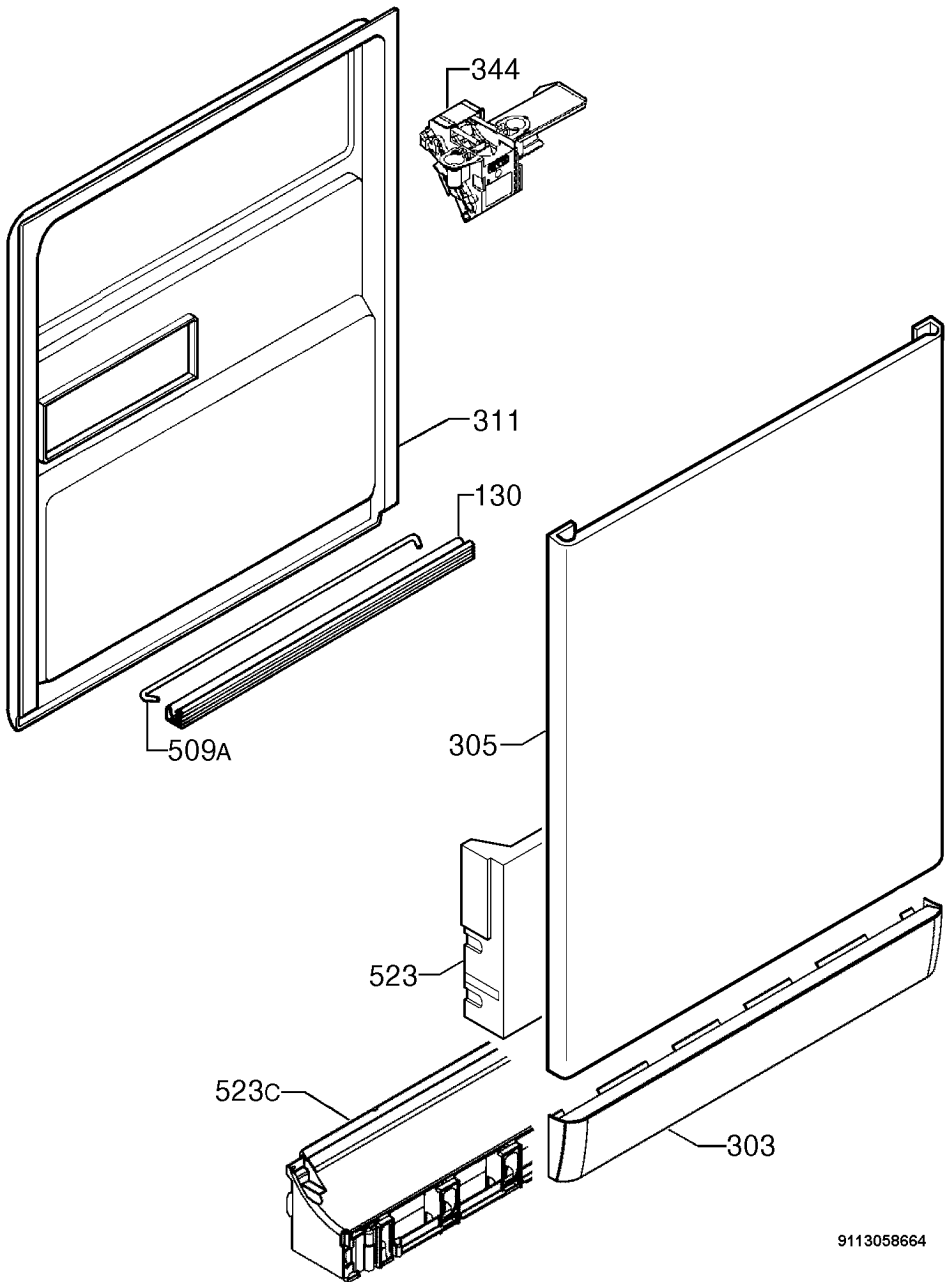
CONTENTS	PAGE N°
VARIANT CHANGE SUMMARY & FIRST BUILD DATES	2
CONTENTS	3
CABINET and BASE ASSEMBLY	4 & 5
DOOR ASSEMBLY	6 & 7
PUMP, SUMP and HYDRAULIC SYSTEM	8 & 9
ELECTRICAL EQUIPMENT	10 & 11
WORK TOP and CONTROL PANEL	12 & 13
BASKET ASSEMBLY	14 & 15

NOTE: In Parts Listings

N.I. = Not Illustrated
N.P.A. = No Part Available
N.P.N. = Not Used on this Model



ITEM	PART N°	DESCRIPTION Ex. 9113086550	QTY
130A	1524445-01/0	Sealing Sleeve Outer x 1730mm Long	1
150	N.P.A.	Tub Assembly	-
257	1560635102	Counterweight - from Serial N°128xxxx	1
301	1526298136	Bottom Cabinet	1
308	4055031332	Kit Door Hinge Right-Left	1
322	1560799114	Crossbar Front Zinc-Plated	1
322A	1170350-01/9	Crossbar Back Upper	1
322B	1527256-10/9	Crossbar Front Bottom	1
326	1170153-41/3	Side Panel Left White	1
326A	1170153-51/2	Side Panel Right White	1
330	1520664-10/1	Adjustable Foot Rear	2
330A	1527992125	Adjustable Foot Front 10mm	2
344	1522344-05/8	Latch	1
505	1526715-40/2	Trimming Tub Black x 1710mm Long	2
521D	1526576-00/2	Hole Cover Latch	1
521E	1527051-10/4	Hole Cover Tub	1
523	50289087-00/4	Wheel Support Kit Dark Grey (4 Pieces)	1
523B	1118814-00/1	Stiffening Support	4
541	N.P.A.	Hose Clamp	-
550B	1522345-03/0	Wiring Protection	1
552	1170542-00/3	Rail Basket Upper	2
567	1523236-03/0	Plaque (Speed Clip)	1
597	1520479-30/2	Basket Stop Front Dark Grey	2
597A	8996461234-05/7	Stopper Back Dark Grey	2
N.I.	4055046587	Fixing Clip Stud (4 Pieces)	1
N.I.	4055071387	Kit Stud Right-Left	1



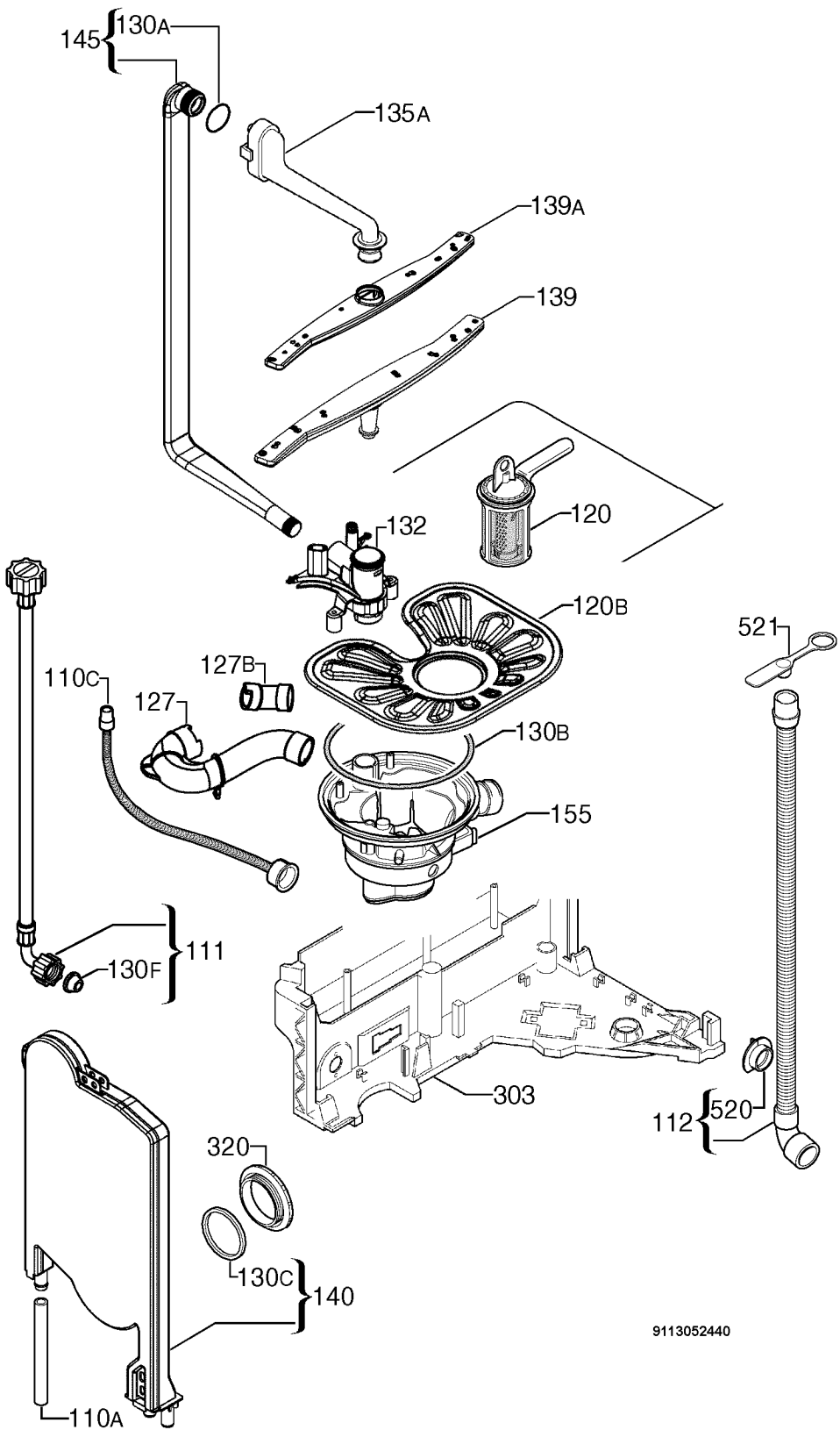
9113058664

MODEL: 52C850WK

PNC 911519029 07

**EX. VIEW 9113058664
DOOR COMPLETE
ASSEMBLY**

ITEM	PART N°	DESCRIPTION	Ex. 9113058664	QTY
130	1527401-00/2	Door Gasket Bottom Black x 550mm Long		1
303	1170155-02/0	Plinth White		1
305	1170154-10/6	Door White		1
311	1170189-11/0	Inner Door		1
344	1113150120	Latch Complete		1
509a	1520419-14/2	Tie Hinge		1
523	1529408-00/5	Stiffening Door 60-SOFT		1
523c	1170156-03/6	Holder Plinth Dark Grey		1

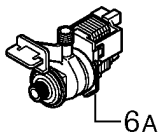
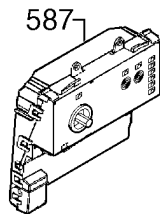
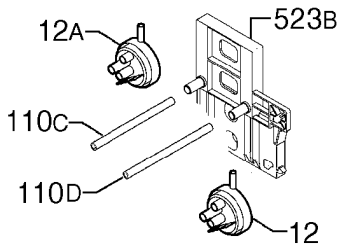
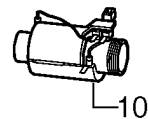
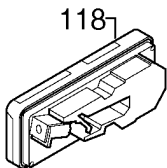
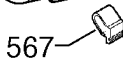
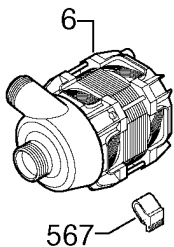
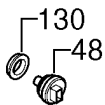


ITEM	PART N°	DESCRIPTION	Ex. 9113052440	QTY
110A	1526815-10/3	Tube Container Cup Fill Valve x 280mm Long		1
110C	1525986-10/3	Tube Container Cup Sump		1
111	50278866-00/4	Feeder Hose x 1500mm Long		1
112	1560330-10/0	Discharge Hose x 2230mm Long		1
120	5029774-00/7	Drain Filter Complete		1
120B	1119082-00/4	Filter Plastic		1
127	1118945-01/1	Pipe Union Sump Heater Element		1
127B	1118946-10/0	Pipe Union Heater Element Washing Pump		1
130A	1523119-01/2	Seal Channel Drainage		1
130B	0208400147	O-Ring Sump		1
130C	50659231-00/0	Round Seal Container Cup		1
130F	124015102	Gasket Hose		1
132	1118940020	Column Support Lower Spray Arm		1
135A	1528233800	Channel Drainage Complete		1
139	1118952-00/9	Lower Spray Arm Light Grey		1
139A	1118949-00/5	Upper Spray Arm Light Grey		1
140	1170481-13/7	Container Cup Small Electronic		1
145	1118960-00/2	Manifold Vertical		1
155	1560930-00/8	Sump Complete		1
303	1170159-03/0	Basement		1
320	1526272-10/7	Grill Vapour Outlet Dark Grey		1
520	N.P.A.	Flange Discharge Pipe		-
521	N.P.A.	Stopper Drainage Hose		-

If a Customer needs to extend their Drain Hose, order the following components:
0571400142 Hose Drain (2M length), 0182200002 Ferrule Hose Joiner (19mm)
and 2 x 0005001019 Clamp.

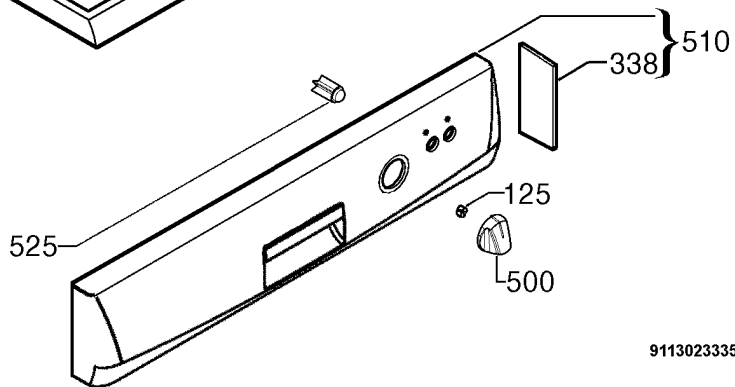
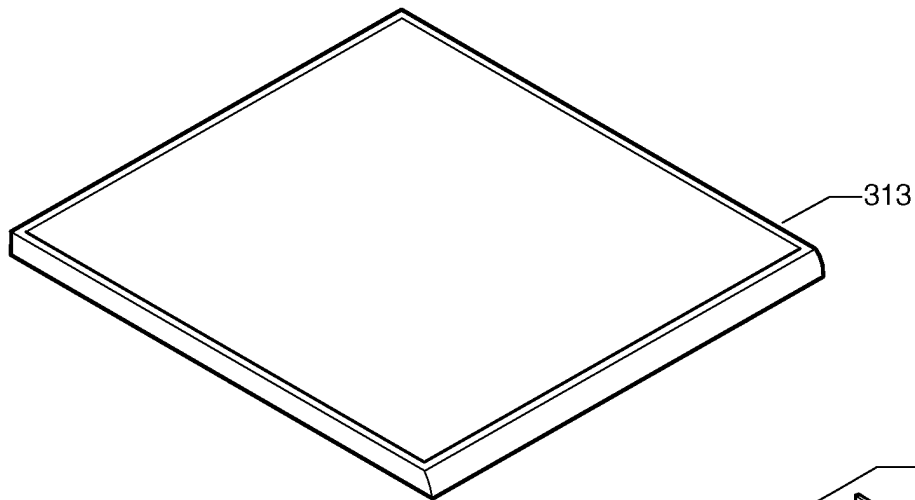
For extensions less than 2 metres, use ES5323K Kit Hose Flex Drain (1M)

NOTE: Total Drain Hose length must not exceed 4 metres.



P09113080381

ITEM	PART N°	DESCRIPTION Ex. 9113080381	QTY
5	1170958-01/9	Fill Valve	1
6	1111468-32/6	Washing Motor Pump 2800RPM	1
6A	50293177-00/7	Drain Pump 50HZ	1
10	1560734012	Heating Element 230V/2000W Ø32mm	1
11	1115927012	Running Capacitor 3uf	1
11B	0144400042	Interference Suppressor	1
12	1528189-02/8	Pressure Switch Level 65/45	1
12A	1528189-12/7	Pressure Switch Safety 123/98	1
48	1115912-06/3	Temperature Sensor NTC	1
110C	1170450-40/5	Tube Pressure Switch Safety x 515mm Long	1
110D	1170450-51/2	Tube Pressure Switch Level x 525mm Long	1
118	50285882-00/2	Kit Dispenser Detergent	1
130	0208400152	Sealing Sleeve Temperature Sensor	1
523B	1171241001	Mount Pressure Switch	1
567	1171934019	Motor Bracket	1
587	973911519029053	Configured Electronic EDW500	1
N.I.	1560549147	Harness Complete	1
N.I.	1560711-00/2	Power Cable Australian	1



9113023335

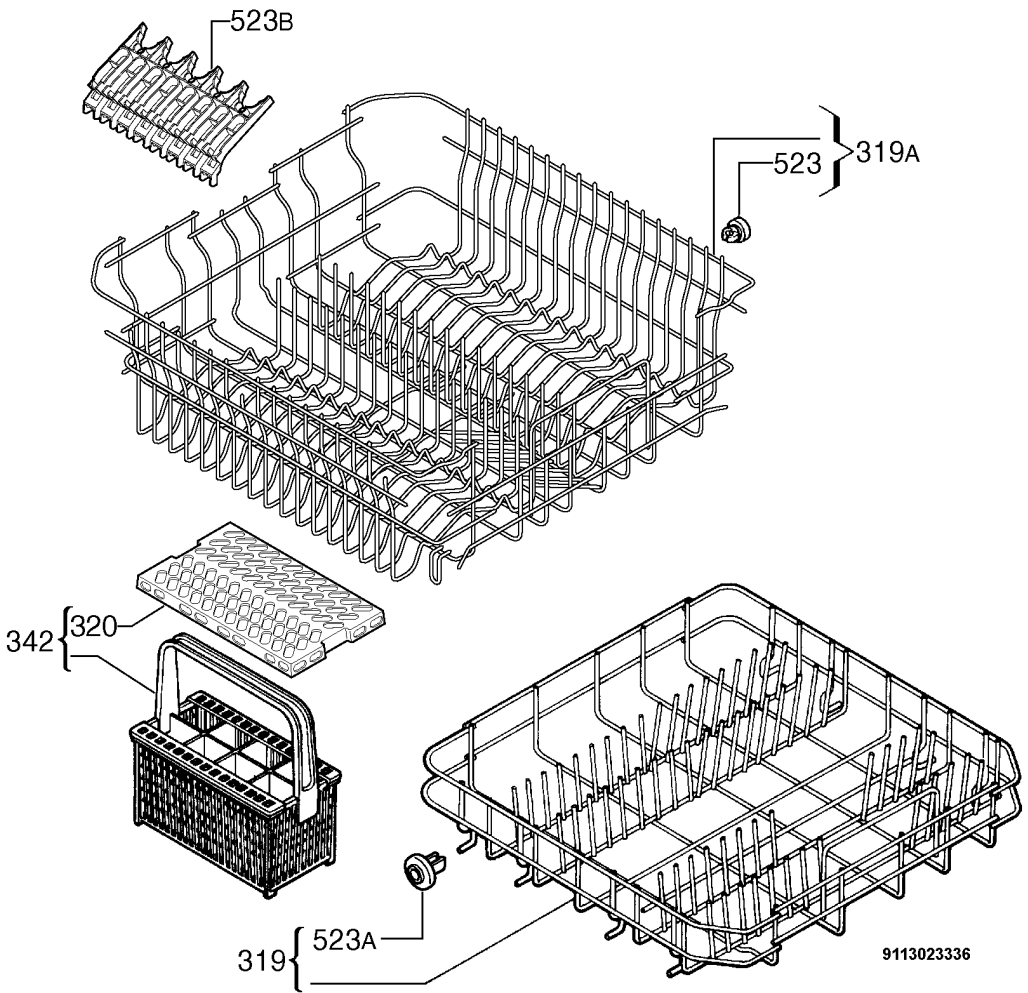
9113023335

MODEL: 52C850WK

PNC 911519029 07

**EX. VIEW 9113023335
WORKTOP and
CONTROL PANEL ASSEMBLY**

ITEM	PART N°	DESCRIPTION	Ex. 9113023335	QTY
125	50681736-00/0	Locking Ring Knob		1
313	1560625-00/4	Work Top		1
338	1560022-00/4	Side Plate Control Panel White		2
500	1528283-00/3	Knob White		1
510	1560111-11/2	Control Panel Silkscreened Complete		1
525	1528449034	Push Button White Complete		1



9113023336

9113023336

MODEL: 52C850WK**PNC 911519029 07****EX. VIEW 9113023336
BASKET ASSEMBLY**

ITEM	PART N°	DESCRIPTION Ex. 9113023336	QTY
319	1118987-01/3	Dishwasher Basket Bottom Grey	1
319A	1118983624	Dishwasher Basket Upper Light Grey	1
320	1525019-10/3	Grate Cutlery Basket Grey	1
342	1525593-00/8	Cutlery Basket Light Grey Complete	1
523	50286967-00/0	Wheel Kit Dark Grey (8 Pieces)	4
523A	50286965-00/4	Wheel Kit Dark Grey (8 Pieces)	1
523B	1527713-13/3	Holder Cup Grey	1