



ELECTROLUX HOME PRODUCTS PTY LTD
ABN 51 004 762 341

Technical Publication N° CG190.doc

Issue: 2
Date: 3/10

WEB SITE ADDRESS: www.partnship.com.au

WESTINGHOUSE

**GAS
URIGHT COOKERS
“K” SERIES**

MODELS:

**GUK511WLP*59
GUK511WNG*59
GUK512WLP*59
GUK512WNG*59
GUK517WLP*59
GUK517WNG*59
GUK525WLP*59
GUK525WNG*59
GUK527WLP*59
GUK527WNG*59**

Variant Change Summary

***59** Oven, grill door and handle.

First Built Dates:

GUK511WLP*59	4/11
GUK511WNG*59	4/11
GUK512WLP*59	4/11
GUK512WNG*59	4/11
GUK517WLP*59	4/11
GUK517WNG*59	4/11
GUK525WLP*59	4/11
GUK525WNG*59	4/11
GUK527WLP*59	4/11
GUK527WNG*59	4/11

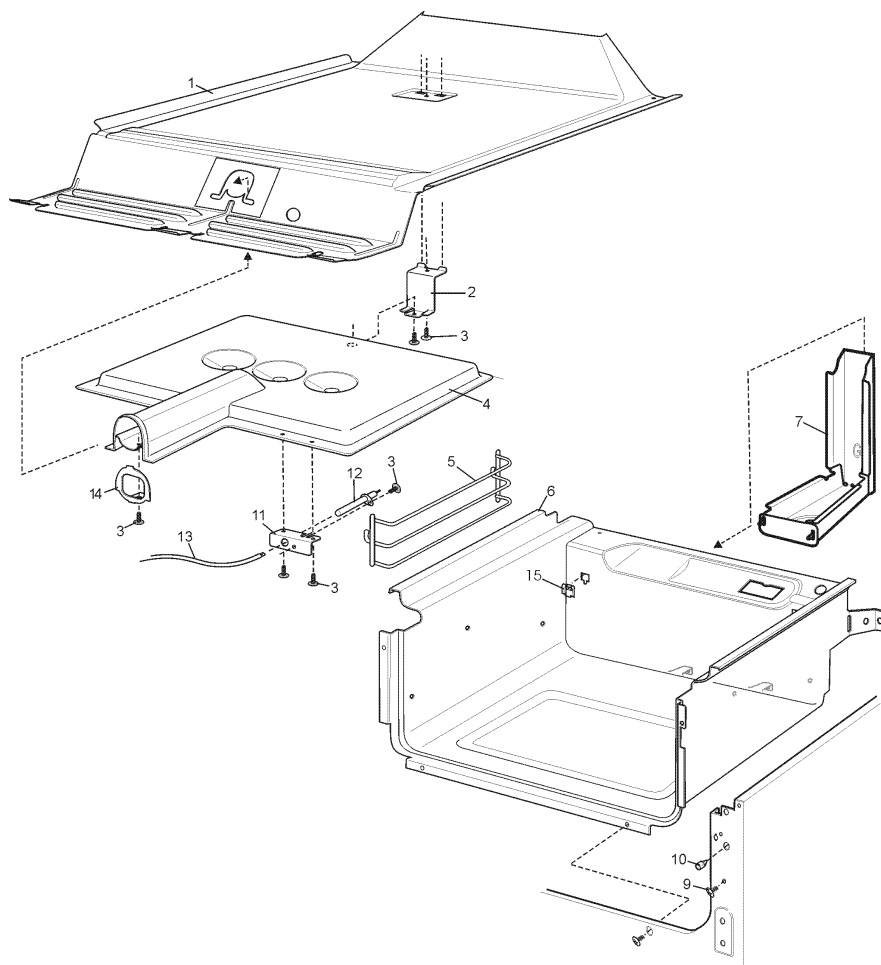
CONTENTS	PAGE N°
FIRST BUILT DATES	2
CONTENTS	3
GRILL ASSEMBLY	4
OVEN ASSEMBLY GUK511 GUK512 GUK517	5
OVEN ASSEMBLY GUK525 GUK527	6 - 7
CHASSIS ASSEMBLY	8 - 9
HOB ASSEMBLY GUK511	10 - 11
HOB ASSEMBLY GUK512	12 - 13
HOB ASSEMBLY GUK517 GUK527	14 - 15
HOB ASSEMBLY GUK525	16 - 17
CONTROL PANEL ASSEMBLY GUK511 GUK512	18
CONTROL PANEL ASSEMBLY GUK517	19
CONTROL PANEL ASSEMBLY GUK525 GUK527	20
INTERNAL PACK	21
INSTALLATION BAG	22
GRILL DOOR	23
OVEN DOOR	24
GAS CONVERSION KITS	25
GAS CONVERSION KIT N.Z.	26
CIRCUIT DIAGRAM GUK517 GUK525 GUK527	27

NOTE: In Parts Listings

N.I. = Not Illustrated
N.P.A. = No Part Available
N.P.N. = Not Used on this Model

MODELS: GUK511WLP*59 GUK511WNG*59
 GUK512WLP*59 GUK512WNG*59
 GUK517WLP*59 GUK517WNG*59
 GUK525WLP*59 GUK525WNG*59
 GUK527WLP*59 GUK527WNG*59

**EX. VIEW DRAWING 5760
 GRILL ASSEMBLY**

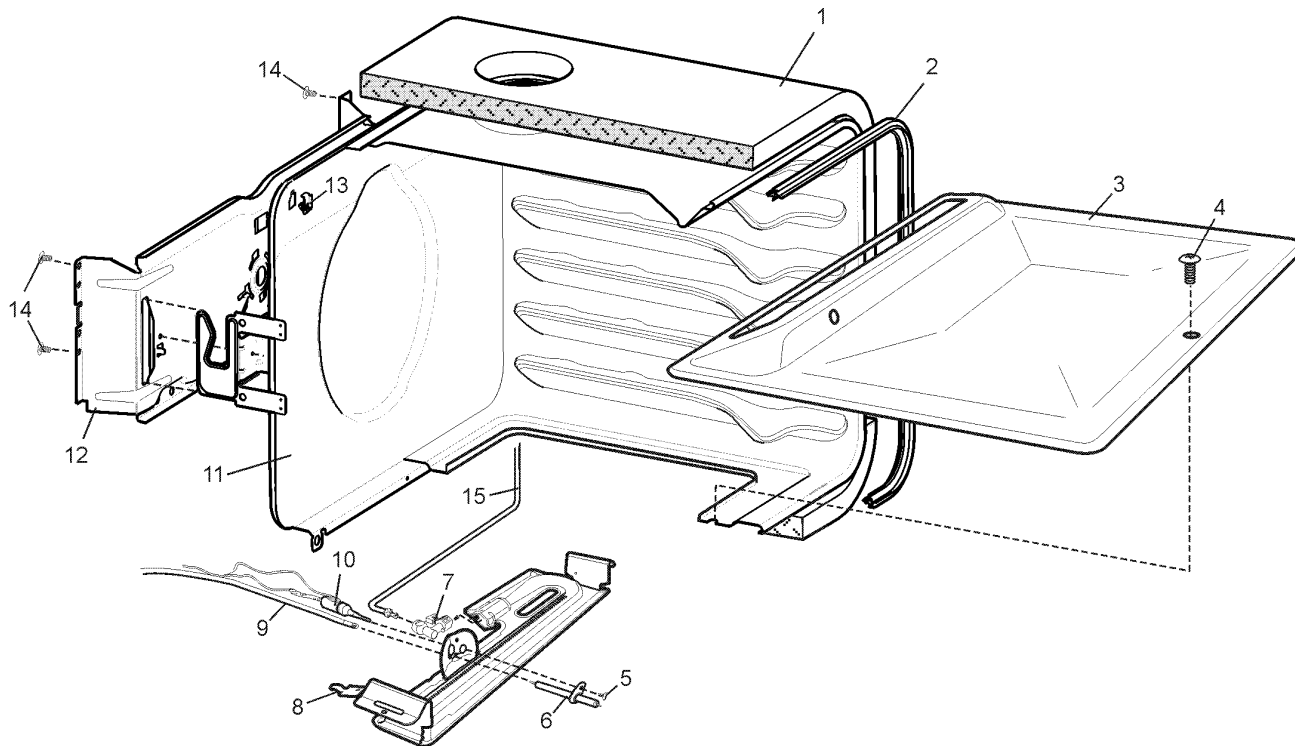


ITEM	PART N°	DESCRIPTION	Ex. 5760	LP	NG
1	0257 001 020	CANOPY GRILL GAS UC20		1	1
2	0030 024 035	BRACKET MOUNTING GRILL BURNER		1	1
3	0701 009 024	SCREW #8 X 8 W/HD POZI NI		7	7
4	0004 008 330	BURNER GRILL ASSY-1999		1	1
5	0327 001 168	RACK SIDE SUPPORT GRILL UC20		2	2
6	0488 001 405	GRILL BOX ENAM ELEC 540 BIOS		1	1
7	0092 001 207	FLUE DUCT OVEN 540 GAS BIOS		1	1
9	0701 009 027	SCREW #8 X 1/2 MUSH #2PH AB BK		2	2
10	0589 001 033	BUMPER STOP GREY		2	2
11	0030 023 360	BRACKET IGNITER GRILL		1	1
12	0049 001 192	PLUG IGNITION GRILL - DERLITE		1	1
13	0173 020 072	WIRE IGNITION GRILL 300MM		1	1
14	0535 001 016	SHUTTER AERATION GRILL LP BIOS		1	
	0535 001 015	SHUTTER AERATION GRILL NG BIOS			1
15	0125 008 345	CLIP ELEMENT MOUNT OC98/UC20		2	2
N.1.	0374 005 206	INSUL GRILL CANOPY TOP UC20		1	1

MODELS:

GUK511WLP*59 GUK511WNG*59
GUK512WLP*59 GUK512WNG*59
GUK517WLP*59 GUK517WNG*59

EX. VIEW DRAWING 5772
OVEN ASSEMBLY

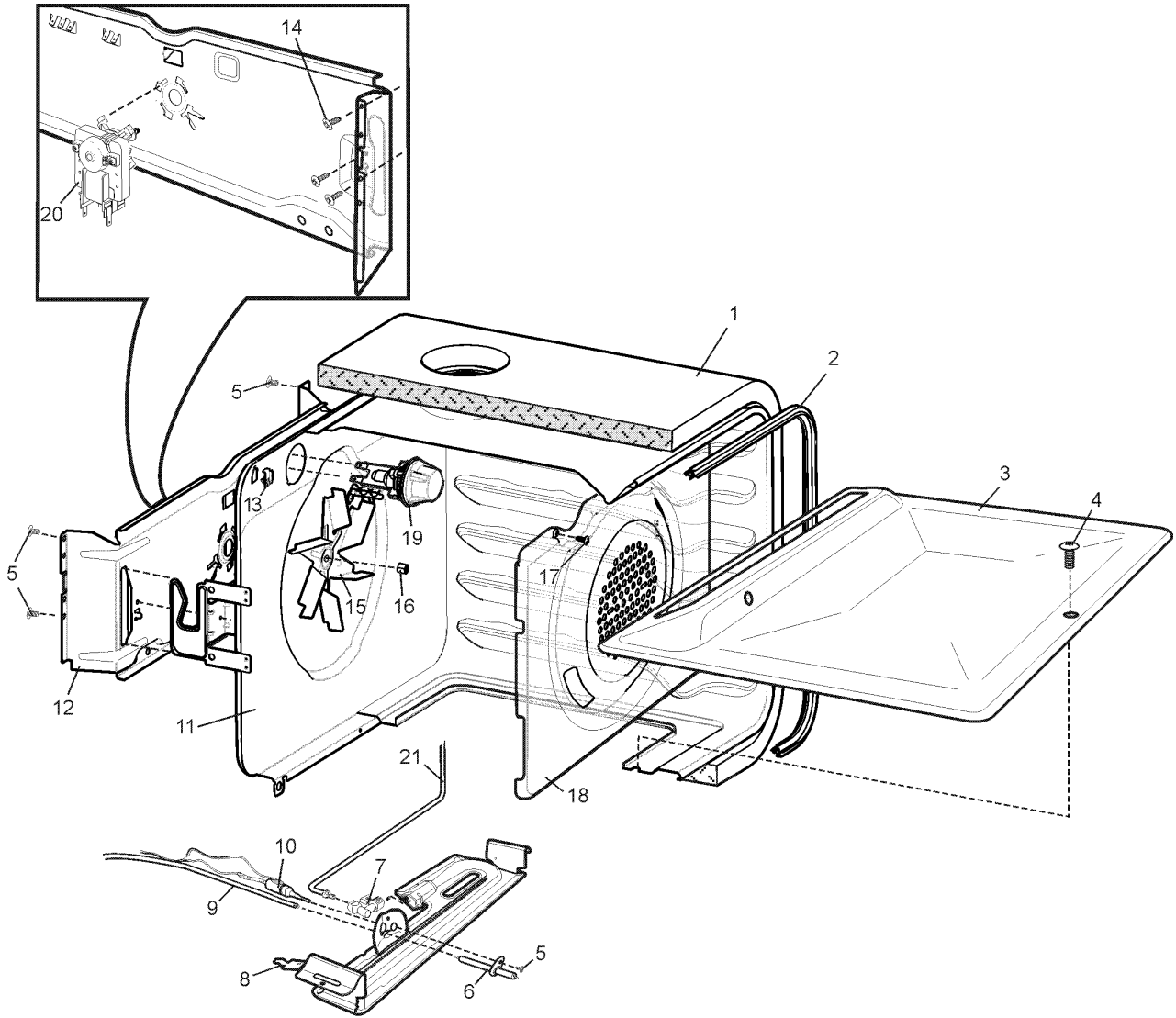


ITEM	PART N°	DESCRIPTION	Ex. 5772	QTY
1	0374 005 227	INSULN OVEN WRAP GAS 540 BIOS		1
2	0208 003 452	SEAL OVEN BIOS MK 2		1
3	0028 025 413	COVER O/BURN GAS-540 ENAM BIOS		1
4	0750 001 033	SCREW #8 X 3/4 STEPPED PAN BLK		1
5	0701 009 024	SCREW #8 X 8 W/HD POZI NI		2
6	0049 001 192	PLUG IGNITION GRILL - DERLITE		1
7	0212 002 090	HOLDER INJECTOR OVEN BIOS		1
8	0004 008 590	BURNER OVEN 540 ASSY BIOS		1
9	0173 020 072	WIRE ASSY H/S 9081-12-20-1100		1
10	0541 001 937	T/COUPLE FSG O/BURN 540 BIOS		1
11	0395 002 099	OVEN ENAM GAS FRM NOLIT BIOS		1
12	0489 001 170	BRACE OVEN REAR 540 BIOS		1
13	0125 008 345	CLIP ELEMENT MOUNT OC98/UC20		1
14	0701 009 033	SCREW #8 X 8MM HEX/MULTI		X
15	0055 007 182	TUBE OVEN SUPPLY 540 BIOS		1
N.I.	0707 018 007	CLIP THERMO 3.0-4.0MM DIA		2

MODELS: GUK525WLP*59
GUK527WLP*59

GUK525WNG*59
GUK527WNG*59

EX. VIEW DRAWING 5773
OVEN ASSEMBLY



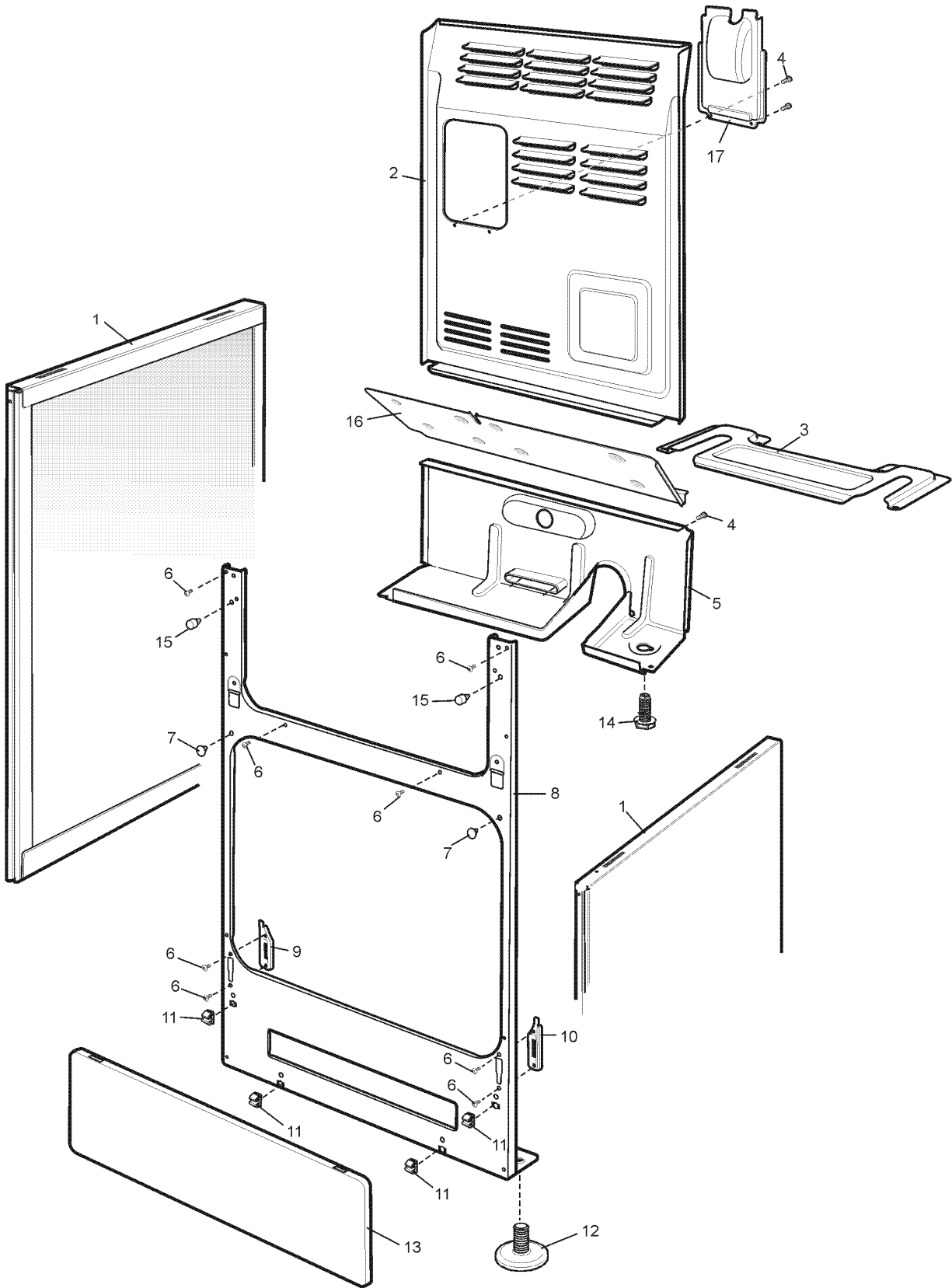
ITEM	PART N°	DESCRIPTION Ex.5773	QTY
1	0374 005 227	INSULN OVEN WRAP GAS 540 BIOS	1
2	0208 003 452	SEAL OVEN BIOS MK 2	1
3	0028 025 413	COVER O/BURN GAS-540 ENAM BIOS	1
4	0750 001 033	SCREW #8 X 3/4 STEPPED PAN BLK	1
5	0701 009 024	SCREW #8 X 8 W/HD POZI NI	2
6	0049 001 192	PLUG IGNITION GRILL - DERLITE	1
7	0212 002 090	HOLDER INJECTOR OVEN BIOS	1
8	0004 008 590	BURNER OVEN 540 ASSY BIOS	1
9	0173 020 072	WIRE ASSY H/S 9081-12-20-1100	1
10	0541 001 937	T/COUPLE FSG O/BURN 540 BIOS	1
11	0395 002 100	OVEN ENAM GAS FRM FAN 540 BIOS	1
12	0489 001 170	BRACE OVEN REAR 540 BIOS	1
13	0125 008 345	CLIP ELEMENT MOUNT OC98/UC20	1
14	0701 009 033	SCREW #8 X 8MM HEX/MULTI	2
15	0026 001 042	FAN IMPELLER OVEN BIOS	1
16	0065 009 259	NUT M6 L/H FAN MOTOR ECM	1
17	0701 009 027	SCREW #8 X 1/2 MUSH #2PH AB BK	X
18	0038 016 830	PANEL FAN COVER GAS ENAM BIOS	1
19	389 0793 04	HOLDER LAMP ASSY BIOS	1
	LM003	LAMP 25W SES E14 300°C CLEAR (PT OF ITEM 19)	1
20	0214 002 118	MOTOR FAN OVEN - BIOS	1
21	0055 007 182	TUBE OVEN SUPPLY 540 BIOS	1
N.I.	0707 018 007	CLIP THERMO 3.0-4.0MM DIA	2

MODELS:

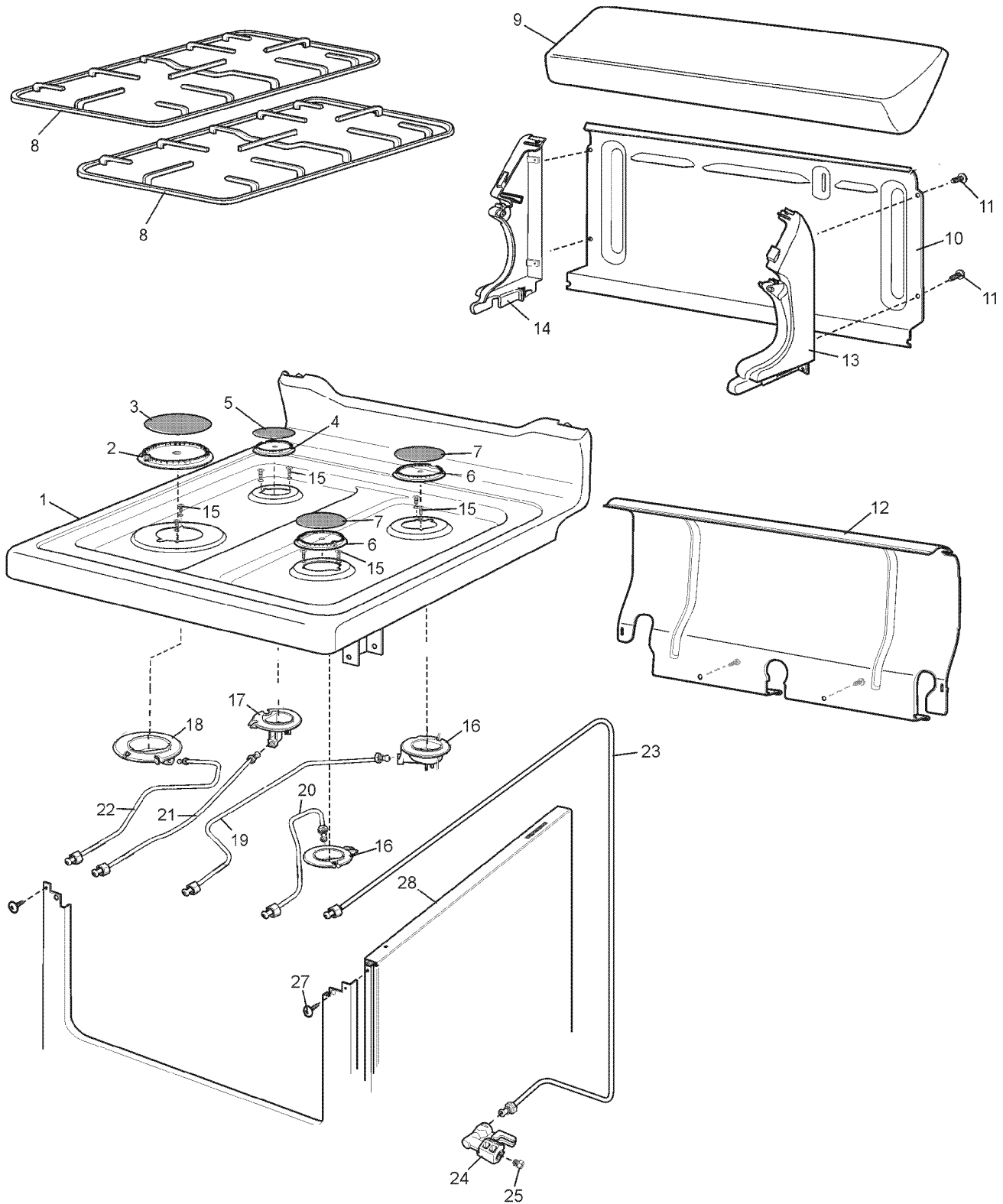
GUK511WLP*59
GUK512WLP*59
GUK517WLP*59
GUK525WLP*59
GUK527WLP*59

GUK511WNG*59
GUK512WNG*59
GUK517WNG*59
GUK525WNG*59
GUK527WNG*59

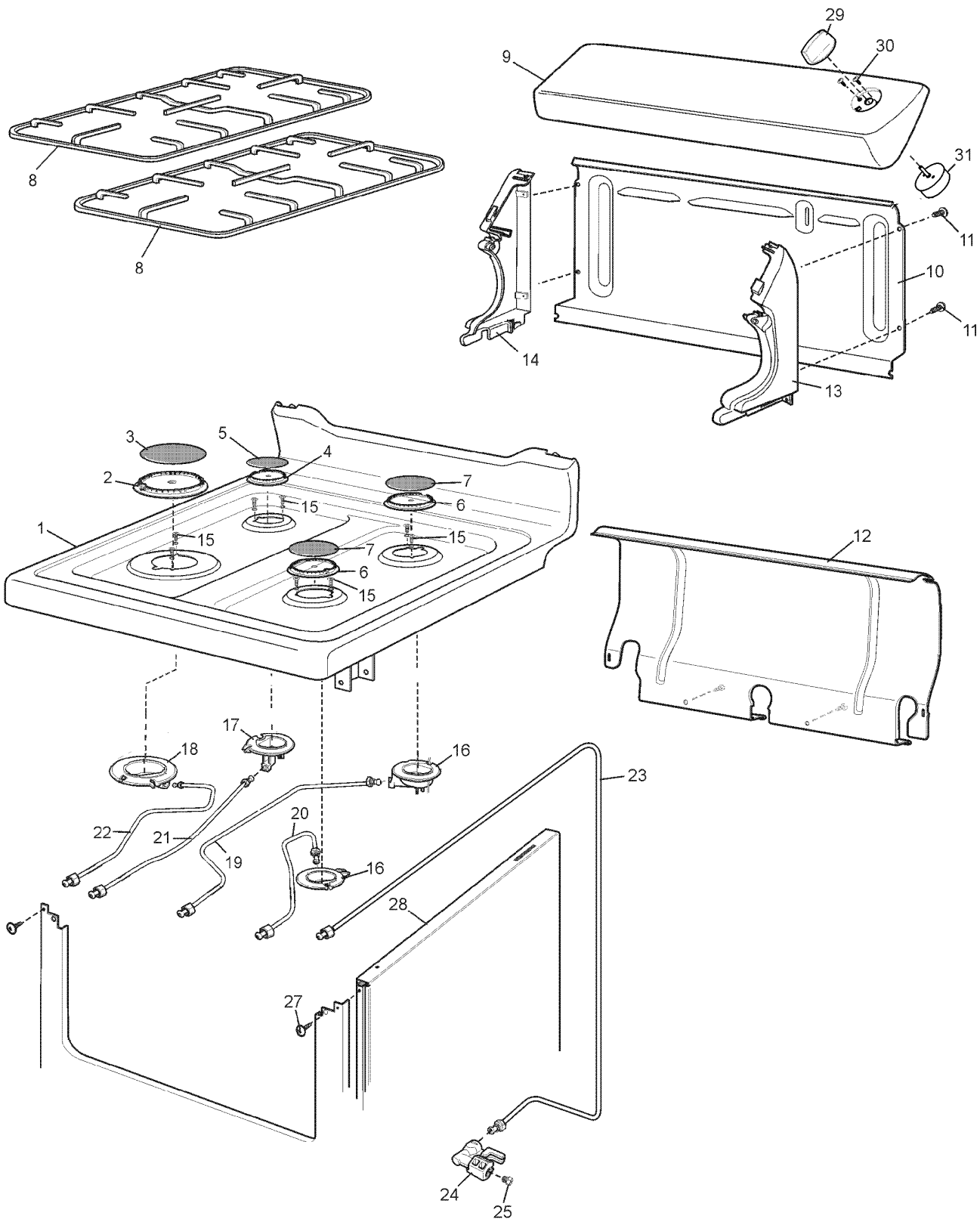
EX. VIEW DRAWING 5768
CHASSIS ASSEMBLY



ITEM	PART N°	DESCRIPTION Ex. 5768	QTY
1	0038 006 895	PANEL SIDE UPRIGHT BIOS	2
2	0038 008 103	PANEL COVER WIRE GAS 540 BIOS	1
3	0022 041 090	PLATE ANTI TILT UPRIGHTS	1
4	0701 009 033	SCREW #8 X 8MM HEX/MULTI	X
5	0038 016 754	PANEL LOWER BRACE	1
6	0701 009 027	SCREW #8 X 1/2 MUSH #2PH AB BK	4
7	0589 001 032	BUMPER STOP BLACK OC98	2
8	0081 009 217	F/FRONT PAINT 540 F/C +GAS BIOS	1
9	0133 002 223	COUNTER SUPPORT LH U/R BIOS	1
10	0133 002 224	COUNTER SUPPORT RH U/R BIOS	1
11	0125 008 358	CLIP KICK PANEL	4
12	0523 001 032	FOOT LEVELLING 540 UPRIGHTS	2
13	0038 016 854	PANEL KICK WHITE 540	1
14	0523 001 037	FOOT LEVELLING UPRIGHT	2
15	0589 001 033	BUMPER STOP GREY UC20	2
16	0038 016 833	PANEL SEALING GAS 540 BIOS	1
17	0022 041 155	PLATE CVR TERM GAS 540 BIOS	1



ITEM	PART N°	DESCRIPTION Ex. 5753	LP	NG
1	0602 002 887	HOB S/B ENAM GAS STD BIOS	1	1
2	0004 008 399	BURNER CROWN ELUX RAPID	1	1
3	0004 008 393	BURNER CAP ENAM ELUX RAPID	1	1
4	354 0045 01	BURNER CROWN ELUX AUX	1	1
5	0004 008 391	BURNER CAP ENAM ELUX AUX	1	1
6	0004 008 398	BURNER CROWN ELUX SEMI R	2	2
7	0004 008 392	BURNER CAP ENAM ELEX SEMI R	2	2
8	0127 001 158	TRIVET STD/STD ENAMEL - C/TOP	2	2
9	0038 012 136	PNL CNT SCR 510/511 BIOS	1	1
10	0038 007 968	PANEL S/BACK WIRE COVER UC20	1	1
11	0701 009 033	SCREW #8 X 8MM HEX/MULTI	X	X
12	0349 001 387	SHIELD WIRING HOB 540 BIOS	1	1
13	0160 003 624	ENDCAP CONTROL PANEL RH UC20	1	1
14	0160 003 623	ENDCAP CONTROL PANEL LH UC20	1	1
15	354 3202 01	SCREW TORQ #4 X 12 #6 PAN HEAD	8	8
16	357 7298 50	BURNER BODY ASSY SEMI LP	2	
	0004 008 427	BURNER BODY ASSY SEMI RAP NG		2
17	0004 008 431	BURNER BODY ASSY AUX LP	1	
	0004 008 425	BURNER BODY ASSY AUX NG		1
18	357 7298 44	BURNER BODY ASSY RAPID LP	1	
	0004 008 429	BURNER BODY ASSY RAPID NG		1
19	0055 007 167	TUBE BURNER U/R ELEC'X R/R	1	1
20	0055 007 165	TUBE BURNER U/R ELEC'X R/F	1	1
21	0055 007 166	TUBE BURNER U/R ELEC'X L/R	1	1
22	0055 007 183	TUBE BURNER U/R ELEC'X L/F	1	1
23	0055 007 182	TUBE OVEN SUPPLY 540 BIOS	1	1
24	0212 002 090	HOLDER INJECTOR OVEN BIOS	1	1
25	0131 002 185	NIPPLE INJECTOR 0.95	1	
	0131 002 393	NIPPLE INJ 1.60		1
27	0701 009 027	SCREW #8X 1/2 MUSH #2PH AB PK	2	2
28	0038 006 895	PANEL SIDE UPRIGHT BIOS	2	2

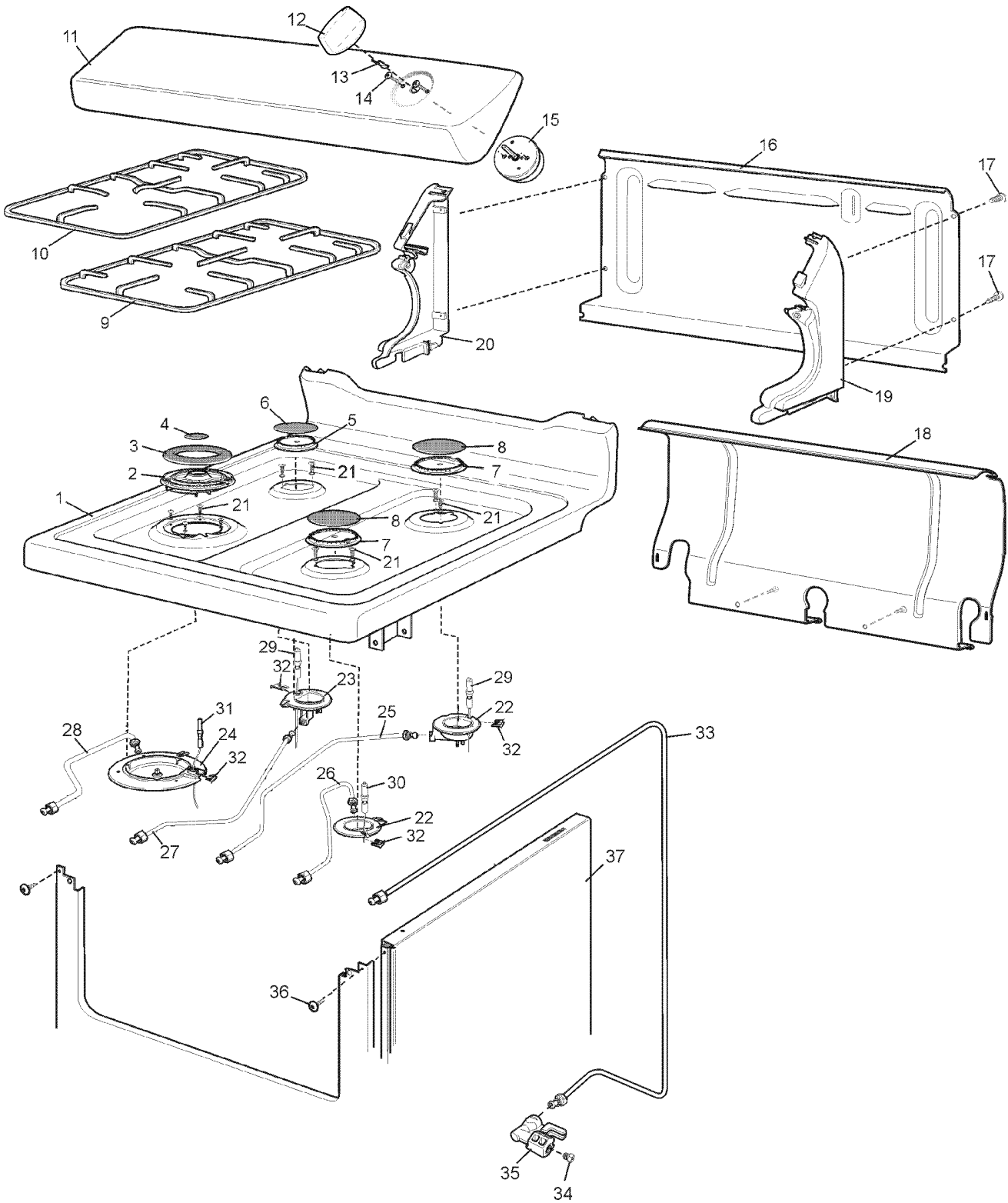


ITEM	PART N°	DESCRIPTION	Ex. 5759	LP	NG
1	0602 002 887	HOB S/B ENAM GAS STD BIOS		1	1
2	0004 008 399	BURNER CROWN ELUX RAPID		1	1
3	0004 008 393	BURNER CAP ENAM ELUX RAPID		1	1
4	354 0045 01	BURNER CROWN ELUX AUX		1	1
5	0004 008 391	BURNER CAP ENAM ELUX AUX		1	1
6	0004 008 398	BURNER CROWN ELUX SEMI R		2	2
7	0004 008 392	BURNER CAP ENAM ELEX SEMI R		2	2
8	0127 001 158	TRIVET STD/STD ENAMEL - C/TOP		2	2
9	0038 012 137	PNL CNT SCR 512/517/527 BI		1	1
10	0038 007 968	PANEL S/BACK WIRE COVER UC20		1	1
11	0701 009 033	SCREW #8 X 8MM HEX/MULTI		X	X
12	0349 001 387	SHIELD WIRING HOB 540 BIOS		1	1
13	0160 003 624	ENDCAP CONTROL PANEL RH UC20		1	1
14	0160 003 623	ENDCAP CONTROL PANEL LH UC20		1	1
15	354 3202 01	SCREW TORQ #4 X 12 #6 PAN HEAD		8	8
16	357 7298 50	BURNER BODY ASSY SEMI LP		2	
	0004 008 427	BURNER BODY ASSY SEMI RAP NG			2
17	0004 008 431	BURNER BODY ASSY AUX LP		1	
	0004 008 425	BURNER BODY ASSY AUX NG			1
18	357 7298 44	BURNER BODY ASSY RAPID LP		1	
	0004 008 429	BURNER BODY ASSY RAPID NG			1
19	0055 007 167	TUBE BURNER U/R ELEC'X R/R		1	1
20	0055 007 165	TUBE BURNER U/R ELEC'X R/F		1	1
21	0055 007 166	TUBE BURNER U/R ELEC'X L/R		1	1
22	0005 007 183	TUBE BURNER U/R ELEC'X L/F		1	1
23	0055 007 182	TUBE OVEN SUPPLY 540 BIOS		1	1
24	0212 002 090	HOLDER INJECTOR OVEN BIOS		1	1
25	0131 002 185	NIPPLE INJECTOR 0.95		1	
	0131 002 393	NIPPLE INJ 1.60			1
27	0701 009 027	SCREW #8X 1/2 MUSH #2PH AB PK		2	2
28	0038 006 895	PANEL SIDE UPRIGHT BIOS		2	2
29	0019 008 123	KNOB WHITE 600 7801		1	1
	29143982	CLIP KNOB (PART OF ITEM 29)		1	1
30	0150 005 259	SCREW M4 X 5 PAN #2PH SMALL HD		2	2
31	0574 001 257	TIMER 60MIN 360 ACTION PEAPSA		1	1

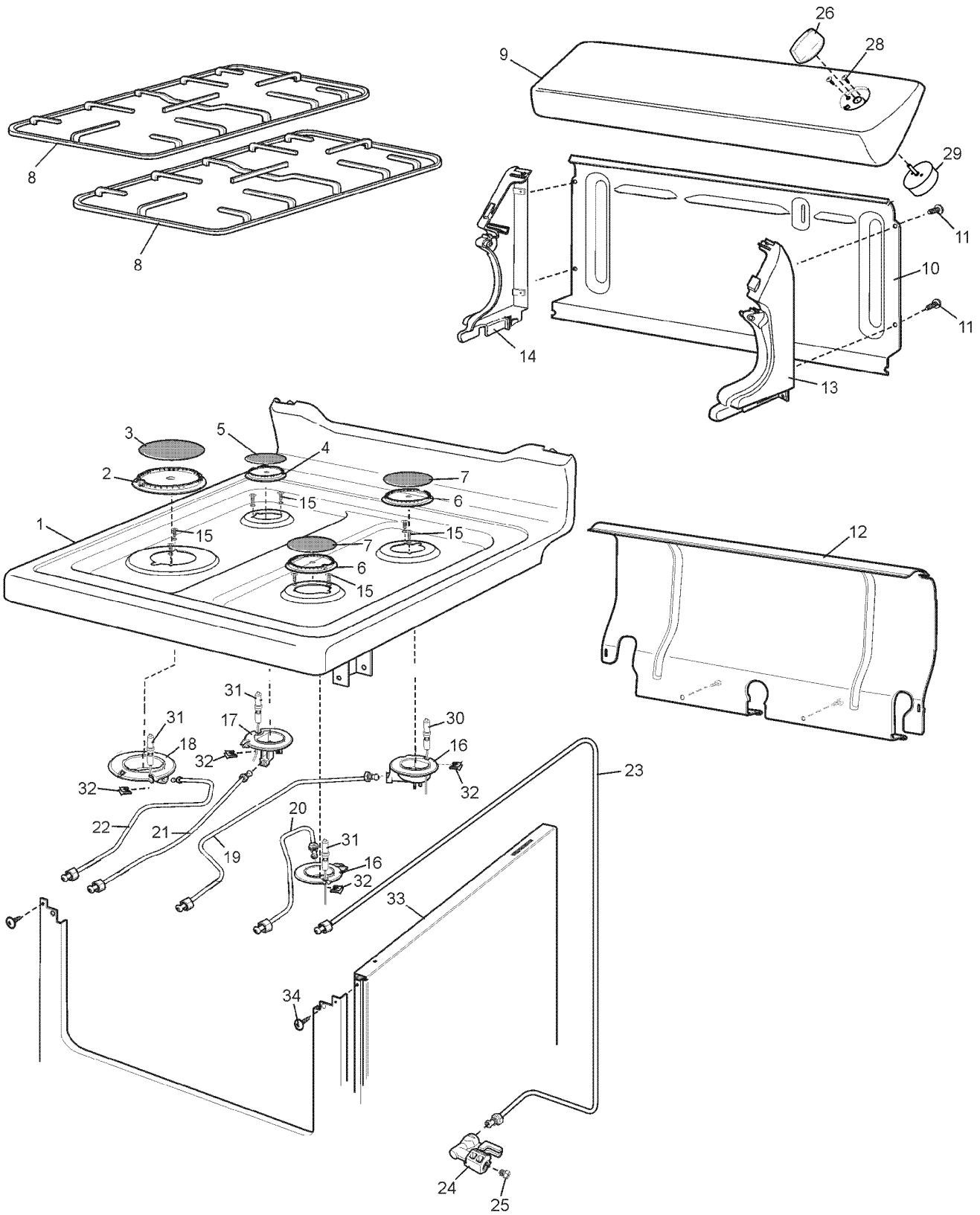
MODELS: GUK517WLP*59
GUK527WLP*59

GUK517WNG*59
GUK527WNG*59

EX. VIEW DRAWING 5757
HOB ASSEMBLY



ITEM	PART N°	DESCRIPTION Ex. 5757	LP	NG
1	0602 002 888	HOB S/B ENAM GAS WOK BIOS	1	1
2	357 7258 05	BURNER CROWN ELUX WOK	1	1
3	0004 008 395	BURNER CAP ENAM ELUX WOK OUT (PT OF ITEM 4)	1	1
4	358 1980 96	BURNER CAP ENAM ELUX WOK SET (INC ITEM 3)	1	1
5	354 0045 01	BURNER CROWN ELUX AUX	1	1
6	0004 008 391	BURNER CAP ENAM ELUX AUX	1	1
7	0004 008 398	BURNER CROWN ELUX SEMI R	2	2
8	0004 008 392	BURNER CAP ENAM ELEX SEMI R	2	2
9	0127 001 158	TRIVET STD/STD ENAMEL - C/TOP	1	1
10	0127 001 187	TRIVET STD/WOK ENAMEL - C/TOP	1	1
11	0038 012 137	PNL CNT S/B SCR 512/517/527 BI	1	1
12	0019 008 123	KNOB WHITE 600 7801 (INC ITEM 13)	1	1
13	29143982	CLIP KNOB (PT OF ITEM 12)	1	1
14	0150 005 259	SCREW M4 X 5 PAN #2PH SMALL HD	2	2
15	0574 001 257	TIMER 60MIN 360 ACTION PEAPSA	1	1
16	0038 007 968	PANEL S/BACK WIRE COVER UC20	1	1
17	0701 009 033	SCREW #8 X 8MM HEX/MULTI	X	X
18	0349 001 387	SHIELD WIRING HOB 540 BIOS	1	1
19	0160 003 624	ENDCAP CONTROL PANEL RH UC20	1	1
20	0160 003 623	ENDCAP CONTROL PANEL LH UC20	1	1
21	0702 005 001	SCREW TORQ #4 X 12 #6 PAN HEAD	10	10
22	0004 008 434	BURNER BODY ASSY SEMI IGN LP	2	
	0004 008 426	BURNER BODY ASSY SEMI IGN NG		2
23	0004 008 432	BURNER BODY ASSY AUX IGN LP	1	
	0004 008 424	BURNER BODY ASSY AUX IGN NG		1
24	0004 008 435	BURNER BODY ASSY WOK IGN LP	1	
	0004 008 445	BURNER BODY ASSY WOK IGN NG		1
25	0055 007 167	TUBE BURNER U/R ELEC'X R/R	1	1
26	0055 007 165	TUBE BURNER U/R ELEC'X R/F	1	1
27	0055 007 166	TUBE BURNER U/R ELEC'X L/R	1	1
28	0055 007 168	TUBE BURN ELUX WOK UC01	1	1
29	357 0448 15	PLUG SPARK 600 MM ENAMELLED	2	2
30	357 0448 14	PLUG SPARK 850 MM ENAMELLED	1	1
31	357 0406 14	SPARK PLUG 850MM ELUX WOK	1	1
32	0125 008 356	CLIP SPARK PLUG ELUX MO/A 120	4	4
33	0055 007 182	TUBE OVEN SUPPLY 540 BIOS	1	1
34	0131 002 185	NIPPLE INJECTOR 0.95	1	
	0131 002 393	NIPPLE INJ 1.60		1
35	0212 002 090	HOLDER INJECTOR OVEN BIOS	1	1
36	0701 009 027	SCREW #8X 1/2 MUSH #2PH AB PK	2	2
37	0038 006 895	PANEL SIDE UPRIGHT BIOS	2	2
N.I.	0673 001 071	IGN BOX 6P-240V ISPRA BLUE	1	1

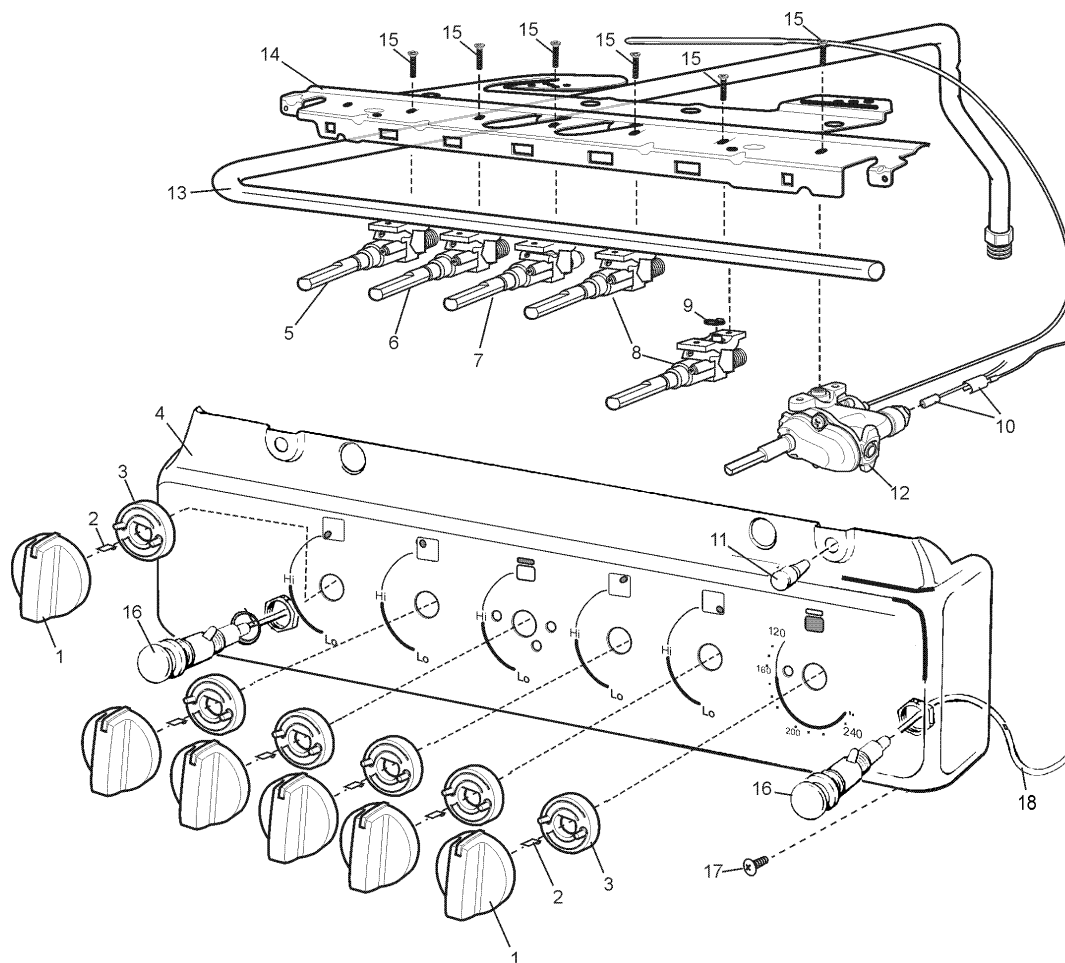


ITEM	PART N°	DESCRIPTION Ex. 5758	LP	NG
1	0602 002 887	HOB S/B ENAM GAS STD BIOS	1	1
2	0004 008 399	BURNER CROWN ELUX RAPID	1	1
3	0004 008 393	BURNER CAP ENAM ELUX RAPID	1	1
4	0004 008 397	BURNER CROWN ELUX AUX	1	1
5	0004 008 391	BURNER CAP ENAM ELUX AUX	1	1
6	0004 008 398	BURNER CROWN ELUX SEMI R	2	2
7	0004 008 392	BURNER CAP ENAM ELEX SEMI R	2	2
8	0127 001 158	TRIVET STD/STD ENAMEL - C/TOP	2	2
9	0038 012 137	PNL CNT S/B SCR 512/517/527 BI	1	1
10	0038 007 968	PANEL S/BACK WIRE COVER UC20	1	1
11	0701 009 033	SCREW #8 X 8MM HEX/MULTI	X	X
12	0349 001 387	SHIELD WIRING HOB 540 BIOS	1	1
13	0160 003 624	ENDCAP CONTROL PANEL RH UC20	1	1
14	0160 003 623	ENDCAP CONTROL PANEL LH UC20	1	1
15	354 3202 01	SCREW TORQ #4 X 12 #6 PAN HEAD	8	8
16	0004 008 434	BURNER BODY ASSY SEMI IGN LP	2	
	0004 008 426	BURNER BODY ASSY SEMI IGN NG		2
17	0004 008 432	BURNER BODY ASSY AUX IGN LP	1	
	0004 008 424	BURNER BODY ASSY AUX IGN NG		1
18	0004 008 437	BURNER BODY ASSY RAP IGN LP	1	
	0004 008 428	BURNER BODY ASSY RAP IGN NG		1
19	0055 007 167	TUBE BURNER U/R ELEC'X R/R	1	1
20	0055 007 165	TUBE BURNER U/R ELEC'X F/R	1	1
21	0055 007 166	TUBE BURNER U/R ELEC'X L/R	1	1
22	0055 007 164	TUBE BURNER U/R ELEC'X L/F	1	1
23	0055 007 182	TUBE OVEN SUPPLY 540 BIOS	1	1
24	0212 002 090	HOLDER INJECTOR OVEN BIOS	1	1
25	0131 002 185	NIPPLE INJECTOR 0.95	1	
	0131 002 181	NIPPLE INJ 1.60		1
26	0019 008 123	KNOB WHITE 600 UPRIGHT	1	1
	29143982	CLIP KNOB (PT OF ITEM 26)	1	1
28	0150 005 259	SCREW M4 X 5 PAN #2PH SMALL HD	2	2
29	0574 001 257	TIMER 60MIN 360 ACTION PEAPSA	1	1
30	0049 001 195	PLUG SPARK 600 MM 260C - ELUX	2	2
31	0049 001 196	PLUG SPARK 850 MM 260C - ELUX	2	2
32	0125 008 356	CLIP SPARK PLUG ELUX MO/A 120	4	4
33	0038 006 895	PANEL SIDE UPRIGHT BIOS	2	2
34	0701 009 027	SCREW #8X 1/2 MUSH #2PH AB PK	2	2
N.I.	0673 001 056	IGN BOX 6P-240V ISPRA BLUE	1	1

MODELS: GUK511WLP*59
GUK512WLP*59

GUK511WNG*59
GUK512WNG*59

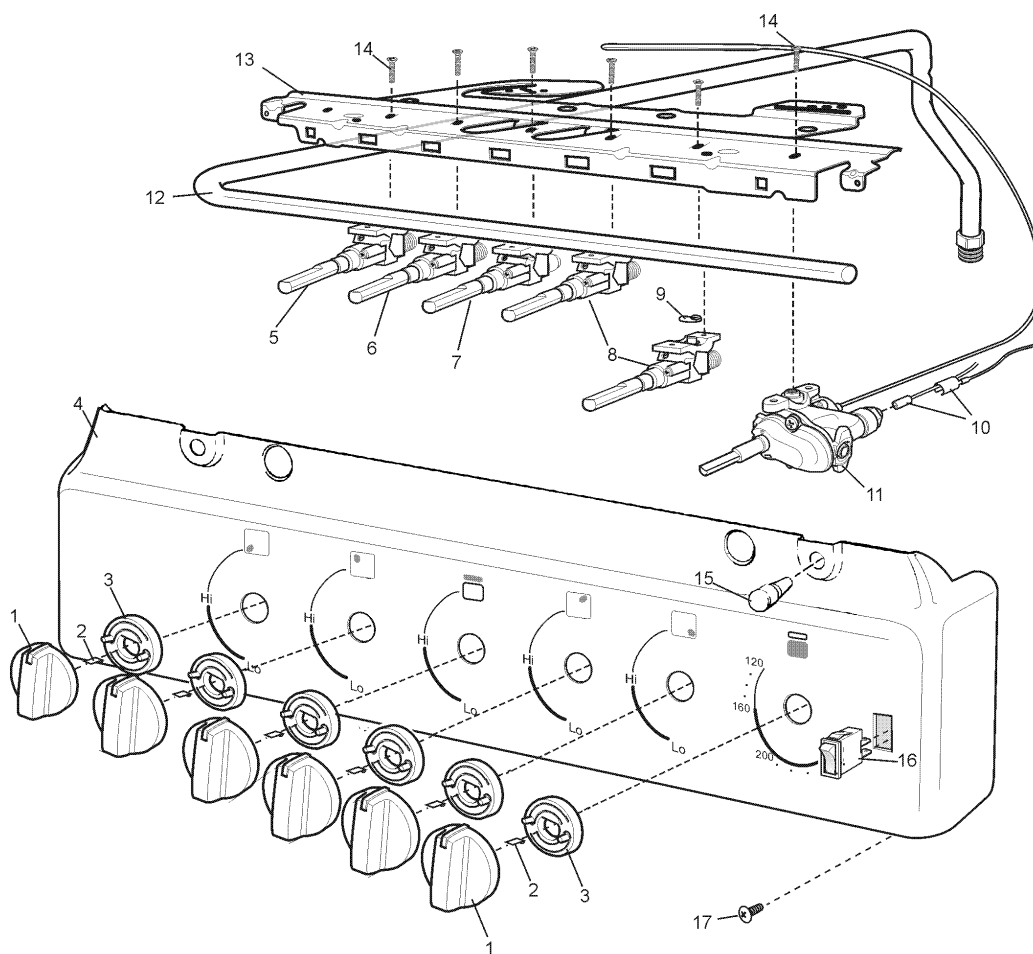
EX. VIEW DRAWING 5752
CONTROL PANEL ASSEMBLY



ITEM	PART N°	DESCRIPTION	Ex. 5752	511	512
1	0019 008 124	KNOB 540 BIOS 7801(INC ITEM 2)		6	6
2	29143982	CLIP KNOB (PT OF ITEM 1)		6	6
3	0200 001 285	SKIRT KNOB GAS CHEF STANDARD 7801		6	6
4	0038 012 079	PNL CNT FRONT SCR 511 BIOS		1	
	0038 012 081	PNL CNT FRONT SCR 512 BIOS			1
5	0654 001 082	VALVE GAS UC20 SDON M12 LGE RE		1	1
6	0654 001 080	VALVE GAS UC20 SDON M12 SML GR		1	1
7	0654 001 062	VALVE GRILL SOURDILLON NG/LP		1	1
8	0654 001 081	VALVE GAS UC20 SDON M12 MED BL		2	2
9	0208 003 419	SEAL VALVE SOURDILLON		5	5
10	0541 001 937	T/COUPLE FSG O/BURN 540 BIOS		1	1
11	0589 001 033	BUMPER STOP GREY UC20		2	2
12	0541 001 246	T'STAT COPRECI 1000 MM COAX.		1	1
13	0336 001 851	PIPE MANIFOLD 540 BIOS		1	1
14	0030 024 190	BRKT GAS VALVE MOUNT 540 COPRE		1	1
15	0750 001 024	SCREW VALVE CLAMP UC20 25MM		6	6
16	0673 001 051	PIEZO IGNITER OVEN UC20		2	2
17	0701 009 027	SCREW #8X 1/2 MUSH #2PH AB PK		2	2
18	0173 020 083	WIRE ASSY H/S 9081-12-20-0300		1	1

MODELS: GUK517WLP*59 GUK517WNG*59

EX. VIEW DRAWING 5755
CONTROL PANEL ASSEMBLY

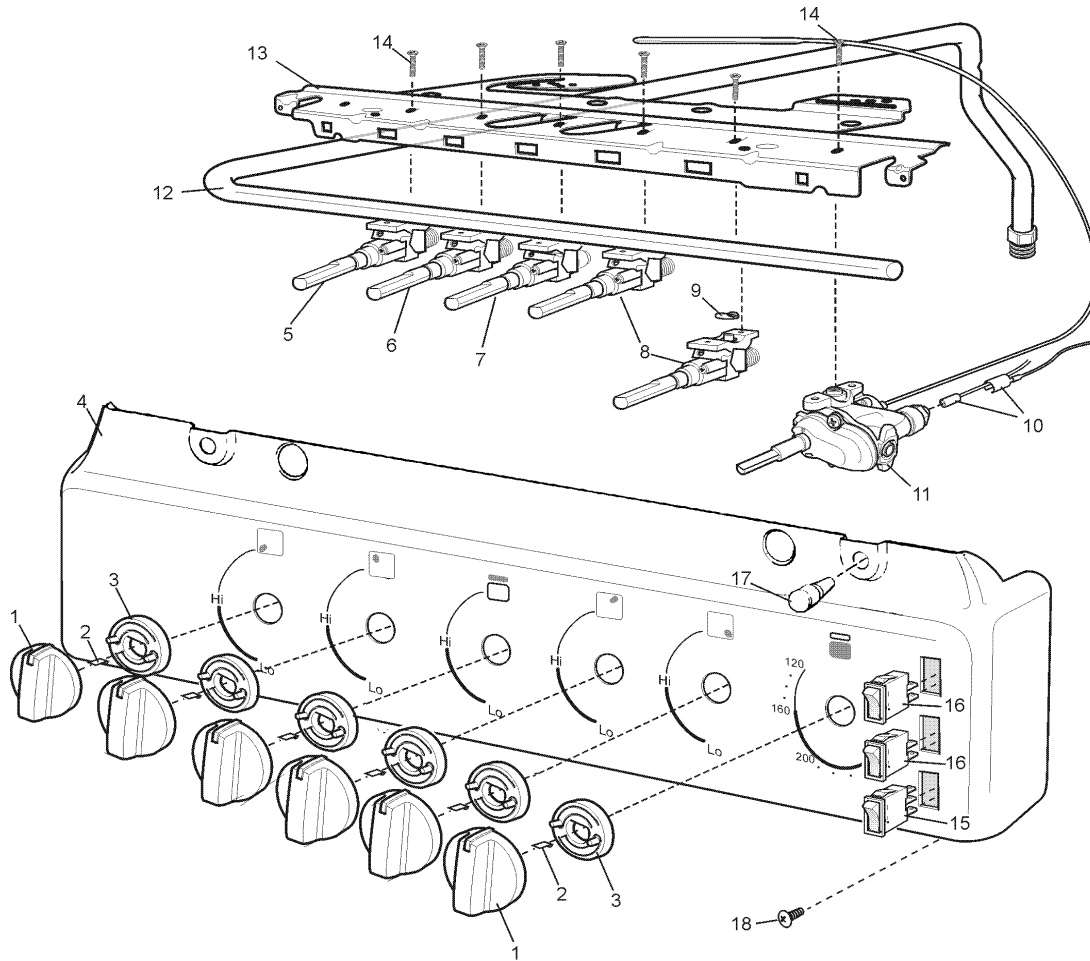


ITEM	PART N°	DESCRIPTION	Ex. 5755	QTY
1	0019 008 124	KNOB 540 BIOS 7801(INC ITEM 2)		6
2	29143982	CLIP KNOB (PT OF ITEM 1)		6
3	0200 001 285	SKIRT KNOB GAS CHEF STANDARD 7801		6
4	0038 012 084	PNL CNT FRONT SCR GUK517 BIOS		1
5	0654 001 083	VALVE GAS UC20 SDN M12 WOK BLK		1
6	0654 001 080	VALVE GAS UC20 SDON M12 SML GR		1
7	0654 001 062	VALVE GRILL SOURDILLON NG/LP		1
8	0654 001 081	VALVE GAS UC20 SDON M12 MED BL		2
9	0208 003 419	SEAL VALVE SOURDILLON		5
10	0541 001 937	T/COUPLE FSG O/BURN 540 BIOS		1
11	0541 001 246	T'STAT COPRECI 1000 MM COAX.		1
12	0336 001 851	PIPE MANIFOLD 540 BIOS		1
13	0030 024 190	BRKT GAS VALVE MOUNT 540 COPRE		1
14	0750 001 024	SCREW VALVE CLAMP UC20 25MM		6
15	0589 001 033	BUMPER STOP GREY UC20		2
16	0534 001 647	SWITCH ELECTRONIC IGNITION		1
17	0701 009 027	SCREW #8X 1/2 MUSH #2PH AB PK		2
N.I.	0212 002 085	HOLDER BATTERY AA 1000/1000MM		1
N.I.	0673 001 074	IGN BOX 6 POINT -1.5 V HMJD		1

MODELS: GUK525WLP*59
GUK527WLP*59

GUK525WNG*59
GUK527WNG*59

EX. VIEW DRAWING 5754
CONTROL PANEL ASSEMBLY



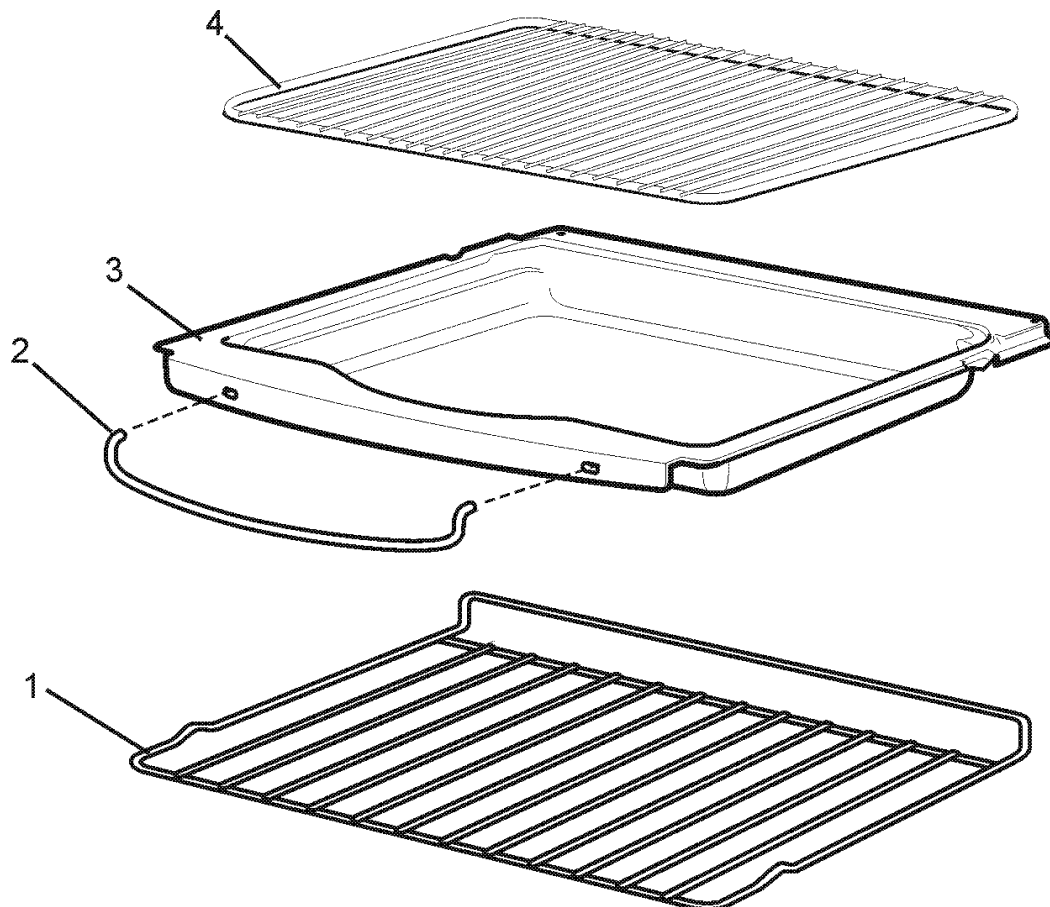
ITEM	PART N°	DESCRIPTION	Ex. 5754	525	527
1	0019 008 124	KNOB 540 BIOS 7801(INC ITEM 2)		6	6
2	29143982	CLIP KNOB (PT OF ITEM 1)		6	6
3	0200 001 285	SKIRT KNOB GAS CHEF STANDARD 7801		6	6
4	0038 012 138	PNL CNT FR SCR 525 BIOS		1	
	0038 012 069	PNL CNT FRONT SCR 527 BIOS			1
5	0654 001 082	VALVE GAS UC20 SDON M12 LGE RE		1	1
6	0654 001 080	VALVE GAS UC20 SDON M12 SML GR		1	1
7	0654 001 062	VALVE GRILL SOURDILLON NG/LP		1	1
8	0654 001 081	VALVE GAS UC20 SDON M12 MED BL		2	2
9	0208 003 419	SEAL VALVE SOURDILLON		5	5
10	0541 001 937	T/COUPLE FSG O/BURN 540 BIOS		1	1
11	0541 001 246	T'STAT COPRECI 1000 MM COAX.		1	1
12	0336 001 851	PIPE MANIFOLD 540 BIOS		1	1
13	0030 024 190	BRKT GAS VALVE MOUNT 540 COPRE		1	1
14	0750 001 024	SCREW VALVE CLAMP UC20 25MM		6	6
15	0534 001 647	SWITCH ELECTRONIC IGNITION		1	1
16	0534 001 648	SWITCH OVEN LIGHT S/POLE WH		2	2
17	0589 001 033	BUMPER STOP GREY UC20		2	2
18	0701 009 027	SCREW #8X 1/2 MUSH #2PH AB PK		2	2
N.I.	0673 001 072	IGN BOX 6P – 240V HMJD		1	1

MODELS:

GUK511WLP*59
GUK512WLP*59
GUK517WLP*59
GUK525WLP*59
GUK527WLP*59

GUK511WNG*59
GUK512WNG*59
GUK517WNG*59
GUK525WNG*59
GUK527WNG*59

EX. VIEW DRAWING 5686
INTERNAL PACK

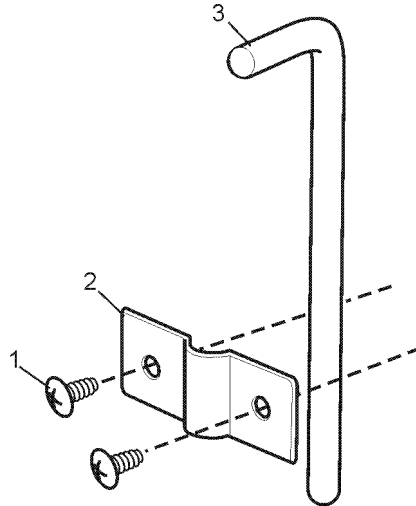


ITEM	PART N°	DESCRIPTION	Ex. 5686	QTY
1	0327 001 221	RACK SHELF OV FRM RUN GAS BIOS		2
2	0050 010 751	HANDLE GRILL DISH 540		1
3	0036 001 072	DISH GRILL ENAM SEP OC98 P S		1
4	0327 001 153	RACK INSERT GRILL DISH		1

MODELS:

GUK511WLP*59	GUK511WNG*59
GUK512WLP*59	GUK512WNG*59
GUK517WLP*59	GUK517WNG*59
GUK525WLP*59	GUK525WNG*59
GUK527WLP*59	GUK527WNG*59

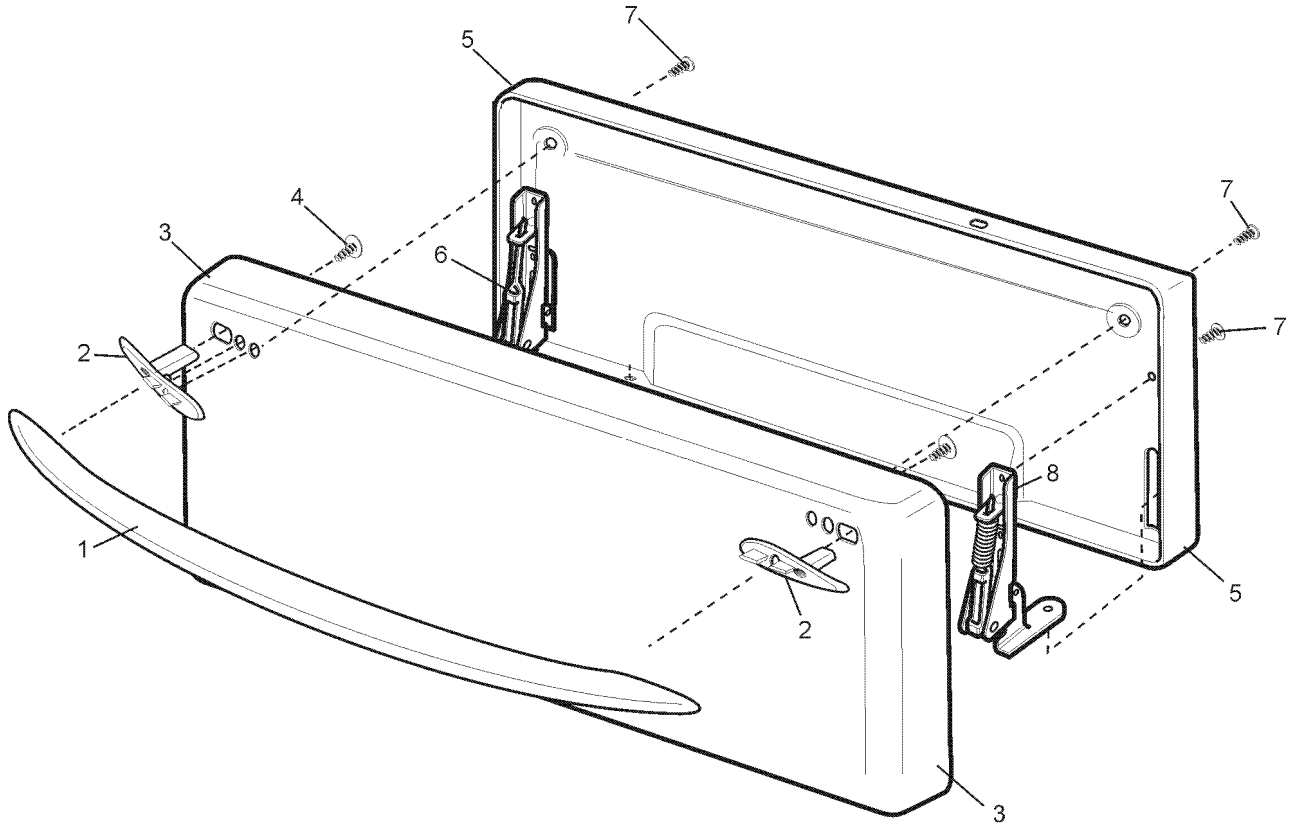
**EX. VIEW DRAWING 5372
INSTALLATION BAG**



ITEM	PART N°	DESCRIPTION	Ex. 5372	QTY
1	0701 009 027	SCREW #8 X 1/2 MUSH #2PH AB BK		2
2	0030 024 158	BRACKET STABILITY BOLT 540		1
3	0116 001 002	BOLT STABILISING 540 UPRIGHTS		1

MODELS: GUK511WLP*59 GUK511WNG*59
 GUK512WLP*59 GUK512WNG*59
 GUK517WLP*59 GUK517WNG*59
 GUK525WLP*59 GUK525WNG*59
 GUK527WLP*59 GUK527WNG*59

**EX. VIEW DRAWING 5756
 GRILL DOOR ASSEMBLY**

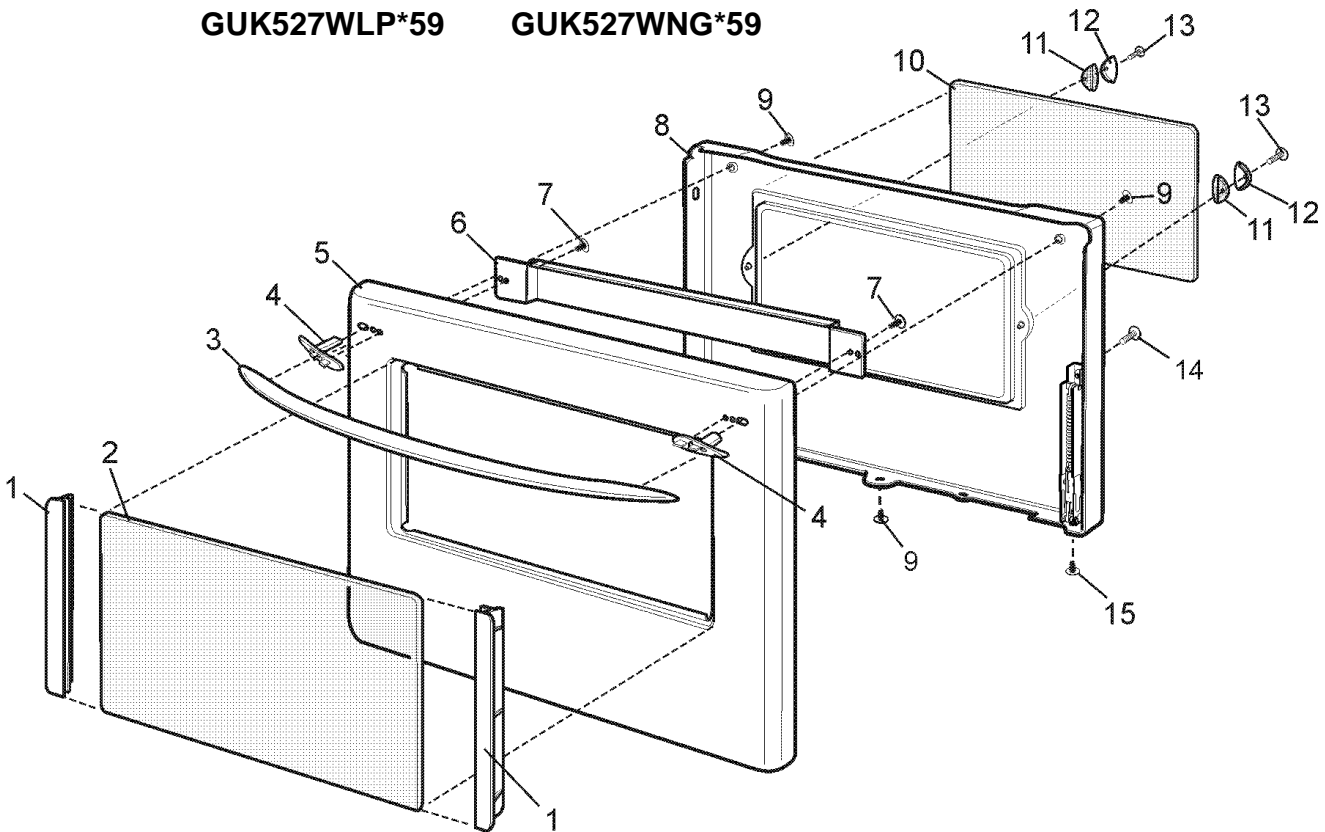


ITEM	PART N°	DESCRIPTION	Ex. 5756	QTY
1	0050 010 690	HANDLE BAR WEST UC20		1
2	N.P.N.	ENDCAP HANDLE WEST UC20		2
3	0038 002 867	PNL OUT GR DR 540 SHALL ENAM		1
4	0701 002 052	SCREW #10 X 12.7 '5/16 HEX		2
5	0038 001 856	PNL IN GR DR ENAM SHALLO		1
6	0045 001 086	HINGE GRILL DOOR FREE 540		1
7	0701 009 027	SCREW #8 X 1/2 MUSH #2PH AB BK		4
8	0045 001 085	HINGE GRILL DOOR SPRUNG 540		1
N.I.	0271 001 348	SPACER HNDL OVEN DOOR 540 FS		2

MODELS: GUK511WLP*59
 GUK512WLP*59
 GUK517WLP*59
 GUK525WLP*59
 GUK527WLP*59

GUK511WNG*59
 GUK512WNG*59
 GUK517WNG*59
 GUK525WNG*59
 GUK527WNG*59

**EX. VIEW DRAWING 5678
 OVEN DOOR ASSEMBLY**



ITEM	PART N°	DESCRIPTION	Ex. 5678	QTY
1	0545 002 401	TRIM DOOR WINDOW A/W UC01		2
2	0255 003 355	GLASS OUTER DOOR A/W UC20 SCR		1
3	0050 010 690	HANDLE BAR WEST UC20		1
4	N.P.N.	ENDCAP HANDLE WEST UC20		2
5	0038 002 866	PANEL OV DR OTR ENAM WES CAR		1
6	0030 024 072	BRKT INSUL O/DOOR SMALL UC01		1
7	0701 009 052	SCREW #10 X 12.7 '5/16 HEX		2
8	0038 001 859	PNL IN OV DR ASS 540 WIND BIOS		1
	0045 001 075	HINGE OVEN DOOR 540 S/F ASSY (PT OF ITEM 8)		2
9	0701 009 027	SCREW #8 X 1/2 MUSH #2PH AB BK		3
10	0255 003 261	GLASS INNER DOOR A/W UC01		1
11	0208 003 428	SEAL CLIP GLASS BLACK UC01		2
12	0005 003 018	CLAMP GLASS S/S O/DOOR UC01		2
13	0750 001 027	SCREW M5 X 16MM S/STEEL		2
14	0750 006 005	SCREW M5 X 9 CSK BLACK ZINC		2
15	0701 002 113	SCREW #6 X 9.5 PAN PHIL ZC		2
N.I.	0271 001 348	SPACER HNDL OVEN DOOR 540 FS		2
N.I.	0030 024 377	BRKT INSUL O/DOOR SMALL 540		2
N.I.	0706 002 110	WASHER AL 3/8X3/16 20G SOFT		2

GAS CONVERSION KITS

0609 100 366 ULP CONVERSION KIT (INC WOK INJECTOR)

PART N°	DESCRIPTION	QTY
0131 001 148	NIPPLE INJECTOR 0.55 (SMALL)	1
0131 001 149	NIPPLE INJECTOR 0.70 (MEDIUM)	2
0131 001 186	NIPPLE INJECTOR 0.90 (LARGE)	1
0131 002 082	NIPPLE INJECTOR 0.82 (OVEN / GRILL)	2
0131 002 100	NIPPLE INJECTOR 1.00 (WOK)	1
0466 001 042	JET BYPASS COPRECI 0.45 LPG	1
0151 001 111	ADAPTOR PRESSURE TEST LP	1
0535 001 016	SHUTTER AERATION GRILL LP BIOS	1
0296 004 103	STICKER GAS TYPE - LPG	1
0701 009 024	SCREW #8 x 8 W/HD POZI NI	1
0616 010 222	INSTRUCTION GAS CONVERSION 540	1

0609 100 369 PROPANE CONVERSION KIT (INC WOK INJECTOR)

PART N°	DESCRIPTION	QTY
0131 002 394	NIPPLE INJECTOR 0.62 (SMALL)	1
0131 002 082	NIPPLE INJECTOR 0.82 (MEDIUM / GRILL)	3
0131 001 185	NIPPLE INJECTOR 0.95 (LARGE / WOK / OVEN)	3
0466 001 042	JET BYPASS COPRECI 0.45 LPG	1
0151 001 111	ADAPTOR PRESSURE TEST LP	1
0535 001 016	SHUTTER AERATION GRILL LP BIOS	1
0296 004 101	STICKER GAS TYPE – PROPANE	1
0701 009 024	SCREW #8 x 8 W/HD POZI NI	1
0616 010 222	INSTRUCTION GAS CONVERSION 540	1

0609 100 367 NG CONVERSION KIT (INC WOK INJECTOR)

PART N°	DESCRIPTION	QTY
0131 002 100	NIPPLE INJECTOR 1.00 (SMALL)	1
0131 002 135	NIPPLE INJECTOR 1.35 (MEDIUM)	2
0131 001 155	NIPPLE INJECTOR 1.50 (GRILL)	1
0131 001 181	NIPPLE INJECTOR 1.60 (LARGE / OVEN)	2
0131 002 403	NIPPLE INJECTOR 1.75 (WOK)	1
0466 001 041	JET BYPASS COPRECI 0.73 NG	1
0294 001 032	REGULATOR GAS NG INTEG TEST PT	1
0535 001 015	SHUTTER AERATION GRILL NG BIOS	1
0296 004 100	STICKER GAS TYPE – NG	1
0701 009 024	SCREW #8 x 8 W/HD POZI NI	1
0616 010 222	INSTRUCTION GAS CONVERSION 540	1

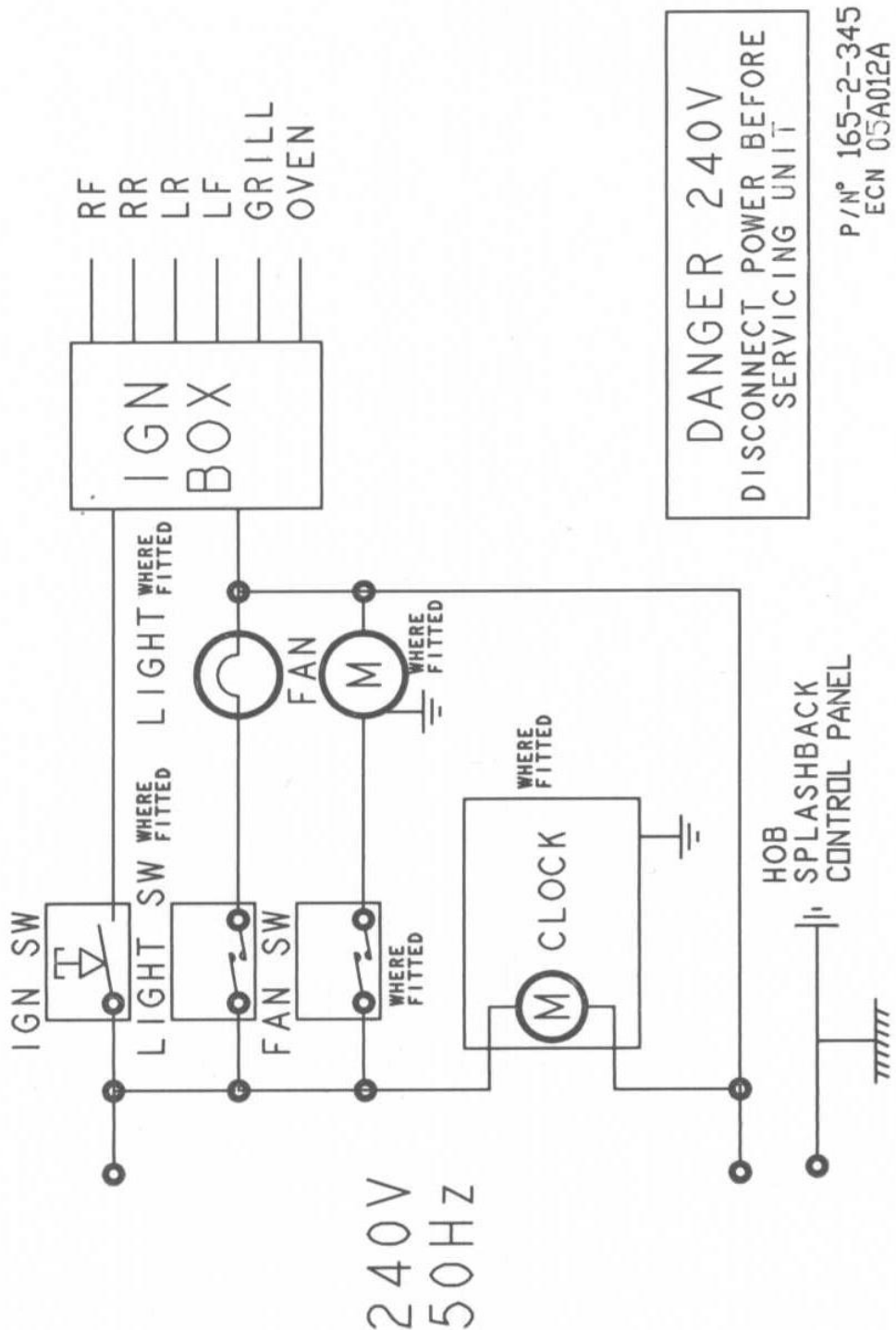
NEW ZEALAND GAS CONVERSION KIT

0609 100 370 ULP CONVERSION KIT (INC WOK INJECTOR)

PART N°	DESCRIPTION	QTY
0131 001 148	NIPPLE INJECTOR 0.55 (SMALL)	1
0131 001 149	NIPPLE INJECTOR 0.70 (MEDIUM)	2
0131 001 186	NIPPLE INJECTOR 0.90 (LARGE)	1
0131 002 082	NIPPLE INJECTOR 0.82 (OVEN / GRILL)	2
0131 002 100	NIPPLE INJECTOR 1.00 (WOK)	1
0466 001 042	JET BYPASS COPRECI 0.45 LPG	1
0151 001 111	ADAPTOR PRESSURE TEST LP	1
0535 001 016	SHUTTER AERATION GRILL LP BIOS	1
0296 004 103	STICKER GAS TYPE - LPG	1
0701 009 024	SCREW #8 x 8 W/HD POZI NI	1
0616 010 223	NZ INSTRUCTION GAS CONVERSION 540	1

MODELS: GUK517WLP*59 GUK517WNG*59
 GUK525WLP*59 GUK525WNG*59
 GUK527WLP*59 GUK527WNG*59

CIRCUIT DIAGRAM
 0165-002-345



WARNING

IT IS ILLEGAL FOR PERSONS OTHER THAN LICENSED ELECTRICAL MECHANICS OR PERSONS AUTHORIZED BY LEGISLATION TO WORK ON THE FIXED WIRING OF ANY ELECTRICAL INSTALLATION. PENALTIES FOR CONVICTION ARE SEVERE.

IMPORTANT SAFETY NOTICE

This diagram has been prepared for use by electrically qualified service technicians. Electrolux cannot be held responsible for the interpretation of its service publications nor for any injury or damage that may occur in connection with their use.