

Electrolux

ELECTROLUX HOME PRODUCTS PTY LTD

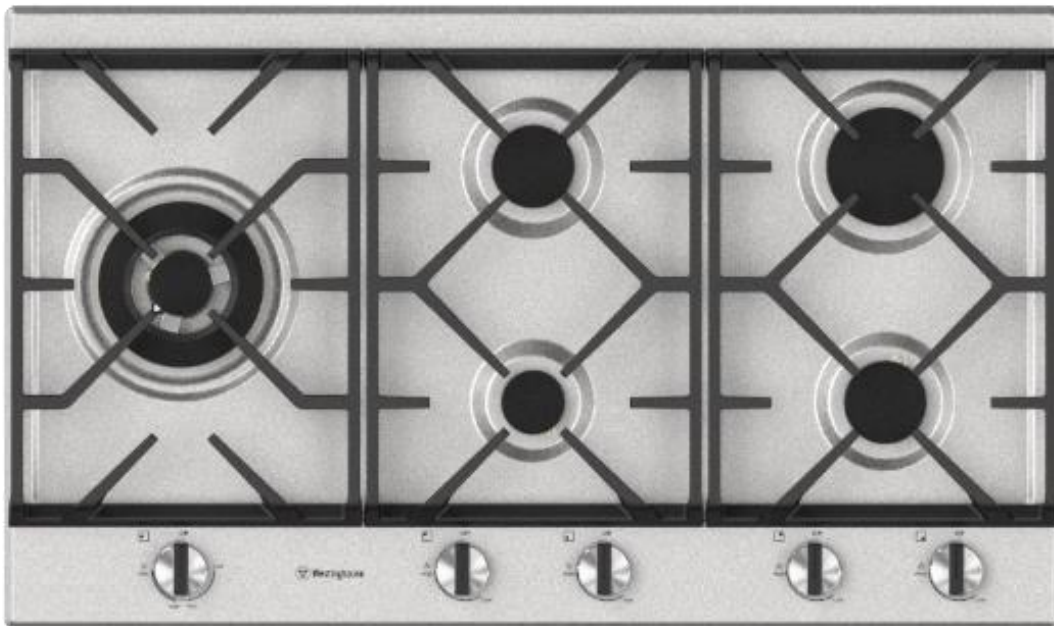
ABN 51 004 762 341

Technical Publication Nº CG1174.docx

Issue: 1

Date: 9/20

WESTINGHOUSE GAS COOKTOPS



MODEL

WHG958SC

PNC

94325415400

MAINTENANCE LEVEL CHANGE SUMMARY

ML	Description	Product Release Date
00		03/20

MODEL NUMBER IDENTIFICATION

FREE-STANDING COOKERS										
W Brand	B Construction	E Oven Fuel Type	S Added Features	# Width	# Hob Type	# Specification Level	W Colour	A Series	R Side Opening Door Type	G Gas Type
W = Westinghouse C = Chef E = Electrolux Z = Zanussi S = Simpson	E = Elevated Cooker F = Front Control Freestanding Cooker L = Rear Control Freestanding Cooker	E = Electric G = Gas	Leave blank for all except the below: S = Side Opening Door P = Pyro	5 = 50 - 54cm 6 = 60 - 60cm 7 = 70 - 70cm 8 = 80 - 80cm 9 = 90 - 90cm 1 = 100cm and above	IF FUEL TYPE = G 0 = No wok 1 = Wok 2 = Radiant Coil 3 = Solid 4 = Ceramic 5 = Induction 6 = Dual fuel	Even = GIO, Odd = Sep Grill 0 = Lowest Spec 1 2 3 4 5 6 7 8 9 = Highest Spec	W = White S = Stainless Steel B = Black	A = SAFR B = 1st series change C = 2nd series change etc	L = Left Hand Opening R = Right Hand Opening	LP = Liquefied Petroleum NG = Natural Gas
BUILT-IN OVENS										
W Brand	B Construction	E Oven Fuel Type	S Added Features	# Width	# Cavity Type	# Specification Level	W Colour	A Series	G Gas Type	R Side Opening Door Type
W = Westinghouse C = Chef E = Electrolux Z = Zanussi S = Simpson	V = Built-in oven	E = Electric G = Gas	Leave blank for all except the below: S = Side Opening Door M = Microwave P = Pyro	3 = 30cm - 30cm 4 = 40cm - 40cm 5 = 50cm - 50cm 6 = 60cm - 60cm 7 = 70cm - 70cm 8 = 80cm - 80cm 9 = 90cm - 90cm 1 = 100cm - 110cm 2 = 120 cm +	1 = Single 2 = Duo 3 = Double 4 = Combo Oven 5 = Sep grill and bench 6 = Sep grill wall oven 7 = Compact	0 = Lowest Spec 1 2 3 4 5 6 7 8 9 = Highest Spec	W = White S = Stainless Steel B = Black	A = SAFR B = 1st series change C = 2nd series change etc	LP = Liquefied Petroleum NG = Natural Gas	L = Left Hand Opening R = Right Hand Opening
BUILT-IN HOBS										
W Brand	B Construction	# Hob Type	# Width	# No. Burners/Zones	# Specification Level	W Colour	A Series			
W = Westinghouse C = Chef E = Electrolux Z = Zanussi S = Simpson	H = Hob	IF ELECTRIC HOB: S = Solid C = Ceramic I = Induction R = Radiant Coil M = Mix IF GAS HOB: G = Gas D = Dual Fuel	3 = 30cm or below 4 = 40cm - 40cm 5 = 50cm - 50cm 6 = 60cm - 60cm 7 = 70cm - 70cm 8 = 80cm - 80cm 9 = 90cm - 90cm 1 = 100cm - 110cm 2 = 120 cm and above	1 2 3 4 5 6 7 8 9	0 = Lowest Spec 1 2 3 4 5 6 7 8 9 = Highest Spec	W = White S = Stainless Steel B = Black	A = SAFR B = 1st series change C = 2nd series change etc			

CONTENTS

MAINTENANCE LEVEL CHANGE SUMMARY	2
MODEL NUMBER IDENTIFICATION.....	2

EXPLODED VIEWS & PARTS LISTS

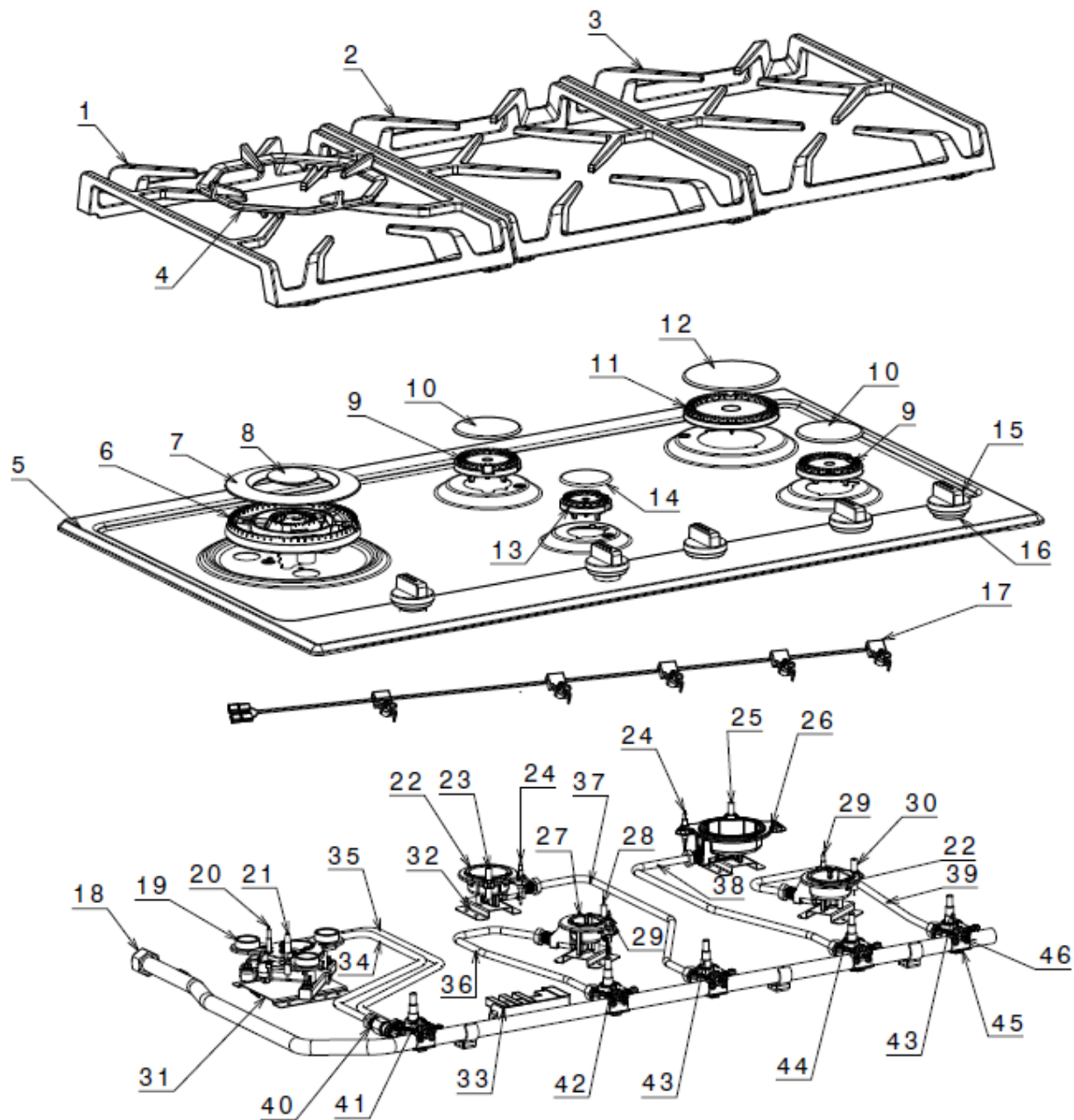
MODEL: WHG958SC	4
COOKTOP	4
MODEL: WHG958SC	7
INSTALLATION.....	7
MODEL: WHG958SC	8
CONVERSION KIT.....	8
MODEL: WHG958SC	9
CIRCUIT DIAGRAM.....	9

NOTE: In Parts Listings

N.I.	=	Not Illustrated
N.P.A.	=	No Part Available
N.P.N.	=	Not Used on this Model

MODEL: WHG958SC

COOKTOP



ITEM	PART N°	DESCRIPTION	QTY
1	A18273201	90CM CAST TRIVET LH	1
2	A18273301	90CM CAST TRIVET MID	1
3	A18273401	90CM CAST TRIVET RH	1
4	305638800	WOK TRIVET	1
5	A18271307	90CM TOP PLATE LASER ETCHED	1
6	A16908401	BIC BURNER CROWN 17/19 MJ	1
7	A17323201	BIC BURNER CAP OUTER	1
8	A16937101	BIC BURNER CAP INNER	1
9	354013712	BURNER SEMIRAPID BUNER	2
10	354013917	BURNER CAP SR MATT B ENAMEL	2
11	354013606	BURNER CROWN RAPID CYLINDER	1
12	354013916	BURNER CAP RAPID MATT B ENAMEL	1
13	354013802	BURNER CROWN AUX CYLINDER	1
14	354013918	BURNER CAP AUX MATT B ENAMEL	1
15	A17522202	ASPIRE KNOB ASSY FC SS	5
16	A18543802	ASPIRE GROMMET FC SS	5
17	A11892005	SWITCH HARNESS 90CM	1
18	A18271601	ASPIRE 90CM GAS RAIL	1
19	A16906901	BIC BURNER BODY 19MJ	1
20	A17347701	BIC THERMOCOUPLE	1
21	A17376601	BIC SPARK PLUG	1
22	A04856301	BURNER BODY ASSY S/RAP IGN NG	2
23	A01330606	SPARK PLUG 400MM	1
24	A04726116	THERMOCOUPLE, ORKLI, 500MM	2
25	A01330612	PLUG SPARK 900 MM 260C - ELUX	1
26	A04856401	BURNER BODY ASSY RAP IGN NG	1
27	A04856101	BURNER BODY ASSY AUX IGN NG	1
28	A01330603	PLUG SPARK 250 MM ENAMELLED	1
29	A04726114	THERMOCOUPLE, ORKLI, 275MM	2
30	A01330609	SPARK PLUG 600MM	1
31	A18271401	BIC BRACKET SS	1
32	A12940702	SP BURNER BRACKET 8.7MM	4
33	A02146801	SPARK GENERATOR 5 OUTPUTS	1
34	A18545301	TUBE ASSY 75/90 INNER	1
35	A18545401	TUBE ASSY 75/90 OUTER	1
36	A13119001	TUBE ASSY MF	1
37	A13119101	TUBE ASSY MR	1
38	A13119601	TUBE ASSY RR	1
39	A13118701	TUBE ASSY RF	1
40	305591600	VALVE ADAPTOR COPRECI INNER	1
41	305589700	DUAL VALVE COPRECI	1
42	A05396317	SGL VALVE AUX GN	1
43	A05396318	SGL VALVE S/RAP BL	2
44	A05396319	SGL VALVE RAP RD	1
45	357733402	SADDLE STRAP BRACKET	5
46	305338501	SCREW M4:16	5

N.I.	305429200	CABLE - ELECT SUPPLY IGNITE	1
N.I.	A02121801	TERMINAL BLOCK	1
N.I.	305372169	WIRE ASSY	1
N.I.	A05614401	SPRING NIP	5
N.I.	A18565102	RUBBER FOOT CAST TRIVET	12
N.I.	305338602	SCREW M4:8	8
N.I.	305338604	SCREW M3.5:6	5
N.I.	305309701	SCREW ST4.2:6.5	12
N.I.	202855101	RETAINER-WIRE ATTACHE	1
N.I.	A00338701	REGULATOR GAS NG	1
N.I.	356518905	SEAL MASTIC	1

MODEL: WHG958SC

INSTALLATION

A00561202	CLAMP	6
305376102	SCREW (ST4.2*18F)	6
0115009011	WASHER SEALING	1
305458400	ELBOW GAS INLET 1/2 MALE/MALE	1

MODEL: WHG958SC

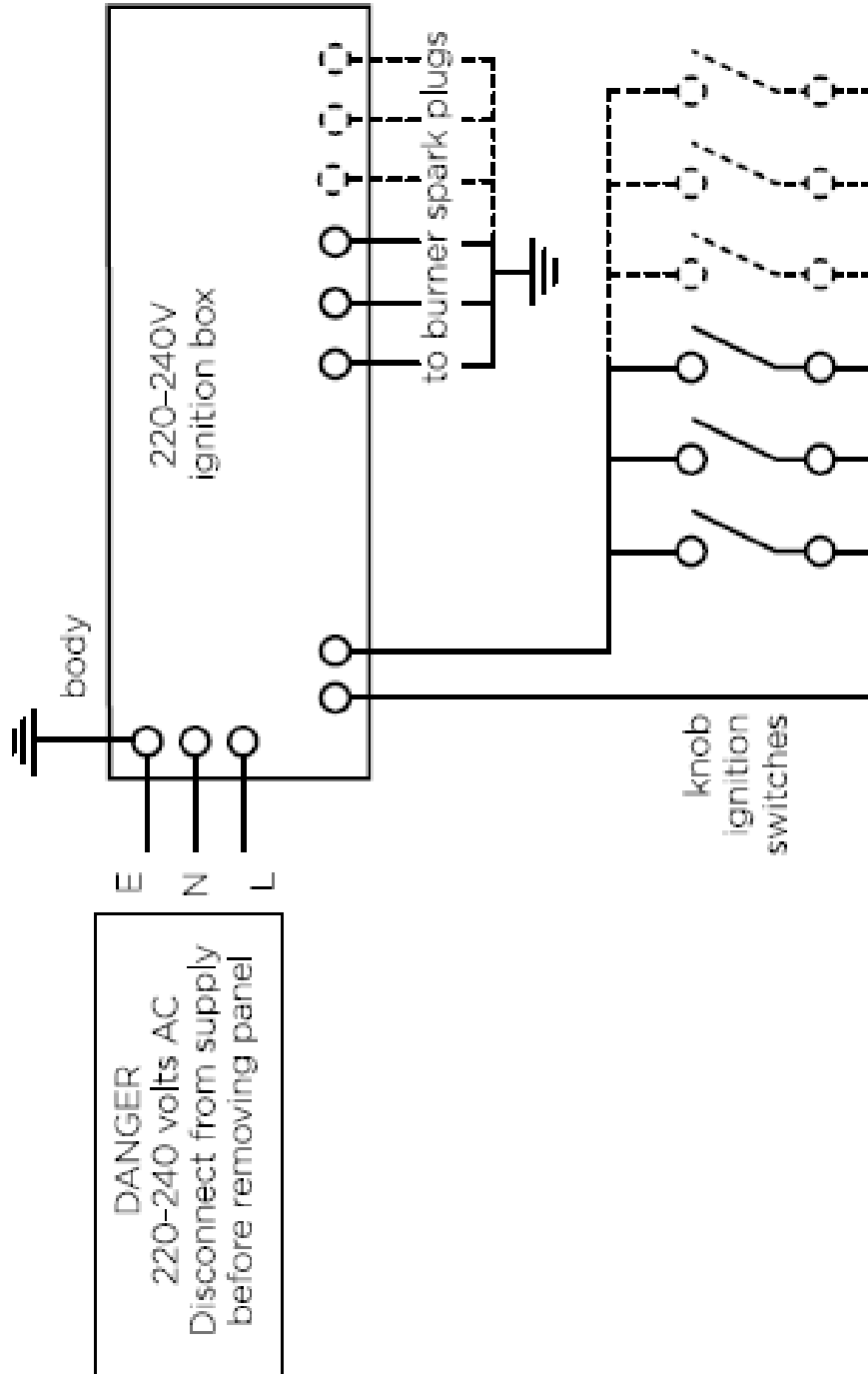
CONVERSION KIT

305387308	KIT LP CONVERSION CTOP
ES6197	KIT CONVERSION NG 19MJ

BURNER TYPE	NATURAL GAS (NOMINAL TEST POINT PRESSURE: 1.00KPA)		LPG (NOMINAL TEST POINT PRESSURE: 2.60KPA)	
	INJECTOR SIZE (MM)	GAS CONSUMPTION (MJ/H)	INJECTOR SIZE (MM)	GAS CONSUMPTION (MJ/H)
Small burner	1.00	5.1	0.55	4.0
Medium burner	1.35	9.0	0.70	6.5
Large burner	1.60	12.1	0.90	10.7
Wok burner	1.75	14.4	1.00	13.0
Dual Wok burner	0.96 x 4	17.0	0.52 x 1 + 0.58 x 3	17.0
Dual Wok burner	0.96 + 1.07 x 3	19.0	0.52 x 1 + 0.58 x 3	17.0

MODEL: WHG958SC

CIRCUIT DIAGRAM



WARNING
IT IS ILLEGAL FOR PERSONS OTHER THAN LICENSED ELECTRICAL MECHANICS OR PERSONS AUTHORISED BY LEGISLATION TO WORK ON THE FIXED WIRING OF ANY ELECTRICAL INSTALLATION. PENALTIES FOR CONVICTION ARE SEVERE.

IMPORTANT SAFETY NOTICE
This diagram has been prepared for use by electrically qualified service technicians. Electrolux cannot be held responsible for the interpretation of its service publications nor for any injury or damage that may occur in connection with their use.

Publication Version Control Chart		
Issue Number	Reason	Date
1	Original Document	03/20