



Electrolux

ELECTROLUX HOME PRODUCTS PTY LTD
ABN 51 004 762 341

Technical Publication N° CE724.docx

Issue: 1
Date: 4/14

WESTINGHOUSE

ELECTRIC
UPRIGHT COOKERS

MODEL:
WLE522WA
PNC 94000179909

MAINTENANCE LEVEL CHANGE SUMMARY	
---	--

09	Seal and Front Frame.
-----------	-----------------------

First Built Dates:	
---------------------------	--

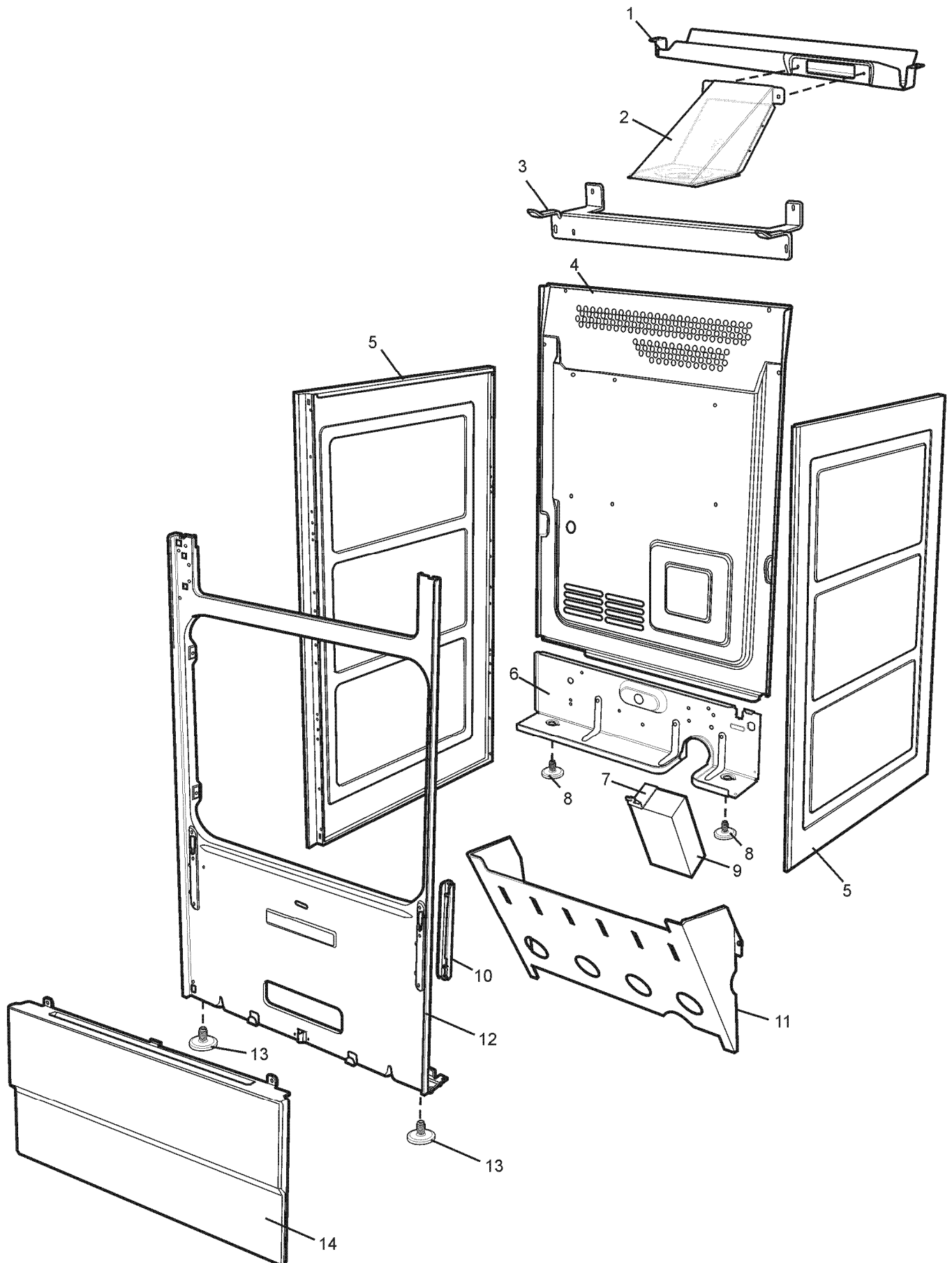
WLE522WA	5/14
-----------------	-------------

CONTENTS	PAGE N°
FIRST BUILT DATES	2
CONTENTS	3
CHASSIS ASSEMBLY	4 - 5
CONTROL PANEL ASSEMBLY	6 - 7
OVEN ASSEMBLY	8 - 9
HOB ASSEMBLY	10 - 11
OVEN DOOR ASSEMBLY	12
INTERNAL PACK	13
CIRCUIT DIAGRAM	14

NOTE: In Parts Listings

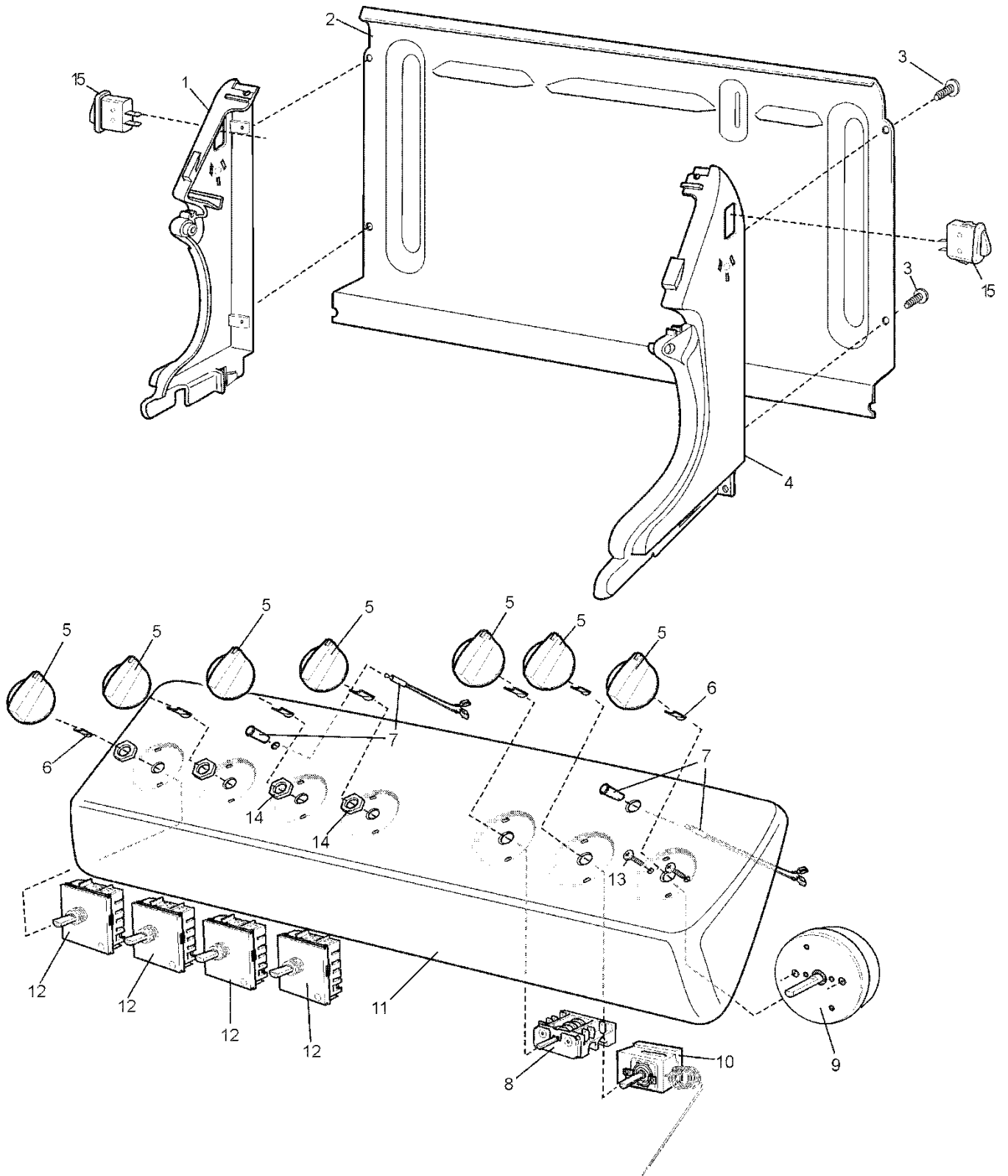
N.I. = Not Illustrated
N.P.A. = No Part Available
N.P.N. = Not Used on this Model

EX. VIEW DRAWING 7947
CHASSIS ASSEMBLY



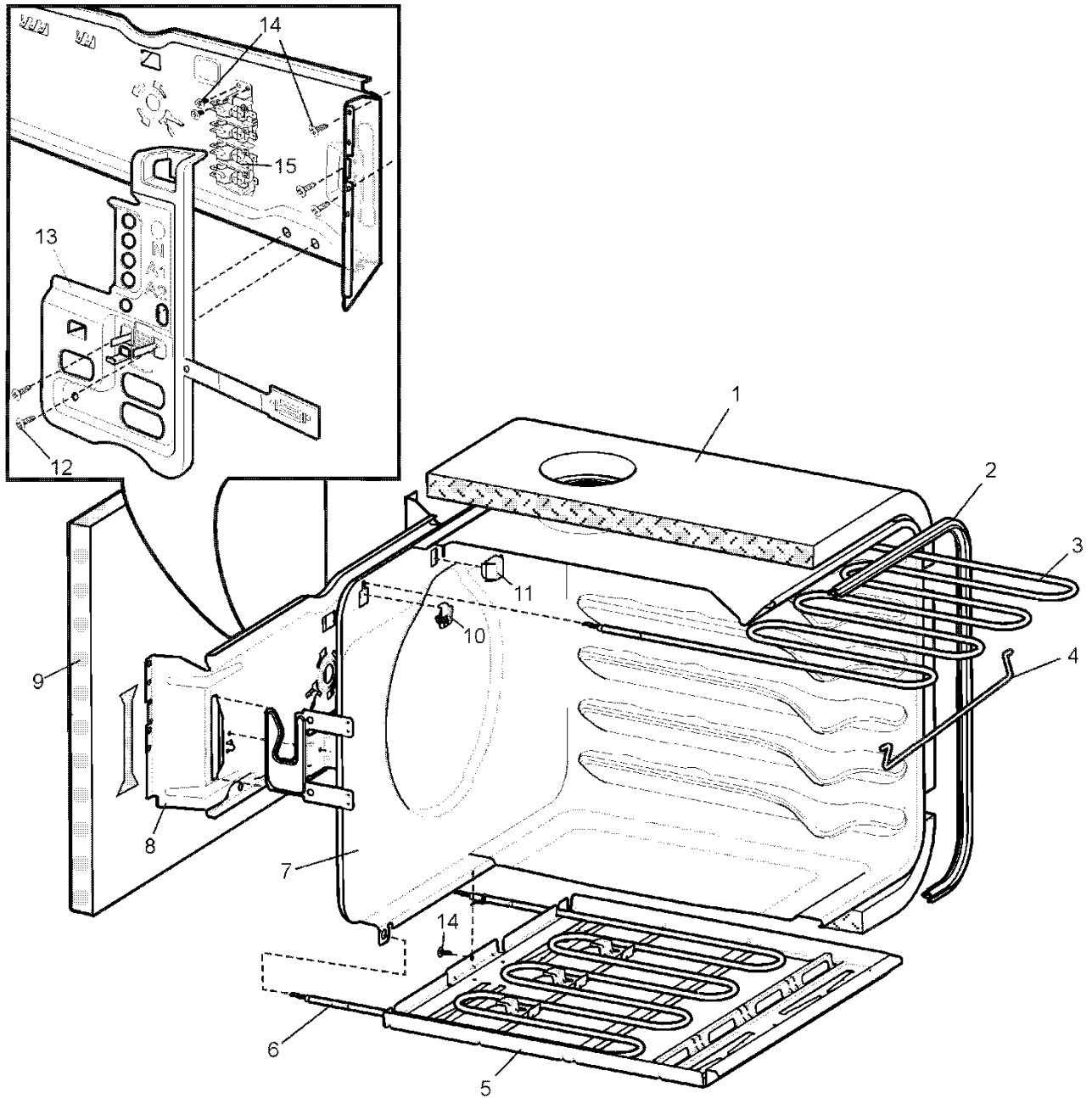
ITEM	PART N°	DESCRIPTION	Ex. 7947	QTY
1	0048 004 828	CHANNEL SPILL VENT 540 GIO SOL		1
2	0559 001 114	DUCT OVEN ASSY 540 GIO ELEC		1
3	0030 024 403	BRACKET HOB SUPPORT FRESCO		1
4	0038 008 102	PANEL COVER WIRE ELEC 540FC		1
5	0038 008 150	PANEL SIDE WHITE FRESCO		2
6	0038 016 754	PANEL LOWER BRACE		1
7	0030 024 429	BKT COUNTER WEIGHT 50 HI FRES		2
8	0523 001 040	FOOT LEVELLING UPRIGHT		2
9	0102 008 098	BLOCK C/ WEIGHT 50MM FRSCO		2
10	0133 002 235	COUNTER SUPPORT FRESCO		2
11	0349 001 375	SHIELD WIRING 540 GIO BIOS		1
12	808220702	F/FRONT PAINT 540 GIO FRESCO		1
13	0523 001 032	FOOT LEVELLING 540 UPRIGHTS		2
14	0038 016 894	PANEL KICK 540 GIO WHT FRESCO		1
N.I.	ES5567	FUSE 15A 250V SLOW CERAMIC 3AB		1
N.I.	0615 001 038	FUSE ASSY 600UP (INC ITEM ES5567)		1
N.I.	0701 009 051	SCREW #8 x 1/2 MUSH #2PH AB BK		X
N.I.	0701 009 033	SCREW #8 x 8MM HEX/MULTI		X
N.I.	0022 041 155	PLATE COVER TERMINAL BLOCK		1
N.I.	0022 041 156	PLATE ANTI TILT ASSY 540 BIOS		1
N.I.	0271 001 271	SPACER FOOT UC20		2

EX. VIEW DRAWING 8109
CONTROL PANEL ASSEMBLY

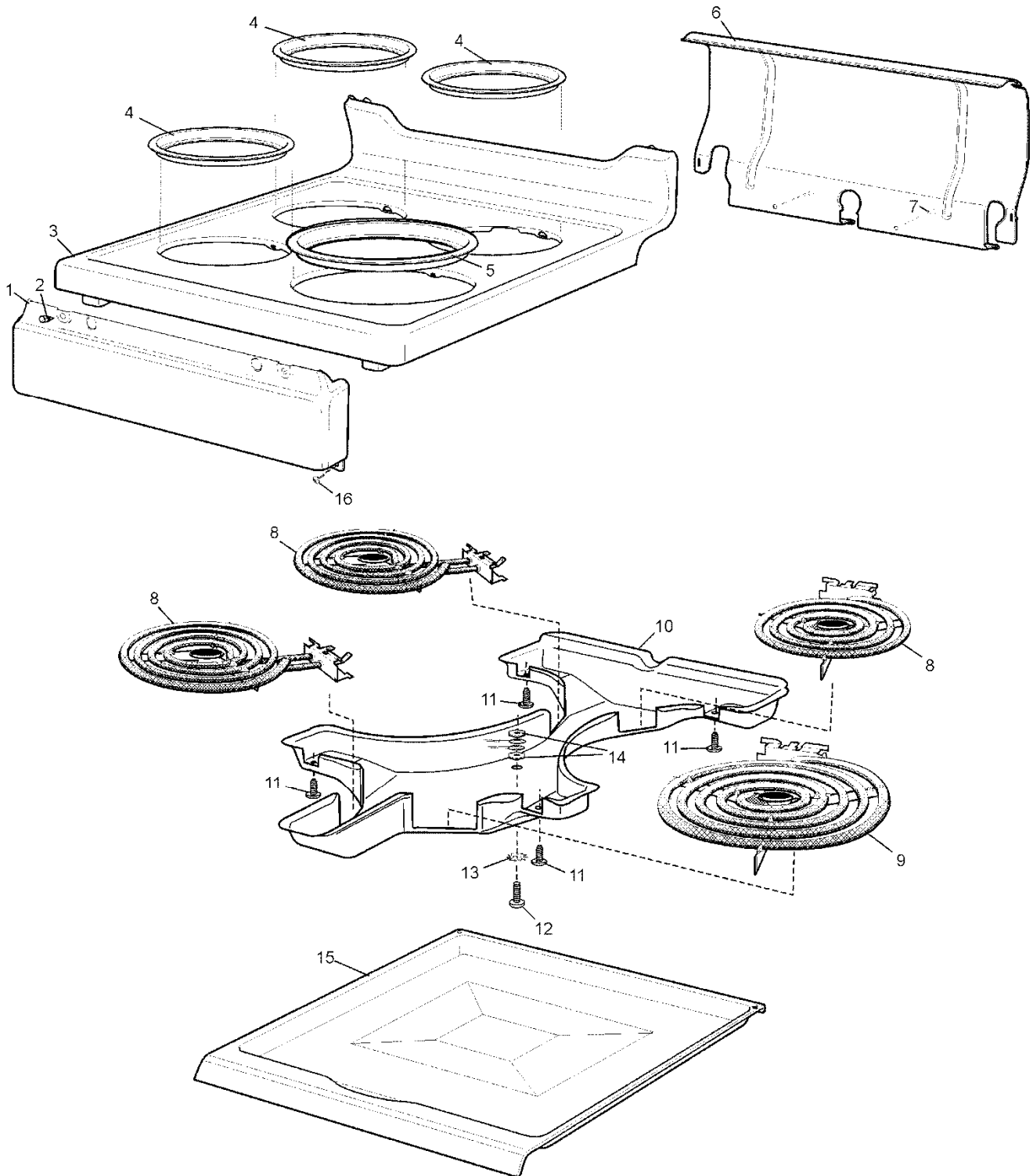


ITEM	PART N°	DESCRIPTION Ex. 8109	QTY
1	0160 003 638	ENDCAP REAR CONT PANEL GPO LHS	1
2	0038 007 968	PANEL S/BACK WIRE COVER	1
3	0701 009 033	SCREW #8 X 8MM HEX/MULTI	2
4	0160 003 637	ENDCAP REAR CONT PANEL GPO RHS	1
5	0019 008 183	KNOB WEST 540 WHT RC ELEC FRES	7
6	N.P.A.	CLIP KNOB	7
7	0609 100 269	LIGHT INDICATOR / LENS	2
8	0534 001 742	SWITCH MULTI 3	1
9	0574 001 283	TIMER 60 MINUTE WESTLAKE	1
10	0541 001 931	THERMOSTAT OVEN - EGO	1
11	0038 012 753	PNL CNT S/B SCR WLE522WA NZ540	1
12	0534 001 654	SWITCH INF/HEAT MP-101-EA OC98	4
13	0150 005 259	SCREW M4 X 5 PAN #2PH SMALL HD	6
14	0065 009 209	NUT METRIC M10 X 0.75	4
15	0534 001 730	SWITCH ROCKER D11H22909D	2

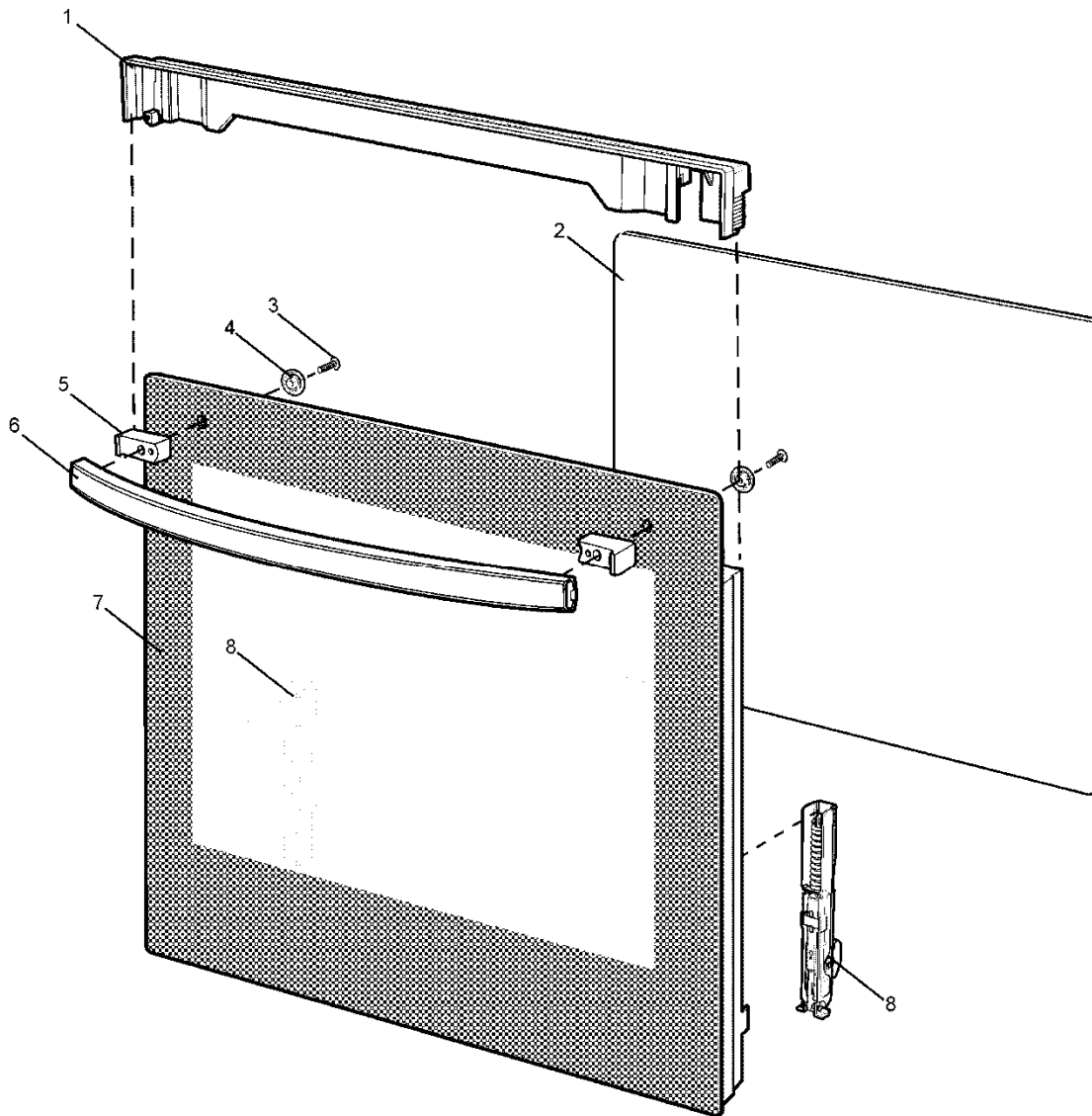
EX. VIEW DRAWING 5694
OVEN ASSEMBLY



ITEM	PART N°	DESCRIPTION	Ex. 5694	QTY
1	0374 005 259	INSULATION OVEN WRAP ELEC BIOS		1
2	808511801	SEAL OVEN MODULAR PROFILE		1
3	0122 004 543	ELEMENT GRILL BOOST 3000W – BIOS (NOT AS ILLUSTRATED)		1
4	0012 018 695	SUPPORT ELEMENT GRILL BIOS		1
5	0028 025 418	COVER CLEAN HEAT BIOS		1
6	0122 004 587	ELEMENT 1000W CL/HEAT + EARTH		1
7	N.P.A.	OVEN ENAM EL FRM CONV N/L BIOS		1
8	0489 001 170	BRACE OVEN REAR 540 BIOS		1
9	0374 005 260	INSULATION OVEN BACK BIOS		1
10	0125 008 345	CLIP ELEMENT MOUNT OC98/UC20		4
11	0125 008 371	CLIP THERMOSTAT BIOS		1
12	0701 002 133	SCREW #6 3.5X28 HILO PAN PH		2
13	0349 001 376	SHEILD WIRING TERMINAL BIOS		1
14	0701 009 033	SCREW #8 X 8MM HEX/MULTI		X
15	0003 012 590	BAR CONNECTOR W/EARTH BIOS		1
N.I.	0541 001 258	THERMAL CUTOUT 190 DEG N.C.		1

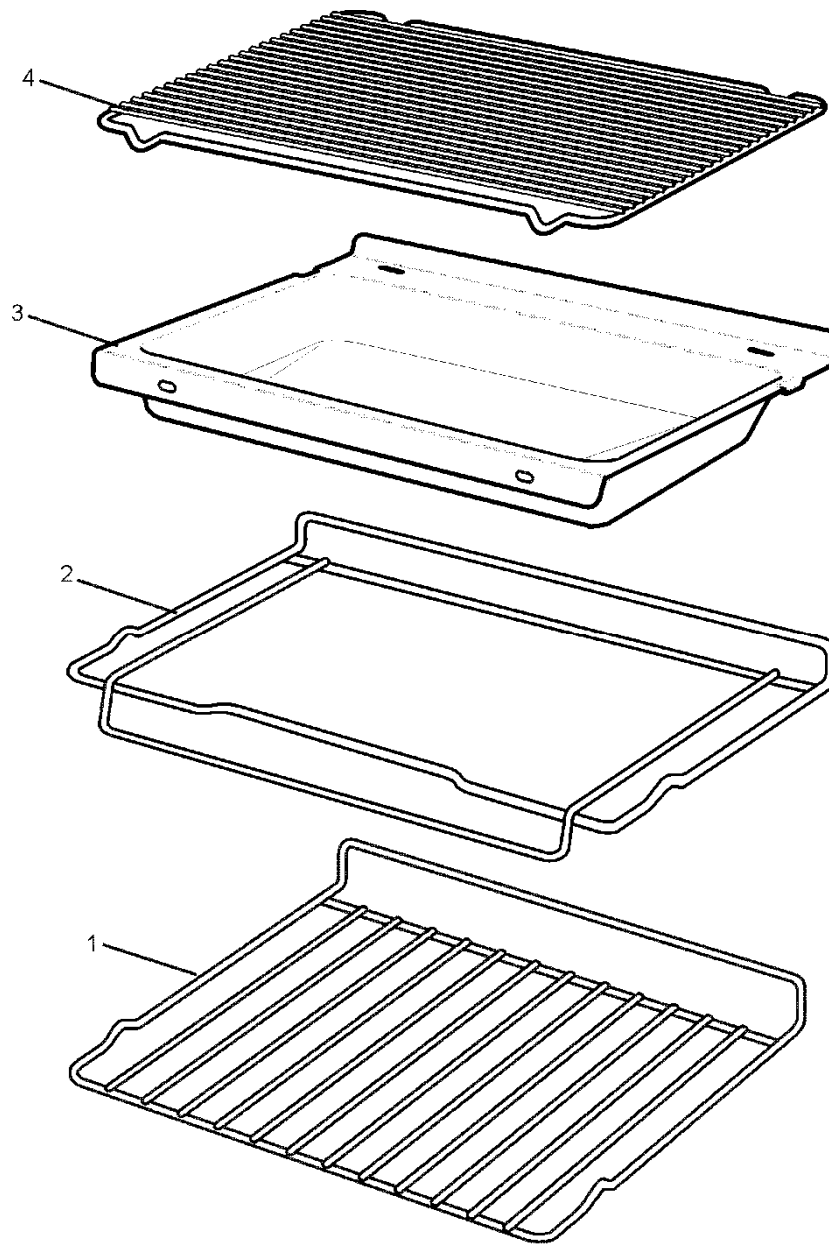


ITEM	PART N°	DESCRIPTION Ex 5687	QTY
1	0038 012 797	PANEL FRONT PLAIN ENAM WLE522	1
2	0589 001 033	BUMPER STOP GREY UC20	2
3	0602 002 933	HOB S/BACK ENAM RAD FRESCO	1
4	0545 002 975	TRIM H/PLATE SUPPORT SMALL NA	3
5	0545 002 481	TRIM H/PLATE SUPPORT LARGE NA	1
6	0349 001 395	SHIELD WIRING HOB INTERIM FRES	1
7	0701 009 033	SCREW #8 X 8MM HEX/MULTI	4
8	0122 004 509	ELEMENT RAD SML 6MM 1250W ZIM	3
9	0122 004 510	ELEMENT RAD LRG 6MM 2050W ZIM	1
10	0028 025 314	COVER WIRING NAT RAD S/B UC20	1
11	0701 009 022	SCREW #8 X 12 W/HD PH NIB ZCY	4
12	0700 027 013	SCREW 3/16BSW X 1' PAN #2PH NI	1
13	0706 009 002	WASHER S/P INT 3/16 ZC	1
14	0705 002 053	NUT HEX 3/16 BSW STEEL NI	2
15	0037 011 532	TRAY SPILL 540R GIO ENAM FRSCO	1
16	0701 009 027	SCREW #8 X 1/2 MUSH #2PH AB PK	2
N.I.	0038 007 968	PANEL S/BACK WIRE COVER	1

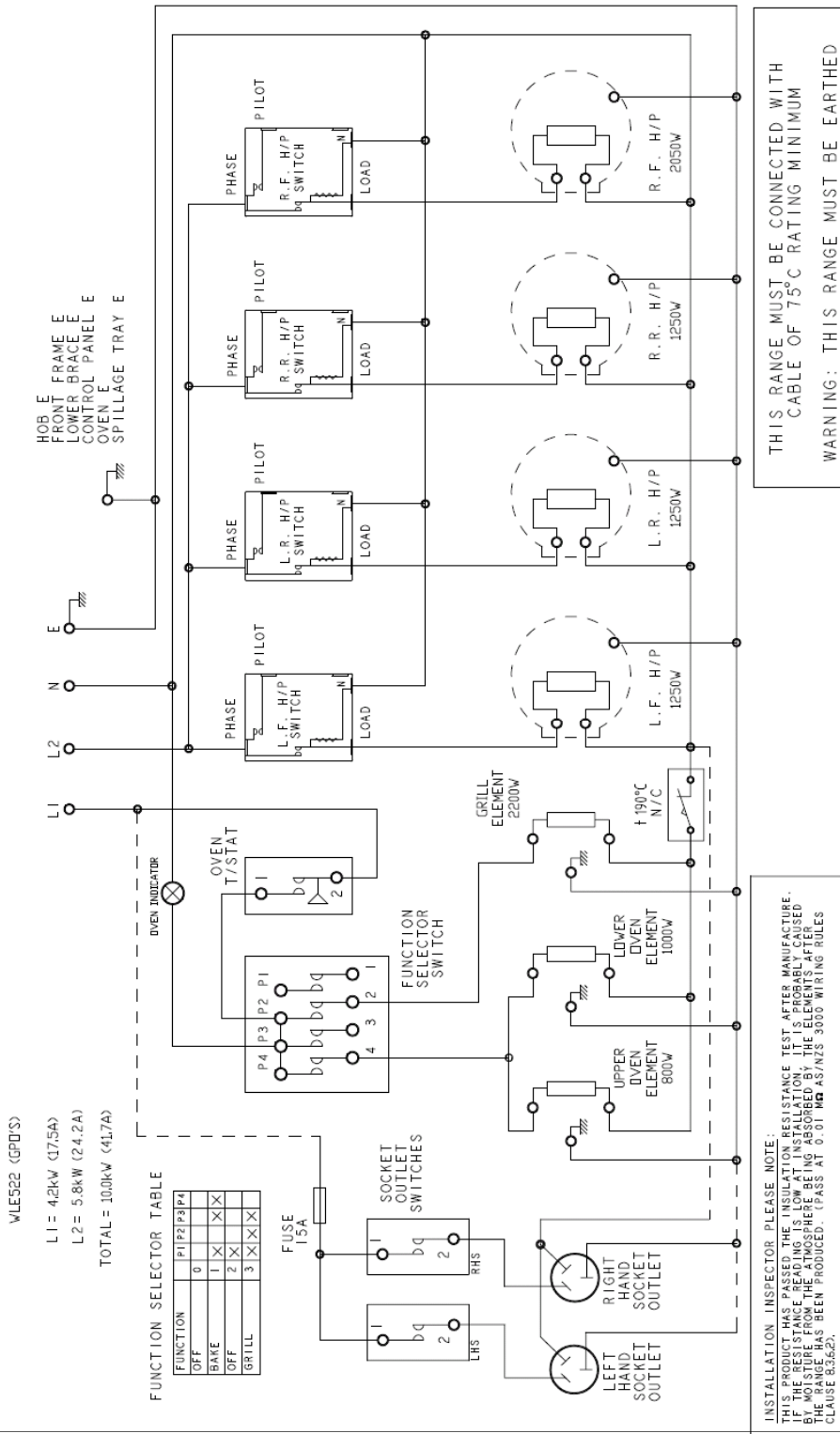


ITEM	PART N°	DESCRIPTION	Ex 8042	QTY
1	0545 002 924	TRIM DOOR TOP VENT 540 FRESCO		1
2	0255 003 960	GLASS OV DR IN REFL FRESCO		1
3	0701 004 020	SCREW 3/16X28 PAN PH TRILOB BK		2
4	0271 001 358	SPACER HANDLE GLS DR NGD		2
5	0160 003 628	ENDCAP HANDLE BLK WEST NGD		2
6	0050 010 806	HANDLE DOOR WEST WHITE FRESCO		1
7	0038 002 834	PNL OUT OV DR ASS 540 WEST FRE		1
8	357 7305 01	HINGE OV DOOR 540 S/F FRESCO		2
N.I.	0701 003 081	SCREW #8 X 5/16 CSK #2PH AB BK		4

0263 010 541

MODEL: WLE522WA**EX. VIEW DRAWING 5683
INTERNAL PACK**

ITEM	PART N°	DESCRIPTION	Ex. 5683	QTY
1	0327 001 194	RACK SHELF OVEN FORM RUN BIOS		2
2	0327 001 202	RACK FRAME G/DISH FRM BIOS		1
3	0036 001 101	DISH GRILL ENAM 540 BIOS		1
4	0327 001 200	RACK INSERT GRILL DISH BIOS		1
N.I.	0701 009 051	SCREW #8 X 1/2 MUSH #2PH AB BK		2
N.I.	0116 001 002	BOLT STABILISING 540 UPRIGHTS		1



THIS RANGE MUST BE CONNECTED WITH CABLE OF 75°C RATING MINIMUM
WARNING: THIS RANGE MUST BE EARTHED

INSTALLATION INSPECTOR PLEASE NOTE:
THIS PRODUCT HAS PASSED THE INSULATION RESISTANCE TEST AFTER MANUFACTURE. IF YOU SUSPECT THERE IS A PROBLEM WITH THE ELECTRICAL WIRING OF THE RANGE, PLEASE CONTACT THE MANUFACTURER. THE RANGE HAS BEEN PRODUCED TO PASS AT 0.01 MΩ AS/ANSI 3000 WIRING RULES, CLAUSE 83.6.2.

P/N 165-003-254 ECN 13A001A

WARNING
IT IS ILLEGAL FOR PERSONS OTHER THAN LICENSED ELECTRICAL MECHANICS OR PERSONS AUTHORISED BY LEGISLATION TO WORK ON THE FIXED WIRING OF ANY ELECTRICAL INSTALLATION. PENALTIES FOR CONVICTION ARE SEVERE.

IMPORTANT SAFETY NOTICE
This diagram has been prepared for use by electrically qualified service technicians. Electrolux cannot be held responsible for the interpretation of its service publications nor for any injury or damage that may occur in connection with their use.