

# Electrolux

ELECTROLUX HOME PRODUCTS PTY LTD

ABN 51 004 762 341

Technical Publication N° CE1476

Issue: 1

Date: 1/20

## ***PARTS & VIEWS***

***AEG***

### ***Pyrolytic System Multifunction Oven***

**MODEL**

**PNC**

**BPE556120M**

**944188072 01**

# MAINTENANCE LEVEL CHANGE SUMMARY

ML	Description	Product Release Date
01	First release	01/20

## MODEL NUMBER IDENTIFICATION

FREE-STANDING COOKERS										
W Brand	B Construction	E Oven Fuel Type	S Added Features	# Width	# Hob Type	# Specification Level	W Colour	A Series	R Side Opening Door Type	G Gas Type
W = Westinghouse C = Chef E = Electrolux Z = Zanussi S = Simpson	E = Elevated Cooker F = Front Control Freestanding Cooker L = Rear Control Freestanding Cooker	E = Electric G = Gas	Leave blank for all except the below: S = Side Opening Door P = Pyro	5 = 50 - 54cm 6 = 60 - 60cm 7 = 70 - 70cm 8 = 80 - 80cm 9 = 90 - 90cm 1 = 100cm and above	IF FUEL TYPE = G 0 = No wok 1 = Wok 2 3 4 5 6 7 8 9 = Highest Spec	Even = GIO, Odd = Sep Grill 0 = Lowest Spec 1 2 3 4 5 6 7 8 9 = Highest Spec	W = White S = Stainless Steel B = Black	A = SAFR B = 1st series change C = 2nd series change etc	L = Left Hand Opening R = Right Hand Opening	LP = Liquefied Petroleum NG = Natural Gas
BUILT-IN OVENS										
W Brand	B Construction	E Oven Fuel Type	S Added Features	# Width	# Cavity Type	# Specification Level	W Colour	A Series	G Gas Type	R Side Opening Door Type
W = Westinghouse C = Chef E = Electrolux Z = Zanussi S = Simpson	V = Built-in oven	E = Electric G = Gas	Leave blank for all except the below: S = Side Opening Door M = Microwave P = Pyro	3 = 30cm - 30cm 4 = 40cm - 40cm 5 = 50cm - 50cm 6 = 60cm - 60cm 7 = 70cm - 70cm 8 = 80cm - 80cm 9 = 90cm - 90cm 1 = 100cm - 110cm 2 = 120 cm +	1 = Single 2 = Duo 3 = Double 4 = Combo Oven 5 = Sep grill and bench 6 = Sep grill wall oven 7 = Compact 8 9 = Highest Spec	0 = Lowest Spec 1 2 3 4 5 6 7 8 9 = Highest Spec	W = White S = Stainless Steel B = Black	A = SAFR B = 1st series change C = 2nd series change etc	LP = Liquefied Petroleum NG = Natural Gas	L = Left Hand Opening R = Right Hand Opening
BUILT-IN HOBS										
W Brand	B Construction	# Hob Type	# Width	# No. Burners/Zones	# Specification Level	W Colour	A Series			
W = Westinghouse C = Chef E = Electrolux Z = Zanussi S = Simpson	H = Hob	IF ELECTRIC HOB: S = Solid C = Ceramic I = Induction R = Radiant Coil M = Mix IF GAS HOB: G = Gas D = Dual Fuel	3 = 30cm or below 4 = 40cm - 40cm 5 = 50cm - 50cm 6 = 60cm - 60cm 7 = 70cm - 70cm 8 = 80cm - 80cm 9 = 90cm - 90cm 1 = 100cm - 110cm 2 = 120 cm and above	1 2 3 4 5 6 7 8 9	0 = Lowest Spec 1 2 3 4 5 6 7 8 9 = Highest Spec	W = White S = Stainless Steel B = Black	A = SAFR B = 1st series change C = 2nd series change etc			

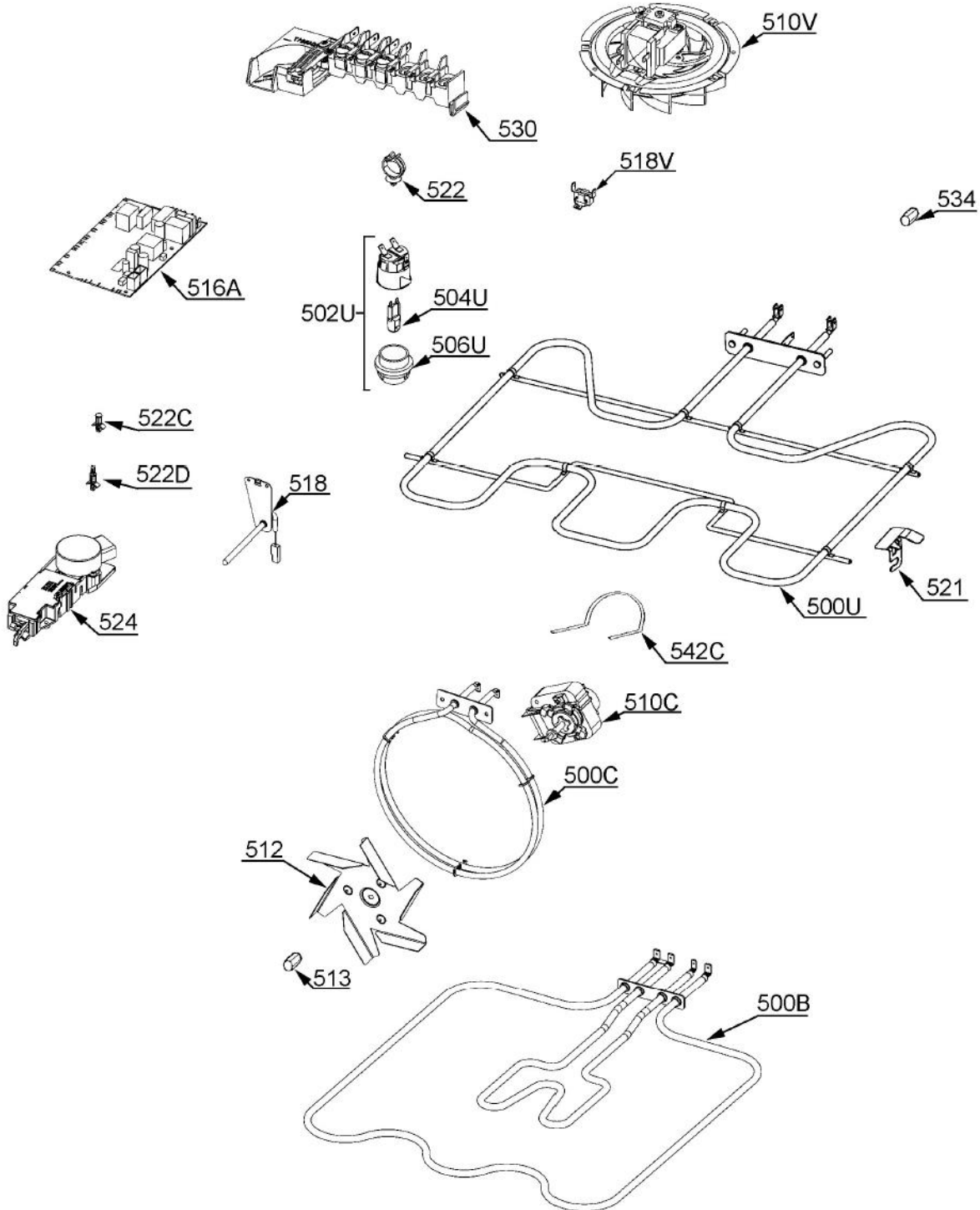
# CONTENTS

**MAINTENANCE LEVEL CHANGE SUMMARY ..... 2**  
**MODEL NUMBER IDENTIFICATION ..... 2**

## EXPLODED VIEWS & PARTS LISTS

**MODEL: BPE556120M..... 4**  
    ELECTRICAL EQUIPMENT ..... 4  
**MODEL: BPE556120M..... 6**  
    HOUSING ASSEMBLY ..... 6  
**MODEL: BPE556120M..... 8**  
    OVEN ASSEMBLY ..... 8  
**MODEL: BPE556120M..... 10**  
    DOOR ASSEMBLY ..... 10  
**MODEL: BPE556120M..... 12**  
    CONTROL PANEL ..... 12  
**MODEL: BPE556120M..... 14**  
    CIRCUIT DIAGRAM ..... 14

**NOTE: In Parts Listings**    **N.I.**    =    **Not Illustrated**  
                                  **N.P.A.**    =    **No Part Available**  
                                  **N.P.N.**    =    **Not Used on this Model**

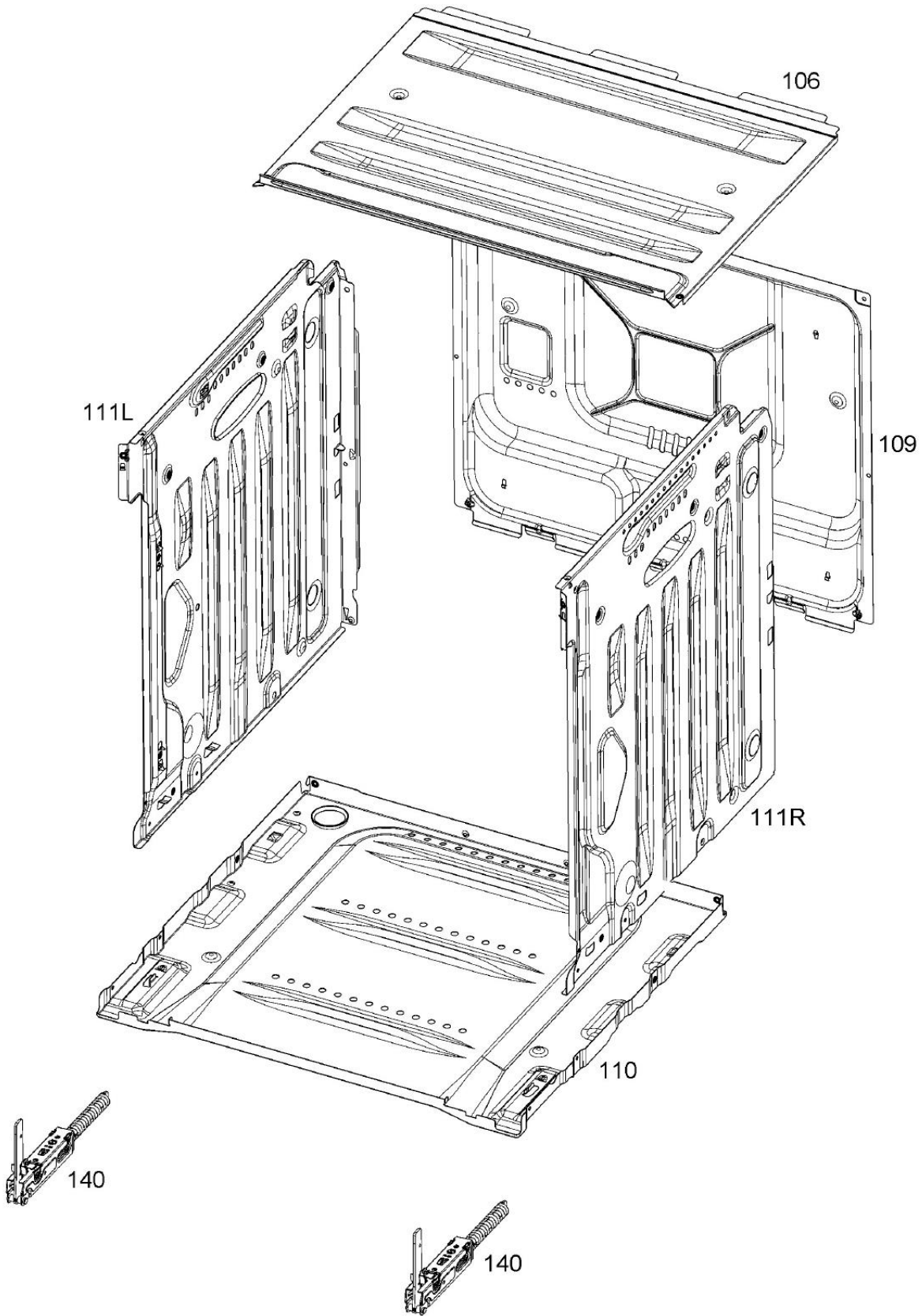


ITEM	PART N°	DESCRIPTION	EX: P00003151638	QTY
500B	<b>140053756023</b>	HEATING ELEMENT, LOWER, STEAM, 240V, 1000/500W		1
500C	<b>140089339059</b>	HEATING ELEMENT, ROUND, 240V, 2400W		1
500U	<b>140037516170</b>	HEATING ELEMENT, UPPER, 240V, 2300W		1
502U	<b>8087690031</b>	OVEN LAMP, COMPLETE, TOP, G9, 230V, 40W		1
504U	<b>8085641028</b>	BULB, OVEN LAMP, G9, 230V, 40W		1
506U	<b>8087690015</b>	GLASS COVER, OVEN LAMP, TOP		1
510C	<b>140042356018</b>	CONVECTION MICRO-MOTOR, 220-240V		1
510V	<b>140065664017</b>	COOLING FAN, ASSEMBLY, 230V, 35/10W		1
512	<b>3878453210</b>	FAN WHEEL, CONVECTION FAN, 0, 7mm		1
513	<b>5610870064</b>	NUT, CONVECTION FAN, M6		1
516A	<b>140028861239</b>	POWER BOARD, OVC5000		1
518	<b>5617410039</b>	TEMPERATURE SENSOR, PT500, 370mm		1
518V	<b>140018026058</b>	OVERHEAT PROTECTION THERMOSTAT, KLIXON, YELLOW, 145°C		1
521	<b>140061616011</b>	HOLDER, HEATING ELEMENT		1
522	<b>3879638009</b>	CABLE HOLDER, ROUND, D22MM		1
522C	<b>3306473012</b>	CLIP, FIXING, ELECTRONIC, L=12, 7mm, FLAT TOP		1
522D	<b>3306473004</b>	CLIP, FIXING, ELECTRONIC, L=22, 9mm		1
524	<b>140051517013</b>	DOOR LOCK, WITH, MOTOR, PYRO		1
530	<b>140045617036</b>	TERMINAL BLOCK, 3POL		1
534	<b>5610450040</b>	NUT, HEATING ELEMENT, UPPER, M4		1
542C	<b>5614750106</b>	SPRING, DAMPER, MOTOR		1
N.I.	<b>140021855022</b>	HARNESS, POWER BOARD, DOOR LOCK, N1/XR12 <-> E1		1
N.I.	<b>140068025018</b>	HARNESS, OVEN LAMP, POWER BOARD		1
N.I.	<b>140075792030</b>	HARNESS, POWER BOARD, DOOR LOCK, N1/XR11 <-> E1		1
N.I.	<b>3004165001</b>	CABLE HOLDER		1
N.I.	<b>5612242031</b>	HARNESS, USER INTERFACE BOARD, SELECTOR, XI01<->BOT/BOF		1
N.I.	<b>5614473006</b>	HARNESS, USER INTERFACE BOARD, POWER BOARD, XC01<->N3/XC0		1
N.I.	<b>8088404069</b>	HARNESS, PUSH BUTTON, POWER BOARD, N1/XI01 <-> DS/A20		1

**MODEL: BPE556120M**

HOUSING ASSEMBLY

Ex: P00003127459

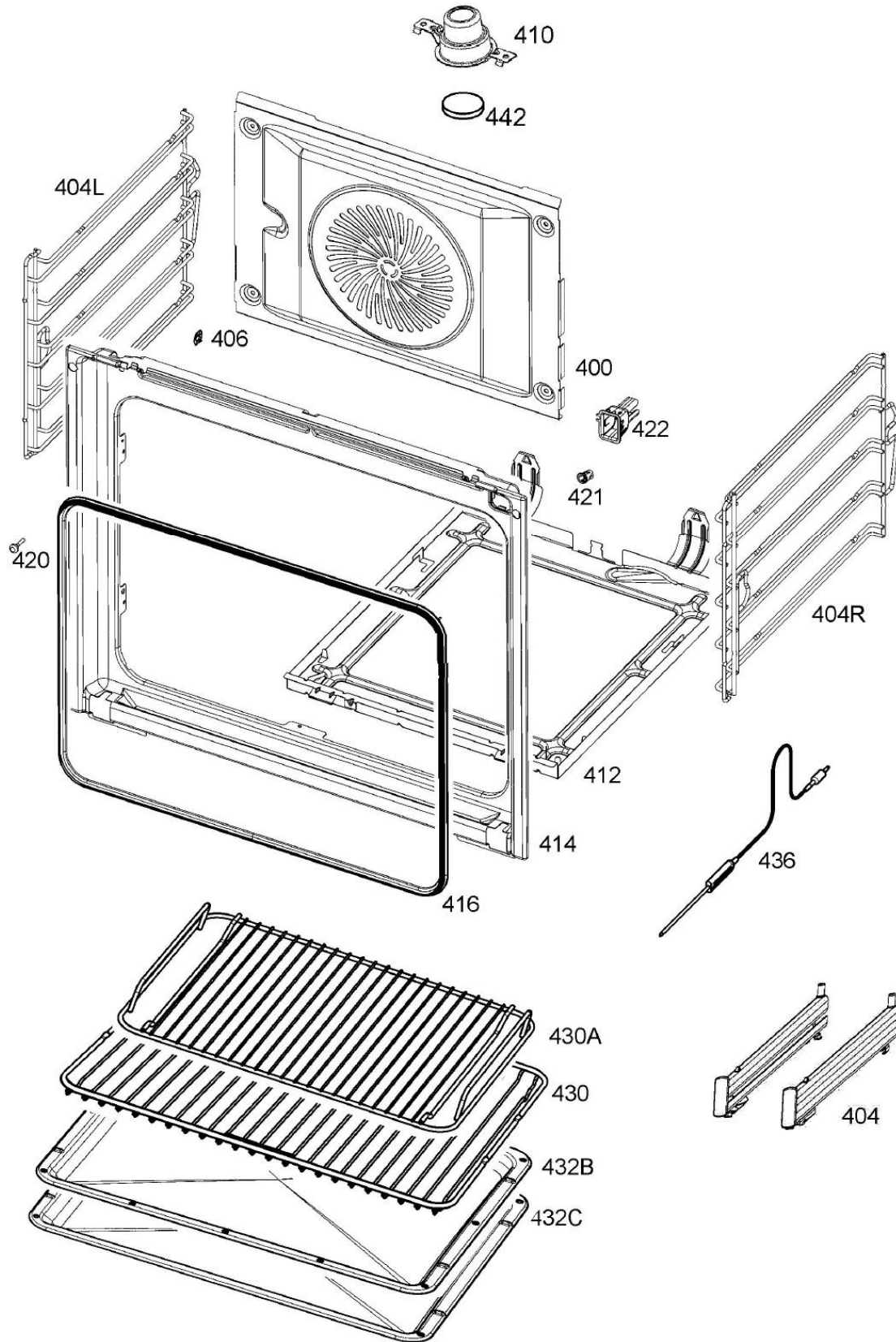


<b>ITEM</b>	<b>PART N°</b>	<b>DESCRIPTION</b> Ex: P00003127459	<b>QTY</b>
106	140032877015	TOP COVER	
109	140016738019	BACK PANEL, OVEN	
110	140032875019	BOTTOM PLATE	
111L	140032872016	SIDE PANEL, LEFT	
111R	140032872024	SIDE PANEL, RIGHT	
140	140059166086	HINGE, OVEN DOOR, 8.8-9.6kg	

**MODEL: BPE556120M**

OVEN ASSEMBLY

Ex: P00003144999



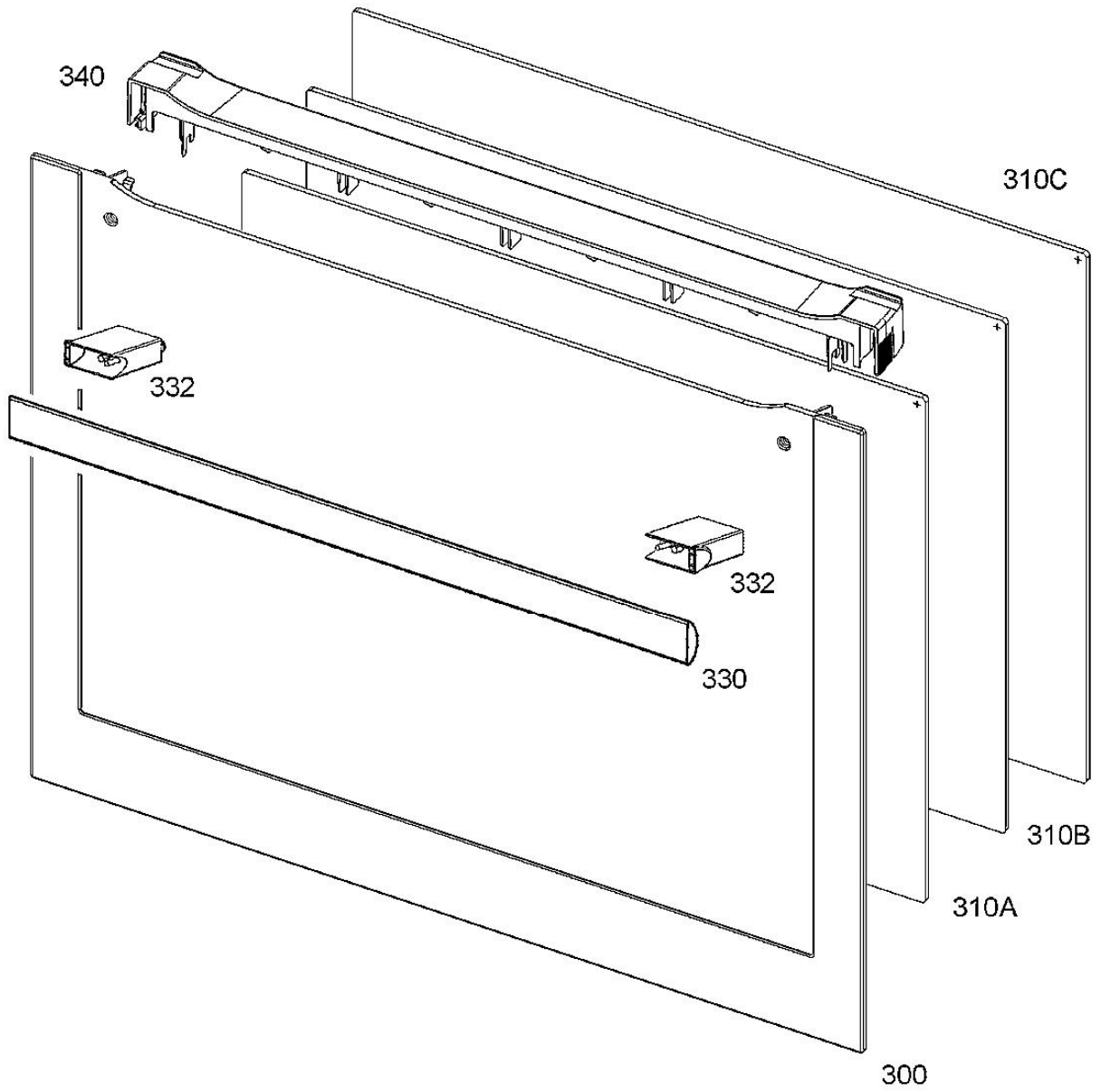


ITEM	PART N°	DESCRIPTION	Ex: P00003144999	QTY
400	<b>140049844024</b>	COVER, CONVECTION FAN		1
404	<b>5611854125</b>	SET, TELESCOPIC RUNNER, 2 PCS		1
404L	<b>140101931040</b>	GRID, LEFT		1
404R	<b>140101931032</b>	GRID, RIGHT		1
406	<b>5614852019</b>	CLIP, FIXING, GRATING		1
410	<b>140118471022</b>	FLANGE		1
412	<b>8078373019</b>	SHIELD, BOTTOM HEATER, STEAM		1
414	<b>140049840022</b>	FRONT FRAME		1
416	<b>5610468026</b>	GASKET, OVEN DOOR, BLACK, 503x371, 27 CLIPS		1
420	<b>140005506013</b>	DOOR STOPPER, RUBBER, HIGH-TEMPERATURE		1
421	<b>3396885018</b>	BUFFER, FRONT PANEL		1
422	<b>3879868200</b>	SOCKET, MEAT THERMOMETER, LARGE		1
430	<b>140064006012</b>	GRILL GRID, 466x385mm		1
430A	<b>3879097016</b>	GRILL, INSERT, 415x330x39, 5mm		1
432B	<b>140020490029</b>	BAKING TRAY, 466x385x22mm		1
432C	<b>140024700027</b>	DRIP PAN, 466x385x40mm		1
436	<b>8078226043</b>	MEAT THERMOMETER, 480mm		1
442	<b>3370874046</b>	CATALYST		1
N.I.	<b>140135761017</b>	KIT, FIXING SCREW, BUILT-IN, 2PCS, 4x25mm		1
N.I.	<b>4055223277</b>	KIT, SCREW, COVER PANEL, 4x		1

**MODEL: BPE556120M**

DOOR ASSEMBLY

Ex: P00003025520

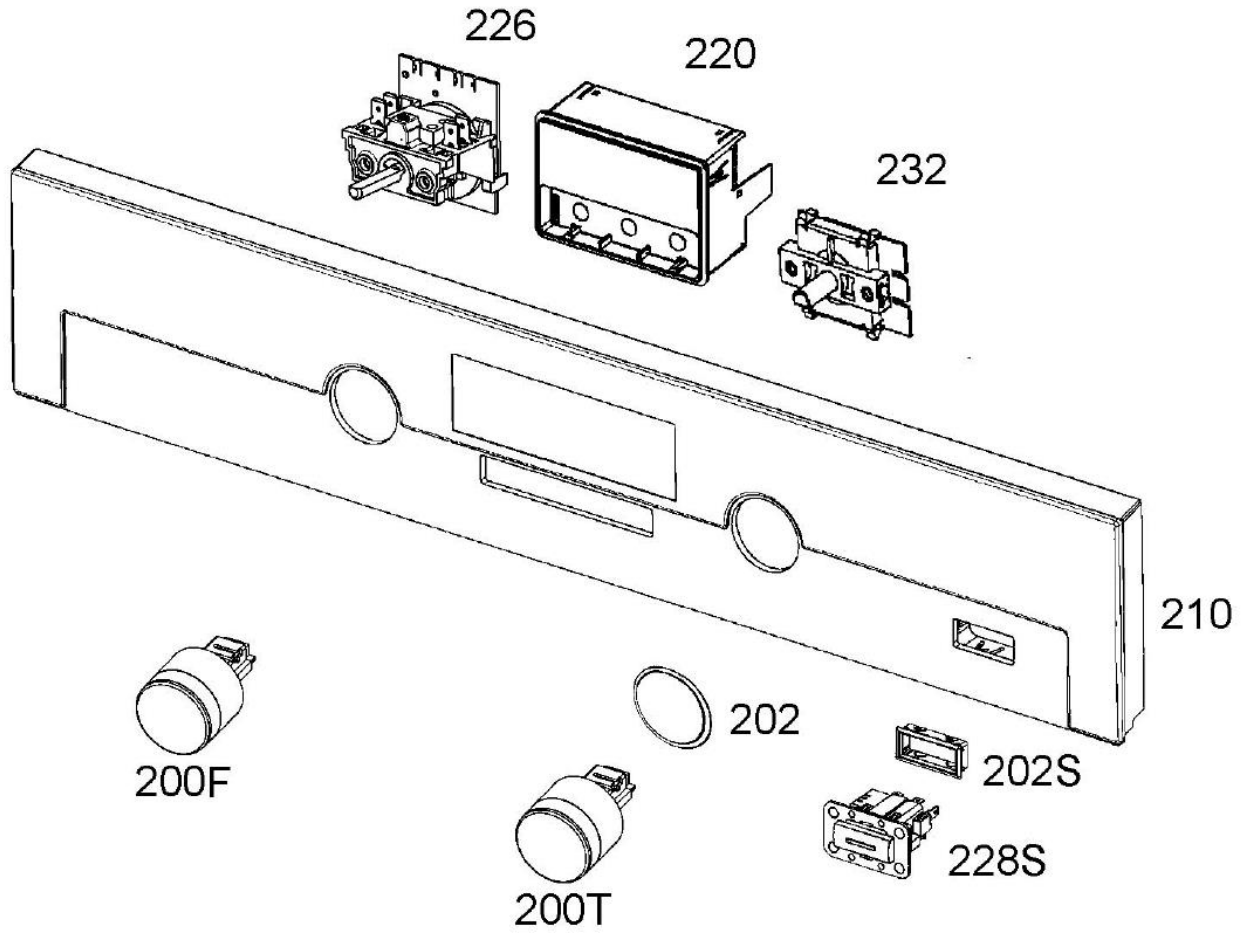


ITEM	PART N°	DESCRIPTION Ex: P00003025520	QTY
300	<b>140037378027</b>	FRONT GLASS, INOX, AEG, 594x470mm	1
310A	<b>140059773030</b>	DOOR GLASS, 488x383mm	1
310B	<b>140058301023</b>	DOOR GLASS, SILKSCREENED, 499x388.5mm	1
310C	<b>3878349012</b>	DOOR GLASS, HIGH-TEMPERATURE, 524x402mm	1
330	<b>140044120016</b>	HANDLE, INOX	1
332	<b>140044122012</b>	ADAPTOR, DOOR HANDLE, BLACK	2
340	<b>3878386253</b>	TOP COVER, DOOR, BLACK	1
999	<b>4055183752</b>	KIT, SCREW, DOOR HANDLE, 5x M4X50 A2K	1

**MODEL: BPE556120M**

CONTROL PANEL

Ex: P00003132822

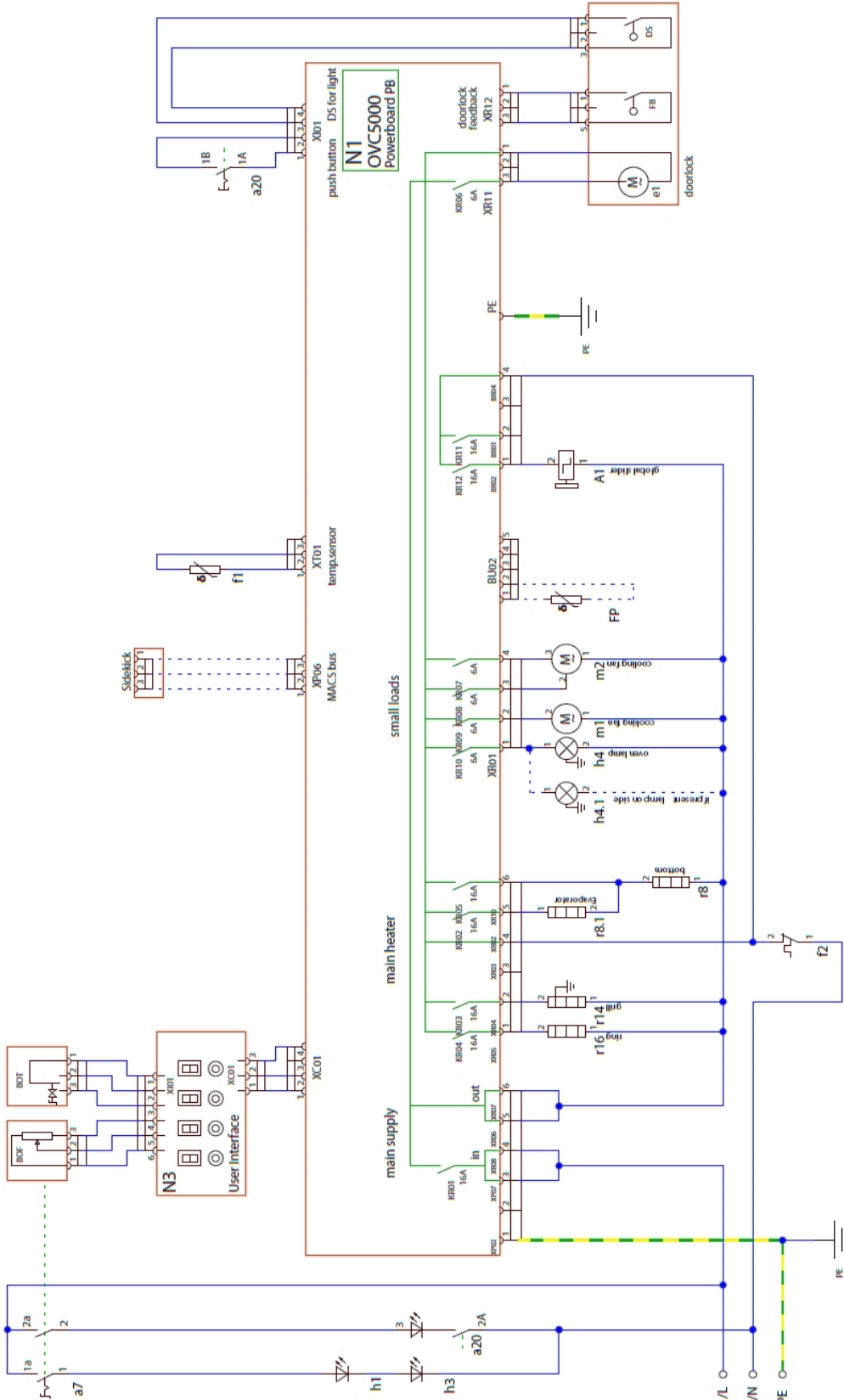


ITEM	PART N°	DESCRIPTION Ex: P00003132822	QTY
200F	<b>140057857025</b>	KNOB, FUNCTION, INOX, 10+0	1
200T	<b>5618207020</b>	KNOB, INDEX, INOX	1
202	<b>3870438201</b>	RING, KNOB, BLACK, H=6, 5mm	1
202S	<b>140023743051</b>	PUSH BUTTON COVER, STEAM	1
210	<b>140109303416</b>	CONTROL PANEL, INOX, 60cm, HEXAGON, 2K	1
220	<b>140075235022</b>	NOT CONFIGURED ELECTRONIC, USER INTERFACE BOARD, HEXAGON	1
220	<b>982140075236014</b>	CONFIGURED ELECTRONIC, USER INTERFACE BOARD, HEXAGON	1
226	<b>3874542065</b>	SELECTOR SWITCH, FUNCTION, FLAT, 0-10	1
228S	<b>140023741121</b>	PUSH BUTTON, STEAM	1
232	<b>8090626014</b>	ROTARY SELECTOR, SWITCH, +/-	1

**MODEL: BPE556120M**

CIRCUIT DIAGRAM

NUMBER: A10091201



**WARNING**  
**IT IS ILLEGAL FOR PERSONS OTHER THAN LICENSED ELECTRICAL MECHANICS OR PERSONS AUTHORISED BY LEGISLATION TO WORK ON THE FIXED WIRING OF ANY ELECTRICAL INSTALLATION. PENALTIES FOR CONVICTION ARE SEVERE.**

**IMPORTANT SAFETY NOTICE**  
 This diagram has been prepared for use by electrically qualified service technicians. Electrolux cannot be held responsible for the interpretation of its service publications nor for any injury or damage that may occur in connection with their use.

<b>Publication Version Control Chart</b>		
<b>Issue Number</b>	<b>Reason</b>	<b>Date</b>
1	Original Document	07-01-2020