

Electrolux

ELECTROLUX HOME PRODUCTS PTY LTD

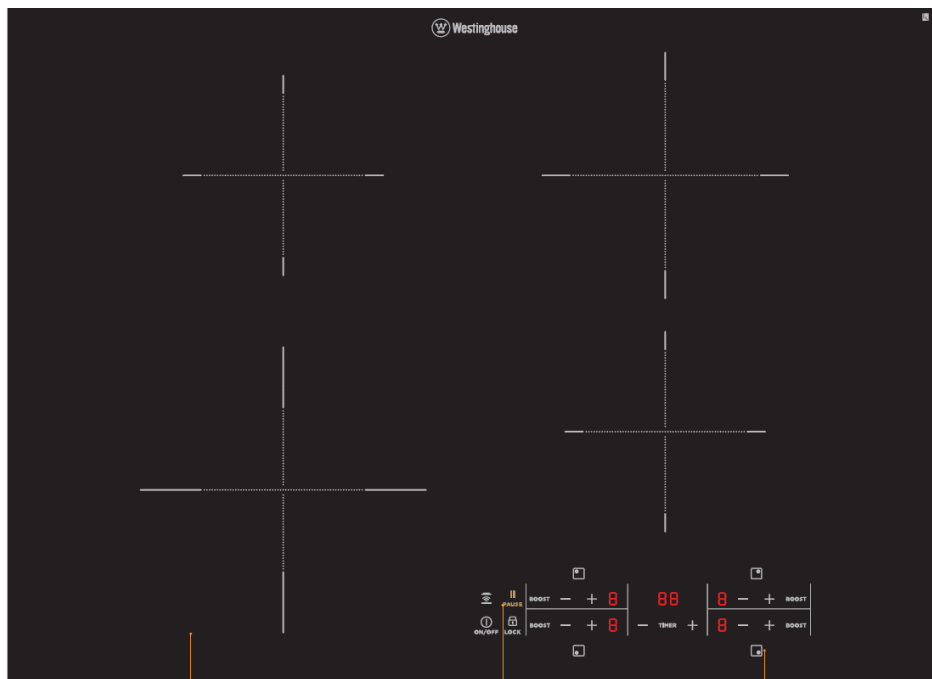
ABN 51 004 762 341

Technical Publication N° CE1443

Issue: 1

Date: 2/20

WESTINGHOUSE INDUCTION COOKTOP



MODEL

WHI743BC

PNC

94916342800

MAINTENANCE LEVEL CHANGE SUMMARY

ML	Description	Product Release Date
00		3/20

MODEL NUMBER IDENTIFICATION

FREE-STANDING COOKERS										
W Brand	B Construction	E Oven Fuel Type	S Added Features	# Width	# Hob Type	# Specification Level	W Colour	A Series	R Side Opening Door Type	G Gas Type
W = Westinghouse C = Chef E = Electrolux Z = Zanussi S = Simpson	E = Elevated Cooker F = Front Control Freestanding Cooker L = Rear Control Freestanding Cooker	E = Electric G = Gas	Leave blank for all except the below: S = Side Opening Door P = Pyro	5 = 50 - 54cm 6 = 60 - 60cm 7 = 70 - 70cm 8 = 80 - 80cm 9 = 90 - 90cm 1 = 100cm and above	IF FUEL TYPE = G 0 = No wok 1 = Wok 2 3 4 5 6 7 8 9 = Highest Spec	Even = GIO, Odd = Sep Grill 0 = Lowest Spec 1 2 3 4 5 6 7 8 9 = Highest Spec	W = White S = Stainless Steel B = Black	A = SAFR B = 1st series change C = 2nd series change etc	L = Left Hand Opening R = Right Hand Opening	LP = Liquefied Petroleum NG = Natural Gas
BUILT-IN OVENS										
W Brand	B Construction	E Oven Fuel Type	S Added Features	# Width	# Cavity Type	# Specification Level	W Colour	A Series	G Gas Type	R Side Opening Door Type
W = Westinghouse C = Chef E = Electrolux Z = Zanussi S = Simpson	V = Built-in oven	E = Electric G = Gas	Leave blank for all except the below: S = Side Opening Door M = Microwave P = Pyro	3 = 30cm - 30cm 4 = 40cm - 49cm 5 = 50cm - 59cm 6 = 60cm - 69cm 7 = 70cm - 79cm 8 = 80cm - 89cm 9 = 90cm - 99cm 1 = 100cm - 110cm 2 = 120 cm +	1 = Single 2 = Duo 3 = Double 4 = Combo Oven 5 = Sep grill and bench 6 = Sep grill wall oven 7 = Compact 8 9 = Highest Spec	0 = Lowest Spec 1 2 3 4 5 6 7 8 9 = Highest Spec	W = White S = Stainless Steel B = Black	A = SAFR B = 1st series change C = 2nd series change etc	LP = Liquefied Petroleum NG = Natural Gas	L = Left Hand Opening R = Right Hand Opening
BUILT-IN HOBES										
W Brand	B Construction	# Hob Type	# Width	# No. Burners/Zones	# Specification Level	W Colour	A Series			
W = Westinghouse C = Chef E = Electrolux Z = Zanussi S = Simpson	H = Hob	IF ELECTRIC HOB: S = Solid C = Ceramic I = Induction R = Radiant Coil M = Mix IF GAS HOB: G = Gas D = Dual Fuel	3 = 30cm or below 4 = 40cm - 49cm 5 = 50cm - 59cm 6 = 60cm - 69cm 7 = 70cm - 79cm 8 = 80cm - 89cm 9 = 90cm - 99cm 1 = 100cm - 110cm 2 = 120 cm and above	1 2 3 4 5 6 7 8 9	0 = Lowest Spec 1 2 3 4 5 6 7 8 9 = Highest Spec	W = White S = Stainless Steel B = Black	A = SAFR B = 1st series change C = 2nd series change etc			

CONTENTS

MAINTENANCE LEVEL CHANGE SUMMARY	2
MODEL NUMBER IDENTIFICATION.....	2

EXPLODED VIEWS & PARTS LISTS

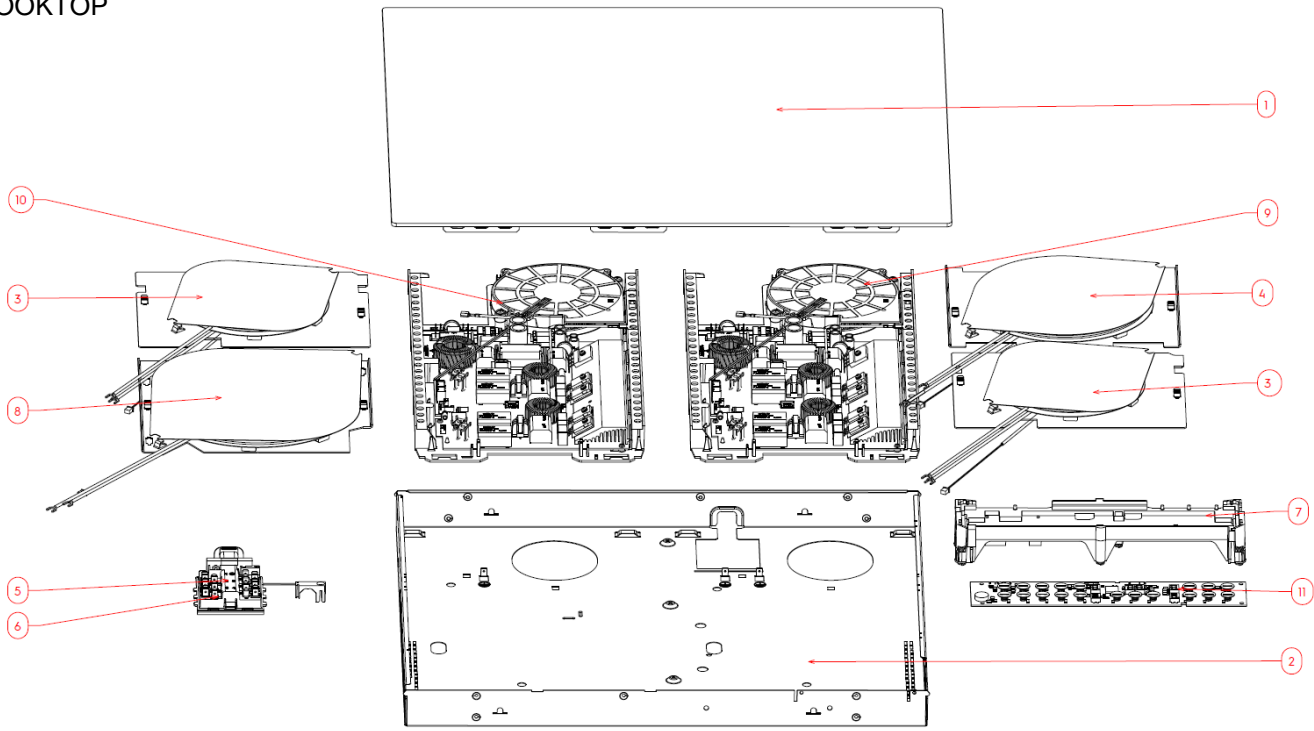
MODEL:	4
(DESCRIPTION HERE)	Error! Bookmark not defined.
MODEL:	Error! Bookmark not defined.
(DESCRIPTION HERE)	Error! Bookmark not defined.
MODEL:	5
CIRCUIT DIAGRAM	5

NOTE: In Parts Listings

N.I.	=	Not Illustrated
N.P.A.	=	No Part Available
N.P.N.	=	Not Used on this Model

MODEL: WHI743BC

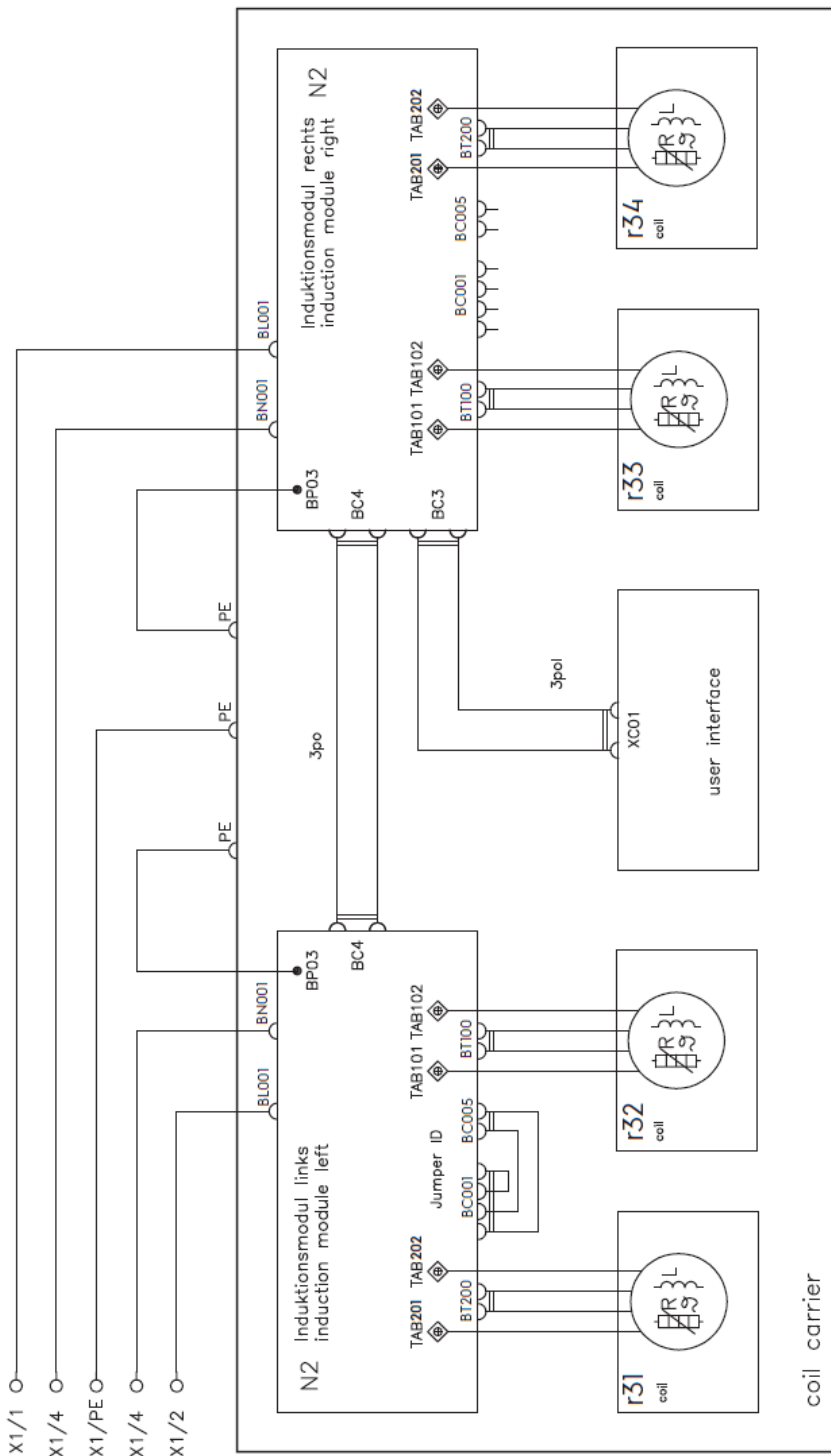
COOKTOP



ITEM	PART N°	DESCRIPTION	QTY
1	305614068	HOB CERAMIC WHI743BC	1
2	N.P.N	PROTECT BOX	1
3	387404760	IND COIL TIG 140MM	2
4	387404867	IND COIL TIG 180MM	1
5	A04910201	MAIN TERMINAL BOX	1
6	A04910204	TERMINAL COVER	1
7	A04948703	UI CARR KINGTIGER GRAY	1
8	387761249	INDUCTION TIG 210MM M3	1
9	A11539131	KING TIGER ID2	1
10	A11539132	KING TIGER ID1	1
11	A13817838	USER INTERFACE ASSEMBLY FALCON	1
N.I.	A06134501	FAN COOLING INDUCTION	2
N.I.	387812101	HARNESS CONTROL AND DISPLAY BO	1
N.I.	387484500	HARNESS JUMPER WIRE BC5 - BC1 1	1
N.I.	387540300	PLUG BRIDGING PLUG DUMMY NTC	1
N.I.	387174602	SPRING BUILT IN	X
N.I.	ACC014	SCRAPER	X
N.I.	0400005006	TAPE FOAM 1.5MM X 9MM X 46M	X

MODEL: WHI743BC

CIRCUIT DIAGRAM



WARNING

IT IS ILLEGAL FOR PERSONS OTHER THAN LICENSED ELECTRICAL MECHANICS OR PERSONS AUTHORISED BY LEGISLATION TO WORK ON THE FIXED WIRING OF ANY ELECTRICAL INSTALLATION. PENALTIES FOR CONVICTION ARE SEVERE.

IMPORTANT SAFETY NOTICE

This diagram has been prepared for use by electrically qualified service technicians. Electrolux cannot be held responsible for the interpretation of its service publications nor for any injury or damage that may occur in connection with their use.

Publication Version Control Chart		
Issue Number	Reason	Date
1	Original Document	3/20