

# Electrolux

ELECTROLUX HOME PRODUCTS PTY LTD

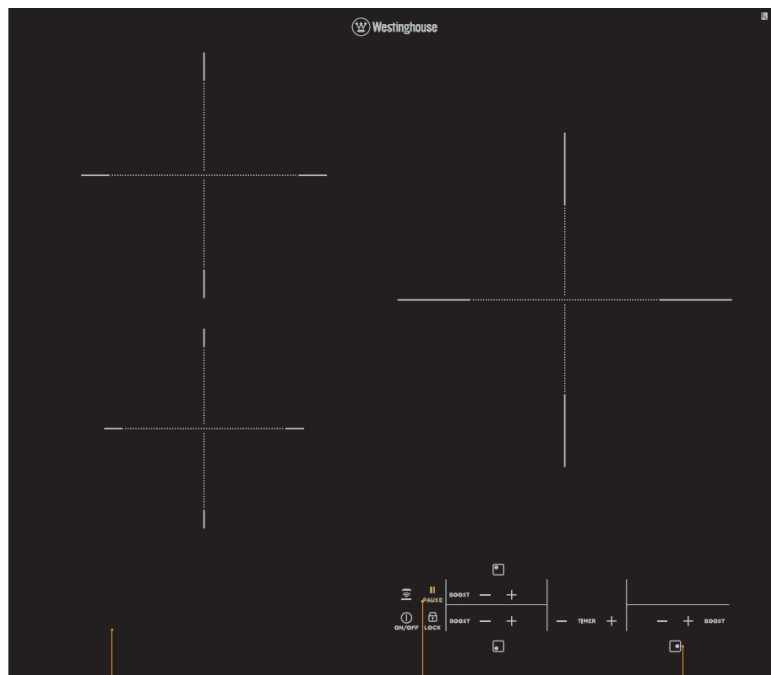
ABN 51 004 762 341

Technical Publication N° CE1440

Issue: 1

Date: 2/20

## ***WESTINGHOUSE INDUCTION COOKTOP***



**MODEL**

**WHI633BC**

**PNC**

**94916342500**

# MAINTENANCE LEVEL CHANGE SUMMARY

<b>ML</b>	<b>Description</b>	<b>Product Release Date</b>
00		3/20

## MODEL NUMBER IDENTIFICATION

FREE-STANDING COOKERS										
W Brand	B Construction	E Oven Fuel Type	S Added Features	# Width	# Hob Type	# Specification Level	W Colour	A Series	R Side Opening Door Type	G Gas Type
W = Westinghouse C = Chef E = Electrolux Z = Zanussi S = Simpson	E = Elevated Cooker F = Front Control Freestanding Cooker L = Rear Control Freestanding Cooker	E = Electric G = Gas	Leave blank for all except the below: S = Side Opening Door P = Pyro	5 = 50 - 54cm 6 = 60 - 60cm 7 = 70 - 70cm 8 = 80 - 80cm 9 = 90 - 90cm 1 = 100cm and above	IF FUEL TYPE = G 0 = No wok 1 = Wok 2 3 4 5 6 7 8 9 = Highest Spec	Even = GIO, Odd = Sep Grill 0 = Lowest Spec 1 2 3 4 5 6 7 8 9 = Highest Spec	W = White S = Stainless Steel B = Black	A = SAFR B = 1st series change C = 2nd series change etc	L = Left Hand Opening R = Right Hand Opening	LP = Liquefied Petroleum NG = Natural Gas
BUILT-IN OVENS										
W Brand	B Construction	E Oven Fuel Type	S Added Features	# Width	# Cavity Type	# Specification Level	W Colour	A Series	G Gas Type	R Side Opening Door Type
W = Westinghouse C = Chef E = Electrolux Z = Zanussi S = Simpson	V = Built-in oven	E = Electric G = Gas	Leave blank for all except the below: S = Side Opening Door M = Microwave P = Pyro	3 = 30cm - 30cm 4 = 40cm - 40cm 5 = 50cm - 50cm 6 = 60cm - 60cm 7 = 70cm - 70cm 8 = 80cm - 80cm 9 = 90cm - 90cm 1 = 100cm - 110cm 2 = 120 cm +	1 = Single 2 = Duo 3 = Double 4 = Combo Oven 5 = Sep grill and bench 6 = Sep grill wall oven 7 = Compact 8 9 = Highest Spec	0 = Lowest Spec 1 2 3 4 5 6 7 8 9 = Highest Spec	W = White S = Stainless Steel B = Black	A = SAFR B = 1st series change C = 2nd series change etc	LP = Liquefied Petroleum NG = Natural Gas	L = Left Hand Opening R = Right Hand Opening
BUILT-IN HOBES										
W Brand	B Construction	# Hob Type	# Width	# No. Burners/Zones	# Specification Level	W Colour	A Series			
W = Westinghouse C = Chef E = Electrolux Z = Zanussi S = Simpson	H = Hob	IF ELECTRIC HOB: S = Solid C = Ceramic I = Induction R = Radiant Coil M = Mix IF GAS HOB: G = Gas D = Dual Fuel	3 = 30cm or below 4 = 40cm - 40cm 5 = 50cm - 50cm 6 = 60cm - 60cm 7 = 70cm - 70cm 8 = 80cm - 80cm 9 = 90cm - 90cm 1 = 100cm - 110cm 2 = 120 cm and above	1 2 3 4 5 6 7 8 9	0 = Lowest Spec 1 2 3 4 5 6 7 8 9 = Highest Spec	W = White S = Stainless Steel B = Black	A = SAFR B = 1st series change C = 2nd series change etc			

# CONTENTS

**MAINTENANCE LEVEL CHANGE SUMMARY** .....2  
**MODEL NUMBER IDENTIFICATION**.....2

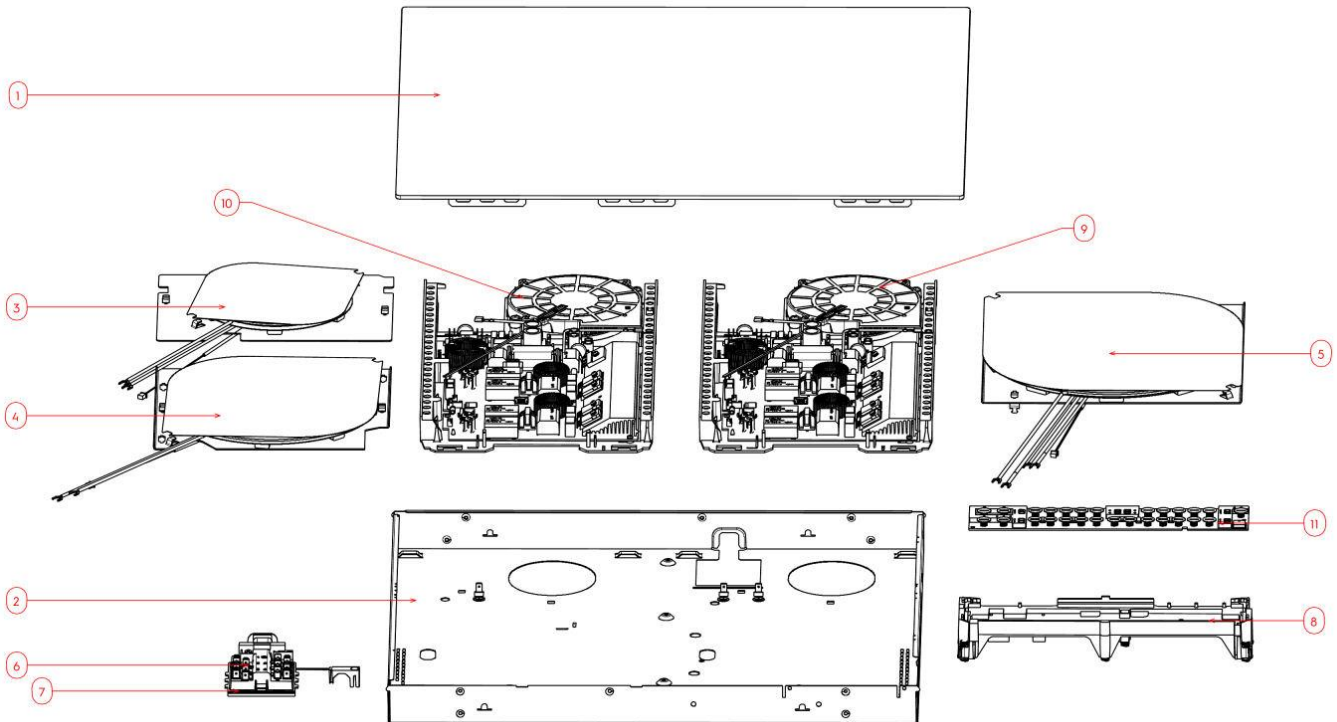
## EXPLODED VIEWS & PARTS LISTS

**MODEL: WHI633BC**.....4  
    **COOKTOP** .....4  
**MODEL: WHI633BC**.....5  
    **CIRCUIT DIAGRAM**.....5

**NOTE: In Parts Listings**    **N.I.**    =    **Not Illustrated**  
   **N.P.A.**    =    **No Part Available**  
   **N.P.N.**    =    **Not Used on this Model**

**MODEL: WHI633BC**

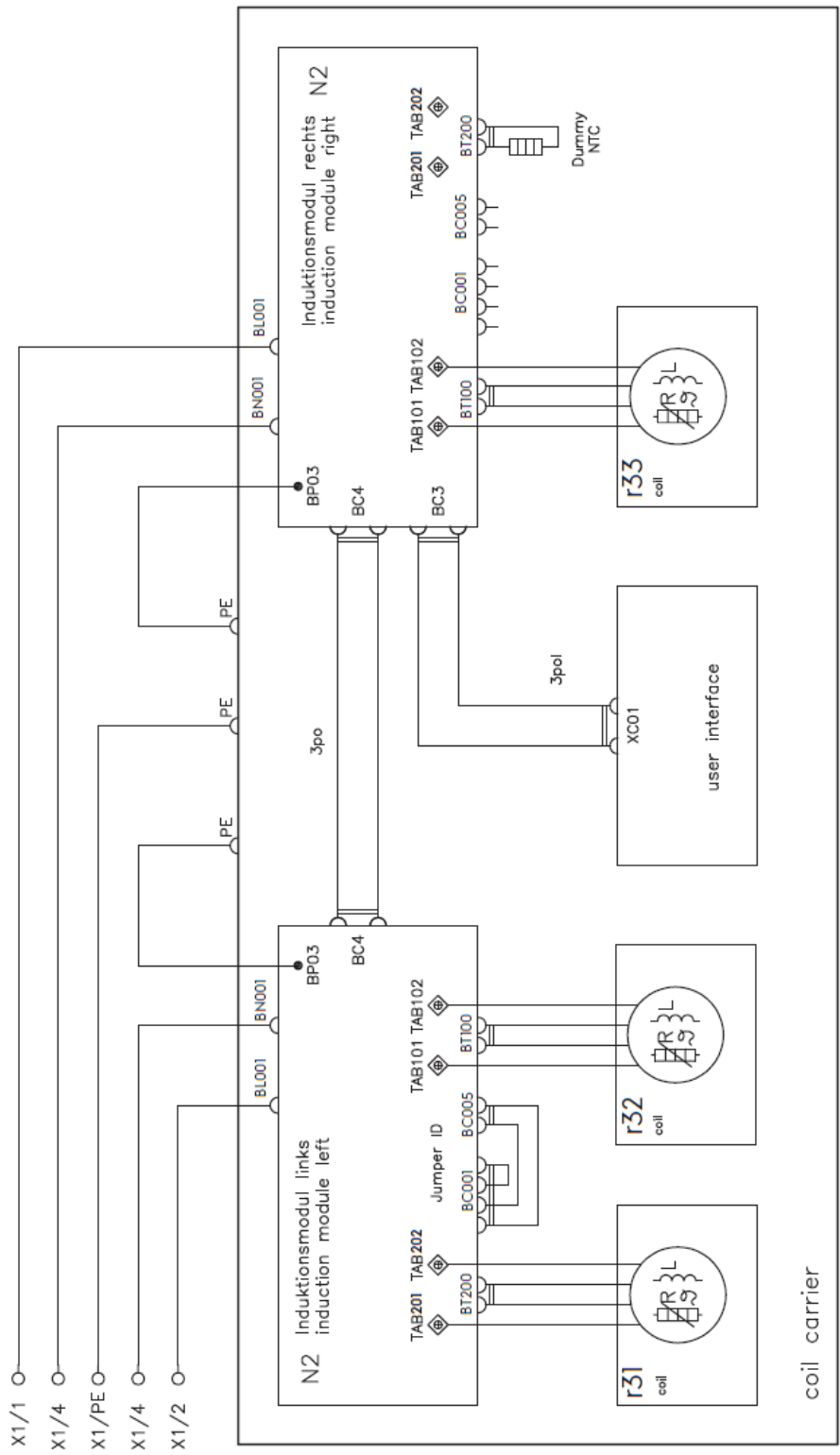
**COOKTOP**



ITEM	PART N°	DESCRIPTION	QTY
1	<b>305614065</b>	HOB CERAMIC WHI633BC	1
2	<b>N.P.N.</b>	PROTECT BOX	1
3	<b>387404760</b>	IND COIL TIG 140MM	1
4	<b>387404867</b>	IND COIL TIG 180MM	1
5	<b>387761433</b>	COIL INDUCTION COMPLETE 280MM	1
6	<b>A04910201</b>	MAIN TERMINAL BOX	1
7	<b>A04910204</b>	TERMINAL COVER	1
8	<b>A04948703</b>	UI CARR KINGTIGER GRAY	1
9	<b>A11539131</b>	KING TIGER ID2	1
10	<b>A11539132</b>	KING TIGER ID1	1
11	<b>A13817837</b>	USER INTERFACE ASSEMBLY FALCON	1
N.I.	<b>A06134501</b>	FAN COOLING INDUCTION	2
N.I.	<b>387812101</b>	HARNESS CONTROL AND DISPLAY BO	1
N.I.	<b>387484500</b>	HARNESS JUMPER WIRE BC5 - BC1 1	1
N.I.	<b>387540300</b>	PLUG BRIDGING PLUG DUMMY NTC	1
N.I.	<b>387174602</b>	SPRING BUILT IN	X
N.I.	<b>ACC014</b>	SCRAPER	X
N.I.	<b>0400005006</b>	TAPE FOAM 1.5MM X 9MM X 46M	X

**MODEL: WHI633BC**

**CIRCUIT DIAGRAM**



**WARNING**  
 IT IS ILLEGAL FOR PERSONS OTHER THAN LICENSED ELECTRICAL MECHANICS OR PERSONS AUTHORISED BY LEGISLATION TO WORK ON THE FIXED WIRING OF ANY ELECTRICAL INSTALLATION. PENALTIES FOR CONVICTION ARE SEVERE.

**IMPORTANT SAFETY NOTICE**  
 This diagram has been prepared for use by electrically qualified service technicians. Electrolux cannot be held responsible for the interpretation of its service publications nor for any injury or damage that may occur in connection with their use.

<b>Publication Version Control Chart</b>		
<b>Issue Number</b>	<b>Reason</b>	<b>Date</b>
1	Original Document	3/20