

Electrolux

ELECTROLUX HOME PRODUCTS PTY LTD

ABN 51 004 762 341

Technical Publication N° CE1430

Issue: 1

Date: 2/20

WESTINGHOUSE ELECTRIC COOKTOPS



MODEL	PNC
WHS642SC	94916344100
WHS642WC	94916344200

MAINTENANCE LEVEL CHANGE SUMMARY

ML	Description	Product Release Date
00		03/20

MODEL NUMBER IDENTIFICATION

FREE STANDING COOKERS										
W Brand	B Construction	E Oven Fuel Type	S Added Features	# Width	# Hob Type	# Specification Level	W Colour	A Series	R Side Opening Door Type	# Gas Type
W = Westinghouse C = Chef E = Electrolux Z = Zanussi S = Simpson	E = Elevated Cooker F = Front Control Freestanding Cooker L = Rear Control Freestanding Cooker	E = Electric G = Gas	Leave blank for all except the below: S = Side Opening Door P = Pyro	5 = 80 - 84cm 6 = 80 - 89cm 7 = 70 - 78cm 8 = 80 - 89cm 9 = 90 - 99cm 1 = 100cm and above	IF FUEL TYPE = G 0 = No wok 1 = Wok IF FUEL TYPE = E 2 = Radiant Coil 3 = Solid 4 = Ceramic 5 = Induction 6 = Dual fuel	Even = G/O, D/S = Sep Grill 0 = Lowest Spec 1 2 3 4 5 6 7 8 9 = Highest Spec	W = White S = Stainless Steel B = Black	A = SAFR B = 1st series change C = 2nd series change etc	L = Left Hand Opening R = Right Hand Opening	LP = Liquefied Petroleum NG = Natural Gas
BUILT-IN OVENS										
W Brand	B Construction	E Oven Fuel Type	S Added Features	# Width	# Cavity Type	# Specification Level	W Colour	A Series	# Gas Type	R Side Opening Door Type
W = Westinghouse C = Chef E = Electrolux Z = Zanussi S = Simpson	V = Built-in oven	E = Electric G = Gas	Leave blank for all except the below: S = Side Opening Door M = Microwave P = Pyro	3 = 30cm - 36cm 4 = 40cm - 49cm 5 = 50cm - 59cm 6 = 60cm - 69cm 7 = 70cm - 79cm 8 = 80cm - 89cm 9 = 90cm - 99cm 1 = 100cm - 110cm 2 = 120 cm +	1 = Single 2 = Duo 3 = Double 4 = Combo Oven 5 = Sep grill und bench 6 = Sep grill wall oven 7 = Compact	0 = Lowest Spec 1 2 3 4 5 6 7 8 9 = Highest Spec	W = White S = Stainless Steel B = Black	A = SAFR B = 1st series change C = 2nd series change etc	LP = Liquefied Petroleum NG = Natural Gas	L = Left Hand Opening R = Right Hand Opening
BUILT-IN HOB'S										
W Brand	B Construction	# Hob Type	# Width	# No. Burners/Zones	# Specification Level	W Colour	A Series			
W = Westinghouse C = Chef E = Electrolux Z = Zanussi S = Simpson	H = Hob	IF ELECTRIC HOB: S = Solid C = Ceramic I = Induction R = Radiant Coil M = Mix IF GAS HOB: G = Gas D = Dual Fuel	3 = 36cm or below 4 = 40cm - 49cm 5 = 50cm - 59cm 6 = 60cm - 69cm 7 = 70cm - 79cm 8 = 80cm - 89cm 9 = 90cm - 99cm 1 = 100cm - 110cm 2 = 120 cm and above	1 2 3 4 5 6 7 8 9	0 = Lowest Spec 1 2 3 4 5 6 7 8 9 = Highest Spec	W = White S = Stainless Steel B = Black	A = SAFR B = 1st series change C = 2nd series change etc			

CONTENTS

MAINTENANCE LEVEL CHANGE SUMMARY	2
MODEL NUMBER IDENTIFICATION.....	2

EXPLODED VIEWS & PARTS LISTS

MODEL: WHS642SC WHS642WC.....	4
COOKTOP	4
MODEL: WHS642SC WHS642WC.....	6
CIRCUIT DIAGRAM.....	6

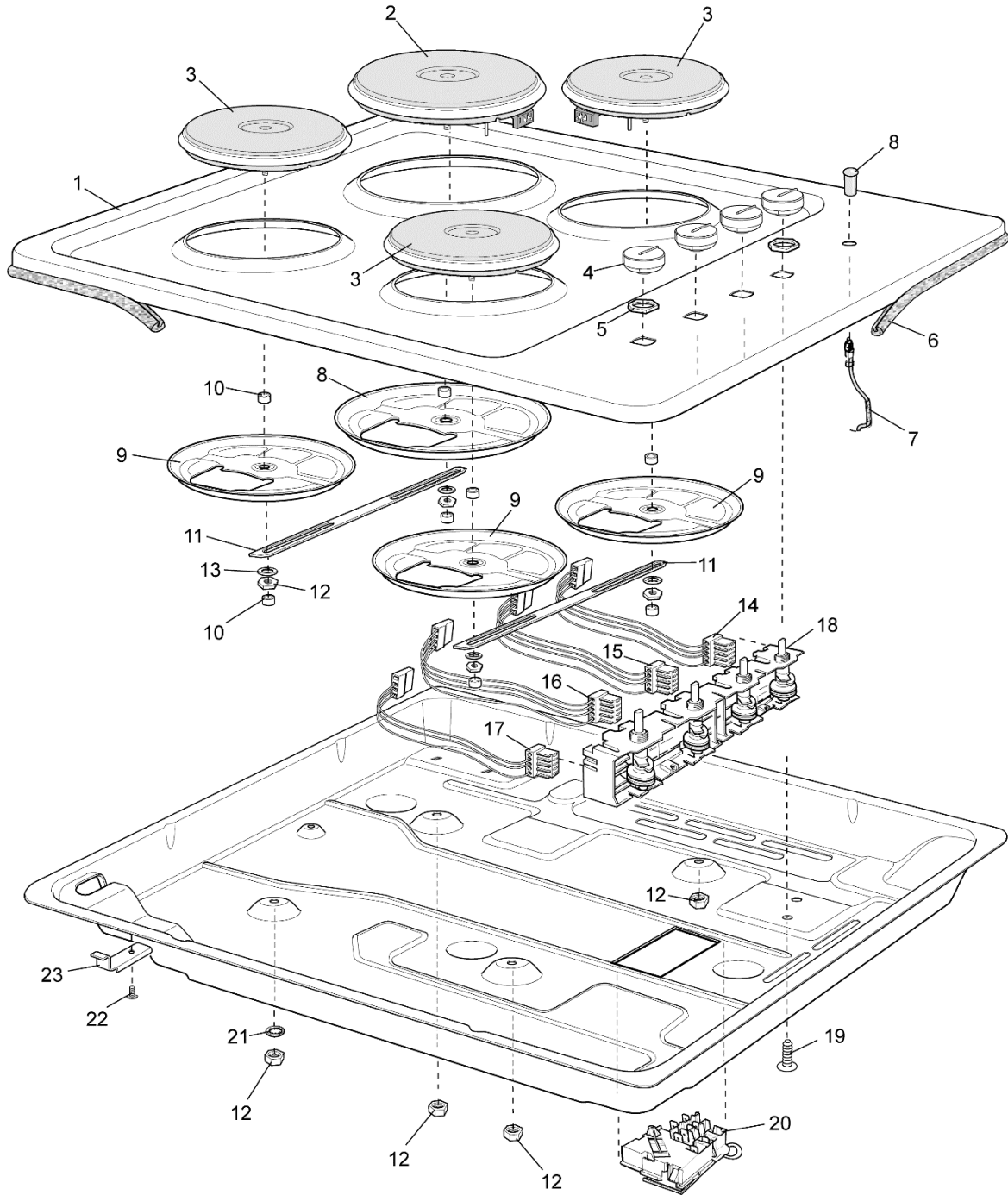
NOTE: In Parts Listings

N.I.	=	Not Illustrated
N.P.A.	=	No Part Available
N.P.N.	=	Not Used on this Model

MODEL: WHS642SC
COOKTOP

WHS642WC

8570



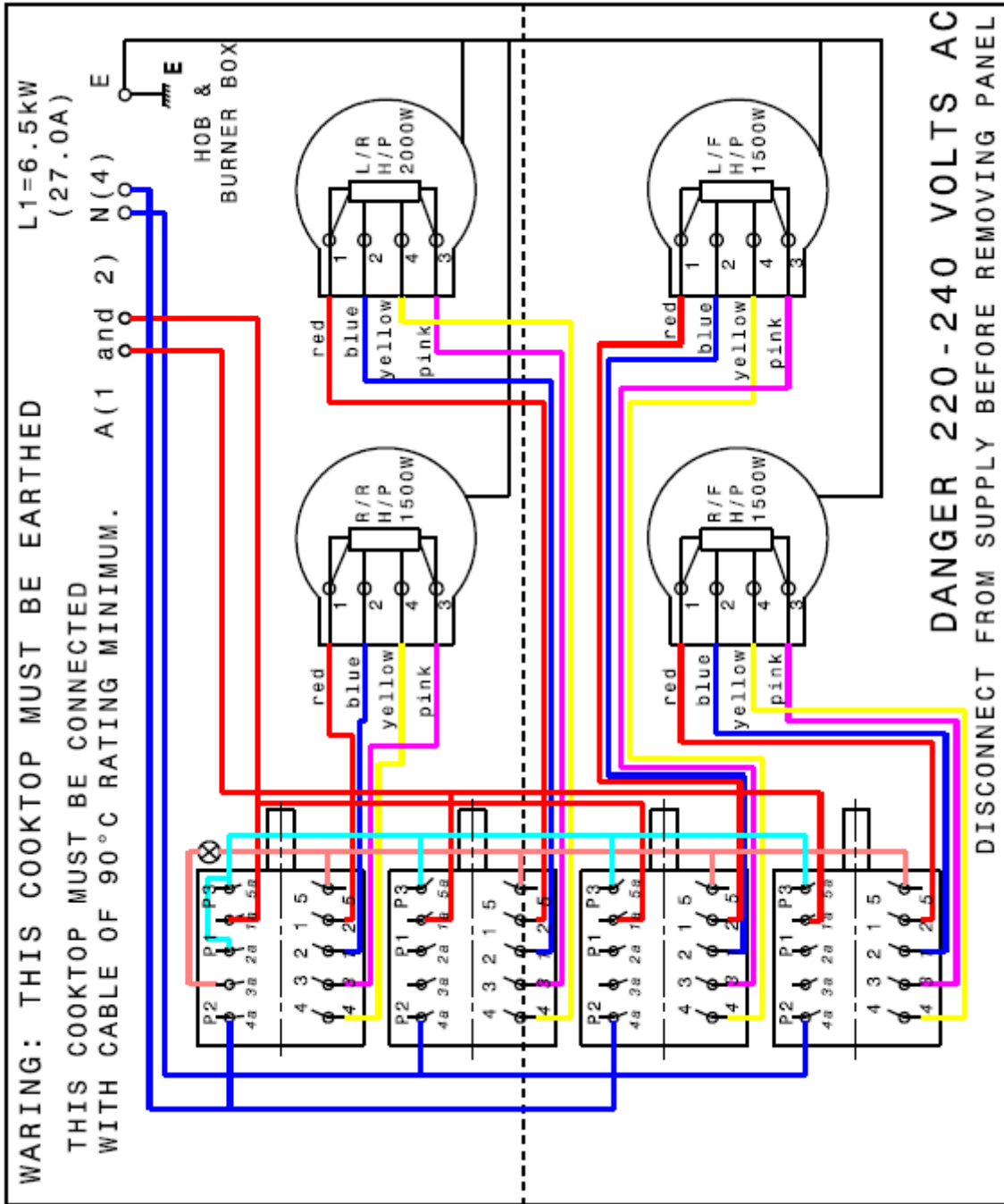
ITEM	PART N°	DESCRIPTION Ex 8570	S	W
1	A18247901	HOB C/TOP - LASER	1	
	A18247902	60CM ENAMEL TOP PLATE ASSY		1
2	A05594902	HOTPLATE 2000W 180mm 240V	1	1
3	A05594501	HOTPLATE 1500W 145mm 240V	3	3
4	A17522105	KNOB S/S	4	
	A17522104	KNOB WHITE		4
5	65009254	NUT METRIC M12 X 1.00	2	2
6	305522100	SEAL SURROUND HOB 2330MM	1	1
7	0609100269	LIGHT INDICATOR INC LENS	1	1
8	305385802	CLAMP PAN 180 MM DE-GREASED	1	1
9	305385801	CLAMP PAN 145 MM DE-GREASED	3	3
10	271001211	SPACER TUBE ALUMINIUM 6MM	8	8
11	30024111	BRACKET	2	2
12	305517601	HEXAGON NUT WITH WASHER	8	8
13	305434601	SERRATED LOCK WASHERS INTERNAL	2	2
14	A05826201	WIRE HARNESS 170mm	1	1
15	A05826202	WIRE HARNESS 400mm	1	1
16	A05826202	WIRE HARNESS 400mm	1	1
17	A05826201	WIRE HARNESS 170mm	1	1
18	389083201	7 STEP ROTARY SWITCH	4	4
20	561804340	TERMINAL BOX	1	1
21	305338308	WASHER	8	8
22	305376102	SCREW (ST4.2*18F)	4	4
23	A00561202	CLAMP BURNER BOX	4	4
N.I.	A07275001	RUBBER SEAL	4	4
N.I.	305614800	SCREW M4x8 WITH PAD	8	8

MODEL: WHS642SC

WHS642WC

CIRCUIT DIAGRAM

A12241701



WARNING

IT IS ILLEGAL FOR PERSONS OTHER THAN LICENSED ELECTRICAL MECHANICS OR PERSONS AUTHORISED BY LEGISLATION TO WORK ON THE FIXED WIRING OF ANY ELECTRICAL INSTALLATION. PENALTIES FOR CONVICTION ARE SEVERE.

IMPORTANT SAFETY NOTICE

This diagram has been prepared for use by electrically qualified service technicians. Electrolux cannot be held responsible for the interpretation of its service publications nor for any injury or damage that may occur in connection with their use.

Publication Version Control Chart

Issue Number	Reason	Date
1	Original Document	3/20