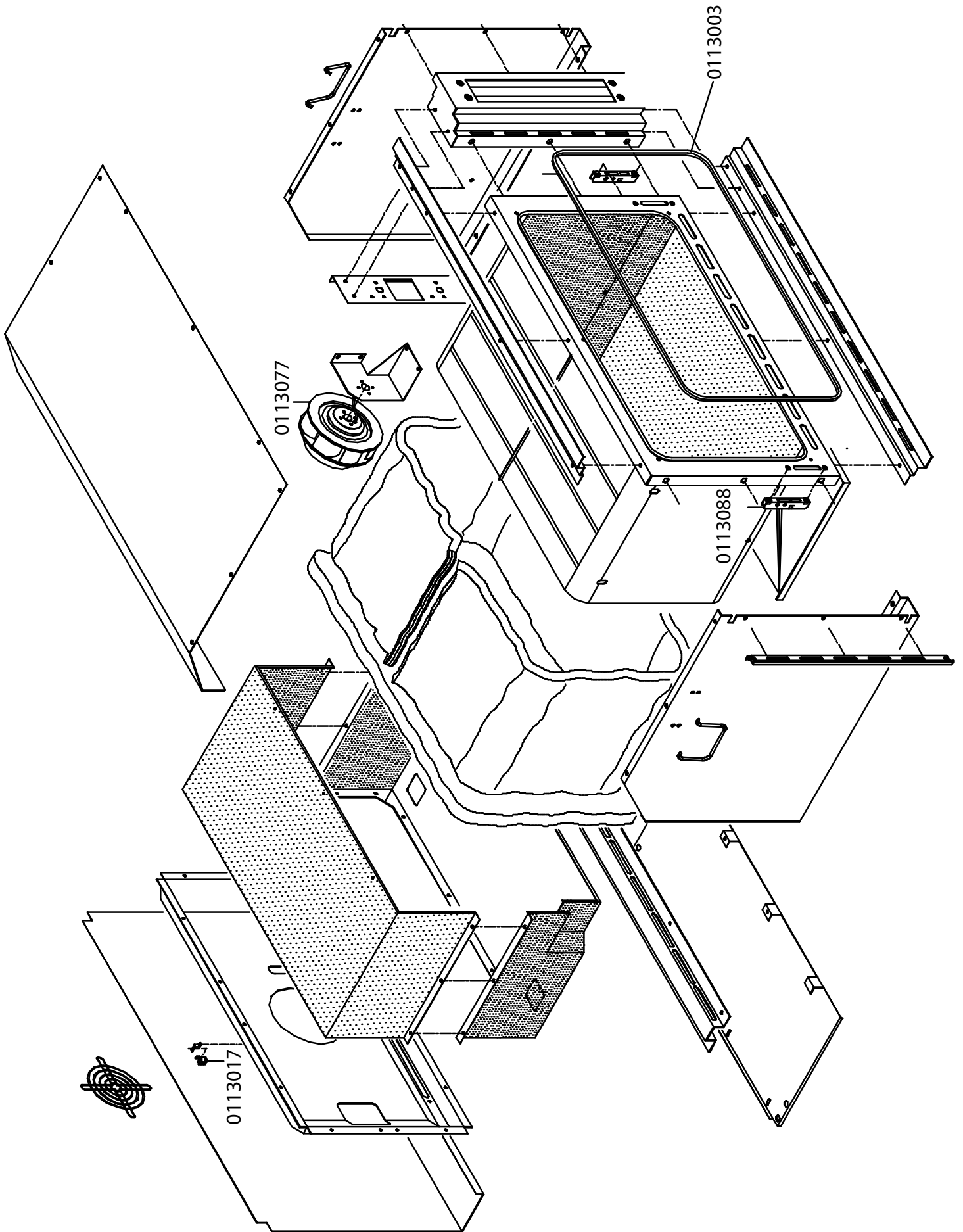
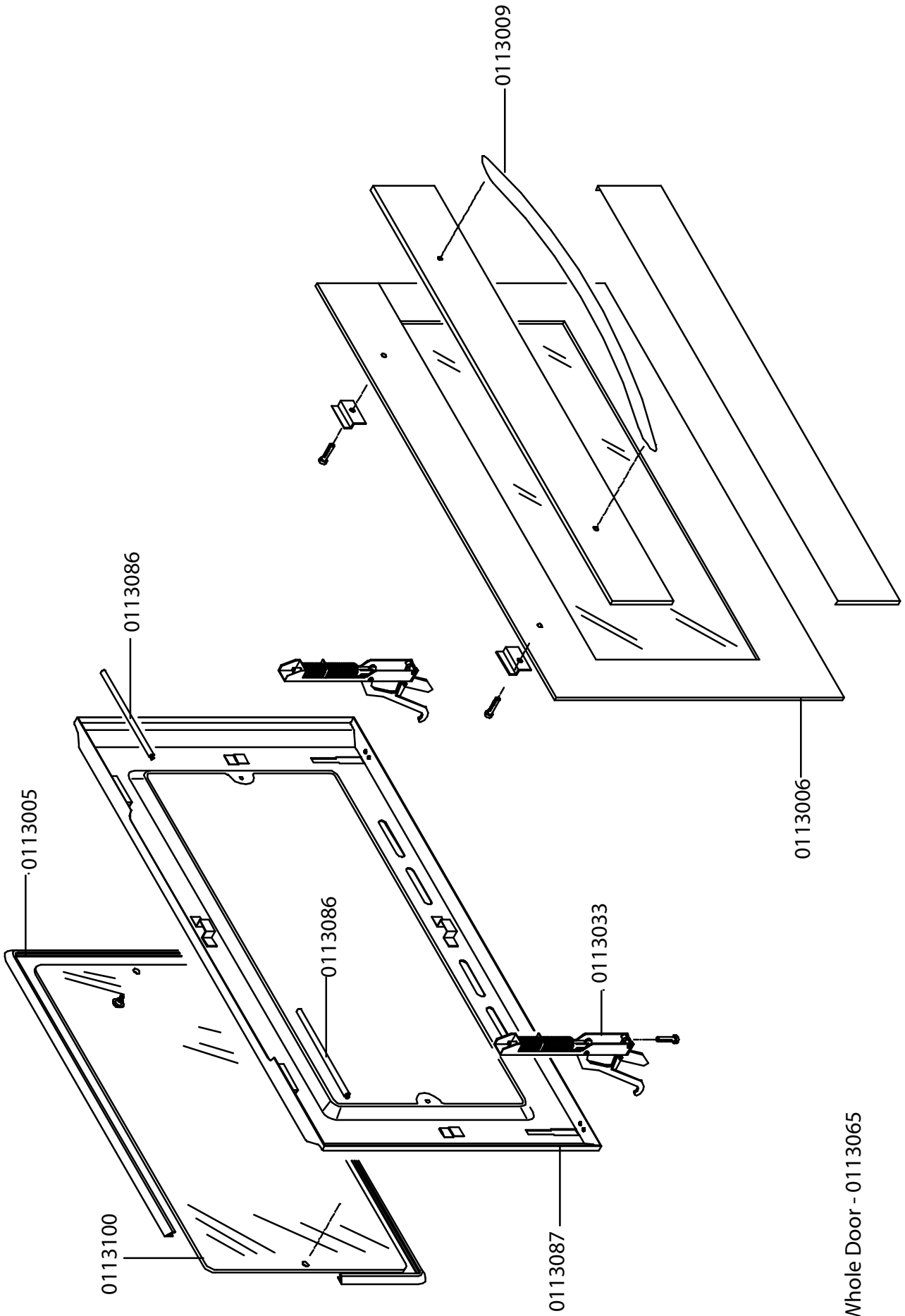


Service Manual

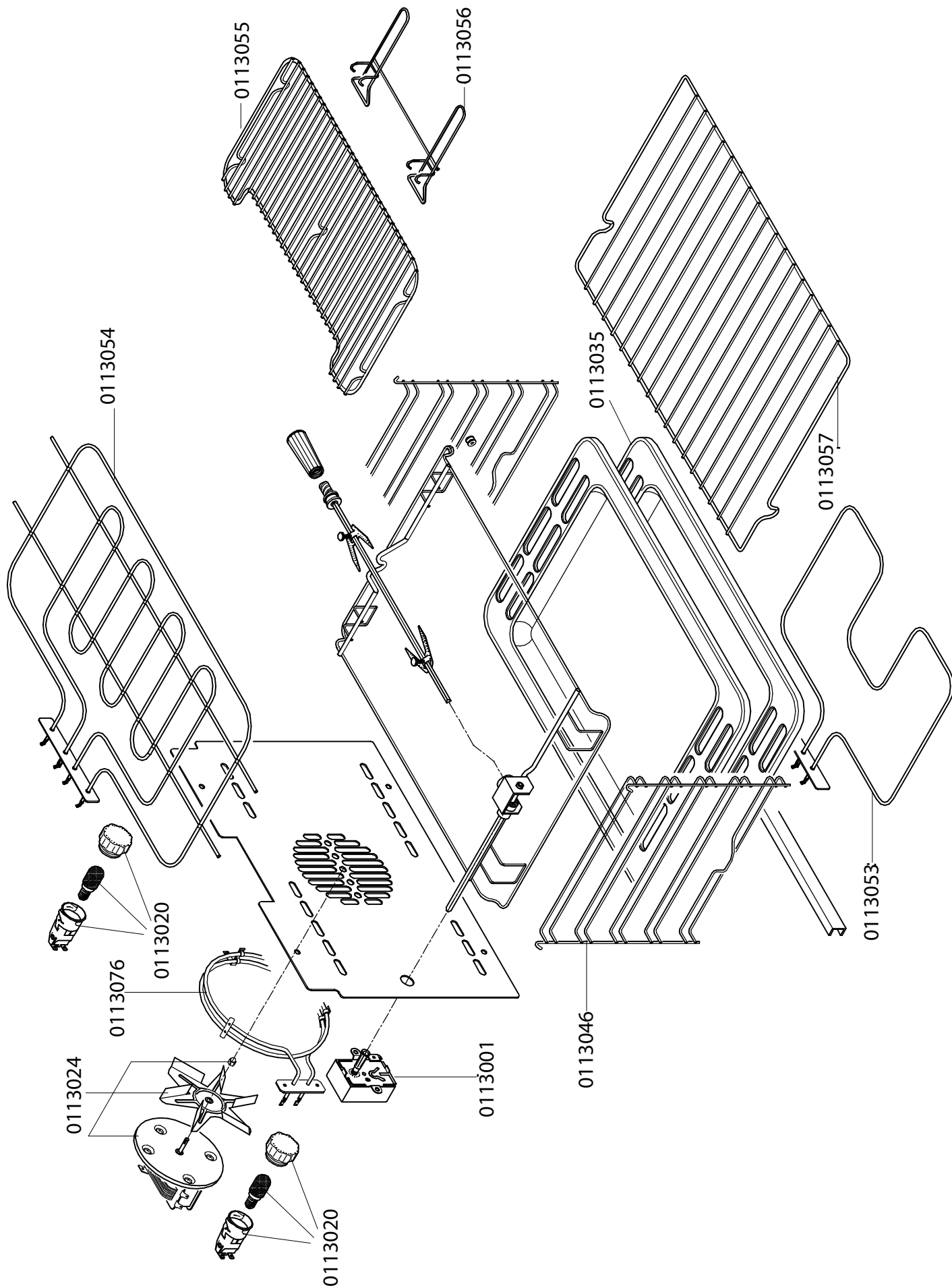
MODEL: **CB900**. PRODUCT: **900 ELECTRIC OVEN**

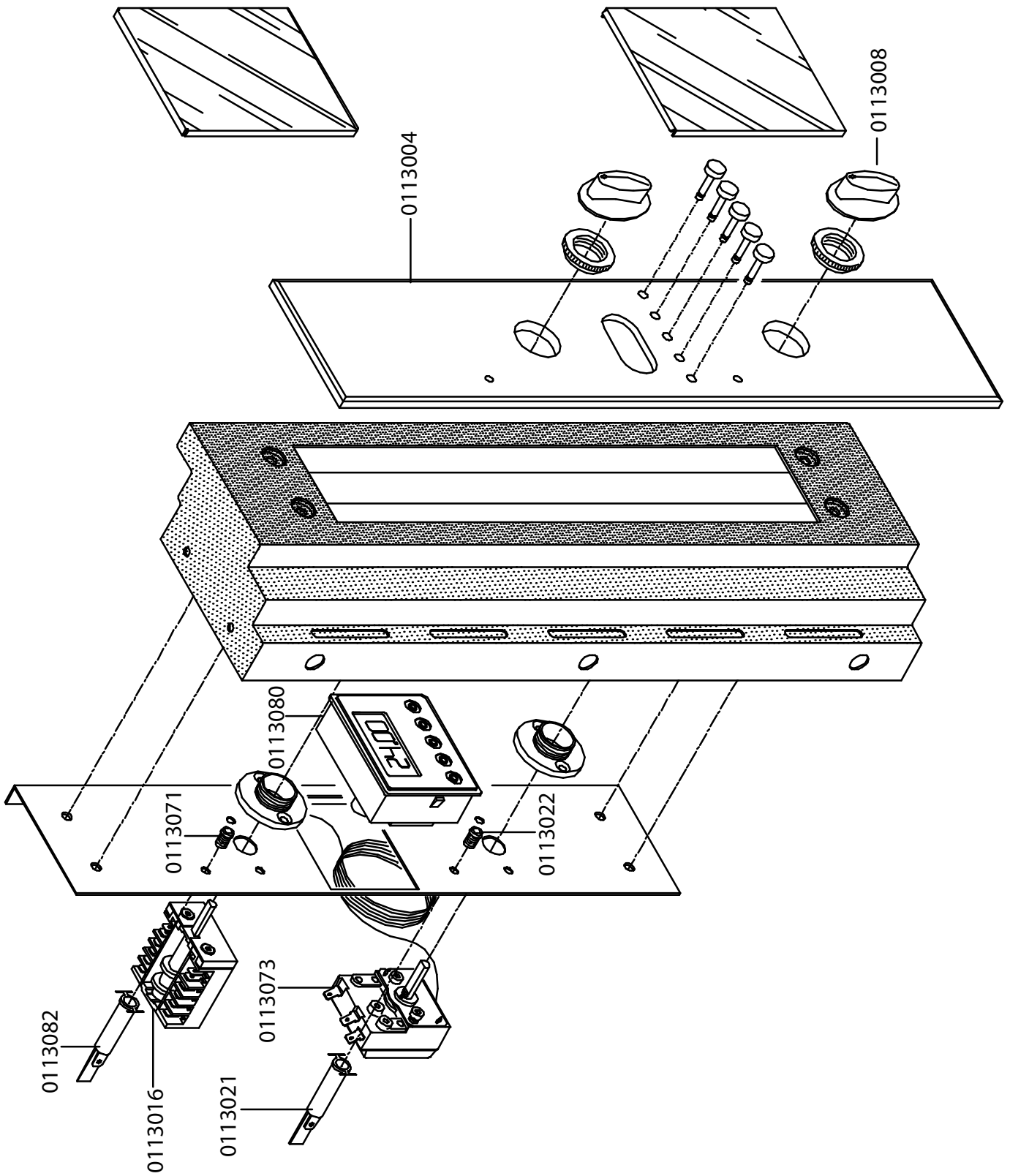
Disclaimer. The information contained in this service manual is intended for licensed service personnel only.





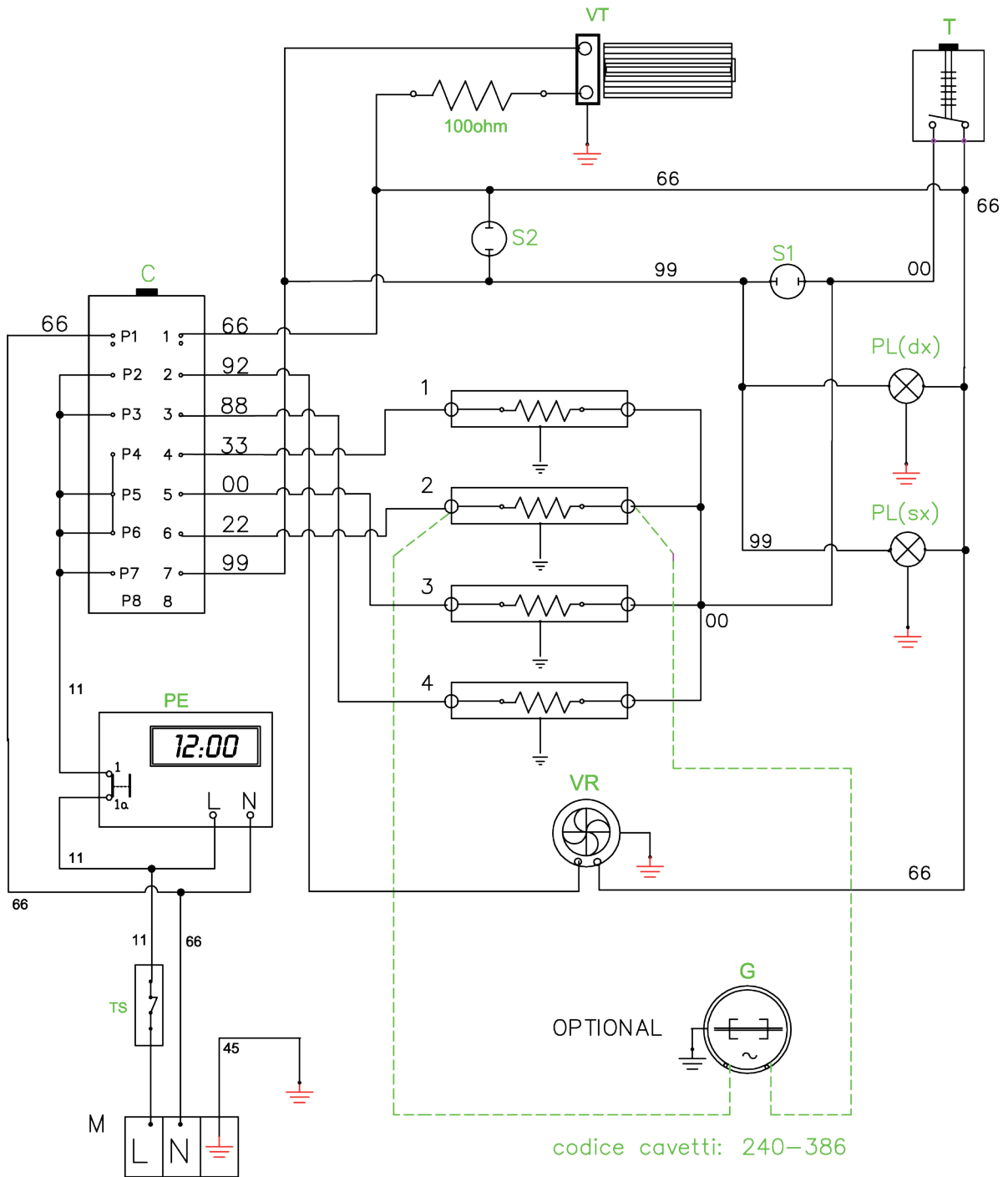
Whole Door - 0113065





PART NUMBER	DESCRIPTION
* 0113001	Spit Motor
0113003	Rubber Door Seal
0113004	Control Panel (stainless steel)
0113005	Rubber Seal
0113006	Front Panel (stainless steel)
0113008	Knobs (stainless steel)
0113009	Handle (stainless steel)
0113016	Selector
0113017	Safety Device (145degrees)
0111021	Lamp & Holder
0102059	Control Panel Light
0214122	Yellow Light Cover
0113024	Motor Fan
0113033	Hinge
0113035	Drip Tray
* 0113046	Wire Side Rack Support
0113053	Bottom Element
0113054	Top Griller Element
* 0113055	Griller Rack
0113056	Griller Rack Handle
0113057	Oven Rack
0113065	Whole Door (stainless steel)
0113071	Green Light Cover
0113073	Thermostat (double bulb)
0113076	Circular Element (2500W/230V)
0113077	Cooling Fan
0113080	Programmable Timer
0102058	Control Panel Light
0113086	Rubber Door Seal
* 0113087	Counter Door
0113088	Hinge Support
0113100	Inner Glass Door

* part no longer available



intersource
SOLUTIONS

PO Box 7785, Baulkham Hills BC, NSW 1755 Australia
spares@intersource.co |1300 985 815