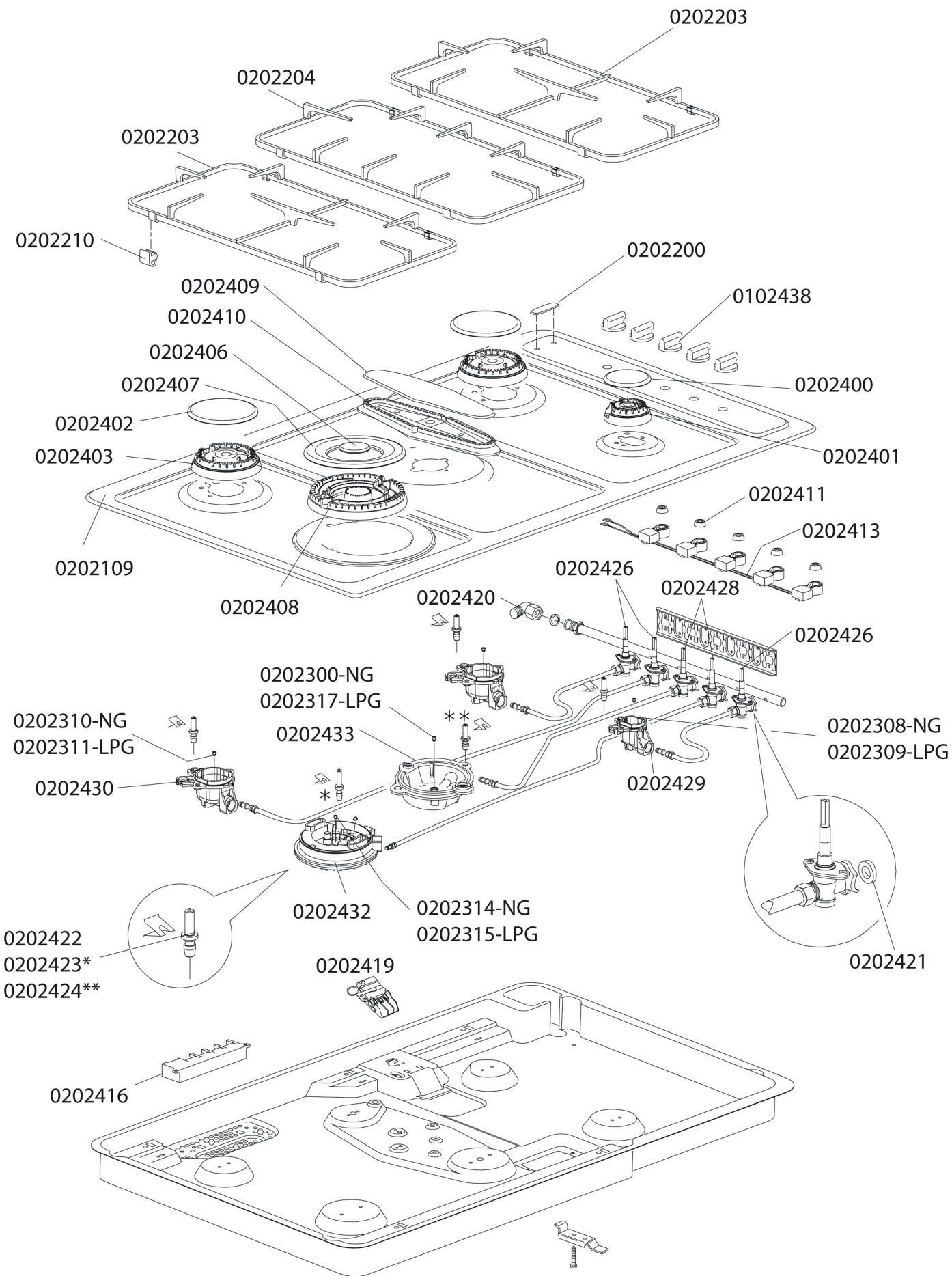


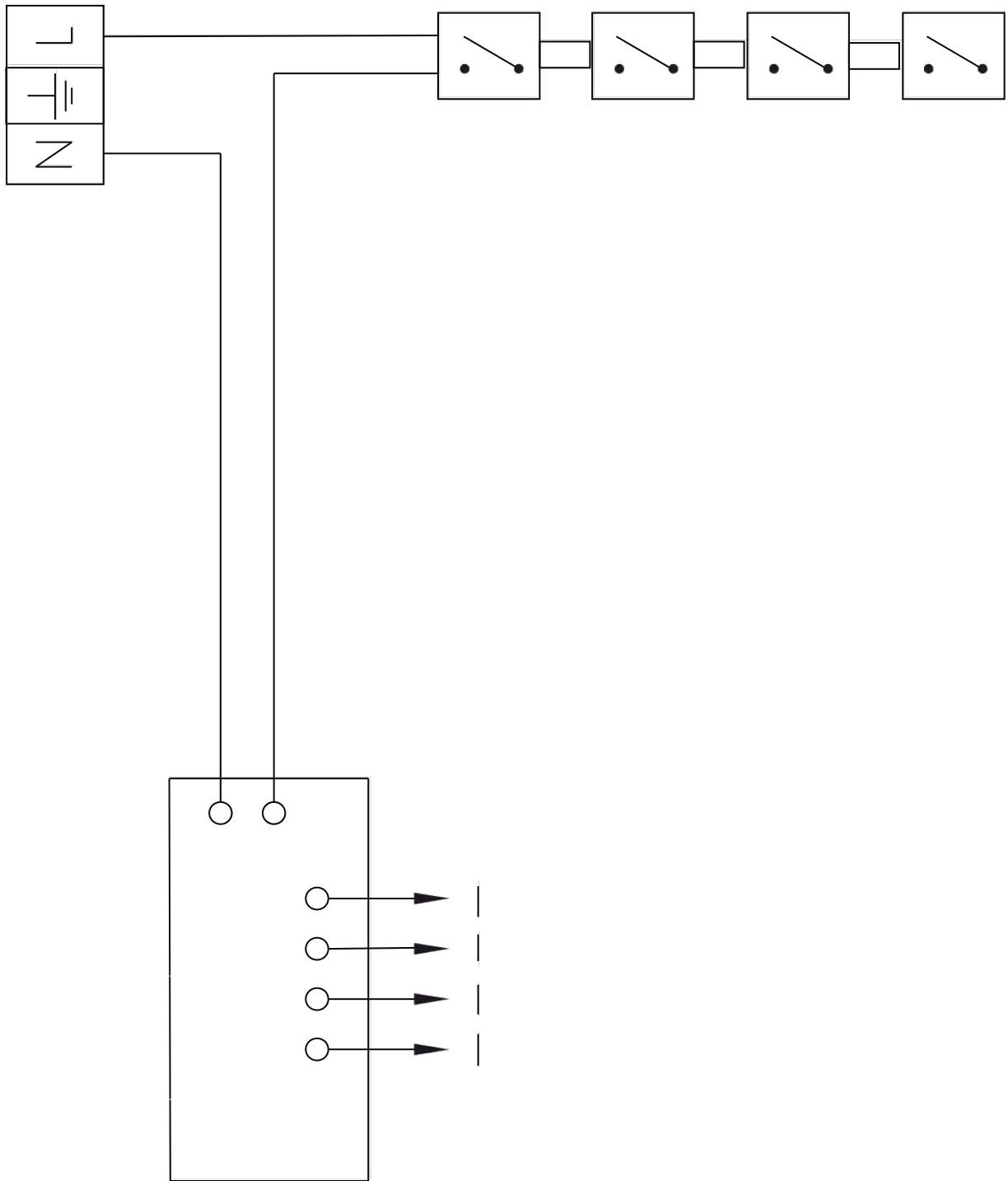
Service Manual

MODEL: **AUTU90-3GWF**. PRODUCT: **900 GAS HOB WITH WOK AND FISH**

Disclaimer. The information contained in this service manual is intended for licensed service personnel only.



PART NUMBER	DESCRIPTION
0102438	Knobs (stainless steel)
0202109	Cooktop Top
0202200	Tuscany Label
0202203	Cast Iron Trivet
0202204	Cast Iron Trivet (centre)
0202210	Rubber Feet (cast iron)
0202300	0.90 Gas Jet (aux-NAT)
0202308	0.92 Gas Jet (aux.NAT)
0202309	0.56 Gas Jet (aux.LPG)
0202310	1.17 Gas Jet (semi.NAT)
0202311	0.70 Gas Jet (semi.LPG)
0202314	Gas Jet (wok.NAT)
0202315	Gas Jet (wok.LPG)
0202317	Gas Jet (fish.LPG)
0202400	Aux Burner Cap
0202401	Aux Burner Diffuser
0202402	Semi-Rapid Burner Cap
0202403	Semi-Rapid Burner Diffuser
0202406	Inner Wok Burner Cap
0202407	Outer Wok Burner Cap
0202408	Wok Burner Diffuser
0202409	Fish Burner Cap
0202410	Fish Burner Diffuser
0202411	Switch Cover
0202416	Ignition Generator
0202419	Terminal Block
0202420	Gas Connector
0202421	Rubber Seal (gas tap)
0202422	Ignition Candle
0202423	Ignition Candle (wok)
0202424	Ignition Candle (fish)
0202426	Gas Tap
0202428	Gas Tap (wok)
0202429	Aux Burner Cup
0202430	Semi-Rapid Burner Cup
0202432	Ultra-Rapid Burner Cup
0202433	Fish Burner Cup



intersource
SOLUTIONS

PO Box 7785, Baulkham Hills BC, NSW 1755 Australia
spares@intersource.co | 1300 985 815