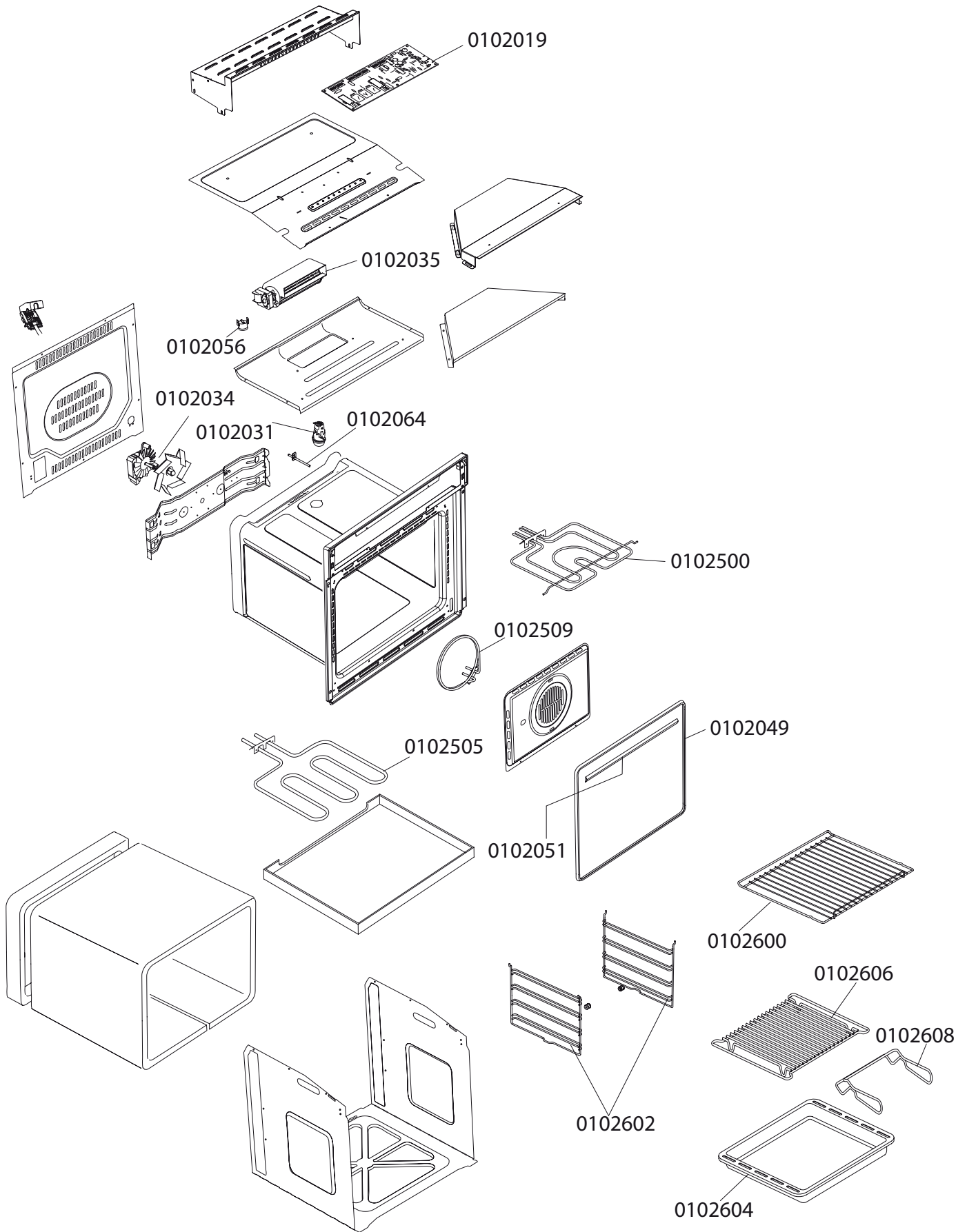
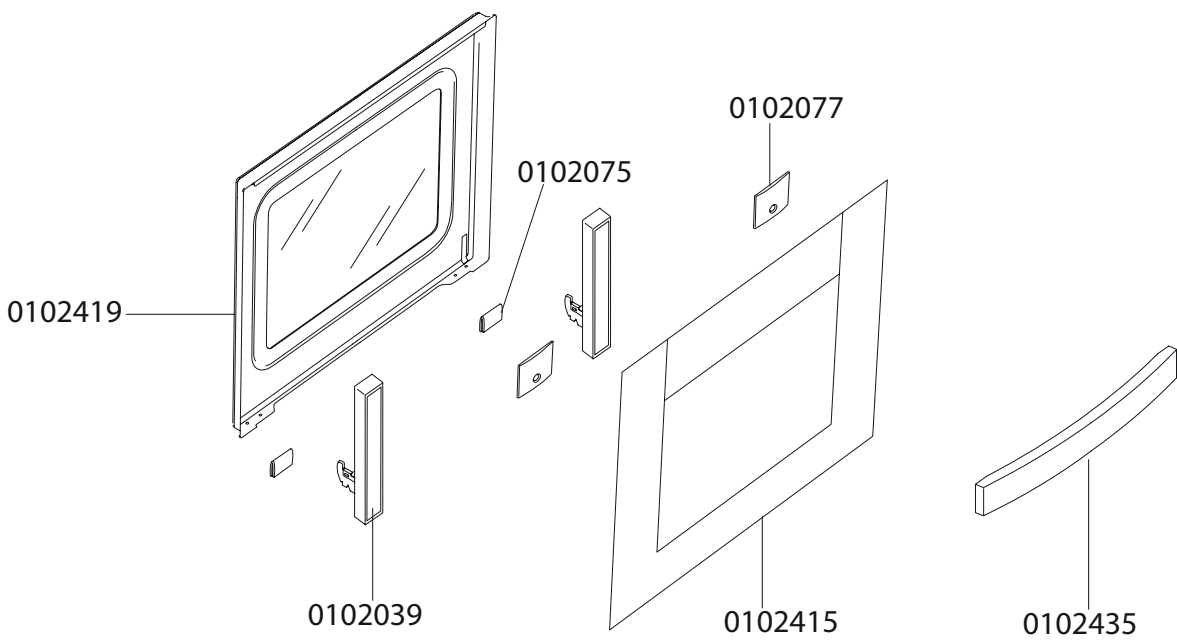
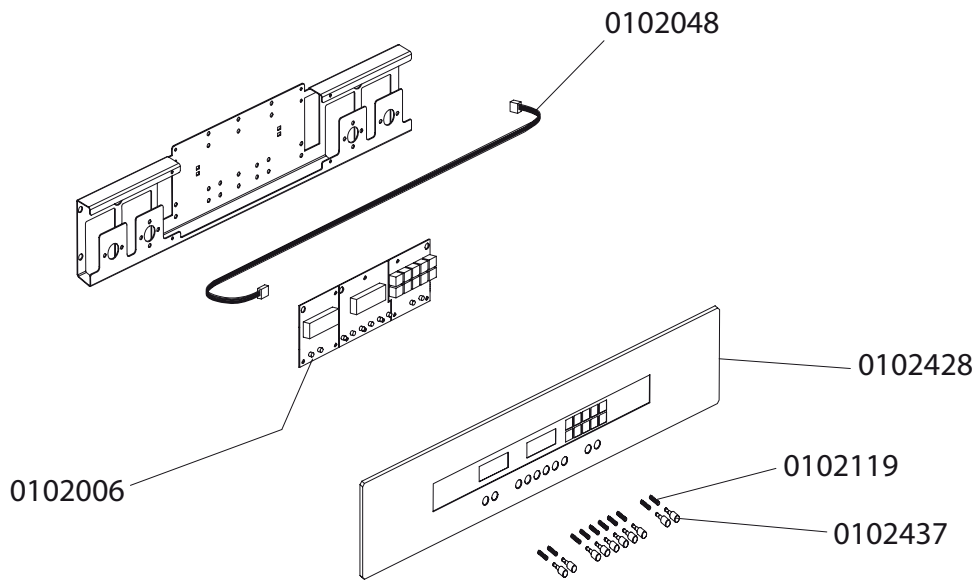


Service Manual

MODEL: **AUTU3-10M60**. PRODUCT: **600 ELECTRIC OVEN**

Disclaimer. The information contained in this service manual is intended for licensed service personnel only.

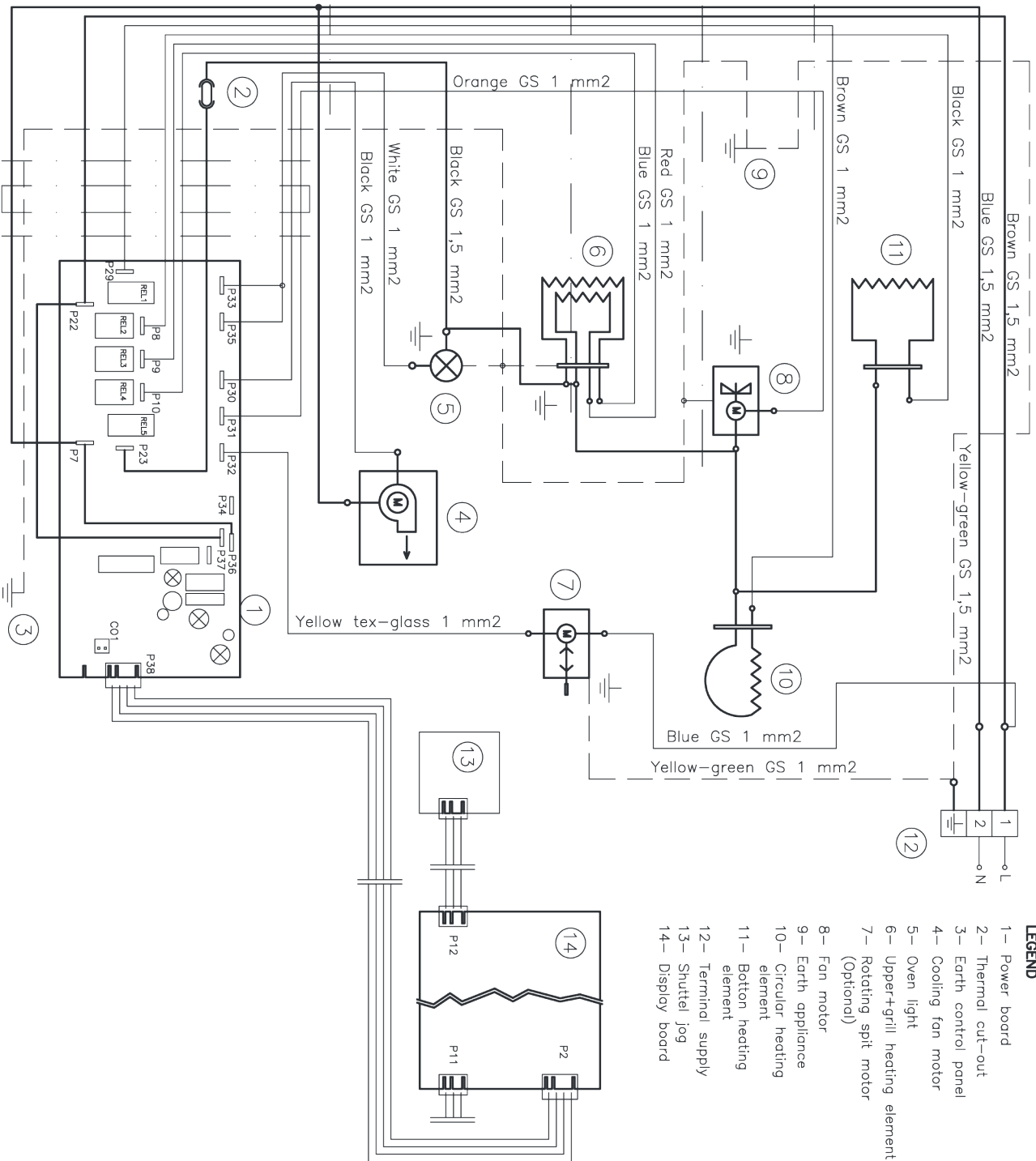




Whole Door-0102402

PART NUMBER	DESCRIPTION
0102019	Display + Circuit PCB
0111021	Lamp
0102034	Motor Fan (30W-230V)
0102035	Cooling Fan (18W/22W-220V)
0102039	Hinge
0102048	Display Power Cord
0102049	Rubber Door Seal
* 0102051	Rubber Door Seal
0102613	Safety Device (140degrees)
0102064	Thermostat Sensor
* 0102075	Rubber Stopper
0102077	Door Handle Support
0102402	Whole Door
0102415	Door Panel
0102419	Counter Door
0102428	Control Panel
0102435	Handle
0102437	Programmable Timer Button + Spring
0102500	Top Element (1000W/1200W-240V)
0102505	Bottom Element (1100W-240V)
0102509	Circular Element (2300W-240V)
* 0102600	Oven Rack
* 0102602	Wire Side Rack
* 0102604	Enamel Drip Tray
0102606	Drip Tray Insert
* 0102608	Grill Pan Handle

* part no longer available



LEGEND

- 1- Power board
- 2- Thermal cut-out
- 3- Earth control panel
- 4- Cooling fan motor
- 5- Oven light
- 6- Upper+grill heating element
- 7- Rotating spit motor (Optional)
- 8- Fan motor
- 9- Earth appliance
- 10- Circular heating element
- 11- Bottom heating element
- 12- Terminal supply
- 13- Shuttel jog
- 14- Display board

SYMBOL LEGEND

- P33 + P35= oven light
- P30= cooling fan motor
- P31= fan motor
- P32= rotating spit motor (Optional)
- P29= circular heating element
- P8= bottom heating element
- P9= grill heating element
- P10= upper heating element
- P23= neutral
- P22 + P37= Line
- P7 + P36= Neutral
- C01= Temperature probe
- P2 + P38= Connection boards
- P11 + P12= Shuttel jog connection
- VS= Tex-glass
- GS= Silicon rubber

- Black GS 1.5 mm2 (Colour) (type) (section mm2)
- Protective tex-glass
- Fixing wires
- Earth wire

intersource
SOLUTIONS

PO Box 7785, Baulkham Hills BC, NSW 1755 Australia
spares@intersource.co | 1300 985 815