

Platinum.TM

Service Manual

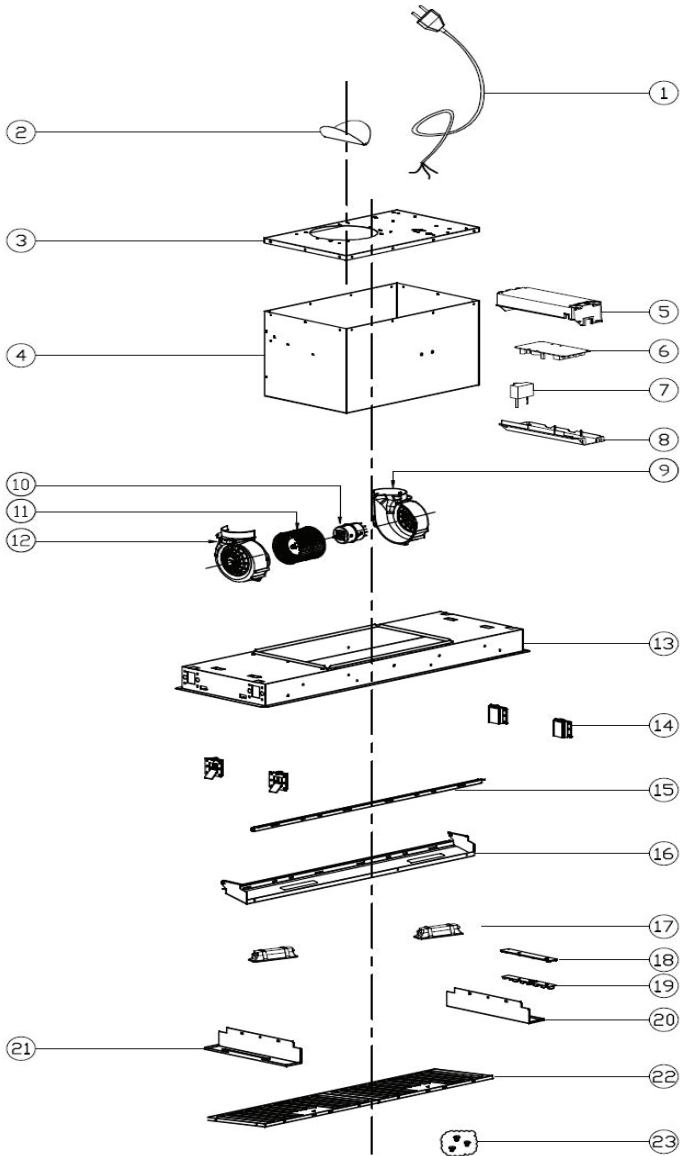
Undermount Hoods

AUPL-UH85BXL

DISCLAIMER

The information contained in this Service Manual
is intended for licensed service personnel only.

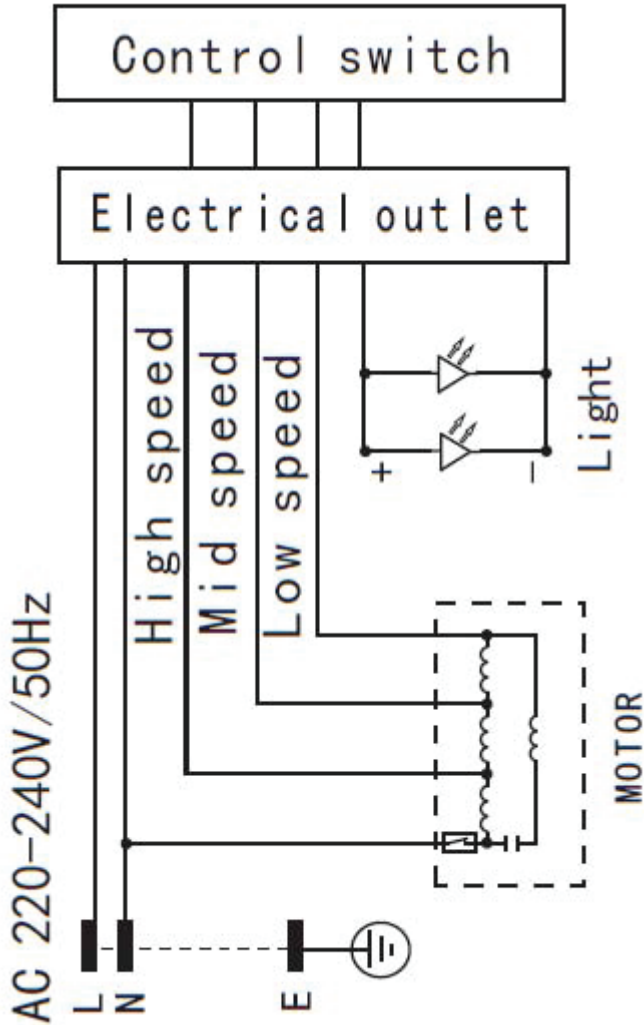
Exploded View



Parts List

ID	PART NUMBER	DESCRIPTION
1	2306011.501	Power Cord with 10A Plug
2	2306011.401	Non-Return Flaps
6	2399532	PCB
7	2399575	Capacitor (450VAC)
9-12	2399553	Whole Motor Assembly C64
14	2399085	Bracket Assembly (Set of 4)
16	2399086	Lamp Plate Cover
17	2399555	1.5W LSD-I LED Light
18+19	2399533	Switch Assembly
20	2399087	Right Front Panel
21	2399088	Left Front Panel
22	2399912	850mm Baffle Filter (1) - Rectangular - Single
23	2399127	Installation Screw (kit)

Wiring Diagram




Notes


Platinum.™


CONTACT DETAILS

Australia

Platinum Appliances

 PO Box 7785
Norwest NSW 2154

 1300 985 815

 customercare@platinumappliances.com.au

 platinumappliances.com.au

Platinum is committed to ongoing research and development. Every effort has been made to ensure all information in this service manual is correct at time of going to print. Dimensions should only be used as reference only and actual dimensions should be taken from the physical product only.

Manufacturers reserves the right to change specifications without notice.

Version 1.0

| platinumappliances.com.au