

Platinum.™

Service Manual

Undermount Hoods

AUPL-UH52X & AUPL-UH75X

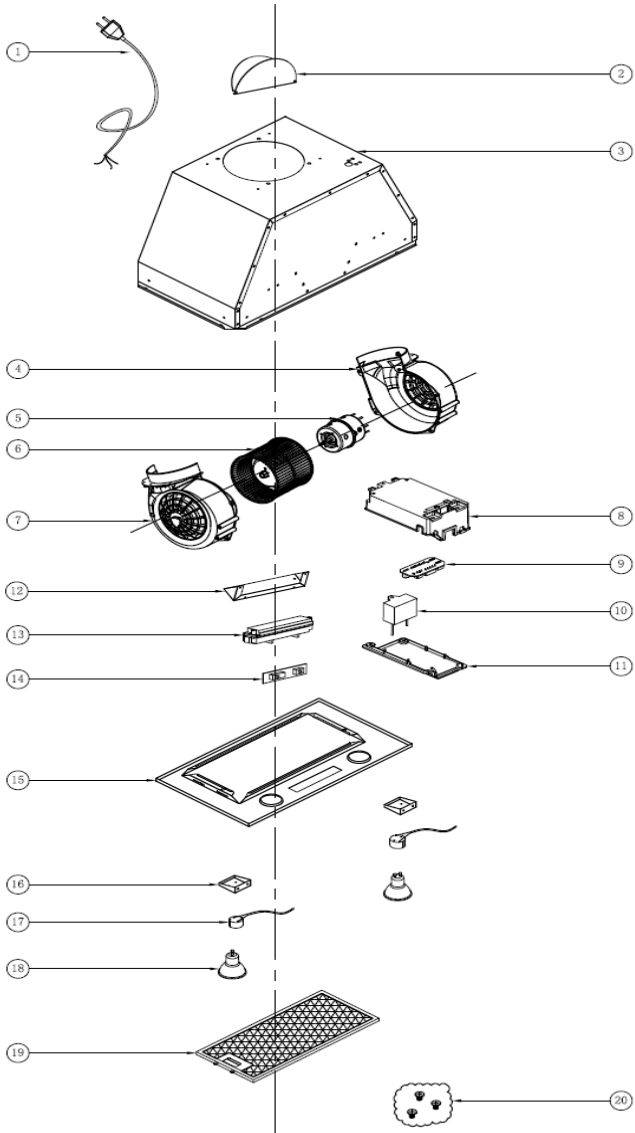
AUPL-UH52XL , AUPL-UH75XL & AUPL-UH90XL

AUPL-UH52AXL & AUPL-UH75AXL

DISCLAIMER

The information contained in this Service Manual
is intended for licensed service personnel only.

Exploded View



Parts List

ID	PART NUMBER	DESCRIPTION
1	2306011.501	Power Cord with 10A Plug
2	2306011.401	Non-Return Flaps
4-7	2306011.002	Motor Assembly (100W)
	2399513**	Motor Assembly (190W)
	2399552 ⁽ⁱⁱ⁾	Motor Assembly C9 (190W) + Connector
*	2306011.005*	Carbon Filter (2) - circular - set of 2
9	2399524 ⁽ⁱⁱ⁾	⁽ⁱⁱ⁾ PCB Connection
	2399535 ⁽ⁱⁱ⁾	⁽ⁱⁱ⁾ Capacitor (190W motor)
13-14	2306011.505	Slide Switch - 520
	2399516	Slide Switch - 750
	2399517	Slide Switch - 900
	2399544 ⁽ⁱⁱ⁾	⁽ⁱⁱ⁾ Slide Switch - 520/750/900 + Cord & Connector to suit PCB Connection
15	2306011.101	Panel (520mm)
	2306012.101	Panel (750mm)
	2399106	Panel (900mm)
17	2306011.506	Lamp Socket
18	2306011.507	40W Halogen Light GU10
	2399502	3W LED Light GU10-3E
	2399527 ⁽ⁱⁱ⁾	⁽ⁱⁱ⁾ 3W LED Light GU10-3F
19	2306011.001	520mm Aluminium Panel Filter (1) -rectangular- single
	2306012.001	750mm Aluminium Panel Filter (1) -rectangular- single
	2399907 ⁽ⁱ⁾	900mm Aluminium Panel Filter (1) -rectangular- single
	2399910 ⁽ⁱ⁾	900mm SMALL Aluminium Panel Filter (1) - rectangular - single

* Optional

** Only applicable for AUPL-UH90XL, AUPL-UH52AXL and AUPL-UH75AX

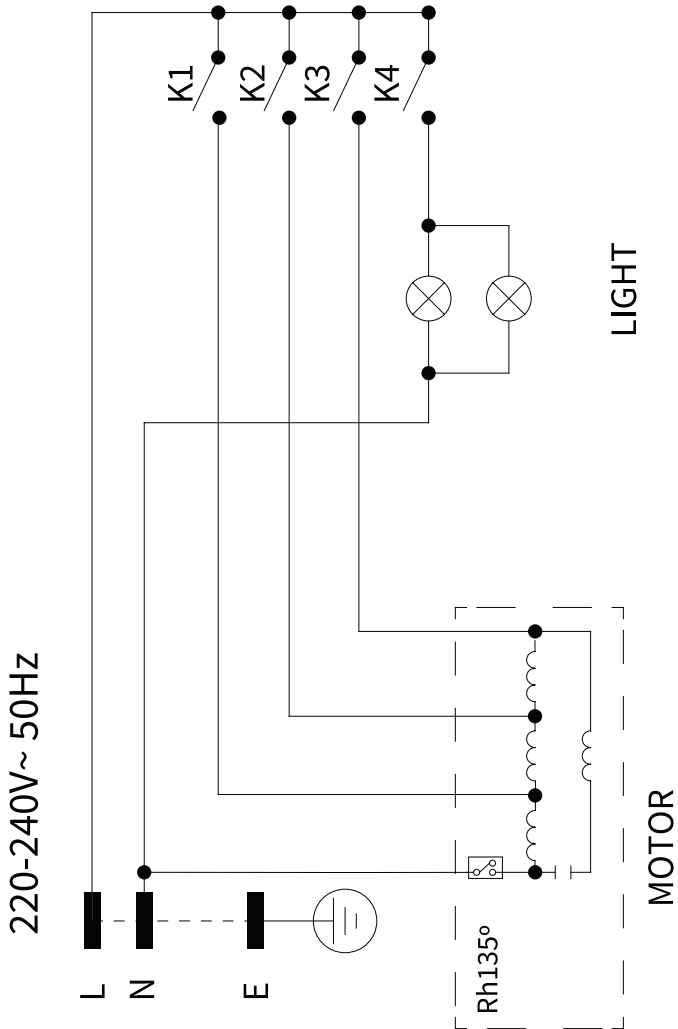
⁽ⁱ⁾ Filters suitable for the 900mm Undermount Models

From SN AT-088060-XXXX, three SMALL filter panels were adopted per unit - spare part sold as a single piece. Old and new filters are interchangeable (2399907 < - > 2399910)

⁽ⁱⁱ⁾ **NOTE:** New Componets were adopted from Product Serial Number AT-09507-00XXX
Internal connections are now done via a PCB instead of a electrical terminal block.

LED Lamp 3W GU10-3F (2399502 < > 2399527**) - lamps are interchangeable

Wiring Diagram




Notes


Platinum.™

CONTACT DETAILS

Australia

Platinum Appliances

 PO Box 7785
Baulkham Hills BC
NSW 1755

 1300 985 815

 customercare@platinumappliances.com.au

 platinumappliances.com.au

Platinum is committed to ongoing research and development. Every effort has been made to ensure all information in this service manual is correct at time of going to print. Dimensions should only be used as reference only and actual dimensions should be taken from the physical product only.

Manufacturers reserves the right to change specifications without notice.

Version 5.3

| platinumappliances.com.au