

Platinum.™

Service Manual

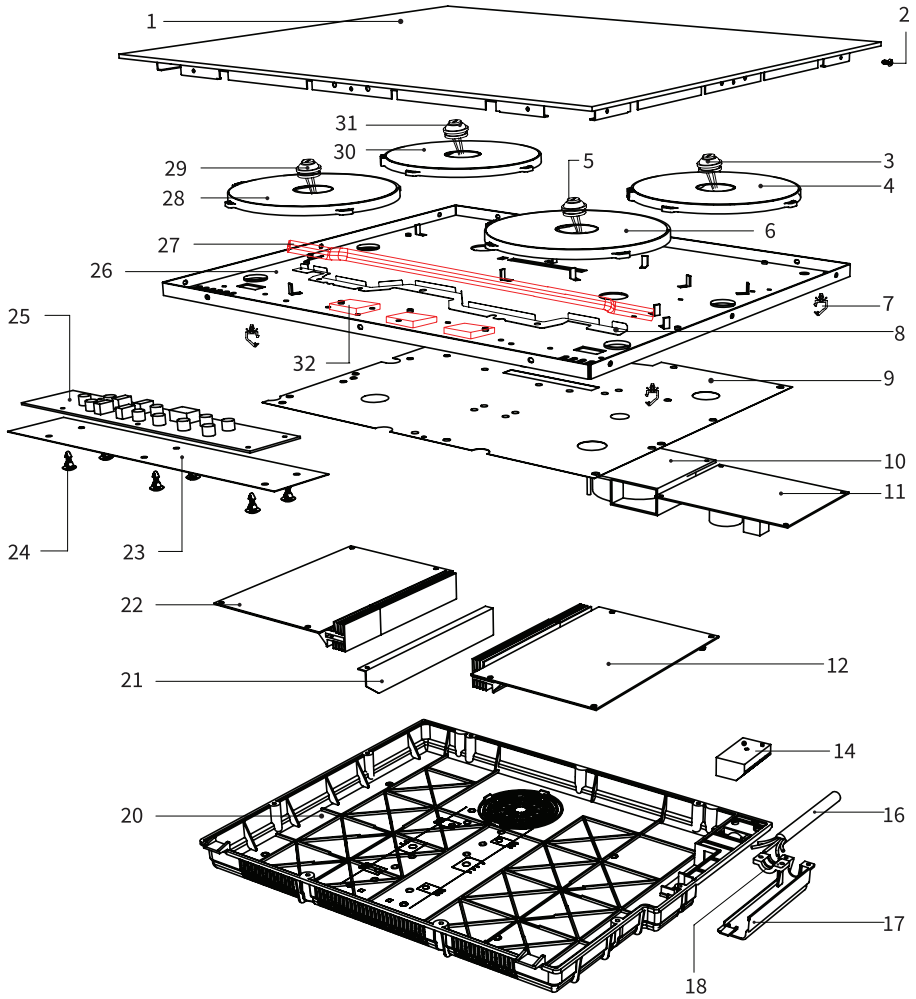
600 Induction Cooktop - Touch

AUPL-ITB60

DISCLAIMER

The information contained in this Service Manual is intended for licensed service personnel only.

Exploded View



Parts List

Item	ISS CODE	DESCRIPTION
1	2201012.001	Glass Assembly
3,29	2299535**	Ceramic Plate Temperature Sensor - 205mm
5,31	2299548**	Ceramic Plate Temperature Sensor - 275mm**
	2299561	Ceramic Plate Temperature Sensor - 275mm (2-pin)
4,28	2299000.501	140 Hot Plate 1200/1500W 220-240V
6,30	2299000.502	220 Hot Plate 2300/2600W 220-240V
7	2299000.906	Wire Clamp
8	2299000.104	Heat Insulation Bracket
9	2299000.907	Insulating Panel B
10	2299000.503	Cooling Fan
11	2299539	Power Accessory
12,22	2299000.505 **	Power Board (3-pin connector) **
	2299000.506	Power Board (2-pin connector)
14	2299542	Junction Port Holder
16	2299543	Power Cord
17	2299000.507	Power Cord Case Cover
18	2299000.401	Fixed Board (Power wire clamp)
20	2299000.402	Base
21	2299000.910	Insulating Windshield
23	2299000.911	Insulating Panel A
24	2299000.403	Board Clip
25	2299000.508	Display Board
26	2299000.509	Radiator Board
27	2299000.912	Silicone Seal
32	2299000.913	Supporting Foam

** The power board design was amended in 2014:

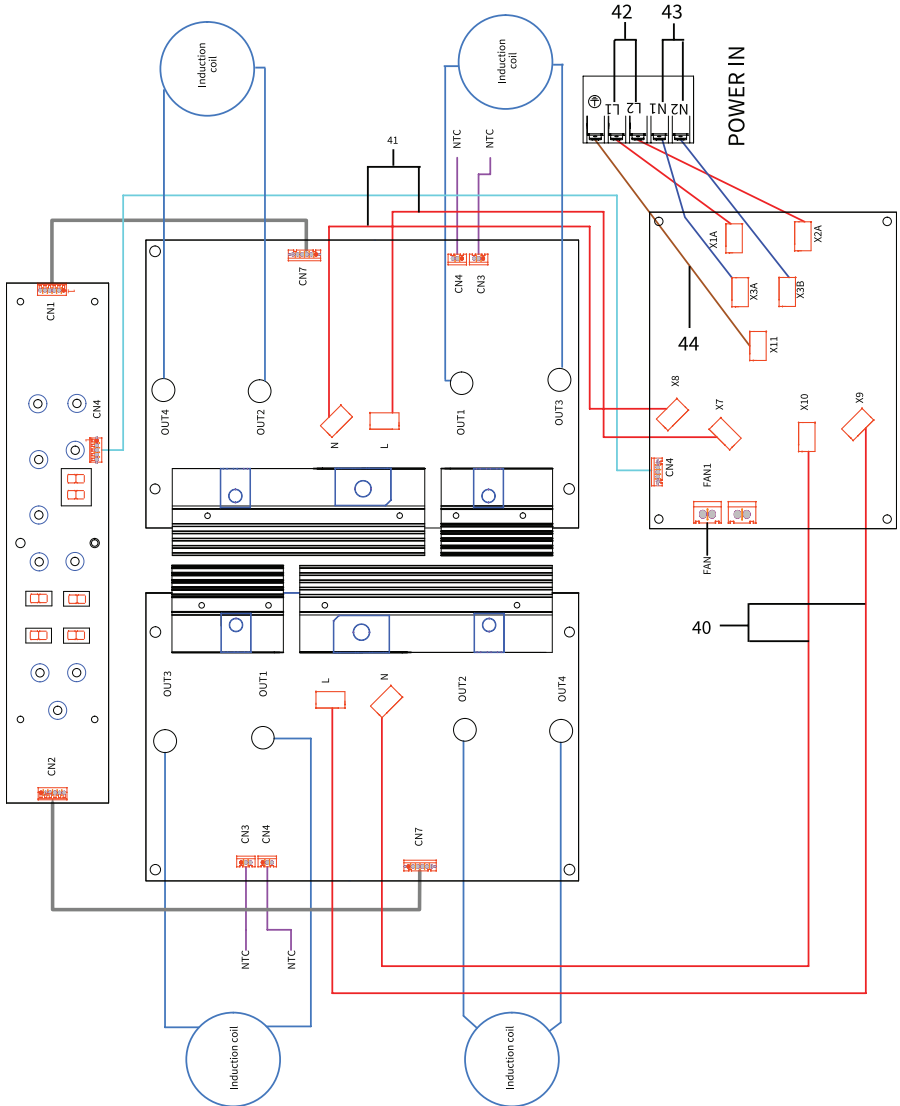
2299000.505 is suitable for serial numbers up to MA-03822-XXXXX (July 2014).

2299000.506 is suitable from serial numbers MA-04990-XXXXX (October 2015).

These two power boards are not interchangeable. (3 and 2-pin connectors)

The change from a 3 to a 2-pin connector also affects one of the Temperature Sensors (2299548). Please refer to codes listed in the table above. Items 5/31.

Wiring Diagram




Notes


Platinum.™


CONTACT DETAILS

Australia

Platinum Appliances

 PO Box 7785
Baulkham Hills BC
NSW 1755

 1300 985 815

 customercare@platinumappliances.com.au

 platinumappliances.com.au

Platinum is committed to ongoing research and development. Every effort has been made to ensure all information in this service manual is correct at time of going to print. Dimensions should only be used as reference only and actual dimensions should be taken from the physical product only.

Manufacturers reserves the right to change specifications without notice.

Version 3.7

| platinumappliances.com.au