

# Platinum.™

## Service Manual

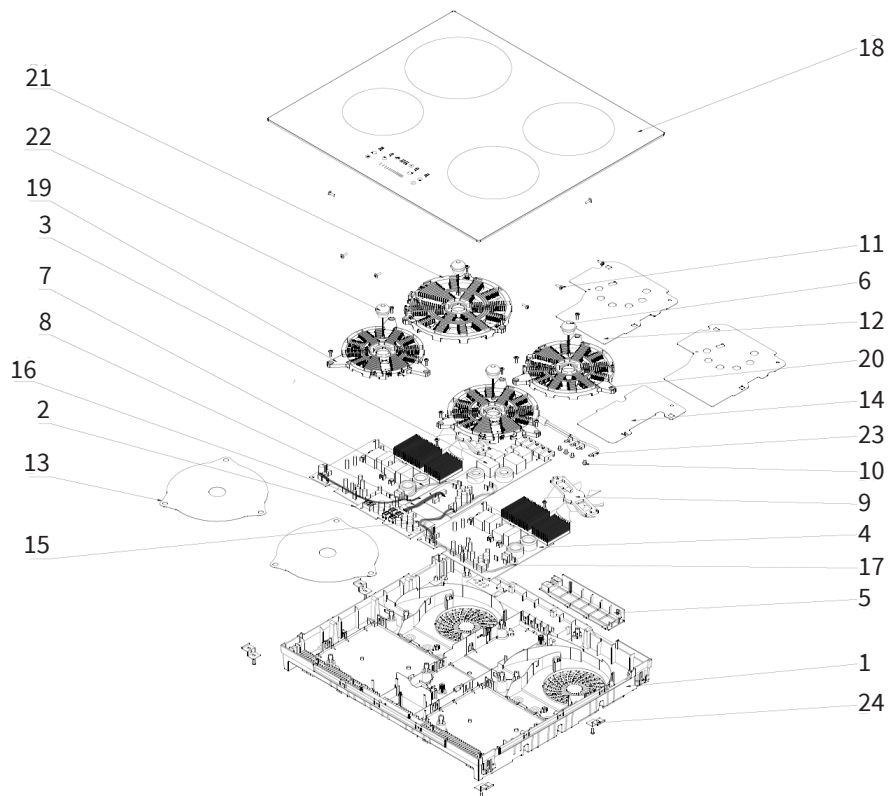
600 Induction Cooktop - Touch

AUPL-IT61B

**DISCLAIMER**

The information contained in this Service Manual is intended for licensed service personnel only.

# Exploded View

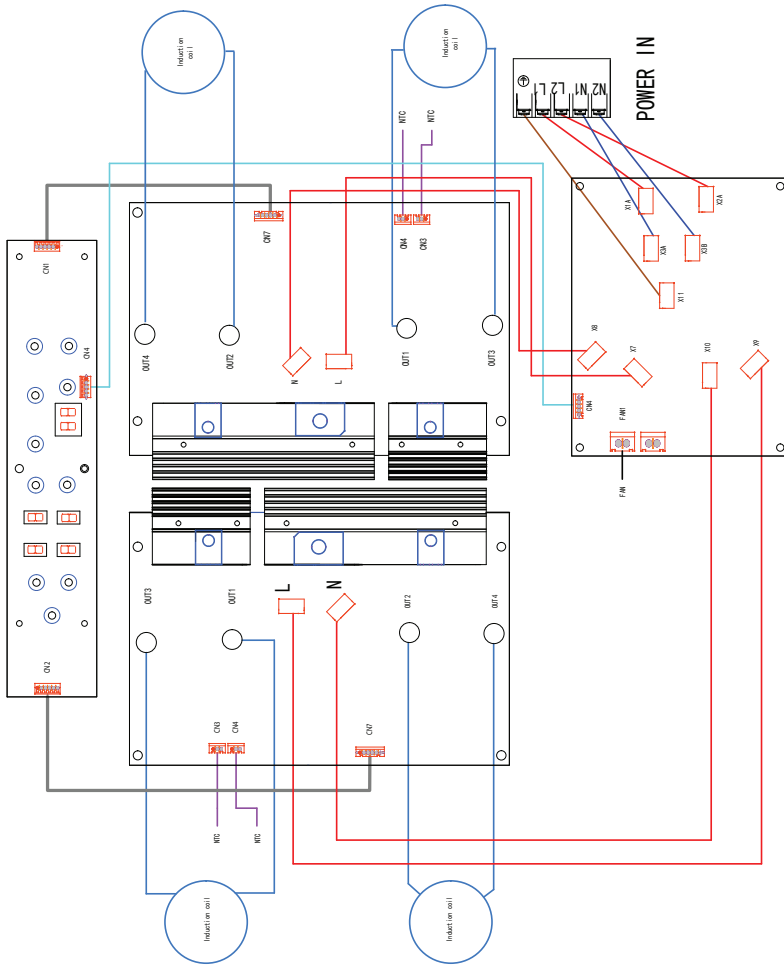


---

# Parts List

Item	ISS CODE	DESCRIPTION
2	2299571	Display Board
3	2299572	Power Acquisition Board
4	2299573	Power Board
6	2299574	Ceramic Plate Temperature Sensor
9	2299575	Cooling Fan
18	2201106	Glass Assembly - AUPL-IT61B
19	2299576	162 Hot Plate 1300/1500W
20	2299577	180 Hot Plate 1800/2000W
21	2299578	210 Hot Plate 2300/2600W
22	2299579	Ceramic Plate Temperature Sensor
23	2299580	Power Cord
24	2299911	Installation brackets + screws

# Wiring Diagram







# Platinum.<sup>TM</sup>


## CONTACT DETAILS

Australia

Platinum Appliances

 PO Box 7785  
Baulkham Hills BC  
NSW 1755

 1300 985 815

 [customercare@platinumappliances.com.au](mailto:customercare@platinumappliances.com.au)

 [platinumappliances.com.au](http://platinumappliances.com.au)

Platinum is committed to ongoing research and development. Every effort has been made to ensure all information in this service manual is correct at time of going to print. Dimensions should only be used as reference only and actual dimensions should be taken from the physical product only.

Manufacturers reserves the right to change specifications without notice.

Version 1.0

| [platinumappliances.com.au](http://platinumappliances.com.au)