

Platinum.™

Service Manual

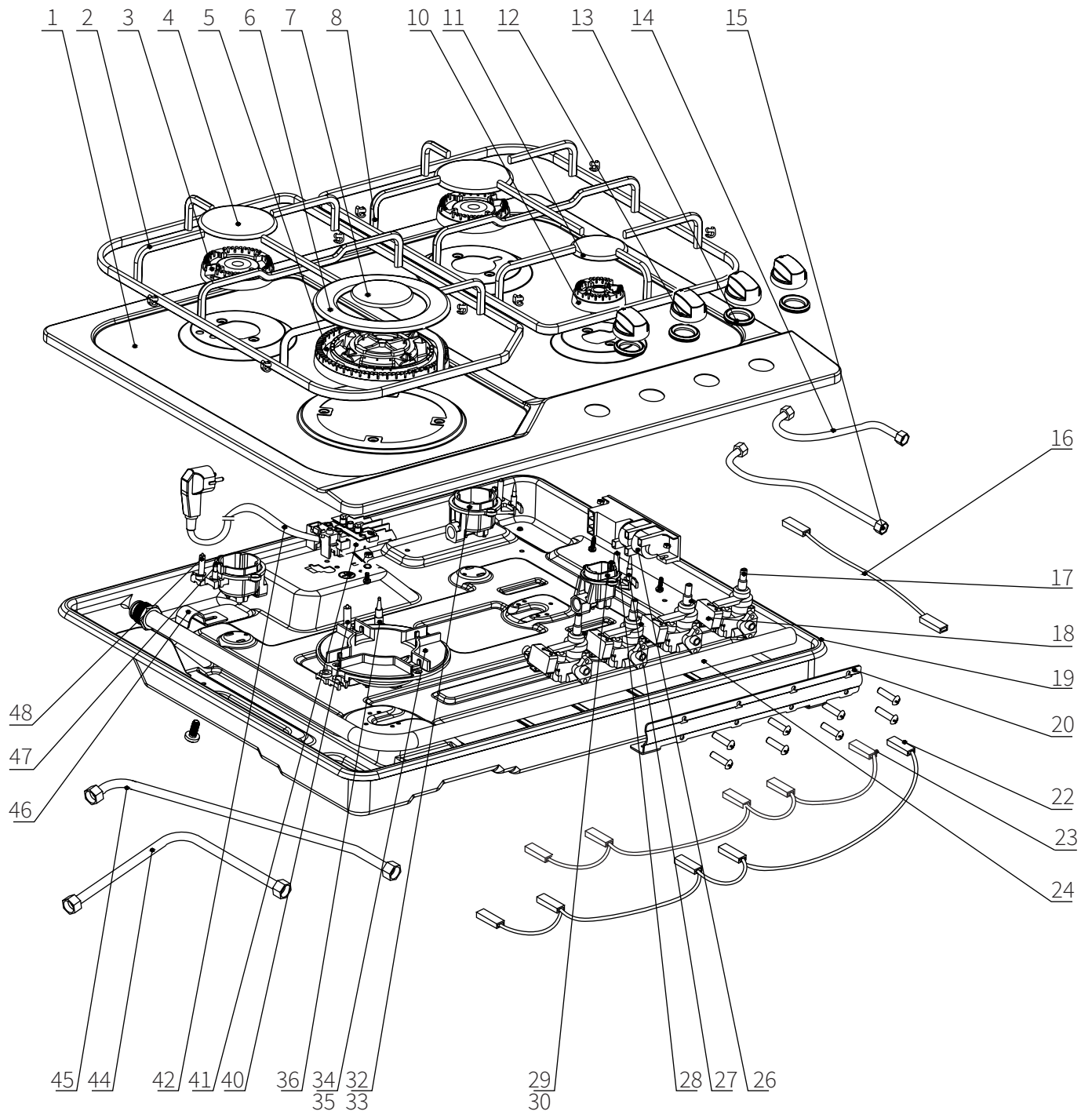
Gas Hob

AUPL-GWF61SS

IMPORTANT

The information contained in this Service Manual is intended for licensed service personnel only. If you have any questions please do not hesitate to contact our customer service team on 1300 985 815

Exploded View



*Exploded view for illustrative purposes. Your internal composition may vary slightly visually but all relevant components are listed in the parts list on page 3 and 4.

Parts List

ID	Part Number	Description
1	2201100	Top plate - stainless steel (Platinum)
2	2299300	Left trivet
3	2299306	Semi-rapid burner diffuser
4	2299305	Semi-rapid burner cap
5	2299313	Wok burner diffuser
6	2299311	Wok outer burner cap
7	2299312	Wok inner burner cap
8	2299301	Right trivet
10	2299303	Aux.burner diffuser
11	2299302	Aux. burner cap
12	2299401	Knob - Silver
13	2299402	Gasket - top plate knob cutouts
14	2299605	Gas pipe - Aux. burner
15	2299606	Gas pipe - rear right semi-rapid burner
16	2299507	Connection wire
17	2299600 ^(A)	Gas valve, FFD - aux. burner including ignition microswitch
	2299653 ^(B)	Gas valve, FFD - aux. burner
17	2299603 ^(A)	Gas valve, FFD - wok burner including ignition microswitch
	2299655 ^(B)	Gas valve, FFD - wok burner
17	2299601 ^(A)	Gas valve, FFD - semi- rapid burner including ignition microswitch
	2299654 ^(B)	Gas valve, FFD - semi- rapid burner
18	2299583 ^(B)	Microswitch wiring
19	2299100	Bottom plate - stainless steel
20	2299101	Bracket for gas valves
22	2299509 ^(A and B)	Wire for microswitches - long
23	2299510 ^(A)	Wire for microswitches - short
24	2299604	Gas Inlet manifold
26	2299511	Ignition generator - 4 points
27,47	2299524	Thermocouple FFD - aux./rapid/semi-rapid burners (650mm)
28,48	2299527	Ignition candle - aux./rapid/semi-rapid burners (850mm)
29	2299304	Aux. burner cup (base)
30	2299611 ^(A)	Gas injector Ø 0.83 - aux. burner
	2299657 ^(B)	Gas injector Ø 0.93 - aux. burner (& rapid burner)
32	2299307	Semi-rapid burner cup (base)
33	2299612 ^(A)	Gas injector Ø 1.12 - semi-rapid burner
	2299651 ^(B)	Gas injector Ø 1.15 - semi-rapid burner
34	2299314	Wok burner cup (base)
35	2299614 ^(A)	Gas injector Ø 1.60 - wok burner
	2299652 ^(B)	Gas injector Ø 1.72 - wok burner

Parts List

ID	Part Number	Description
36	2299516	Thermocouple FFD - wok.burner
40	2299519	Ignition candle - wok burner
41	2299513	Electrical terminal block
42	2299512	Flexible power cord - AUS 10A
44	2299607	Gas pipe - wok burner
45	2299608	Gas pipe - rear left semi - rapid burner
46	2299102	Pipe clamp
ULPG Kit	2299632 ^(A)	Gas injector Ø 0.97 - wok burner
	2299660 ^(B)	Gas injector Ø 1.00 - wok burner
	2299630 ^(A and B)	Gas injector Ø 0.68 - semi-rapid burner
	2299629 ^(A)	Gas injector Ø 0.53 - aux. burner
	2299650 ^(B)	Gas injector Ø 0.58 - aux. burner
	2299638	Test point - gas pressure
	2299637	Gas regulator - Laite
	2299639	Elbow - gas fitting
	2299078	Wok Support Trivet - Ring
	2299107	Mounting bracket
	2299917	Rubber Foot

Notes

(A) = Parts suitable for Generation A (Version A).
Serial Number Sequence up until [MD-10195-00XXX]

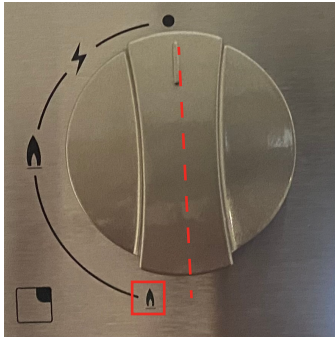
(B) = Parts suitable for Generation B (Version B)
from Serial Number Sequence [MD-10199-00XXX] to [MD-D921-00XXX].

Serial Numbers can be found on the rating label that is stuck underneath the cooktop, a copy should also be found in your handover pack that includes your User manual.

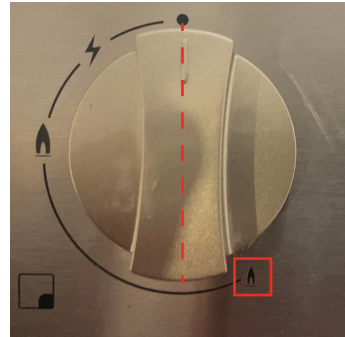
Notes

Other ways I can identify version A vs version B cooktops:

If you cannot identify via Serial number, you can identify your model version by the design of the screen printing on your control panel, the printing around your knobs.



(A)



(B)

Gas consumption has changed from AUPL-GWF61SS version A to B as per table below

Version (A):

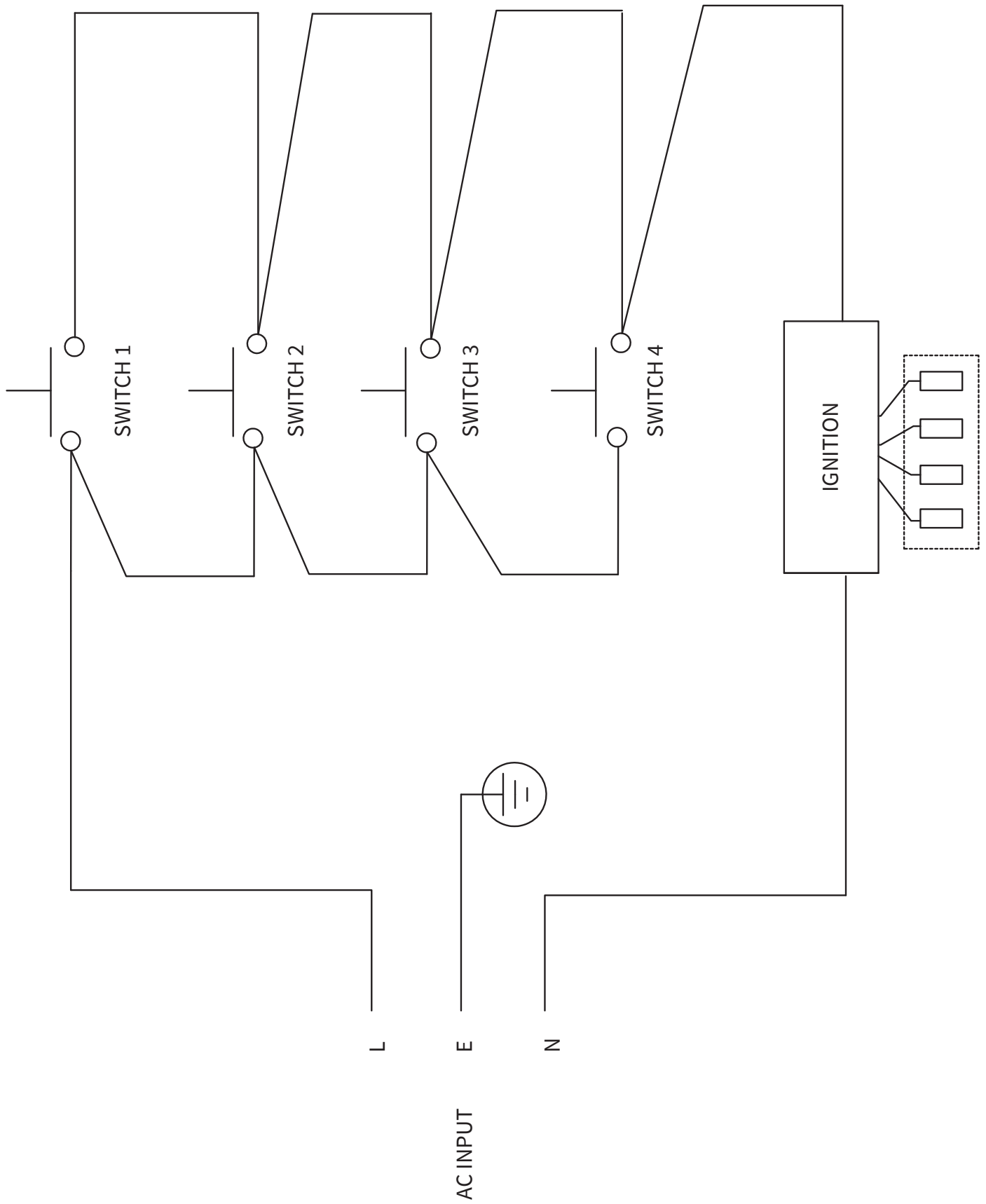
AUPL-GWF61SS	Natural Gas			Universal LPG		
	Inj. diam. (mm)	MJ/h	Gas pressure	Inj. diam. (mm)	MJ/h	Gas pressure
Wok burner x 1	1.60	12.96	1.0kPa	0.97	12.96	2.75kPa
Semi-rapid burner x 2	1.12	6.30	1.0kPa	0.68	6.30	2.75kPa
Auxiliary burner x 1	0.83	3.60	1.0kPa	0.53	3.60	2.75kPa
Total NHGC	29.16			29.16		

Version (B):

AUPL-GWF61SS	Natural Gas			Universal LPG		
	Inj. diam. (mm)	MJ/h	Gas pressure	Inj. diam. (mm)	MJ/h	Gas pressure
Wok burner x 1	1.72	13.50	1.0kPa	1.00	13.50	2.75kPa
Semi-rapid burner x 2	1.15	6.30	1.0kPa	0.68	6.30	2.75kPa
Auxiliary burner x 1	0.93	4.30	1.0kPa	0.58	4.30	2.75kPa
Total NHGC	30.40			30.40		

Please contact our customer service team for further support if required.

Wiring Diagram



Platinum.™

CONTACT DETAILS

Australia

Platinum Appliances

Customer care

☎ 1300 985 815

✉ customercare@platinumappliances.com.au

🌐 platinumappliances.com.au

Spare parts & Manuals

✉ customercare@platinumappliances.com.au

🌐 service.platinumappliances.com.au

📍 PO Box 7785
Norwest, NSW 2153

Platinum is committed to ongoing research and development. Every effort has been made to ensure all information in this service manual is correct at time of going to print. Dimensions should be used as a reference only and actual dimensions should be taken from the physical product only.

Manufacturer reserves the right to change specifications without notice.