

# Platinum.™

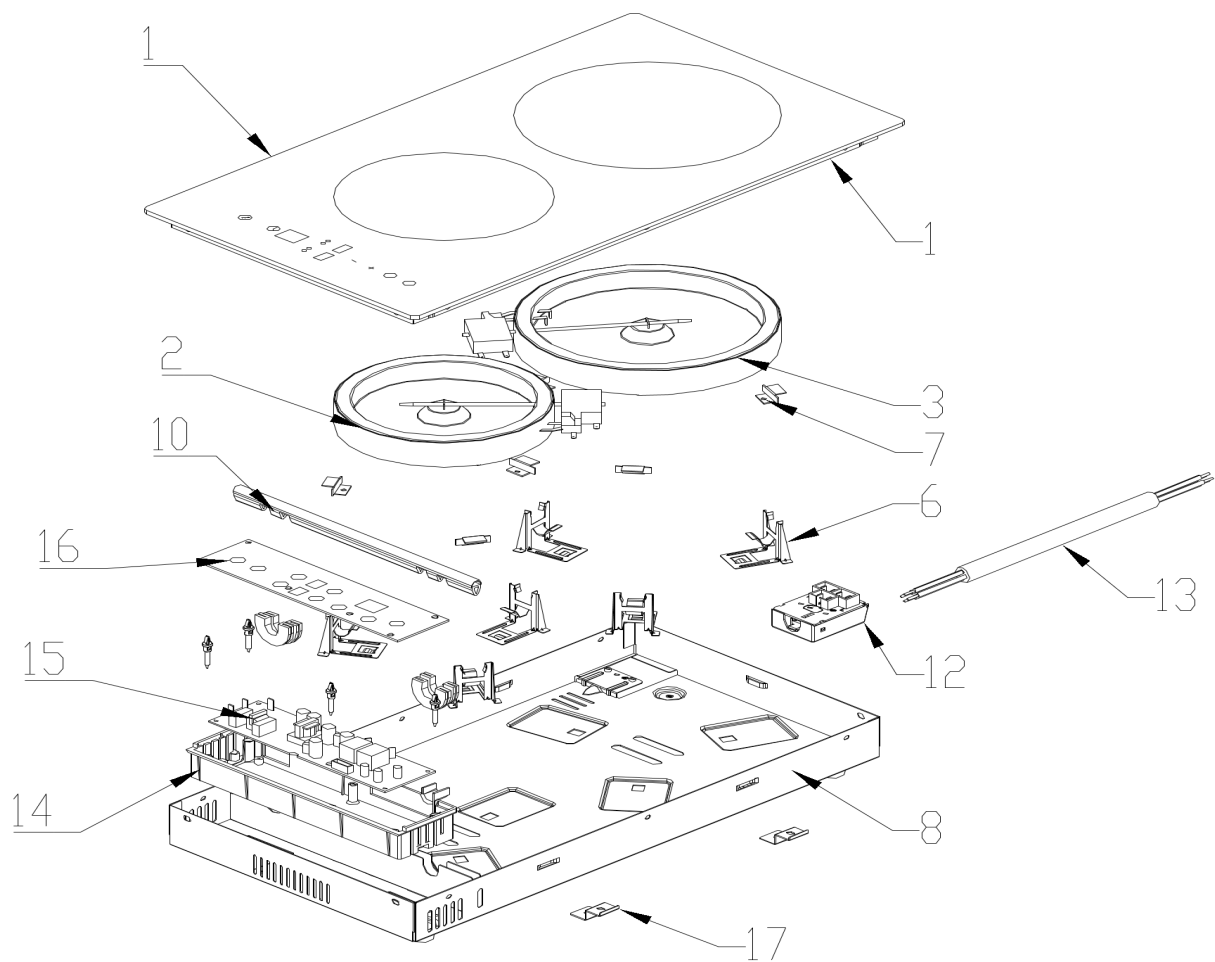
## Service Manual

300 Ceramic Cooktop Touch  
AUPL-CT32

### IMPORTANT

The information contained in this Service Manual is intended for licensed service personnel only. For the latest service manuals visit [platinumappliances.com.au](http://platinumappliances.com.au)

# Exploded View

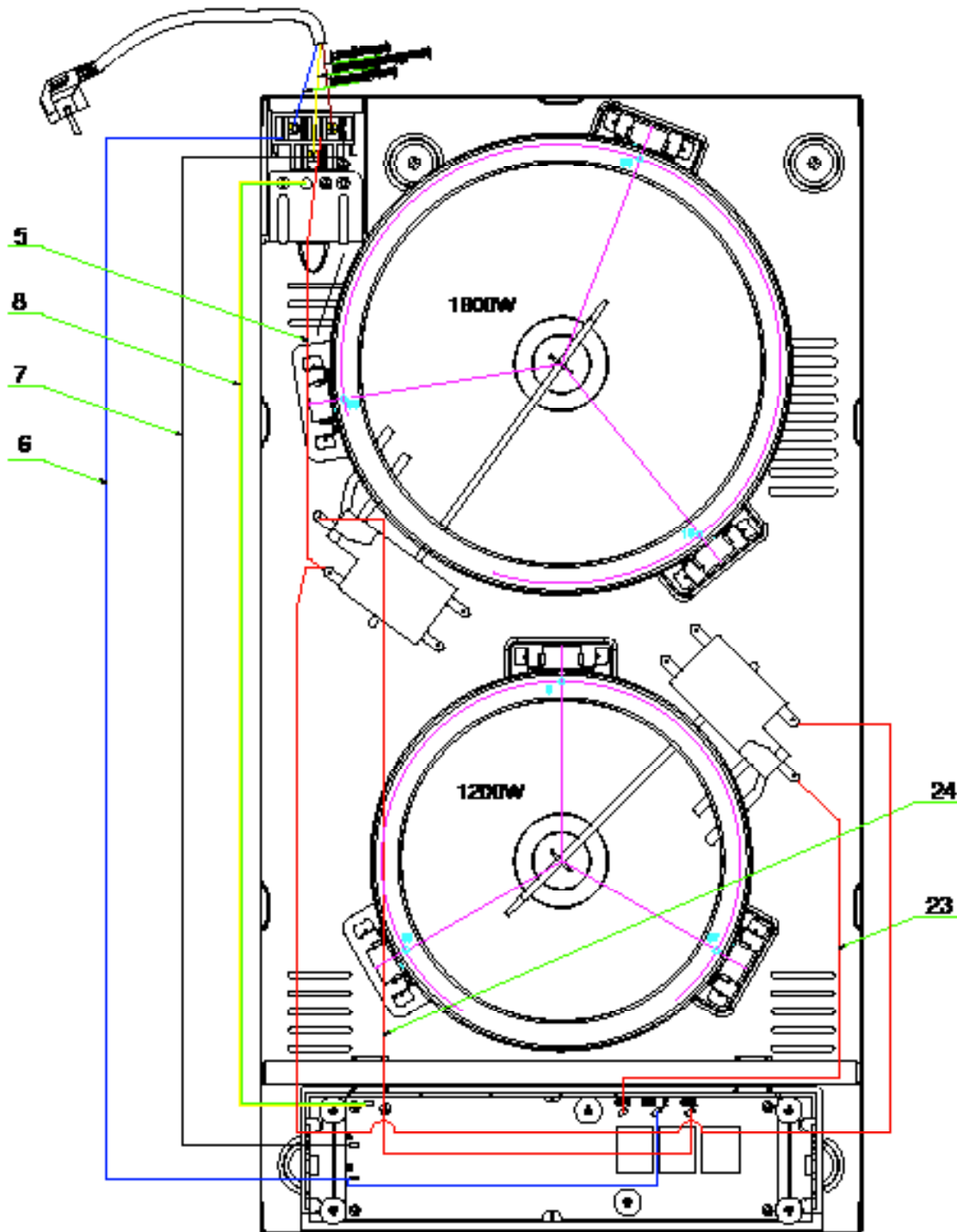


---

# Parts List

ID	Part Number	Description
1	2201901	Glass Panel Assembly - Platinum
2	2299546	165 Hot Plate 1200W
3	2299536	230 Hot Plate 1800W
6	2299110	Spring Clip for Hot Plate
12	2299597	Terminal Block
13	2299598	Flexible Power Cord
15	2299599	Power Board
16	2299700	Display Board
17	2299916	Mounting Clips & Screws

# Wiring Diagram



24	30S206800184	main control board - zone1	1	red(AWG316)
23	30S206800185	main control board - zone2	1	red(AWG316)
8	30S206800212	Earth(yellow/green)	1	black(AWG316)
7	30S206800188	Cable	1	black(AWG16)
8	30S206800200	Neutral(Blue)	1	blue(AWG316)
6	30S206800206	Live(brown)	1	red(AWG316)

# Platinum.™

## CONTACT DETAILS

Australia

Platinum Appliances

### Customer care

☎ 1300 985 815

✉ [customercare@platinumappliances.com.au](mailto:customercare@platinumappliances.com.au)

🌐 [platinumappliances.com.au](http://platinumappliances.com.au)

### Spare parts & Manuals

✉ [parts@platinumappliances.com.au](mailto:parts@platinumappliances.com.au)

🌐 [platinumappliances.com.au](http://platinumappliances.com.au)

📍 PO Box 7785  
Norwest, NSW 2153

Platinum is committed to ongoing research and development. Every effort has been made to ensure all information in this service manual is correct at time of going to print. Dimensions should be used as a reference only and actual dimensions should be taken from the physical product only.

Manufacturer reserves the right to change specifications without notice.