



ARISTON

Version 3.1

SERVICE MANUAL

520 & 700 // UNDERMOUNT

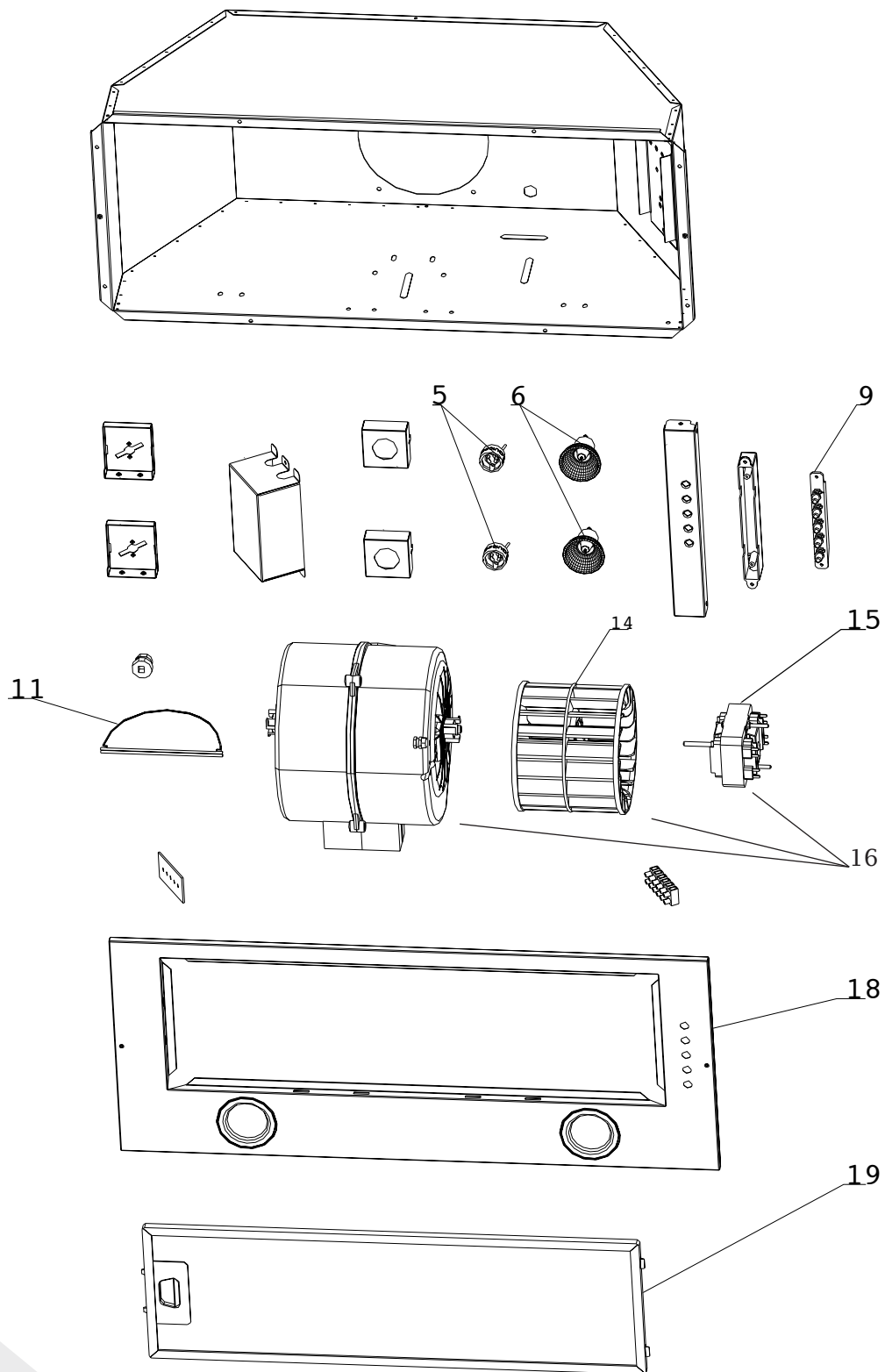
ARU52S | ARU70S

IMPORTANT // PLEASE ENSURE THAT YOU READ THROUGH THIS USER MANUAL PRIOR TO INSTALLATION AND USE. THIS MANUAL CONTAINS IMPORTANT INFORMATION TO ENSURE OPTIMAL PERFORMANCE AND KEEP YOU SAFE. PLEASE RETAIN YOUR PROOF OF PURCHASE, AS THIS WILL BE REQUIRED IN THE EVENT THAT YOU REQUIRE WARRANTY SERVICE. REMEMBER TO RETAIN THIS MANUAL FOR FUTURE REFERENCE.



www.aristonbrand.com

Exploded View

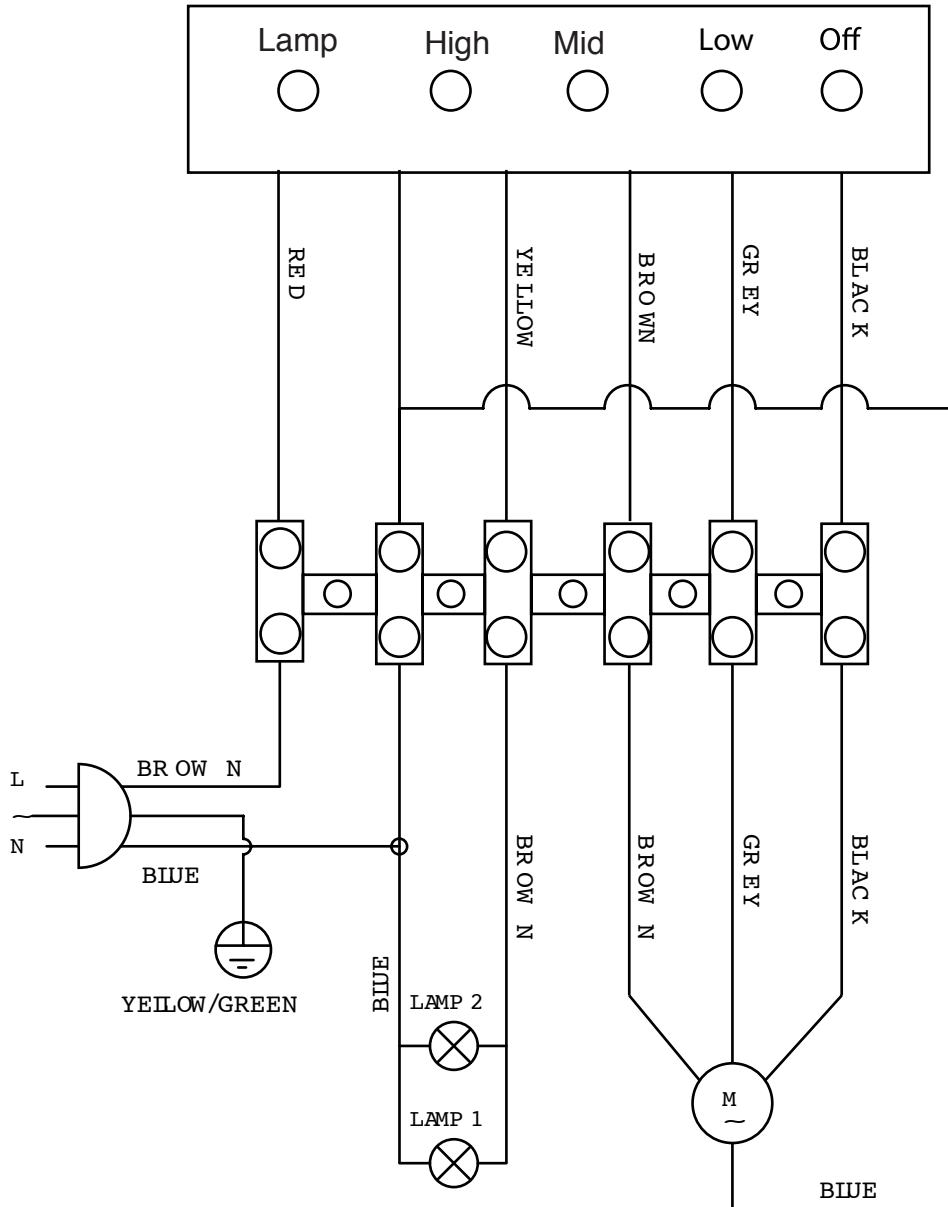


Parts List

ID	PART NUMBER	DESCRIPTION
5	2399032	GU10 Lamp Holder
6	2399024	GU10+C 220/240V 35W Halogen Globe
9	2399028	5 Position Push Button Switch
11	2399022	150mm Ducting Flap
14	2399036	Plastic Fan Wheel
15	2399035	Motor 230V 50Hz 140W
16	2399033	Motor Assembly (Motor, Impeller, Casing)
18	2399052	Stainless Steel Facia Panel - 520mm (bevelled edge)
18	2399053	Stainless Steel Facia Panel - 700mm (bevelled edge)
19	2399005	520mm Aluminium Panel Filter (1) Rectangular - Single
19	2399007	700mm Aluminium Panel Filter (1) Rectangular - Single
*	2399008	Carbon Filter (2) Circular - Set of 2
	2399021	150mm Ducting Adaptor

*Optional

Wiring Diagram





CONTACT DETAILS

AUSTRALIA

ARISIT PTY LIMITED

40-44 Mark Anthony Drive,
Dandenong South, VIC 3175,
Australia

P // 1300 815 589
F // 03 9768 0838
consumer.care@arisit.com

NEW ZEALAND


ARISIT PTY LIMITED

PO Box 68-140
Newton, Auckland 1145,
New Zealand

P // 09 306 1020
F // 09 302 0077
sales@aristonappliances.co.nz

Ariston is committed to ongoing research and development. Every effort has been made to ensure all information in this service manual is correct at time of going to print. Dimensions should be used as a reference only and actual dimensions should be taken from the physical product only.

Manufacturer reserves the right to change specifications without notice.

 aristonbrand.com

 **ARISTON**

