



Version 7.3

SERVICE MANUAL

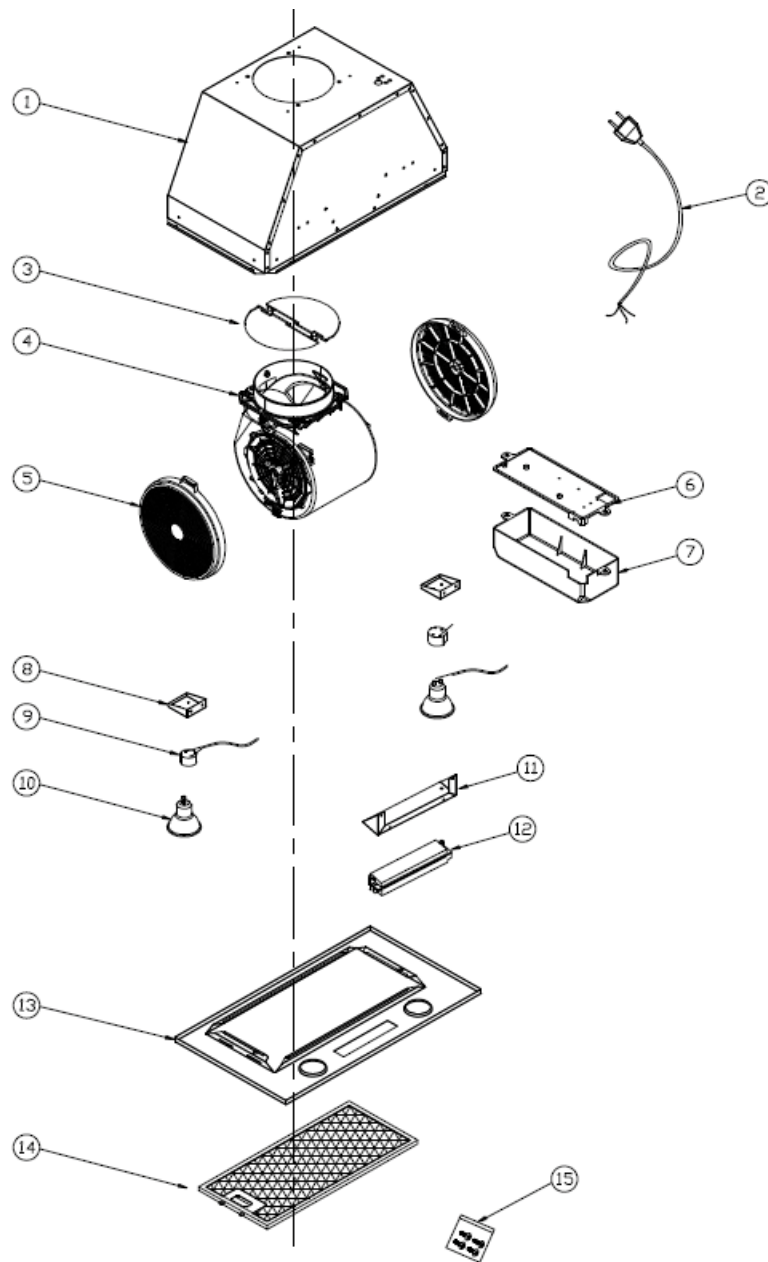
520-750-900 // UNDERMOUNT

ARU52X, ARU75X
ARU52X-L, ARU75X-L
ARU52AX-L, ARU75AX-L, ARU90AX-L
ARU52BX-L, ARU75BX-L, ARU90BX-L

IMPORTANT // PLEASE ENSURE THAT YOU READ THROUGH THIS SERVICE MANUAL PRIOR TO INSTALLATION AND USE. THIS MANUAL CONTAINS IMPORTANT INFORMATION TO ENSURE OPTIMAL PERFORMANCE AND KEEP YOU SAFE. PLEASE RETAIN YOUR PROOF OF PURCHASE, AS THIS WILL BE REQUIRED IN THE EVENT THAT YOU REQUIRE WARRANTY SERVICE. REMEMBER TO RETAIN THIS MANUAL FOR FUTURE REFERENCE.



Exploded View



Parts List

ID	PART NUMBER	DESCRIPTION
2	2306011.501	Power Cord with 10A Plug
3	2306011.401	Non-Return Flaps
4	2306011.002	Motor Assembly (100W)
	2399513**	Motor Assembly (190W)
	2399552 ⁽ⁱ⁾	⁽ⁱ⁾ Motor Assembly C9 + Connector (190W)
	2399521***	Motor Assembly (380W)
	2399553 ⁽ⁱ⁾	⁽ⁱ⁾ Motor Assembly C64 + Connector (380W)
(i)	2399524 ⁽ⁱ⁾	⁽ⁱ⁾ PCB Connection
**	2399123**	Capacitor (190W motor)
** (i)	2399535 ⁽ⁱ⁾	⁽ⁱ⁾ Capacitor (190W motor)
***	2399522***	Capacitor (380W motor)
*** (i)	2399536 ⁽ⁱ⁾	⁽ⁱ⁾ Capacitor (380W motor)
9	2306011.506	Lamp Socket
10	2306011.507	40W Halogen Light GU10
	2399502	3W LED Light GU10-3E
	2399527 ⁽ⁱ⁾	⁽ⁱ⁾ 3W LED Light GU10-3F
13-14	2399516	Slide Switch - 520/750/900mm
	2399544	⁽ⁱ⁾ Slide Switch - 520/750/900mm -to suit PCB connection
13	2307007.101	Panel (520mm)
	2307008.101	Panel (750mm)
	2399106	Panel (900mm)
14	2306011.001	520mm Aluminium Panel Filter (1) - Rectangular - Single
	2306012.001	750mm Aluminium Panel Filter (1) - Rectangular - Single
	2399907	900mm Aluminium Panel Filter (1) - Rectangular - Single
5*	2306011.005	Carbon Filter (2) Circular - Set of 2 (optional)

* Optional

** Motor assembly for models ARU52AX-L, ARU75AX-L and ARU90AX-L

*** Motor assembly for models ARU52BX-L, ARU75BX-L and ARU90BX-L

⁽ⁱ⁾ **NOTE:** New Components were adopted from Product Serial Number **AT-09621-00XXX**.

Capacitor (2399123 or 2399522 > 2399535 ⁽ⁱ⁾ or 2399536 ⁽ⁱ⁾)

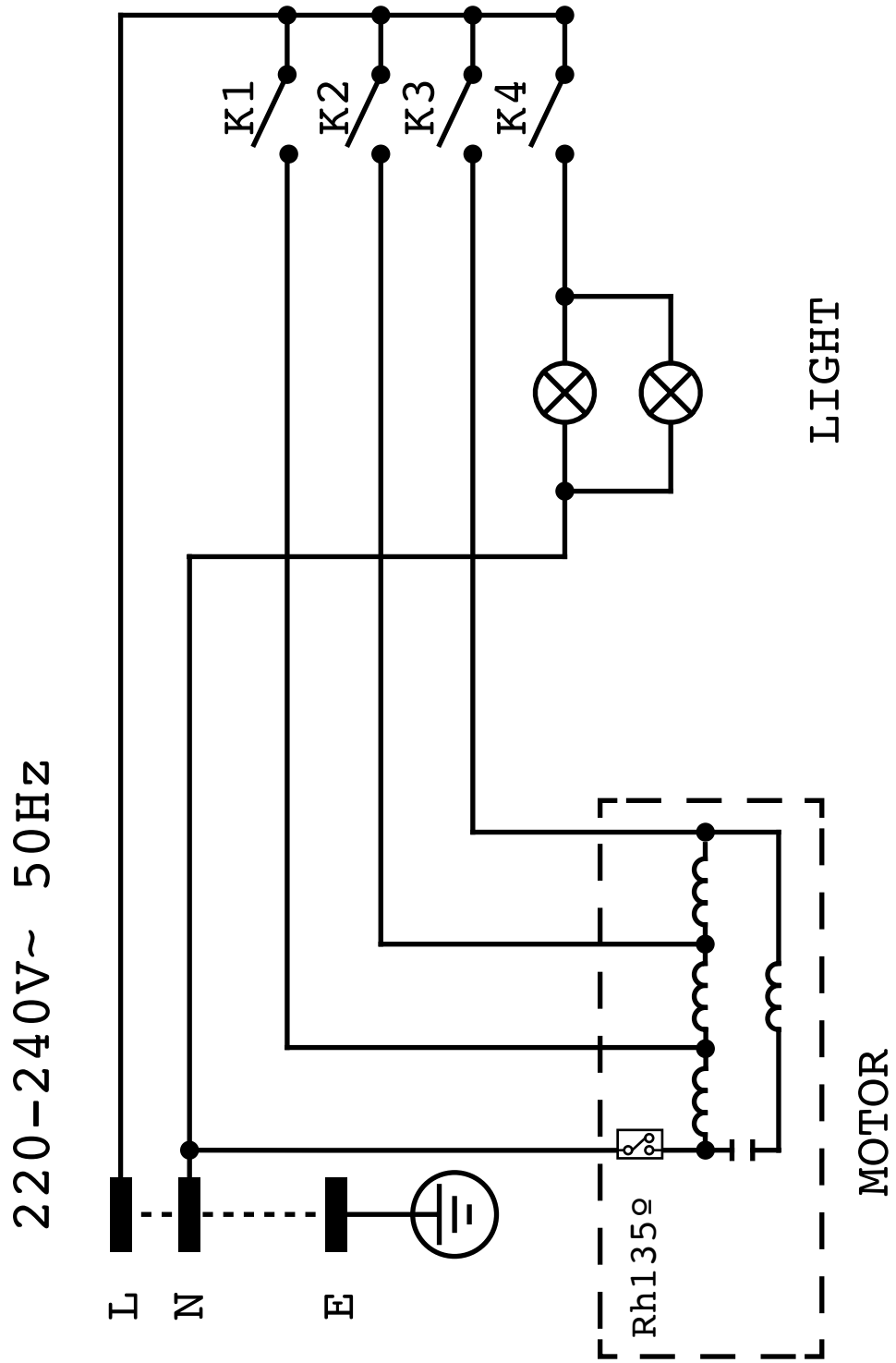
Motor Assembly (2399521 > 2399553 ⁽ⁱ⁾)

PCB Connection (2399524 ⁽ⁱ⁾) - not existent in the previous generation.

Slide Switch (2399516, 2399517, 2306011.505 > 2399544 ⁽ⁱ⁾)

LED Lamp 3W GU10-3F (2399502 <> 2399527 ⁽ⁱ⁾) - lamps are interchangeable

Wiring Diagram





CONTACT DETAILS

AUSTRALIA
ARISIT PTY LIMITED

40-44 Mark Anthony Drive,
Dandenong South, VIC 3175,
Australia

P // 1300 815 589
F // 03 9768 0838
consumer.care@arisit.com

NEW ZEALAND
ARISIT PTY LIMITED

PO Box 68-140
Newton, Auckland 1145,
New Zealand

P // 09 306 1020
F // 09 302 0077
sales@aristonappliances.co.nz

Ariston is committed to ongoing research and development. Every effort has been made to ensure all information in this service manual is correct at time of going to print. Dimensions should be used as a reference only and actual dimensions should be taken from the physical product only.

Manufacturer reserves the right to change specifications without notice.

