



Version 4.3

SERVICE MANUAL

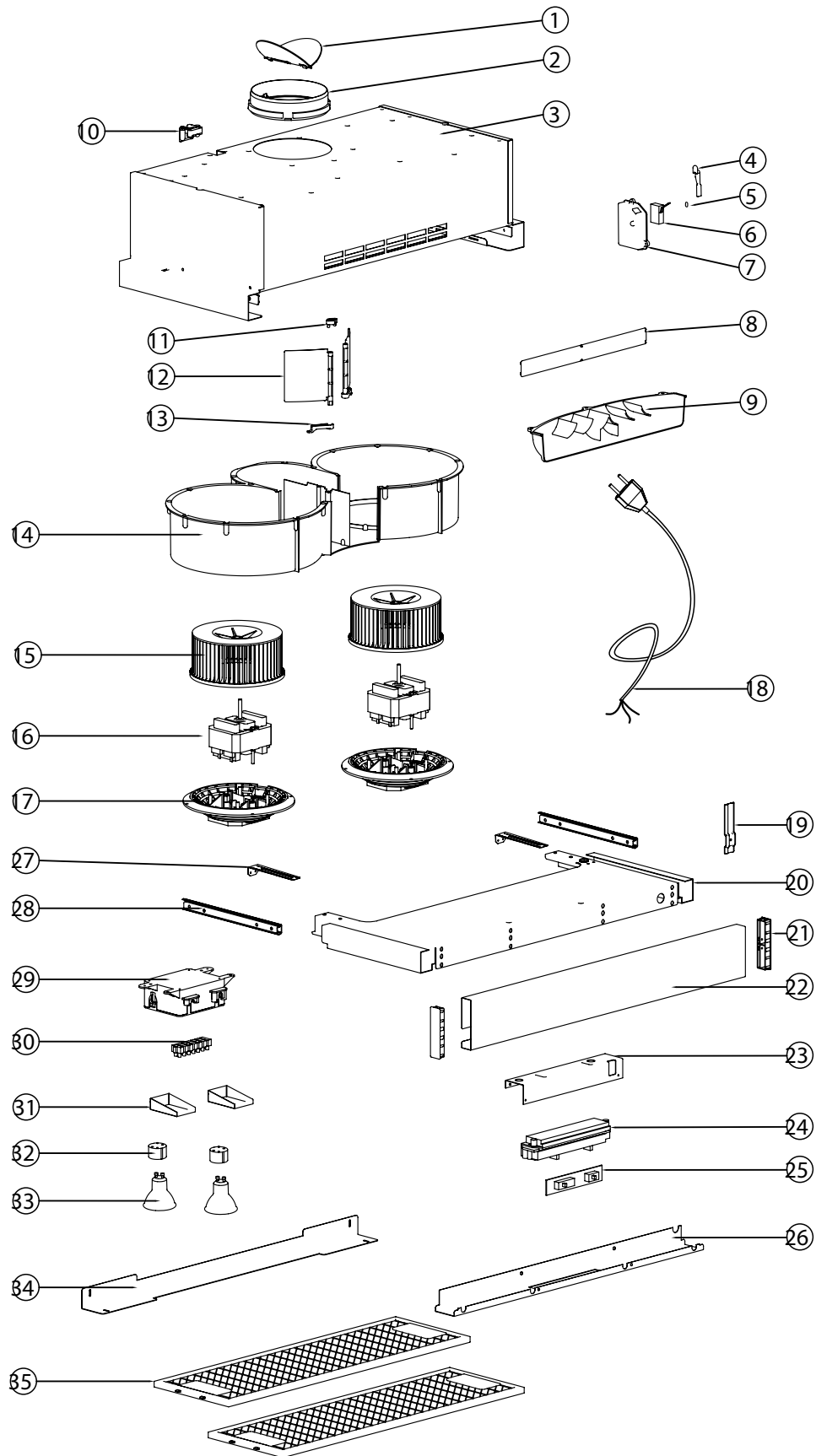
900 // SLIDEOUT HOOD

ARH9SIX, ARH9SIX-L

IMPORTANT // PLEASE ENSURE THAT YOU READ THROUGH THIS SERVICE MANUAL PRIOR TO INSTALLATION AND USE. THIS MANUAL CONTAINS IMPORTANT INFORMATION TO ENSURE OPTIMAL PERFORMANCE AND KEEP YOU SAFE. PLEASE RETAIN YOUR PROOF OF PURCHASE, AS THIS WILL BE REQUIRED IN THE EVENT THAT YOU REQUIRE WARRANTY SERVICE. REMEMBER TO RETAIN THIS MANUAL FOR FUTURE REFERENCE.



Exploded View



Parts List

ID	PART NUMBER	DESCRIPTION
1&2	2399000.400	120mm Outlet and Valve Flaps
4-7	2399000.002	Micro Switch Lever + Microswitch + Cover
8	2399000.404	Front Cover
10	2399000.406	Cord Holder
12	2399000.408	Left Baffle
15	2399000.412	Impeller
16	2399000.501	Motor
18	2399000.502	Cable with Plug 10A 2-pin
19	2399000.101	Front Panel Bracket
21 & 22	2307002.001	80mm Fascia Panel S/S
	2307002.002	40mm Fascia Panel S/S
24 & 25	2399000.414	Switch Box + Switch Buttons (PCB)
	2399539**	**Slide Switch - 900 with connector
28	2399000.901	Side Rails (runners)
30	2399000.504	Connection (strip terminal)
	2399523**	** PCB Connection
32	2399000.505	Lamp Holder
33	2399000.506	Halogen Light GU10+C
33	2399502	LED Lamp GU10 - 3W
	2399527**	**LED Lamp GU10-3F - 3W
34	2399000.107	Installation Panel
35	2399000.902	900mm Carbon Cotton Panel Filter 92) Rectangular - Set of 2
*	2399000.903	900mm Aluminium Panel Filter (1) Rectangular - Single
*	2306011.005	Carbon Filter (2) Circular - Set of 2

* Optional

**LED Light - GU10-3F is the latest type of lamp - Both LED lamps are interchangeable.

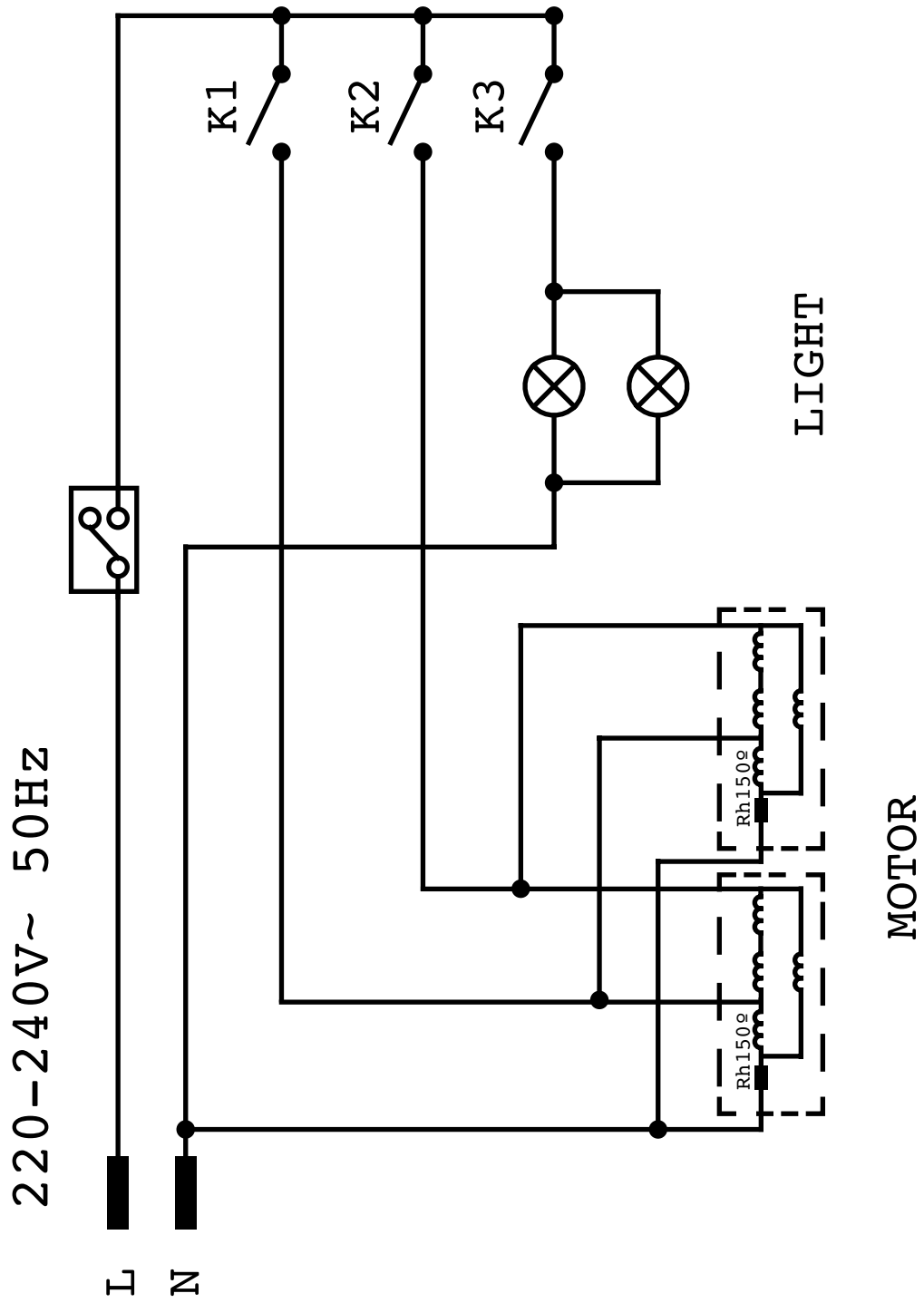
(i) **NOTE:** New Components were adopted from Product Serial Number **AT-09622-00YYY**.

PCB Connection (2399523**) - not existent in the previous generation.

Slide Switch - 900 with connector (2399000.414 > 2399539**)

LED Lamp 3W GU10-3F (2399502 < > 2399527**) - lamps are interchangeable

Wiring Diagram





CONTACT DETAILS

AUSTRALIA
ARISIT PTY LIMITED

40-44 Mark Anthony Drive,
Dandenong South, VIC 3175,
Australia

P // 1300 815 589
F // 03 9768 0838
consumer.care@arisit.com

NEW ZEALAND
ARISIT PTY LIMITED

PO Box 68-140
Newton, Auckland 1145,
New Zealand

P // 09 306 1020
F // 09 302 0077
sales@aristonappliances.co.nz

Ariston is committed to ongoing research and development. Every effort has been made to ensure all information in this service manual is correct at time of going to print. Dimensions should be used as a reference only and actual dimensions should be taken from the physical product only.

Manufacturer reserves the right to change specifications without notice.

