

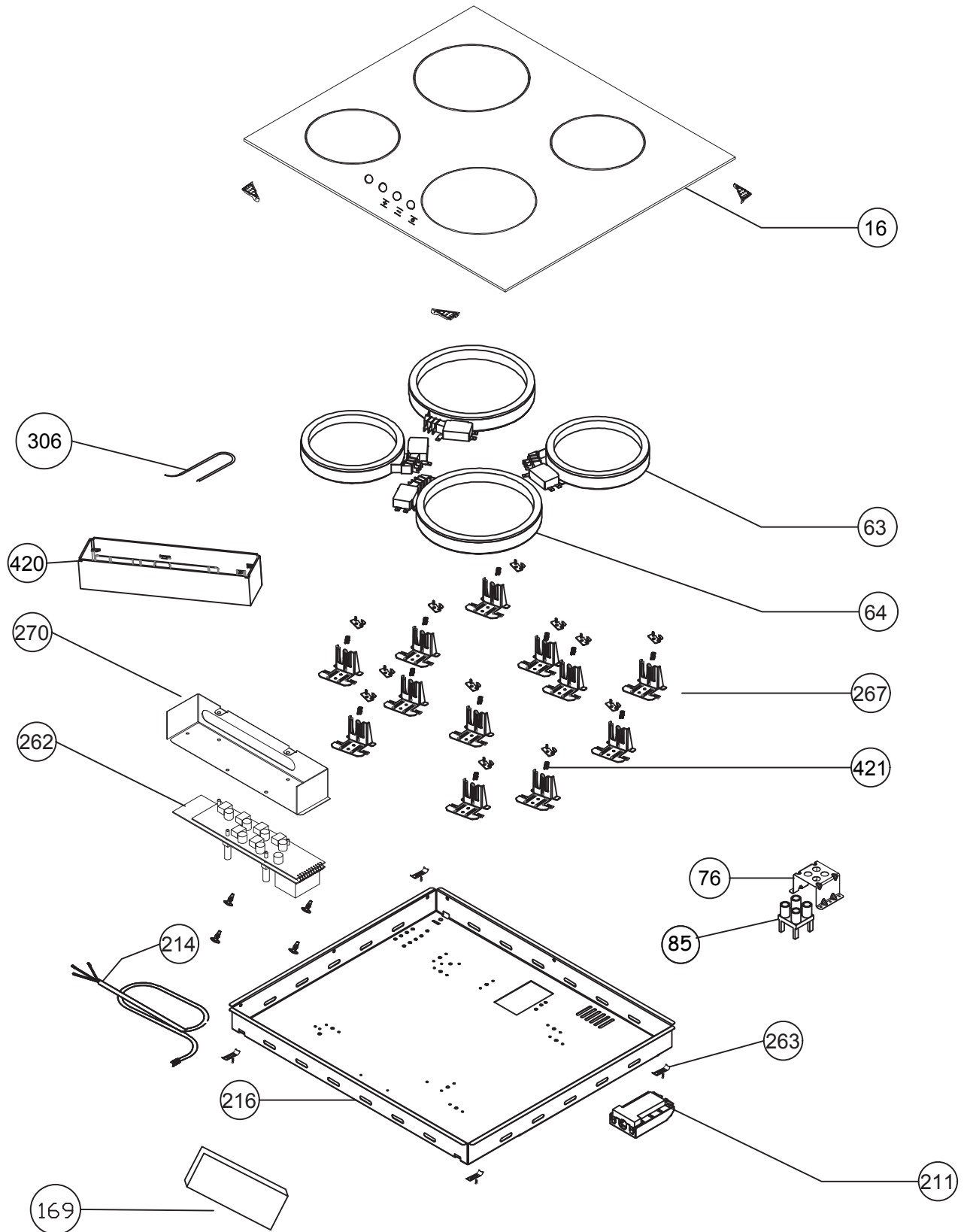


SERVICE MANUAL

600 CERAMIC HOB - TOUCH
ACT60E



Exploded View



Parts List

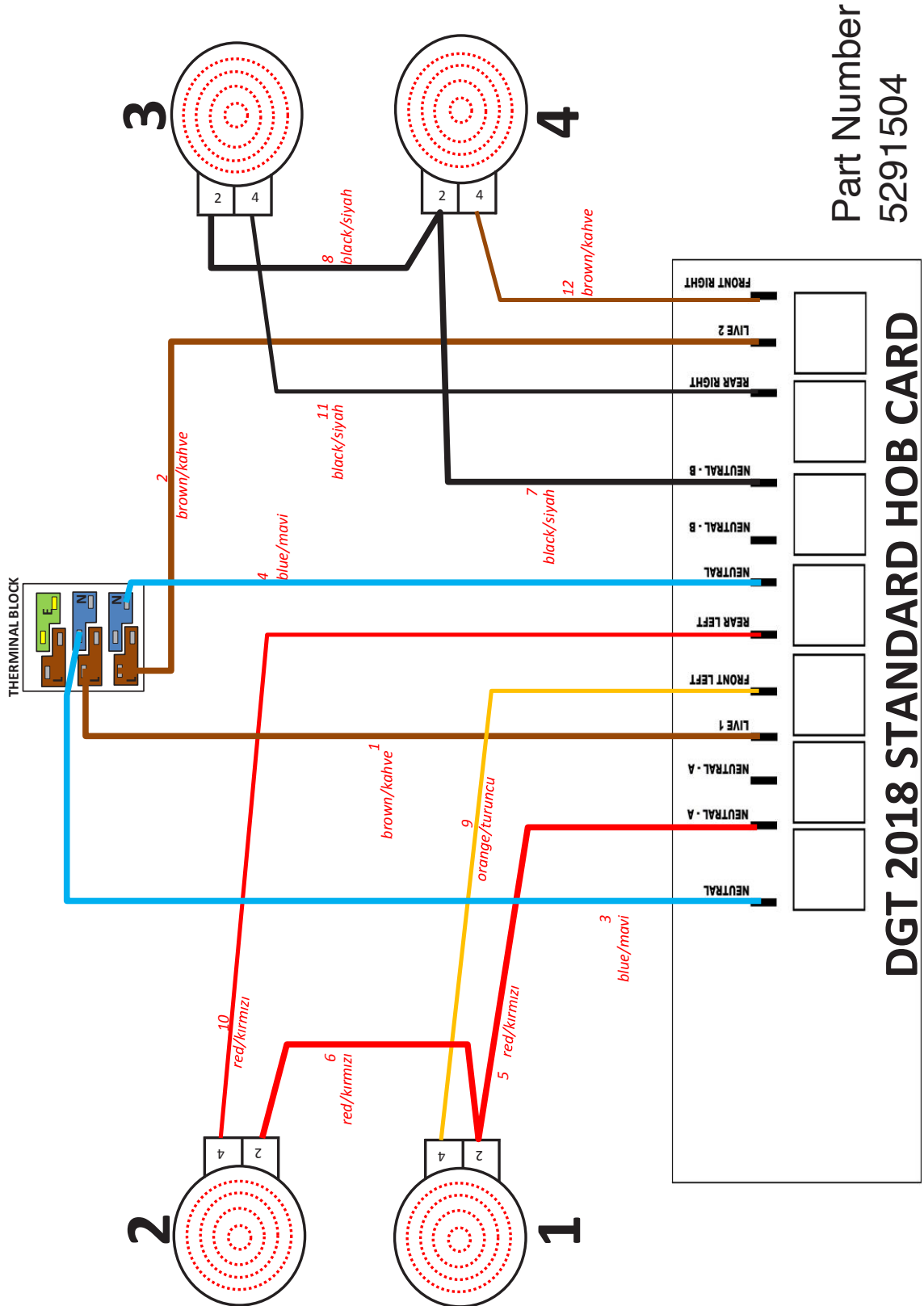
ID	Part Number	Factory ID	Description
16	5291802	YOA60-12SC-041-065	Ceramic Glass Assembly - No Logo
63	5291502	H35-30-300-007	Hot Plate 1200W/230V
64	5291503	H35-30-300-008	Hot Plate 1800W/230V
211	5291501	H35-30-180-004	Terminal Block
213	5291505	H35-10-200-003	Flexible Power Cord
262	5291504	H35-30-400-029	Main PCB & Display Board Assembly *Obsolete*
	*5291521	TBC	*Main PCB & Display Board Assembly (EGO)
263	5291933	YORTK-4000-010-038	Installation kit
267	5291200	YOA60-4000-010-071	Clips for Hotplate
421	5291932	H25-55-100-040	Spring fix for hotplate clips

* New PCB board 5291521 is suitable for all serial numbers.



Superseded PCB

Please refer to the next page for current wiring diagram



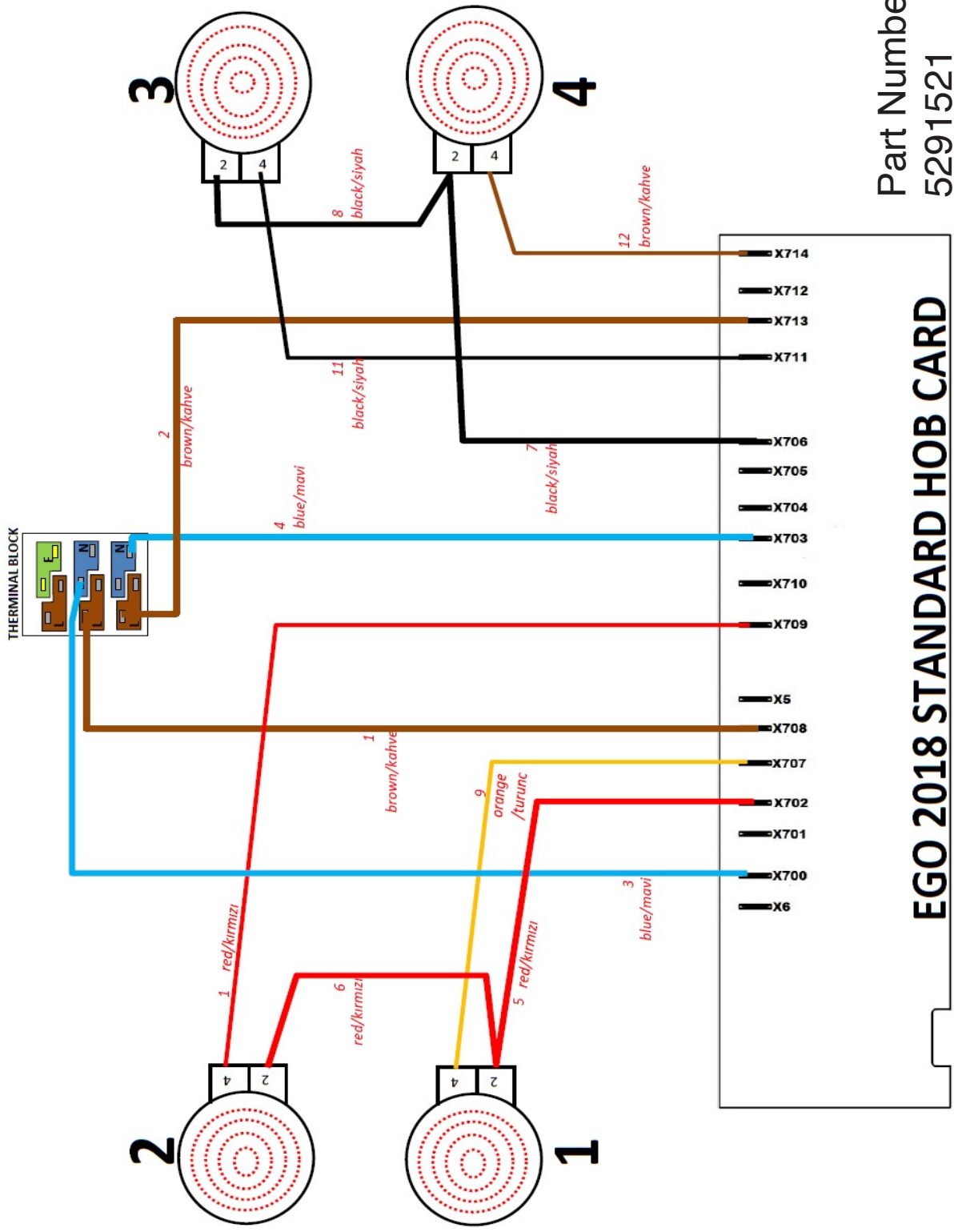
Part Number
5291504

DGT 2018 STANDARD HOB CARD



Updated PCB

Please refer to this diagram for installation of the new PCB



Part Number
5291521

EGO 2018 STANDARD HOB CARD



CONTACT DETAILS

AUSTRALIA

ARISIT PTY LIMITED
40-44 Mark Anthony Drive
Dandenong South, VIC 3175
Australia
Ph 1300 815 589
FX (03) 9768 0838
consumer.care@arisit.com

NEW ZEALAND

ARISIT PTY LIMITED
PO Box 68-140
Newton, Auckland
1145
New Zealand
Ph (09) 306 1020
FX (09) 302 0077
sales@aristonappliances.co.nz



ELECTRIC CERAMIC HOB