

Fisher & Paykel
appliances



Parts Manual

Smart Drive[®] Electronic Washing Machine

Model

GW712 NZ FP WH

Product Code

92200-B



92200-B

PRODUCT

Brand	Fisher & Paykel
Voltage	220-240V 50Hz
Model	GW712 NZ FP WH
Product Code	92200-B

Fisher & Paykel Appliances Ltd
78 Springs Road, East Tamaki
PO Box 58-732, Greenmount
Auckland, New Zealand
Telephone: 09 273 0600
Facsimile: 09 273 0656

CONTENTS

TOP DECK AND ELECTRONICS	6
WRAPPER	8
AGITATOR AND HOSES	10
INNER AND OUTER BOWLS AND PUMP	12
MOTOR	14
NOTES	17

GUIDE TO USING THIS MANUAL

The model covered by this manual is listed on the front cover.

The information detailed in this manual is subject to change without notice, the latest version is indicated by the reprint date and replaces any earlier editions.

The front cover picture shows the type of product and may not necessarily be an exact image of the models covered by the manual.

Kit Parts

The components shown in *italics with a part number* are those parts in the kit which are available also as separate items. In addition, some parts may be supplied with this kit which are not available as separate items and are therefore either not listed or a part number is not shown against the part description in this manual.

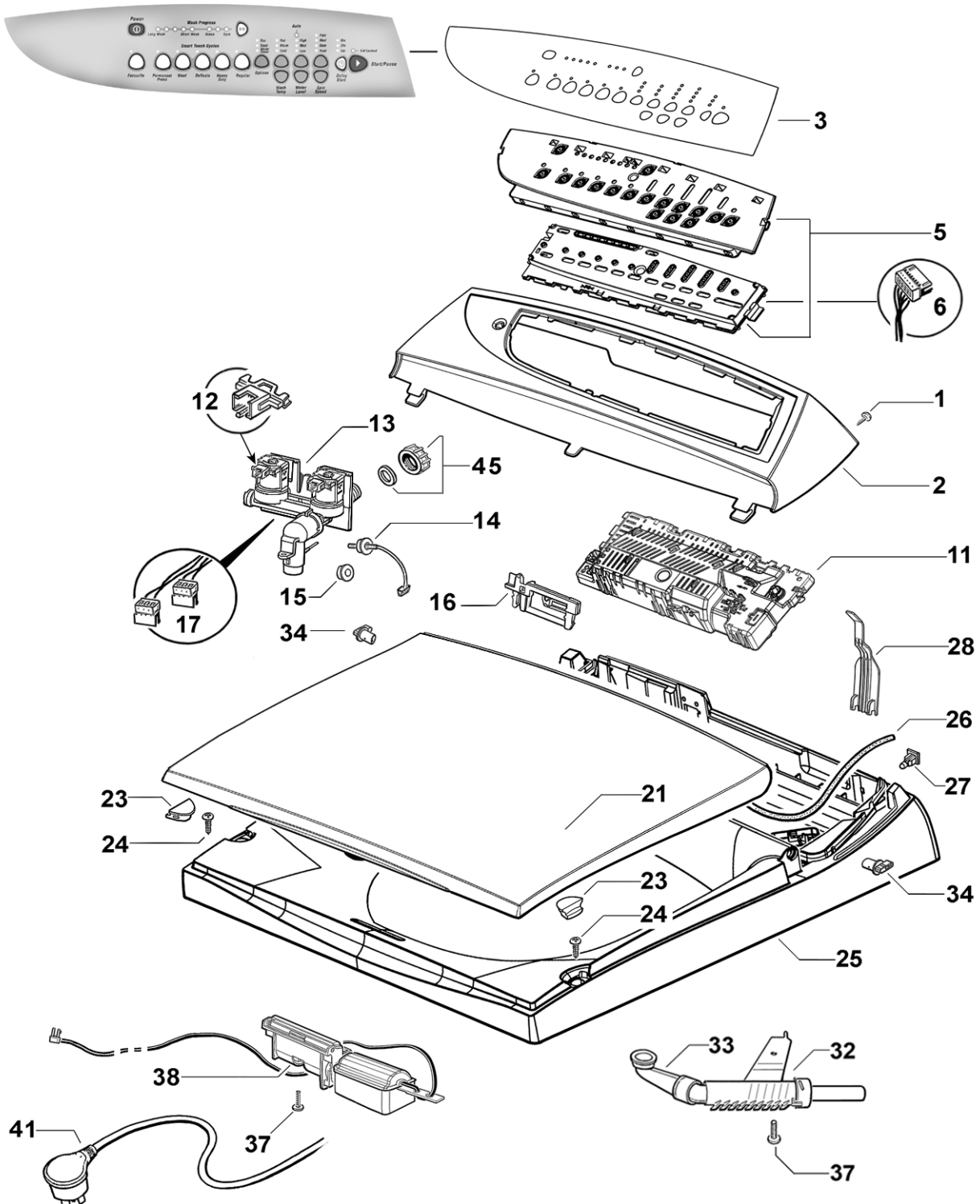
All details relating to Technical Bulletins or Notes are shown on a dedicated page. The Technical Bulletin Number shown relates to the bulletin version which is produced for the Global Service Centres.

Parts List Key

NOT USED	As a part, indicates the diagram part reference is not used in this manual.
<i>italics</i>	Kit components or parts included are shown in <i>italics</i> , refer to above notes: Kit Parts
NI	As a part reference, indicates the part is not illustrated on the diagram.

TOP DECK AND ELECTRONICS

Fisher & Paykel
appliances

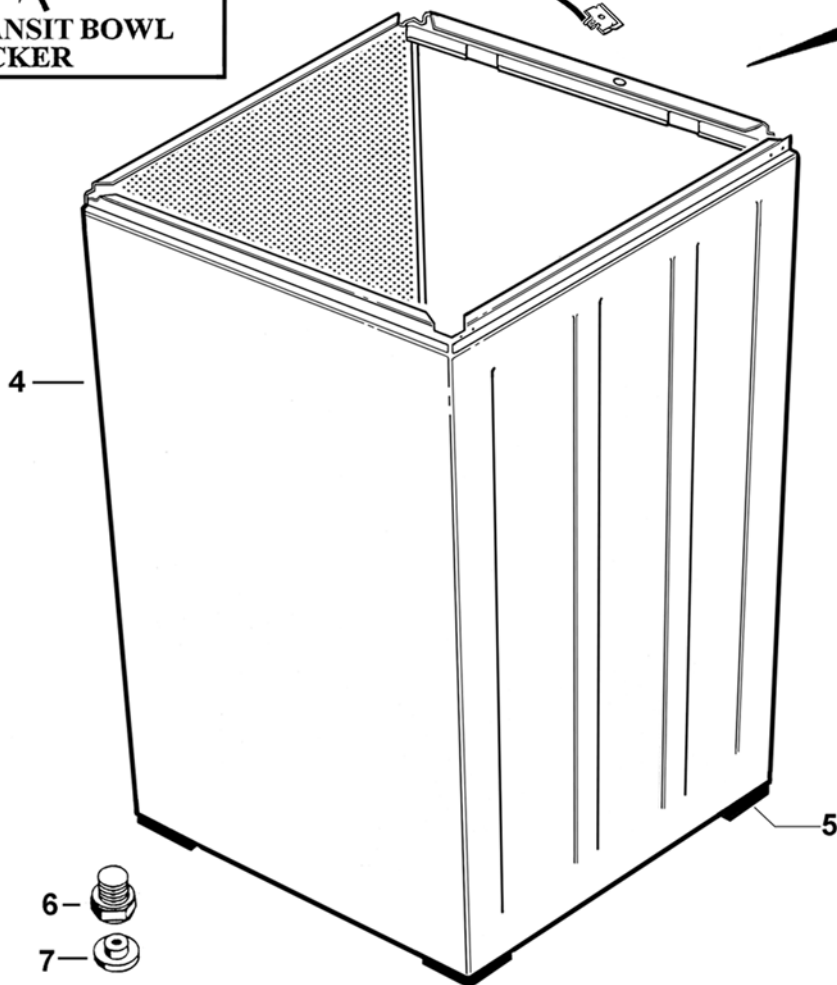
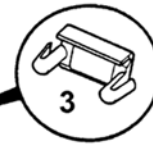
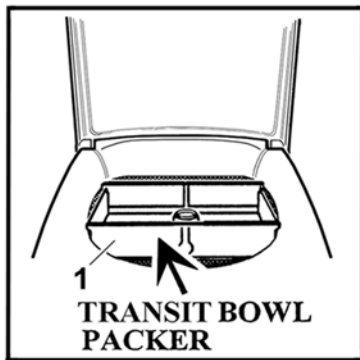


DWG000974

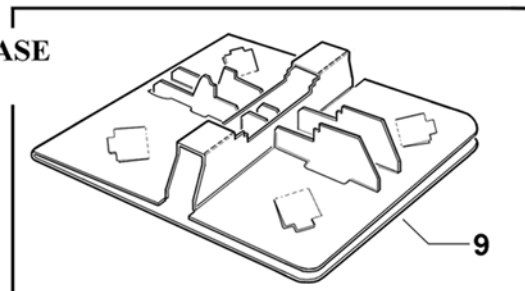
TOP DECK AND ELECTRONICS

REF	PART	DESCRIPTION
1	611933P	SCREW ST 8X5/8 TA MTS PH ZNPL (PKT 10)
2	420115	CONSOLE PRINTED GWL11
3	420804	PANEL TOUCH GW12 FP WH
5	421098P	KIT DISPLAY GW
	<i>Includes</i>	<i>DISPLAY ASSY GW</i>
	<i>Includes</i>	<i>INSERT CONSOLE</i>
	<i>Includes</i>	<i>INSTRUCTION SHEET</i>
6	420176	HARNESS DISPLAY GW11
11	420786NZP	MODULE MC 230V SD13 NON ECO
12	420897P	CLIP RETAINING RAST DUAL VALVE (PKT 2)
13	420752P	VALVE INLET DUAL GW/IW INVES
	<i>Includes 420897</i>	<i>CLIP RETAINING RAST DUAL VALVE (2)</i>
	<i>Includes 426949</i>	<i>THERMISTOR ASSY SD200 UL</i>
	<i>Includes 426752</i>	<i>SEAL THERMISTOR SS</i>
14	479193P	KIT THERMISTOR & SEAL UL
	<i>Includes 426949</i>	<i>THERMISTOR ASSY SD200 UL</i>
	<i>Includes 426752</i>	<i>SEAL THERMISTOR SS</i>
	<i>Includes 479165</i>	<i>LEAFLET THERMISTOR SD200</i>
15	426752	SEAL THERMISTOR SS
16	420738	CLAMP HARNESS TOP DECK
17	420593	HARNESS WATER VALVES SD14
21	426796P	LID L11 WHITE PKD
23	426793P	BUFFER LID SD11 (PKT 2)
24	611812P	SCREW ST 10X5/8 MSH PAN PH SS430 (PKT 10)
25	420759	TOP DECK IW/GWL WH
26	426273	GASKET CONSOLE FOAM CUT
27	422402	NUT SNAP IN SPIRE P0071/05/01/00
28	420133	COVER WIRING TOPDECK SD11
32	420143	NOZZLE ASSY SD11
	<i>Includes</i>	<i>BODY NOZZLE SD11</i>
	<i>Includes</i>	<i>PISTON NOZZLE</i>
	<i>Includes</i>	<i>CAP NOZZLE</i>
	<i>Includes</i>	<i>SPRING NOZZLE</i>
33	425974	ELBOW NOZZLE SD3
34	426825P	HINGE LID SD11 (PKT 2)
37	611808P	SCREW ST 8X1/2 PAN PH SS 430S (PKT 10)
38	420700	LIDLOCK ASSY SD14
41	420826	CORD SET SD AA STRAIN RELIEF
45	388491	CAP VALVE BLANKING
	<i>Includes 420017</i>	<i>CONNECTOR SEAL VALVE CAP</i>

WRAPPER



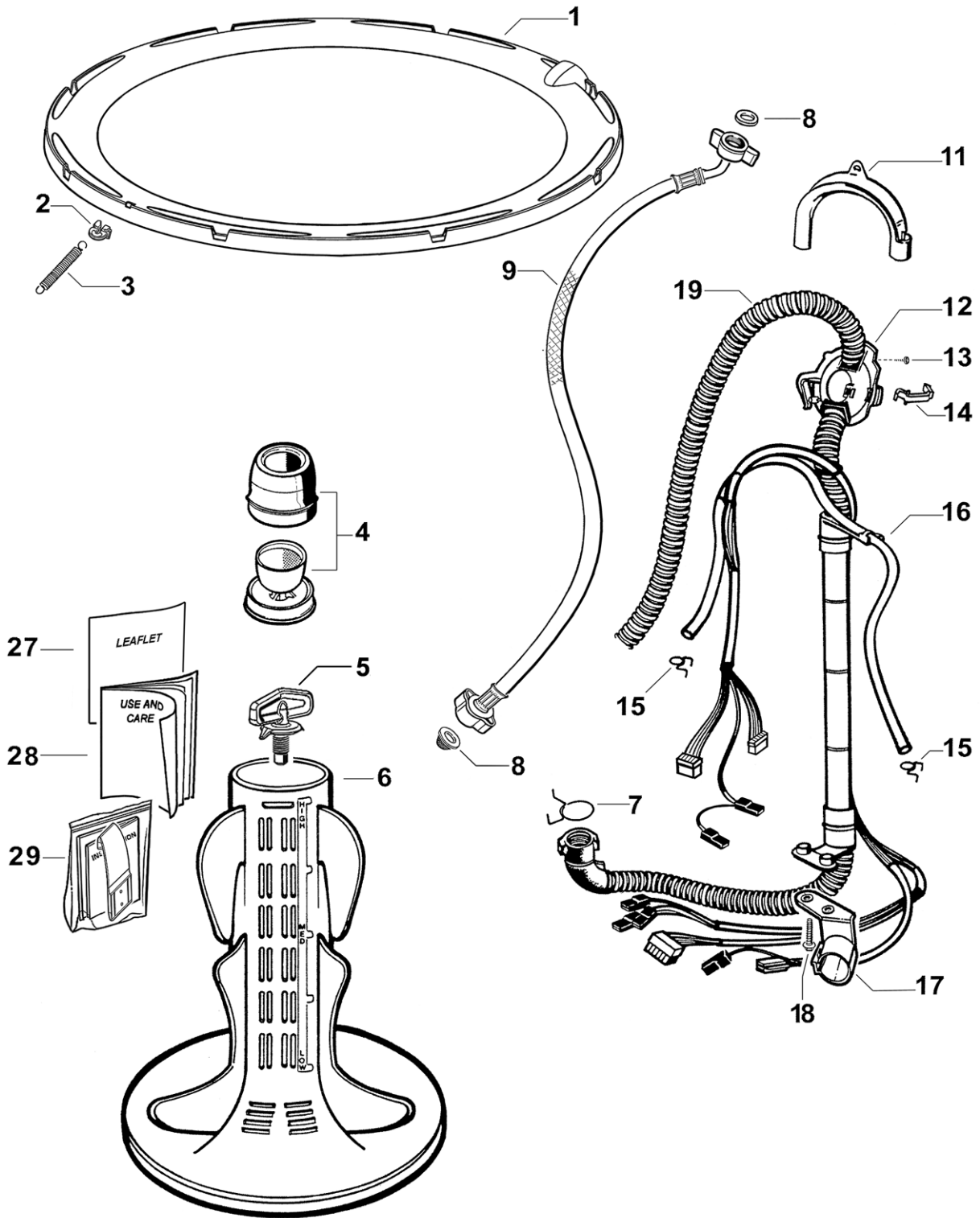
TRANSIT BASE
PACKER



WRAPPER

REF	PART	DESCRIPTION
1	420071	PACKER BOWL L11
2	420877	WIRE CABINET EARTH RFI CHOKE
3	426058	COVER EARTH CLIP
4	426663P	WRAPPER ASSY 7 PKD
	<i>Includes 426058</i>	<i>COVER EARTH CLIP</i>
	<i>Includes 426153</i>	<i>FOOT LEVELLING (4)</i>
	<i>Includes 420877</i>	<i>WIRE CABINET EARTH RFI CHOKE</i>
	<i>Includes 426657</i>	<i>CORNER CABINET BOTTOM (4)</i>
5	426657	CORNER CABINET BOTTOM
6	472969P	KIT FOOT & INSERT
	<i>Includes</i>	<i>FOOT LEVELLING</i>
	<i>Includes</i>	<i>INSERT FOOT</i>
7	479183	INSERT FOOT (PKT 4)
9	420181	PACKER BASE L LOCAL

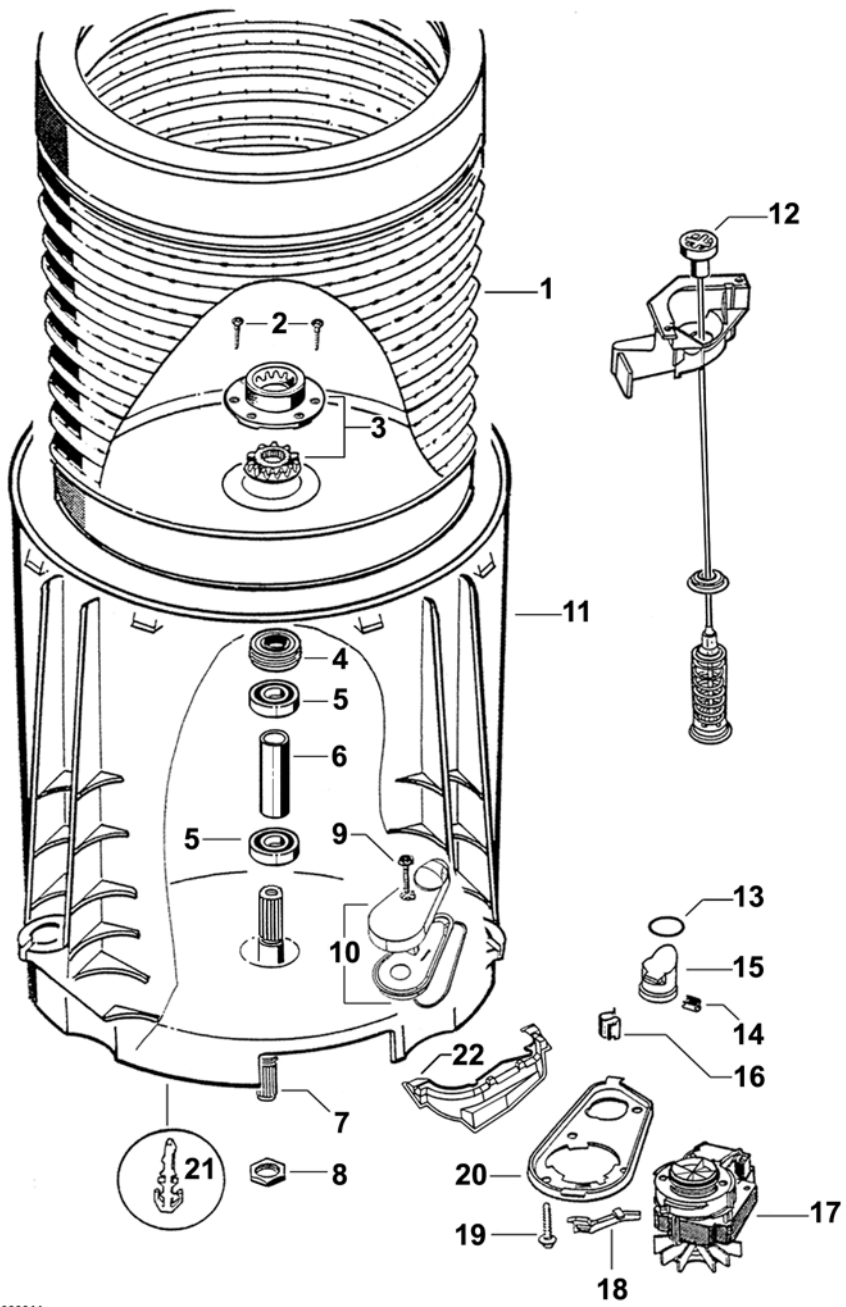
AGITATOR AND HOSES



AGITATOR AND HOSES

REF	PART	DESCRIPTION
1	426809P	NECK RING ASSY L11
	<i>Includes 426812</i>	<i>NECK RING L11 LT GREY</i>
	<i>Includes 420197</i>	<i>CLIP BIAS SPRING</i>
	<i>Includes 420122</i>	<i>SPRING BIAS</i>
2	420197P	CLIP BIAS SPRING SD11
3	420122P	SPRING BIAS SD11
4	426993P	DISPENSER ASSY WHITE
5	420665	BOLT AGITATOR
6	425025P	AGITATOR PKD
7	422500	CLAMP HOSE 031.5
8	420016P	KIT FILTER / CONNECTOR SEAL (2 EACH)
	<i>Includes 420016</i>	<i>FILTER INLET MIFLEX (2)</i>
	<i>Includes 420017</i>	<i>CONNECTOR SEAL MIFLEX (2)</i>
9	420375P	HOSE INLET ASSY MIFLEX II (10MM ID)
	<i>Includes</i>	<i>FILTER INLET PLASTIC</i>
	<i>Includes</i>	<i>CONNECTOR SEAL(2)</i>
	422680P	HOSE INLET LONG (2MX10MM ID) PKD
	<i>Includes 420016</i>	<i>FILTER INLET MIFLEX</i>
	<i>Includes 420017</i>	<i>CONNECTOR SEAL MIFLEX (2)</i>
11	422808P	GUIDE OUTLET HOSE
12	426455	FIXTURE DRAIN HOSE
13	611933P	SCREW ST 8X5/8 TA MTS PH H5 (PKT 10)
14	425487	CLIP FIXTURE DRAIN HOSE
15	425611	CLAMP HOSE 08.5 TALL GRIP
16	425299	TUBE PRESSURE SENSOR SD2
17	425503	BRACKET DRAIN HOSE
18	425150P	SCREW ST 1/4 X 1" PLASTITE (PKT 10)
19	420820	HOSE & HARNESS ASSY
27	479314	CARD WARRANTY REGISTRATION ALL PRODUCT NZ/AU
28	420983	BOOK USE & CARE MW/GW12 NZ/AU
29	479273	KIT CATCH LID
	<i>Includes 479263</i>	<i>CATCH LID PARTIAL OPENING</i>
	<i>Includes 479278</i>	<i>TAPE FOAM DIE CUT 46X40X1</i>
	<i>Includes 479272</i>	<i>LEAFLET INSTALLATION CATCH LID</i>

INNER AND OUTER BOWLS AND PUMP

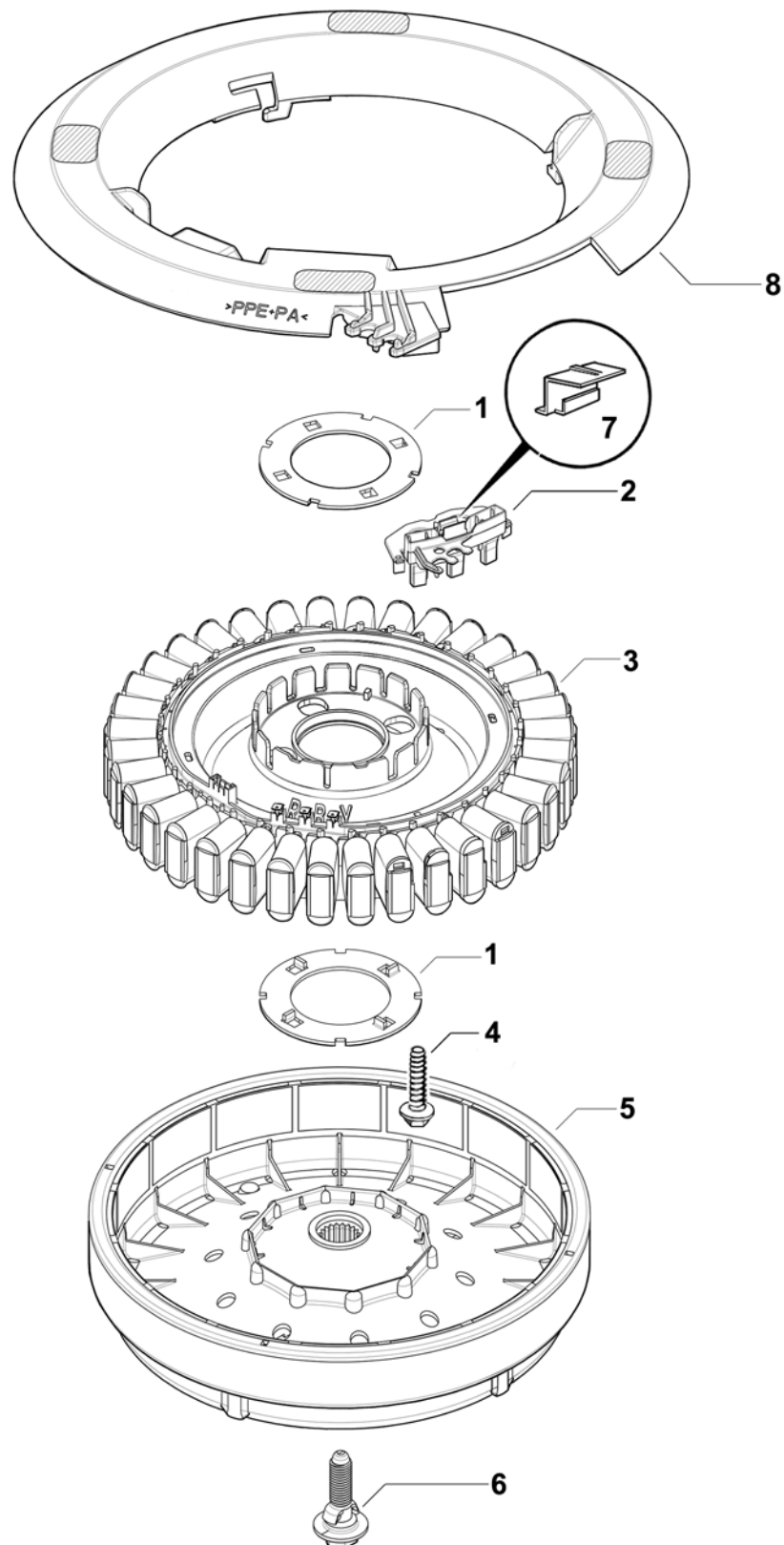


DWG000041

INNER AND OUTER BOWLS AND PUMP

REF	PART	DESCRIPTION
1	420841P	BOWL INNER 700 ASSY PKD
	<i>Includes 425080</i>	<i>SPLINE DRIVEN</i>
	<i>Includes 425131</i>	<i>SCREW CLUTCH (3)</i>
	<i>Includes 425596</i>	<i>SPLINE DRIVE ASSY</i>
2	425131P	SCREW CLUTCH (PKT 10)
3	479318	KIT SPLINE DRIVE
	<i>Includes 425080</i>	<i>SPLINE DRIVEN</i>
	<i>Includes 425596</i>	<i>SPLINE DRIVE ASSY</i>
4	425009P	LIPSEAL PKD
5	425006P	BEARING 6005LLU PKD
6	425007	SPACER BEARING
7	420794P	KIT SHAFT SHORTENED
	<i>Includes 420664</i>	<i>BOLT ROTOR</i>
	<i>Includes 420665</i>	<i>BOLT AGITATOR</i>
	<i>Includes 479359</i>	<i>INSTRUCTION SHEET</i>
8	425171	NUT BEARING
9	425162P	SCREW COVER (PKT 10)
10	479188P	KIT DRAIN CAP HOOD & IMPELLOR
	<i>Includes 425115</i>	<i>SEAL PUMP CAP</i>
	<i>Includes 420319</i>	<i>IMPELLOR INSERT ASSY</i>
	<i>Includes 426939</i>	<i>CAP PUMP RIBBED</i>
	<i>Includes 426940</i>	<i>HOOD PUMP</i>
11	421099	BOWL OUTER KIT LARGE
	<i>Includes 425006</i>	<i>BEARING 6005LLU</i>
	<i>Includes 425007</i>	<i>SPACER BEARING</i>
	<i>Includes 425009</i>	<i>LIP SEAL</i>
	<i>Includes 425115</i>	<i>SEAL PUMP CAP</i>
	<i>Includes 425162</i>	<i>SCREW COVER</i>
	<i>Includes 426939</i>	<i>CAP PUMP RIBBED</i>
	<i>Includes 426940</i>	<i>HOOD PUMP</i>
	<i>Includes 421094</i>	<i>SHIELD MOTOR UL (BLACK)</i>
	<i>Includes 425961</i>	<i>SHIELD MOTOR SD UL (BROWN)</i>
	<i>Includes 426145</i>	<i>TUBE BUFFER SHIELD MOTOR UL (4)</i>
	<i>Includes</i>	<i>SHEET INSTALLATION INSTRUCTION</i>
12	426750P	SUSPENSION ASSY SQUASHED (PKT 4)
13	425149	SEAL O RING PRESSURE CHAMBER
14	613710	CLIP EDGE
15	425097	PLUG PRESSURE CHAMBER
16	613709P	CLIP PIPE UNITED CARR FT19280-ZNPL (PKT 10)
17	420324P	PUMP DRAIN 230V 50Hz
	<i>Includes 420319</i>	<i>IMPELLOR INSERT ASSEMBLY</i>
18	425128	CLIP PUMP RETAINING
19	425150P	SCREW ST 1/4 X 1" PLASTITE (PKT 10)
20	425028	BRACKET PUMP
21	472867	CLIP WIRING OUTER BOWL
22	NOT USED	

MOTOR



DWG000992

MOTOR

REF	PART	DESCRIPTION
1	426174P	CLAMP PLATE STATOR LANCED (PAIR)
2	420776P	RPS SD PH7 SPARES
	<i>Includes 420773</i>	<i>COVER TERMINAL RAST</i>
3	420775P	STATOR ASSEMBLY PKD
4	426835P	SCREW STATOR (PKT 10)
5	420774P	ROTOR ASSEMBLY PKD
	<i>Includes 420664</i>	<i>BOLT ROTOR</i>
6	420664	BOLT ROTOR
7	420773	COVER TERMINAL RAST
8	421094	SHIELD MOTOR UL

NOTES