

Fisher & Paykel
appliances

customer *care*[™]

Parts Manual Clothes Dryer

Model:
DE45F56AW 1 FP NZ

Product Code:
92107-A



care

92107-A

PRODUCT

Brand	Fisher & Paykel
Voltage	220-240V 50Hz
Model	DE45F56AW 1 FP NZ
Product Code	92107-A

Fisher & Paykel Appliances Ltd

78 Springs Road,
East Tamaki,
PO Box 58-732, Greenmount,
Auckland,
New Zealand
Telephone: 09 273 0600
Facsimile: 09 273 0656
Email: customer.care@fp.co.nz

CONTENTS

CABINET & FITTINGS	6
CONTROLS, TOP PANEL & AIR DUCT	8
DOOR ASSEMBLY & HINGE COMPONENTS.....	10
DRUM ASSEMBLY & ACCESSORIES.....	12
MOTOR, FAN & MOUNTING COMPONENTS	16

GUIDE TO USING THIS MANUAL

The model covered by this manual is listed on the front cover.

The information detailed in this manual is subject to change without notice. The latest version is indicated by the reprint date and replaces any earlier editions.

The front cover picture shows the type of product and may not necessarily be an exact image of the model covered by the manual.

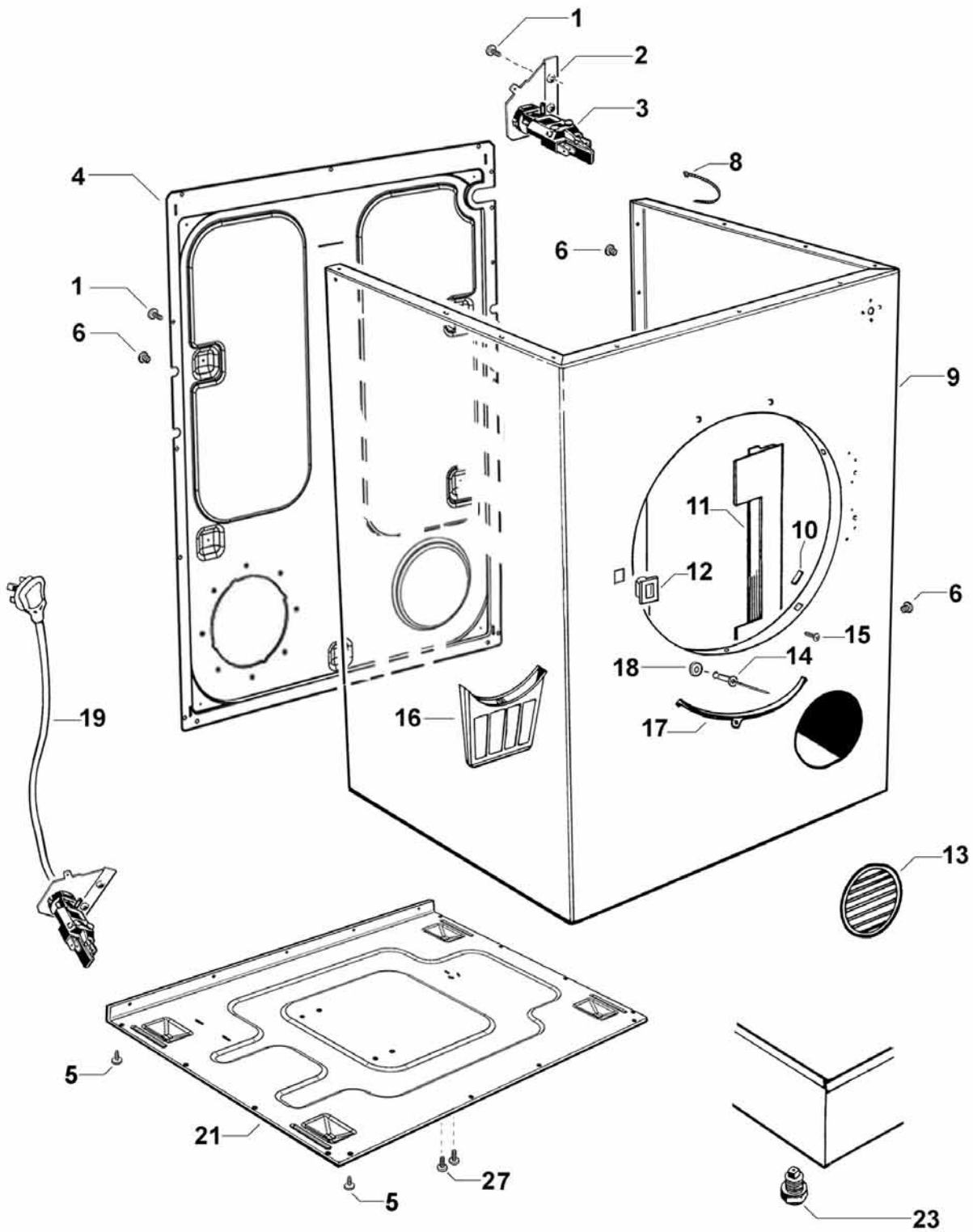
Kit Parts

The components shown in *italics with a part number* are those parts in the kit which are available also as separate items. In addition, some parts may be supplied with this kit which are not available as separate items and are therefore either not listed or a part number is not shown against the part description in this manual.

Parts List Key

NOT USED	As a part, indicates the diagram part reference is not used in this manual.
<i>italics</i>	Kit components or parts included are shown in <i>italics</i> . Refer to above notes: Kit Parts.
NI	As a part reference, indicates the part is not illustrated on the diagram.

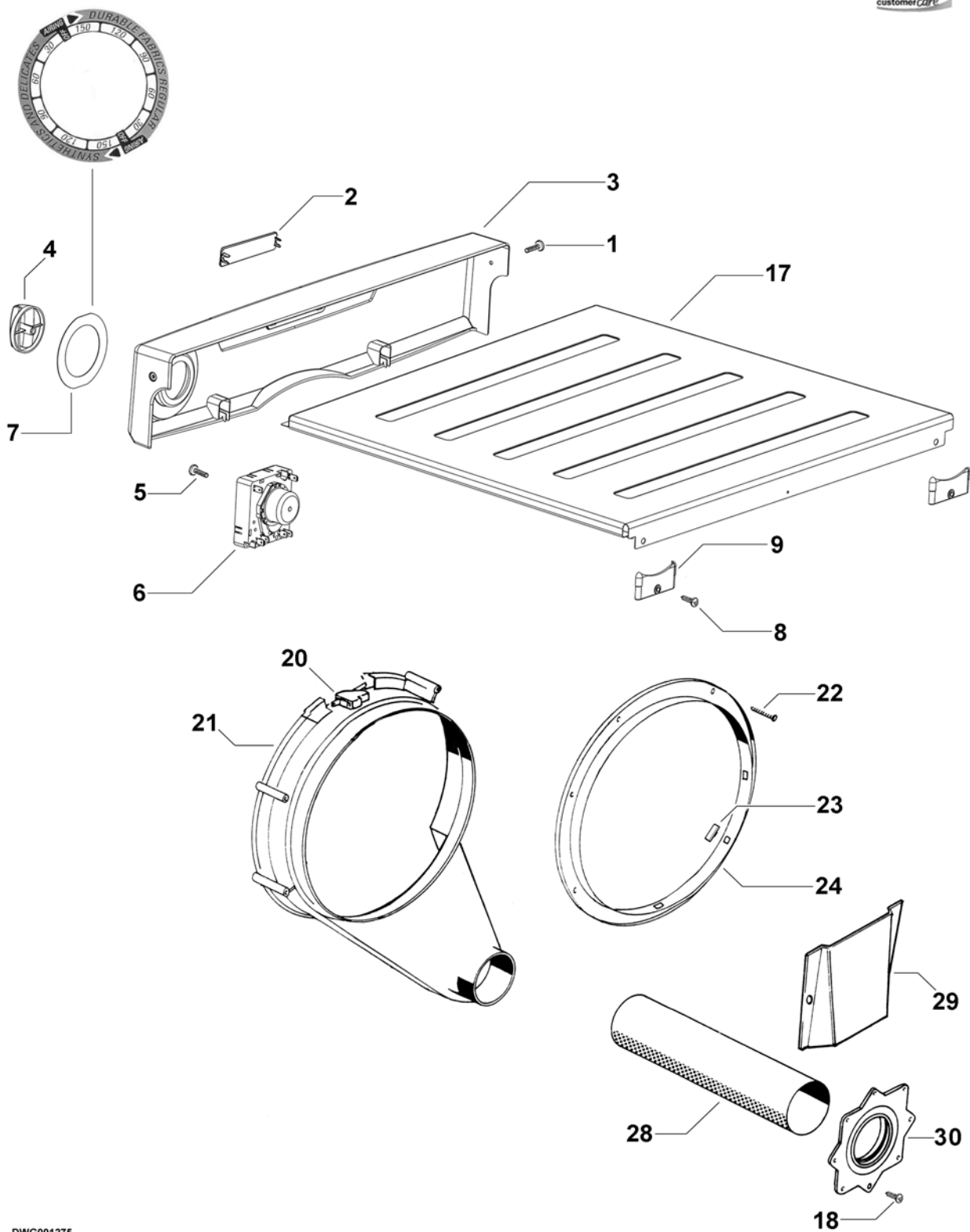
CABINET & FITTINGS



CABINET & FITTINGS

REF	PART	DESCRIPTION
1	611982P	SCREW ST 8X1/2 TDS PAN (PKT10)
2	427097	BRACKET MAINS CABLE
3	427102	CLAMP TERMINAL BLOCK
4	427687P	PANEL BACK FORMED D5
5	611977P	SCREW ST 8X1/2SD TRS (PKT 10)
6	611996P	SCREW ST 10-32X3/8 TRILOB PAN (PKT 10)
8	621936P	TIE CT120M ACTIVE (PKT 10)
9	427765P	WRAPPER CABINET DE45F56AW1 PKD
10	460286P	BEARING REVERSIBLE (PKT 6)
11	427384	SHIELD WIRING
12	410128	CATCH
13	460997P	GRILLE INTAKE ROUNDED
14	613111	RIVET 1/8 ALUM 73AS-4-3
15	611986P	SCREW ST 8X20MM HILO (PKT 10)
16	460546	FILTER ASSY
17	460768	TRIM LINT FILTER WHITE
18	611626P	WASHER PLAIN 1/8X5/16X20G MS Z (PKT 10)
19	427602	CORD SET/CLAMP/BRKT/DRYER ASSY
	<i>Includes 427097</i>	<i>BRACKET MAINS CABLE</i>
	<i>Includes 427102</i>	<i>CLAMP TERMINAL BLOCK</i>
	<i>Includes 427601</i>	<i>CORD SET DRYER INSULATED PINS</i>
21	427741P	BASE PANEL FORMED D5
23	472969P	KIT FOOT & INSERT
27	611996P	SCREW ST 10-32X3/8 TRILOB PAN (PKT 10)

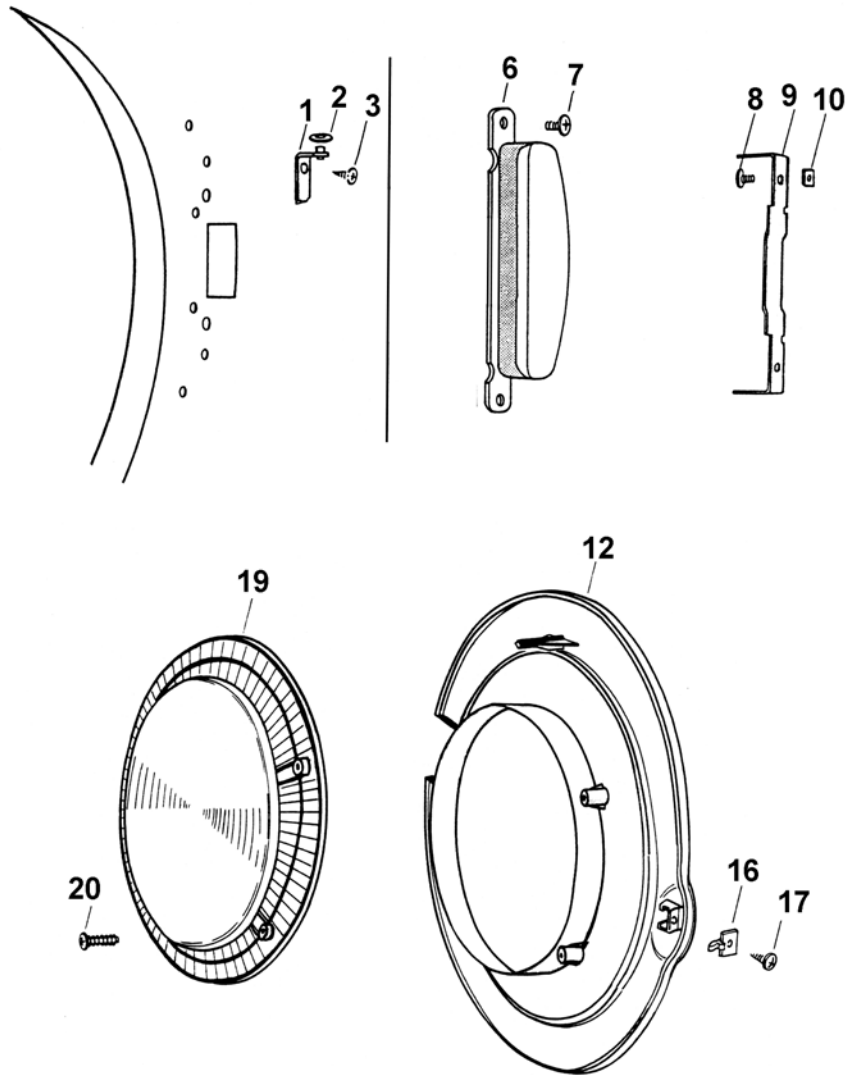
CONTROLS, TOP PANEL & AIR DUCT



CONTROLS, TOP PANEL & AIR DUCT

REF	PART	DESCRIPTION
1	611977P	SCREW ST 8X1/2SD TRS (PKT 10)
2	427785P	BADGE DEFAW FP PKD
3	427763P	CONSOLE DEFAW PKD
4	427767P	KNOB ASSY TIMER DEFAW PKD
NI	260160P	COMPRESSION RING SPIRE SCB1730 (PKT 10)
5	610103P	SCREW MC M3 04MM PAN PH MS (PKT 10)
6	427608P	TIMER DRYER /REVERSING PACKED
7	427775P	PANEL CONTROL DEFAW PKD
8	611986P	SCREW ST 8X20 HILO PAN PH (PKT 10)
9	427771P	SEAL TOP PANEL REAR PKD
17	427769P	PANEL TOP FORMED DE45 PKD
18	611977P	SCREW ST 8X1/2SD TRS (PKT 10)
20	427850	MICROSWITCH AD55 OMRON
21	427738	KIT DUCT & SEAL ASSY
	<i>Includes</i>	<i>DUCT WHITE</i>
	<i>Includes 460917</i>	<i>GASKET DUCT</i>
	<i>Includes</i>	<i>SEAL FELT D5 3MMX10MM 10M</i>
	<i>Includes</i>	<i>COVER DUCT HOLE SELF ADHESIVE AD55</i>
	<i>Includes</i>	<i>SHEET INSTRUCTION</i>
22	611986P	SCREW ST 8X20MM HILO (PKT 10)
23	460286P	BEARING REVERSIBLE (PKT 6)
24	460492	SUPPORT DRUM FRONT
28	427319P	PIPE EXHAUST - PP
29	460828P	DEFLECTOR VENT AD/ED5 PACKED
30	410843P	NUT FLEXIBLE HOSE
NI	460917	GASKET DUCT

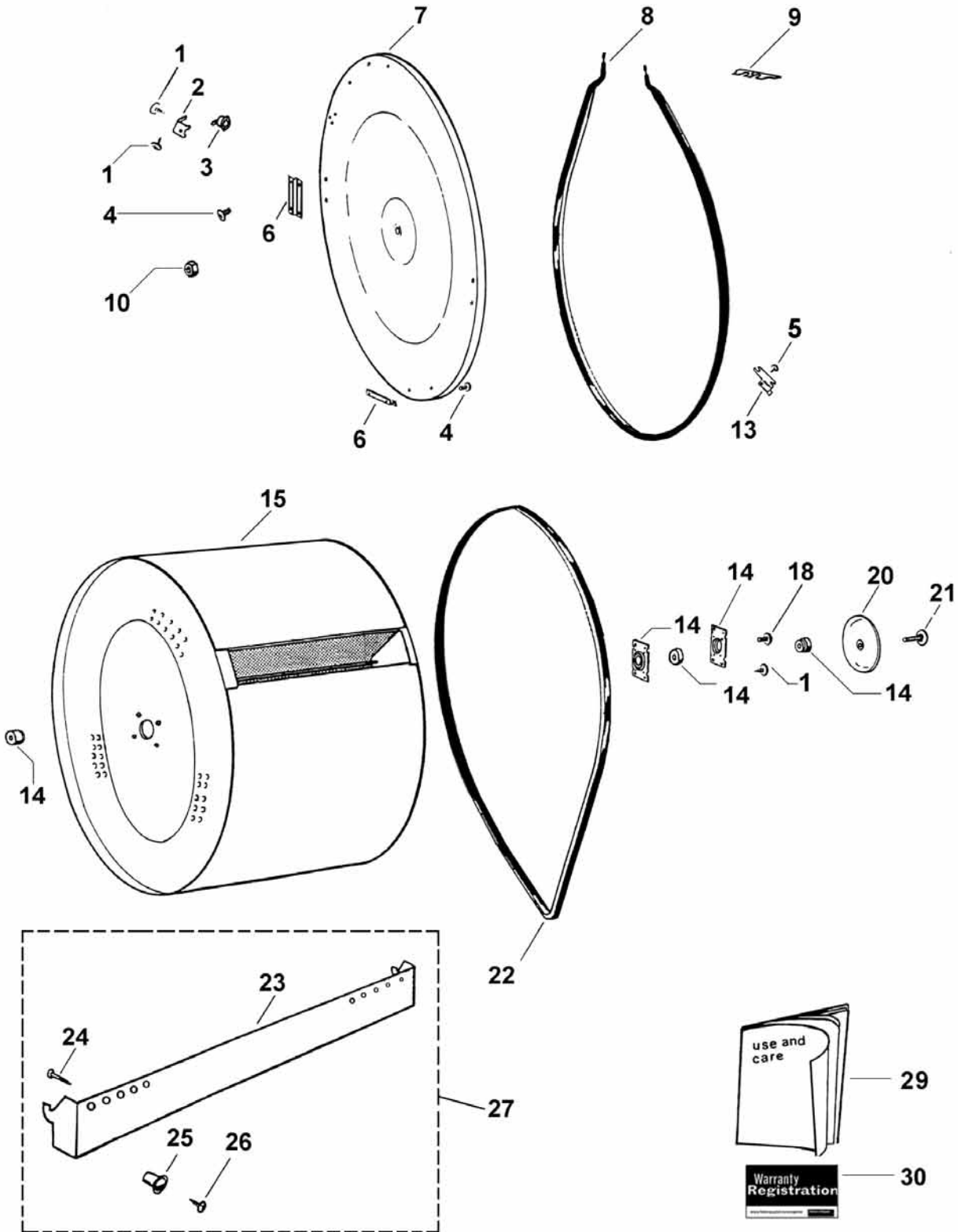
DOOR ASSEMBLY & HINGE COMPONENTS



DOOR ASSEMBLY & HINGE COMPONENTS

REF	PART	DESCRIPTION
1	427314P	HINGE RIVETED ASSY SHORT PKD
2	410261P	WASHER PLAIN 5X10X0.9 MS ZNPL (PKT 10)
3	611914P	SCREW ST 10X1/2 TAB PAN PH (PKT 10)
6	427142P	COVER HINGE D5 WHITE
7	611914P	SCREW ST 10X1/2 TAB PAN PH HS (PKT 10)
8	610210P	SCREW MC M4X08 PAN PH MS ZN (PKT 10)
9	460935	BUTT HINGE ROUNDED DOOR
10	611103P	NUT M4 HEX FS MS ZNPL (PKT 10)
12	427077	KIT DOOR ASSY REAR VENTED
	<i>Includes 427225</i>	<i>DOOR RV WHITE SLOTTED CABINET</i>
	<i>Includes 427142</i>	<i>COVER HINGE D5 WHITE</i>
	<i>Includes 427143</i>	<i>CLAMP SWITCH WHITE</i>
	<i>Includes 427314</i>	<i>HINGE RIVETED ASSY SHORT (2)</i>
	<i>Includes 460919</i>	<i>GASKET DOOR</i>
	<i>Includes 611972</i>	<i>SCREW ST 8-32X3/8 (2)</i>
	<i>Includes 621703</i>	<i>INSULATOR MICROSWITCH TERMINAL (2)</i>
	<i>Includes 502092</i>	<i>INSTRUCTION SHEET DOOR KIT</i>
	427225P	DOOR RV WHITE SLOTTED CAB PACK
16	410089P	STRIKE
17	611977P	SCREW ST 8X1/2 SD TRS NIB PH HS ZNP (PKT 10)
19	460519P	WINDOW DOOR
20	611986P	SCREW ST 8X20MM HILO (PKT 10)

DRUM ASSEMBLY & ACCESSORIES

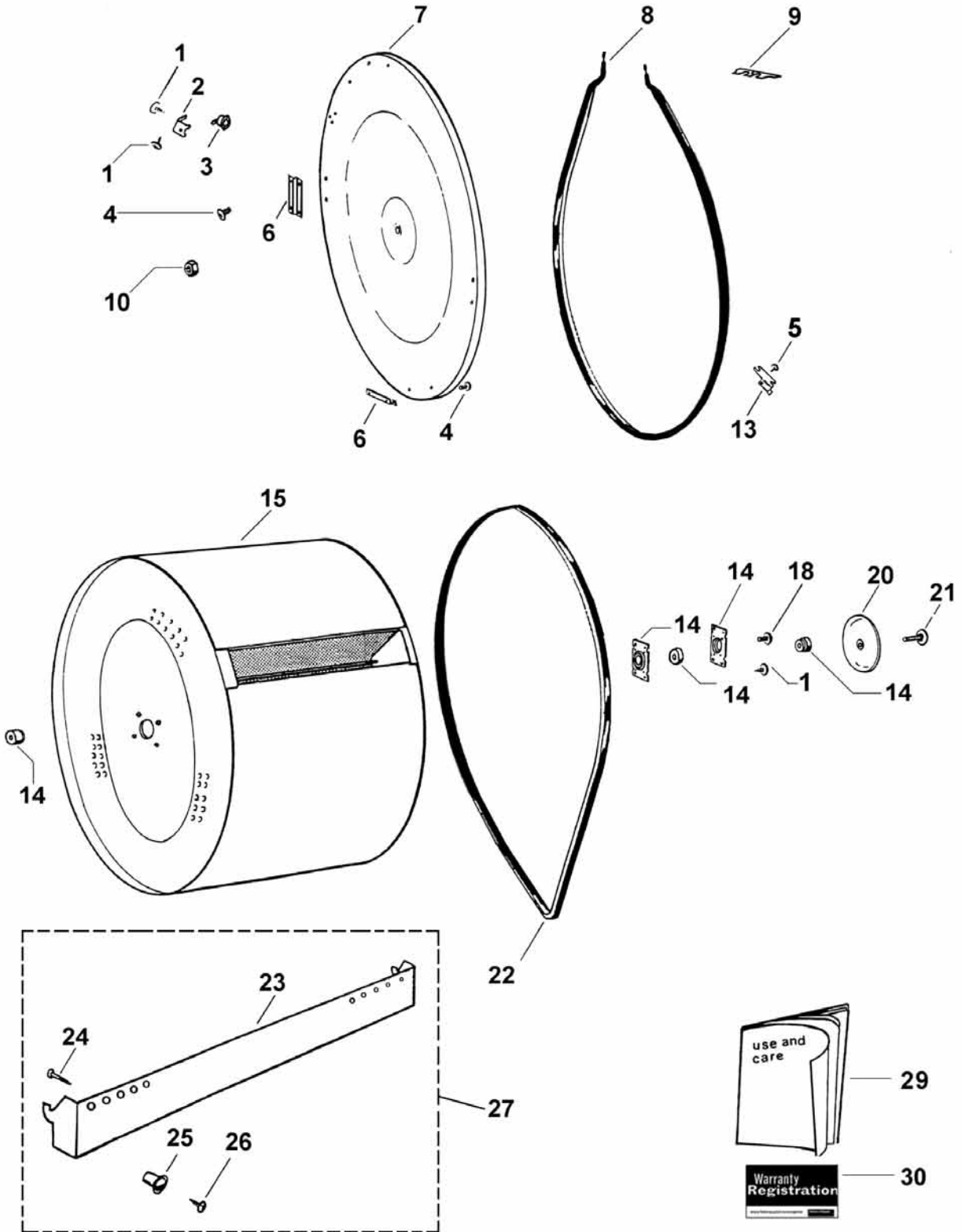


DRUM ASSEMBLY & ACCESSORIES

REF	PART	DESCRIPTION
1	611977P	SCREW ST 8X1/2 SD TRS NIB PH HS ZNP (PKT 10)
2	460351P	MOUNTING THERMOSTAT
3	460530	THERMOSTAT OVERHEAT
4	611996P	SCREW ST 10-32X3/8 TRILOB PAN (PKT 10)
5	611972P	SCREW ST 8-32X3/8 (PKT 10)
6	427312	BRACKET HEATER PLATE
7	479113	KIT HEATER PLATE
	<i>Includes 427309</i>	<i>SPACER OUTSIDE DRUM RECESSED</i>
	<i>Includes 427312</i>	<i>BRACKET HEATER PLATE (4)</i>
8	427577	ELEMENT 240V SINGLE 304SS
9	460632	RETAINER ELEMENT
10	611206P	NUT LOCK M8 HEX FL MS ZNPL (PKT 10)
13	460620	BRACKET TWIN ELEMENT
14	479317P	KIT DRUM BEARING
	<i>Includes 427309</i>	<i>SPACER OUTSIDE DRUM RECESSED</i>
	<i>Includes 460358</i>	<i>COVER BEARING (2)</i>
	<i>Includes 405061</i>	<i>BEARING</i>
	<i>Includes 460360</i>	<i>SPACER (INSIDE DRUM)</i>
15	427349P	DRUM ASSY PREPAINTED D5 PACKED
	<i>Includes 405061</i>	<i>BEARING</i>
	<i>Includes 460358</i>	<i>COVER BEARING (2)</i>
	<i>Includes 611977</i>	<i>SCREW ST 8X1/2 SD TRS NIB PH HS ZNP (4)</i>
	<i>Includes 611996</i>	<i>SCREW ST 10-32X3/8 TRILOB PAN (2)</i>
18	611996P	SCREW ST 10-32X3/8 TRILOB PAN (PKT 10)
20	427639P	CAP DRUM REAR PREPAINTED WHITE AD5
21	427474	BOLT DRUM TAPERED
22	460529P	BELT POLY VEE D5 (ZI5180) PKD
23	427789	BRACKET WALL MOUNTING + 4MM
24	460669	SCREW ST 14 X 50 TIMBERTITE HX
25	460912P	SPACER MOUNTING BRACKET (PKT 2)
26	611994P	SCREW ST 8X3/4 TAB (PKT 10)
27	502067	KIT WALL MOUNTING
	<i>Includes 460669</i>	<i>SCREW ST 14 X 50 TIMBERTITE HX (2)</i>
	<i>Includes 460686</i>	<i>LEAFLET WALL MOUNT INSTRUCTION</i>
	<i>Includes 460912</i>	<i>SPACER MOUNTING BRACKET (2)</i>
	<i>Includes 427789</i>	<i>BRACKET WALL MOUNTING + 4MM</i>
	<i>Includes 611604</i>	<i>WASHER FLAT 5/32X3/8 MS ZNPL P (2)</i>
	<i>Includes 611994</i>	<i>SCREW ST 8X3/4 TAB (2)</i>
29	427782	BOOK USE & CARE DRYER
30	479314	CARD WARRANTY REGISTRATION ALL PRODUCTS & MKTS

Continued next page

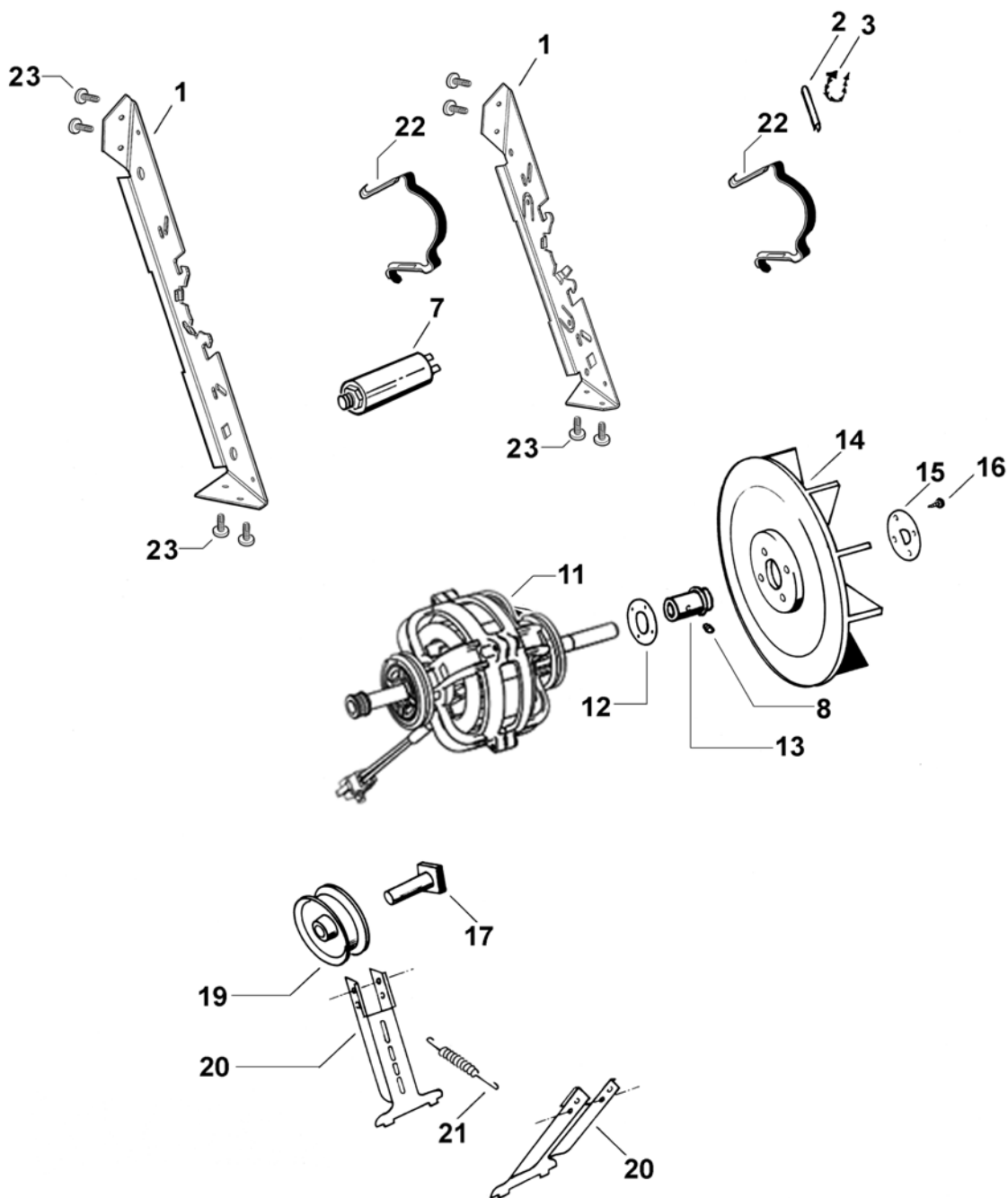
DRUM ASSEMBLY & ACCESSORIES



DRUM ASSEMBLY & ACCESSORIES

REF	PART	DESCRIPTION
NI	502028	KIT HARDWARE DRYER INVERTED
	<i>Includes 460669</i>	<i>SCREW ST 14 X 50 TIMBERTITE HX (2)</i>
	<i>Includes 460686</i>	<i>LEAFLET WALL MOUNT INSTRUCTION</i>
	<i>Includes 460912</i>	<i>SPACER MOUNTING BRACKET (2)</i>
	<i>Includes 817819</i>	<i>SCREW ST 8X25 SP PAN NIB PH TV (2)</i>
	<i>Includes 611604</i>	<i>WASHER FLAT 5/32X3/8 MS ZNPL P (2)</i>
NI	460754	KIT VENT EXTERNAL 400MM HOSE
	<i>Includes 319116</i>	<i>PIPE VENT</i>
	<i>Includes 319117</i>	<i>GASKET FOAM</i>
	<i>Includes 2001076</i>	<i>VENT CAP</i>
	<i>Includes 405135</i>	<i>TAP-IT FASTENER (2)</i>
	<i>Includes 460601</i>	<i>HOSE EXHAUST FLEXIBLE 0.40 MT</i>
NI	2001010P	VENT THROUGHWALL KIT WHEF100VW
NI	P6451	UNIVERSAL DRYER VENT KIT
NI	460601P	HOSE EXHAUST FLEXIBLE 400 MM PKD
NI	503858	HOSE EXHAUST FLEXIBLE 2.00 MET

MOTOR, FAN & MOUNTING COMPONENTS



MOTOR, FAN & MOUNTING COMPONENTS

REF	PART	DESCRIPTION
1	460522	BRACKET MOTOR MOUNTING-AD5
2	427802	STRIP CHAFE 50MM
3	621936P	TIE CT120M ACTIVE (PKT 10)
7	427616	CAPACITOR KIT 7uF PRL
	<i>Includes</i>	CAPACITOR 7uF PRL M8 STUD ICAR
	<i>Includes 621936</i>	CABLE TIE CT120M ACTIVE
	<i>Includes</i>	NUT M8 ST HEX FLANGE
	<i>Includes</i>	INSTRUCTION SHEET 7uF CAP K IT
11	427694P	MOTOR KIT PSC WTIC D5 PKD
12	410046	CLAMP DISC
13	460872	BOSS FAN
14	460773	FAN D5
15	410047	DISC DRIVE
16	611982P	SCREW ST 8X1/2 TDS PAN PKT 10
17	395203P	PIN JOCKEY PULLEY PKD
19	460547P	PULLEY JOCKEY ASSEMBLY
20	427442	ARM JOCKEY
21	427414	SPRING JOCKEY PULLEY
22	427375P	CLIP SPRING MOTOR MOUNTING
23	611996P	SCREW ST 10-32X3/8 TRILOB PAN (PKT 10)