

ELBA
by Fisher & Paykel

Parts Manual Built-in Oven

Model:
OB60BCEX 1 EL NZ

Product Code:
89124-A



care

89124-A

PRODUCT

Brand Elba by Fisher & Paykel
Voltage 220-240v 50 Hz
Model OB60BCEX 1 EL NZ
Product Code 89124-A

Description
Brushed stainless steel, electronic clock, Elba knob, Elba handle, 2 pane doors

Fisher & Paykel Appliances Ltd
78 Springs Road, East Tamaki
PO Box 58-732, Greenmount
Auckland, New Zealand
Telephone: 09 273 0600
Facsimile: 09 273 0656

COPYRIGHT © FISHER & PAYKEL LTD 2008 - ALL RIGHTS RESERVED

CONTENTS

CONTROL PANEL & COMPONENTS	6
CHASSIS ASSEMBLY	8
LOWER DOOR ASSEMBLY	12
UPPER DOOR ASSEMBLY	14
ELEMENTS AND ACCESSORIES	16

Fisher & Paykel regularly publish Technical Bulletins, which give more details on product changes. To read these bulletins, go to the Cool Blue World website on <http://cbw.fp.co.nz>.

GUIDE TO USING THIS MANUAL

The model covered by this manual is listed on the front cover.

The information detailed in this manual is subject to change without notice. The latest version is indicated by the reprint date and replaces any earlier editions.

The front cover picture shows the type of product and may not necessarily be an exact image of the model covered by the manual.

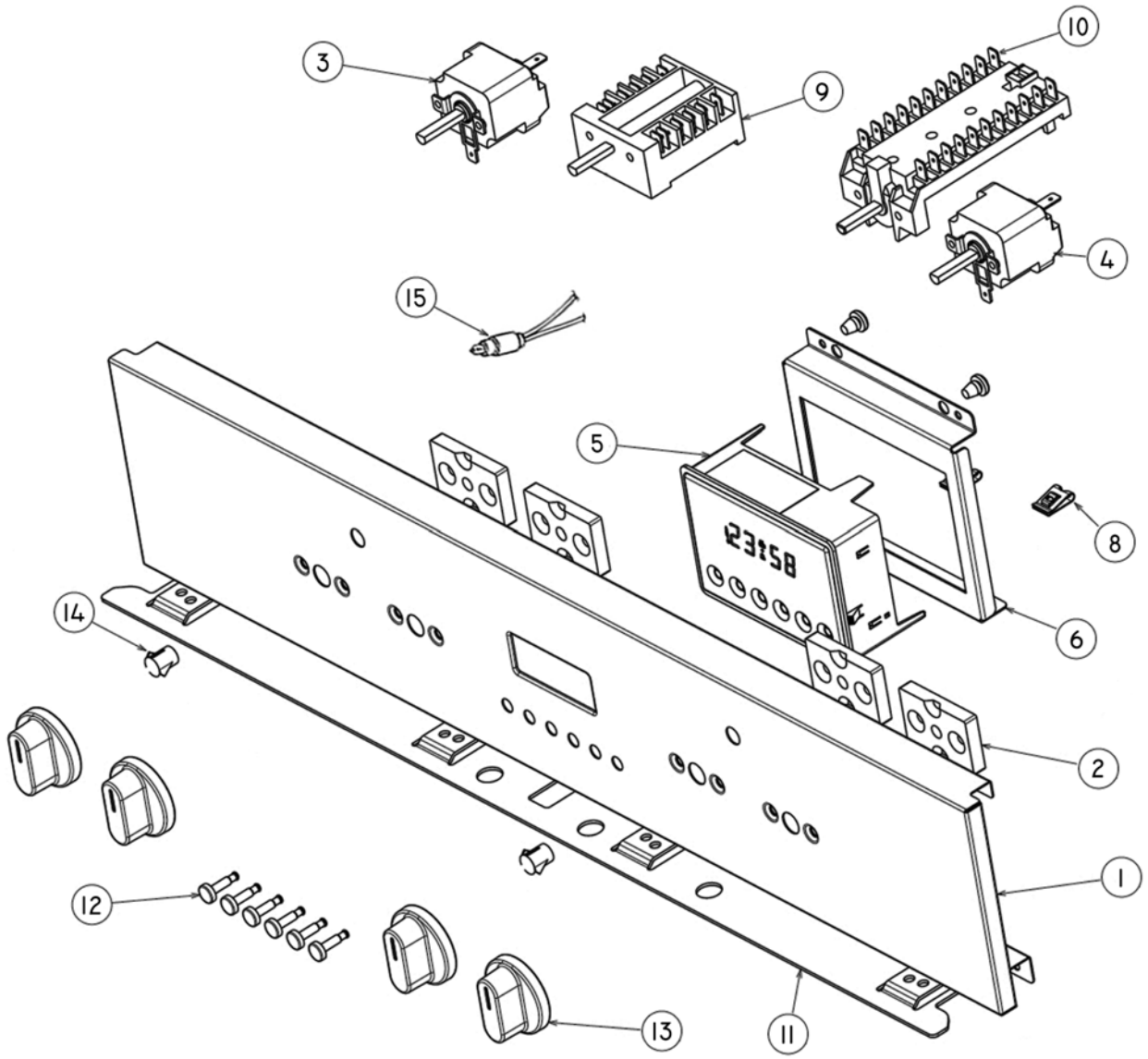
Kit Parts

Kit components are shown in *italics*. Where a part number is shown against the descriptions for these kit components, they are also available as separate items. In addition, some parts may be supplied with these kits that are not available as separate items, and are therefore either not listed, or a part number is not shown against the part description in this manual.

Parts List Key

<i>italics</i>	Kit components or parts included are shown in <i>italics</i> . Refer to above notes: Kit Parts.
NI	As a part reference, indicates the part is not illustrated on the diagram.
NOT USED	As a part number, indicates the diagram part reference is not used in this manual.

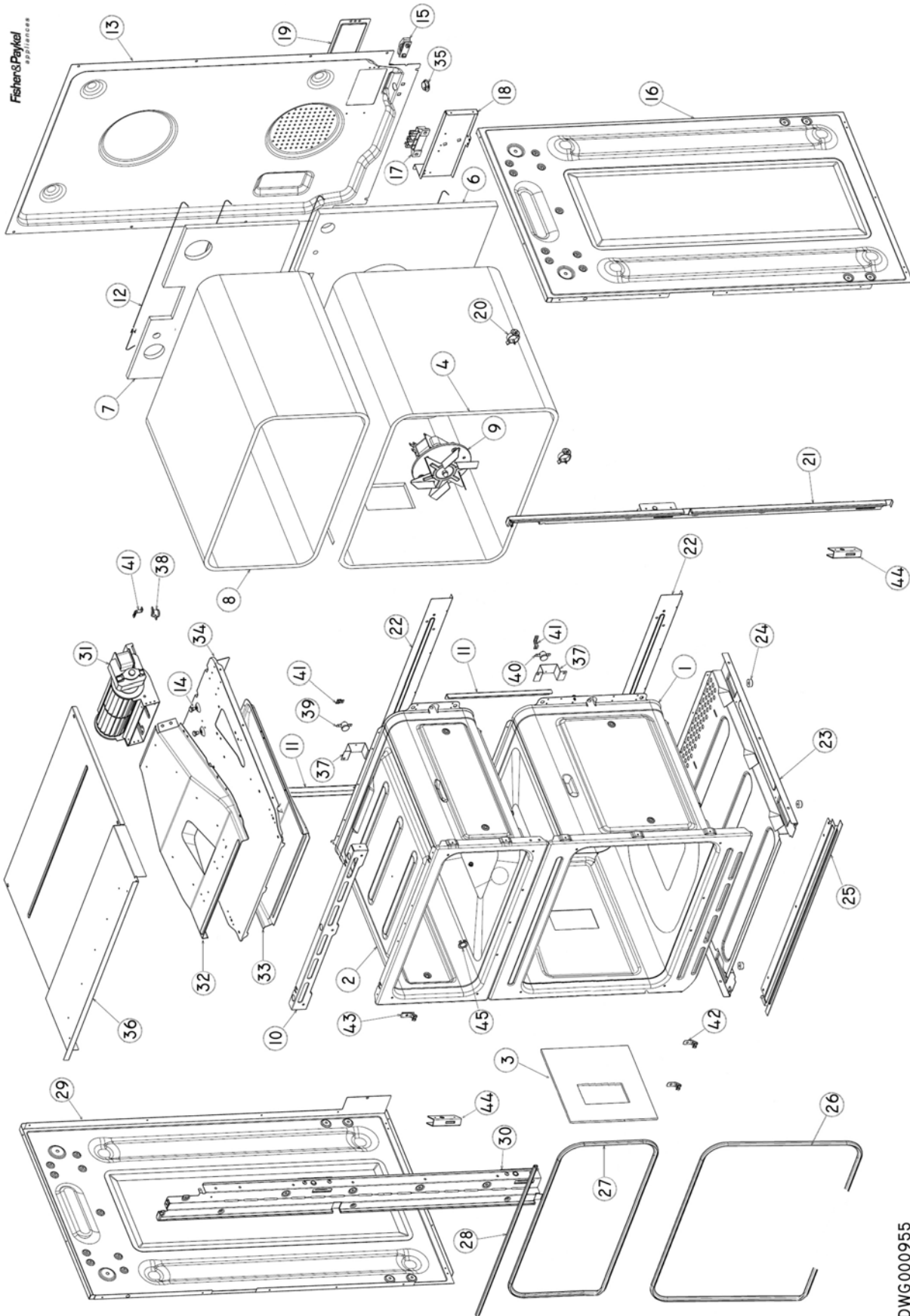
CONTROL PANEL & COMPONENTS



CONTROL PANEL & COMPONENTS

REF	PART	DESCRIPTION
1	574666P	PANEL CONTROL 60 BCEW EL
2	574210	SPACER PLASTIC 7MM
3	574440	THERMOSTAT EGO 55.17059.240
4	574336	THERMOSTAT EGO 55.19059.819
5	542444P	CLOCK ELECTRONIC 6 BUTTON
6	574206	BRACKET CLOCK
7	574145P	GROMMET RUBBER (PKT 12)
8	574144P	SPIRE NUT (PKT 10)
9	574338	SWITCH FUNCTION
10	573632	SWITCH FUNCTION
11	574116	TRIM DEFLECTOR SS
12	574213P	BUTTON PLASTIC (PKT 3)
13	574626	KNOB ELBA DO
14	574207	BEZEL NEON RED
15	574389	NEON L.230/240V EM

CHASSIS ASSEMBLY



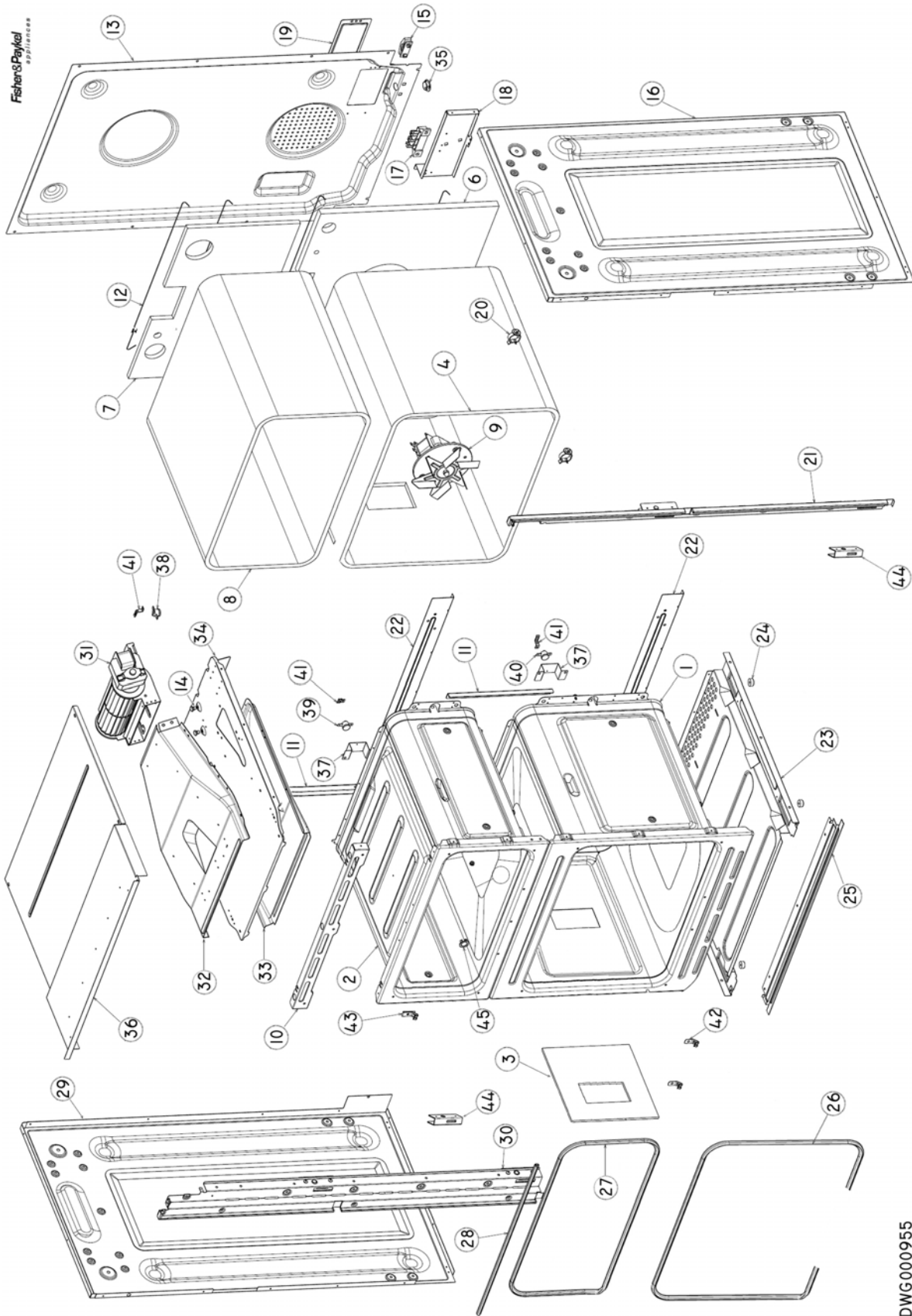
DWG000955

CHASSIS ASSEMBLY

REF	PART	DESCRIPTION
1	574048P	OVEN & FRAME ASSY ENAM 53LT DBL (SP)
2	574046P	OVEN & FRAME ASSY ENAM 35LT (SP)
3	574071	INSULATION SIDE LAMP
4	574070	INSUL WRAP CLASS B TERMOVER
5	574170	INSUL FAN ASY CLASS B TERMOVER (INSUL & FOIL)
6	574072	INSUL REAR CLASS B TERMOVER
7	574165	INSUL REAR SML CLAS B TERMOVER
8	574164	INSUL WRAP TOP CLAS B TERMOVER
9	574205P	FAN KITSET OVEN OB60 (E) (SP)
	<i>Includes</i>	<i>FAN MOTOR & MOUNTING</i>
	<i>Includes</i>	<i>FAN BLADE</i>
	<i>Includes</i>	<i>NUT</i>
10	574353	VENT TRIM TOP BK
11	574354	BRACKET JOINER OB60 DBL
12	574169	SPRING REAR INSUL SUPPORT
13	574344	PANEL REAR DBL
14	574378P	GROMMET (PKT 4)
15	574379	CLAMP CABLE
16	574347	PANEL SIDE RIGHT DBL
17	574351	TERMINAL BLOCK DBL
18	574355	BRACKET TERMINAL BLOCK
19	574352	COVER TERMINAL BLOCK
20	574148P	CLIP CABLE STANDOFF (PKT 2)
21	574357	TRIM ASSY OVEN FRONT DBL RH BK
	<i>Includes 574149</i>	<i>BRACKET HINGE SUPPORT</i>
22	574073	BRACKET ELEMENT LOWER
23	574078	PANEL BASE
24	574277P	KIT FEET/SCREWS (PKT 4)
	<i>Includes 556636</i>	<i>SCREW ST 7X13 TAB MSH PH ZP</i>
25	574083	TRIM FRAME LOWER BK
26	574424	GASKET OVEN 53LT (CUT)
27	574163	GASKET OVEN 35LT
28	574063	GASKET FRAME
29	574348	PANEL SIDE LEFT DBL
30	574358	TRIM ASSY OVEN FRONT DBL LH BK
	<i>Includes 574149</i>	<i>BRACKET HINGE SUPPORT</i>
31	574202P	FAN COOLING (E) (SP)
32	574079	PANEL VENTING UPPER
33	574349	PANEL VENTING LOWER DBL
34	574080	PANEL VENTING MIDDLE
35	574145P	GROMMET RUBBER (PKT 12)
36	574215	PANEL TOP
37	574258	BRACKET LIMITER MOUNTING

Continued next page

CHASSIS ASSEMBLY

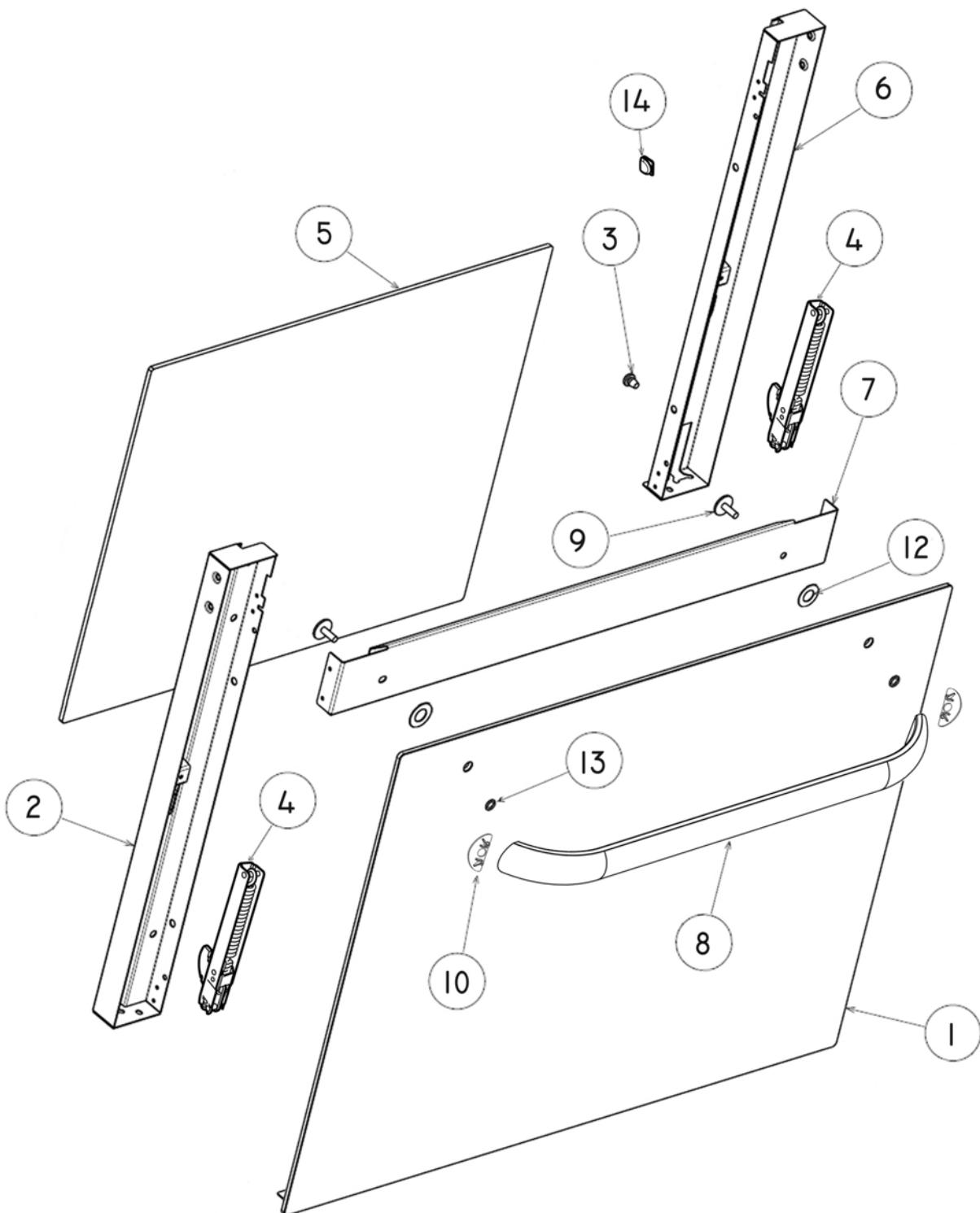


DWG000955

CHASSIS ASSEMBLY

REF	PART	DESCRIPTION
38	574289	LIMITER 130C CAMPINI
39	574339	LIMITER 55C CAMPINI
40	574340	LIMITER 175C CAMPINI
41	574132	CLIP LIMITER
42	574214	CLIP THERMST TUBE HINGED ELMNT
43	574341	CLIP THERMOSTAT TUBE
44	574149	BRACKET HINGE SUPPORT
45	574350	COVER ROTISSERIE HOLE

LOWER DOOR ASSEMBLY

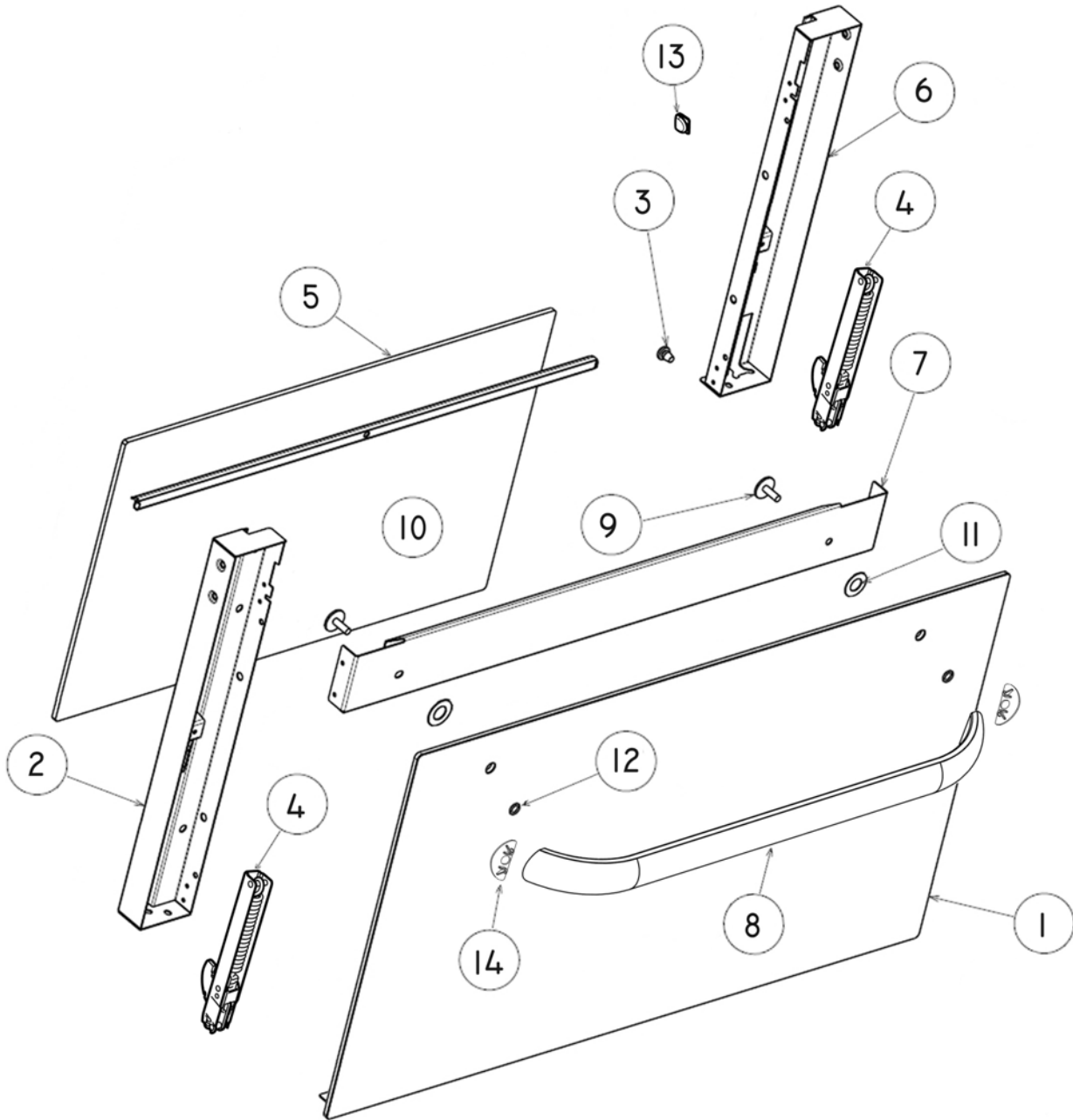


DWG001369

LOWER DOOR ASSEMBLY

REF	PART	DESCRIPTION
1	574617P	GLASS&BRACKET ASSY FULL EL SS
	<i>Includes</i>	<i>BRACKET DOOR LOWER</i>
	<i>Includes</i>	<i>GLASS DOOR FRONT 60 SS ELBA</i>
2	574075P	KIT BRACKET DOOR LH BK
	<i>Includes 574480</i>	<i>GROMMET DOOR BRACKET X 4</i>
3	574145P	GROMMET RUBBER (PKT 12)
4	574528	HINGE DOOR 063107
5	574366P	GLASS DOOR INNER OB60 MAIN DBL (SP)
6	574076P	KIT BRACKET DOOR RH BK
	<i>Includes 574480</i>	<i>GROMMET DOOR BRACKET X 4</i>
7	574343	BRACKET DOOR TOP BK
8	574710P	HANDLE ELBA 432 CTS SILVER
9	574678P	SCREW HANDLE M5X12 (PKT 2)
10	574701P	SPACER HANDLE ELBA (PKT 2)
12	574146P	WASHER 21 11 0.5 SILICONE (PKT 2)
13	574147P	O RING 9X6X2 (PKT 10)
14	574480P	GROMMET DOOR BRACKET (PKT 10)
NI	574479P	NUT SPIRE NO 6P (PKT 10)

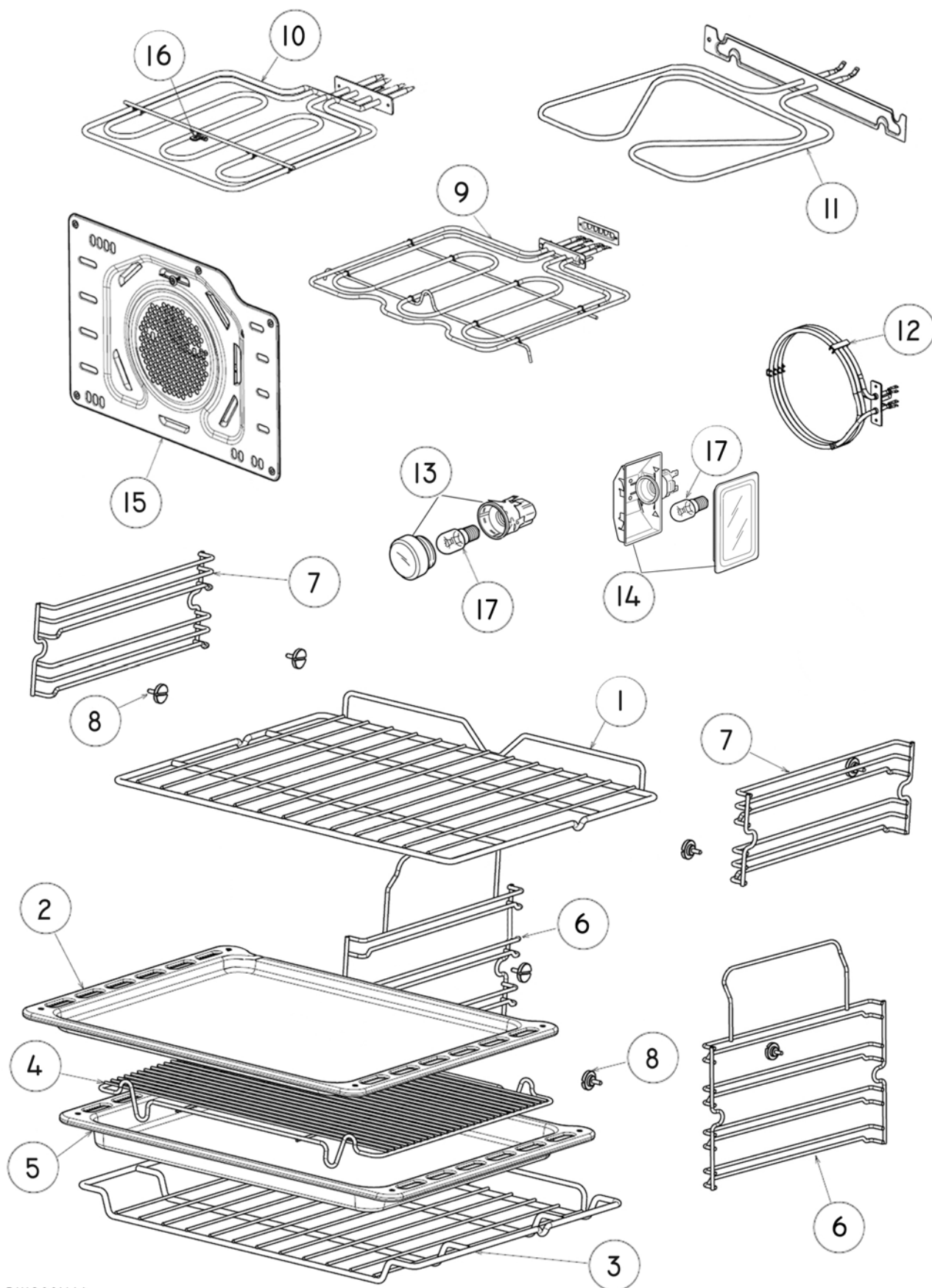
UPPER DOOR ASSEMBLY



UPPER DOOR ASSEMBLY

REF	PART	DESCRIPTION
1	574380P	GLASS&BRACKET ASSY SML UB (SP)
	<i>Includes</i>	<i>BRACKET DOOR LOWER</i>
	<i>Includes</i>	<i>GLASS DOOR FRONT SM 60</i>
2	574334P	KIT BRACKET DOOR SMALL LH BK
	<i>Includes 574480</i>	<i>GROMMET DOOR BRACKET X 4</i>
3	574145P	GROMMET RUBBER (PKT 12)
4	574342	HINGE DOOR SMALL 063112
5	574337P	GLASS DOOR INNER OB60 SMALL (SP)
6	574333P	KIT BRACKET DOOR SMALL RH BK
	<i>Includes 574480</i>	<i>GROMMET DOOR BRACKET X 4</i>
7	574074	BRACKET DOOR TOP BK
8	574710P	HANDLE ELBA 432 CTS SILVER
9	574678P	SCREW HANDLE M5X12 (PKT 2)
10	574124	GASKET DOOR INNER TOP
11	574146P	WASHER 21 11 0.5 SILICONE (PKT 2)
12	574147P	O RING 9X6X2 (PKT 10)
13	574480P	GROMMET DOOR BRACKET (PKT 10)
14	574701P	SPACER HANDLE ELBA (PKT 2)
NI	574479P	NUT SPIRE NO 6P (PKT 10)

ELEMENTS AND ACCESSORIES



ELEMENTS AND ACCESSORIES

REF	PART	DESCRIPTION
1	574250	RACK BAKE OB60
2	574095P	TRAY BAKING BRUSHED (SP)
3	574251	RACK STEPDOWN OB60
4	574099	RACK GRILL INSERT OB60
5	574094P	TRAY BAKING ENAM GPHT (SP)
6	574188	RACK SIDE
7	574167	RACK SIDE (DBL TOP OVEN)
8	574141P	SCREW SIDE WIRE RACK (PKT 4)
9	574067	ELEMENT TOP ASSY HINGED OB60
10	574161	ELEMENT TOP ASSY OB60 SML DBL
11	574158	ELEMENT BAKE ASSY ON60 CLASS B
	574162	ELEMENT BAKE ASSY SML DBL
12	574068	ELEMENT FAN ASSY OB60
13	574065P	LAMP ASSY REAR 77.222 (25W) (SP)
	<i>Includes 573235</i>	<i>LAMP FLOODLIGHT 230V 252 SES</i>
14	574066P	LAMP ASSY SIDE 77.722.2104.23 (SP)
	<i>Includes 573235</i>	<i>LAMP FLOODLIGHT 230V 252 SES</i>
15	574118	SHROUD FAN OB60 ENAM GPHT
16	574521	BRACKET TOP ELEMENT
17	573235	LAMP FLOODLIGHT 230V 252 SES
NI	89098	ACPROD S/C SIDE PANELS OB60 V1
NI	542061	BOOK SERVICE & WARRANTY
NI	599490	BOOK USR/INSTL OB6 MULTI EL NZ