

ELBA

Parts Manual

BUILT IN OVEN

60 EX SS

New Zealand



89106-A

PRODUCT

Brand Elba

Voltage 220-240V, 50Hz

Model	Description	Product Code
60 EX	SS NZ	89106-A

Fisher & Paykel Appliances Ltd

78 Springs Road, East Tamaki

PO Box 58-732, Greenmount

Auckland, New Zealand

Telephone: 09 273 0600

Facsimile: 09 273 0656

CONTENTS

CHASSIS/DOOR ASSEMBLY.....	6
CONTROLS/ELEMENTS & ACCESSORIES.....	8

GUIDE TO USING THIS MANUAL

The model covered by this manual is listed on the front cover.

The information detailed in this manual is subject to change without notice. The latest version is indicated by the reprint date and replaces any earlier editions.

The front cover picture shows the type of product and may not necessarily be an exact image of the model covered by the manual.

Kit Parts

The components shown in *italics with a part number* are those parts in the kit which are available also as separate items. In addition, some parts may be supplied with this kit which are not available as separate items and are therefore either not listed or a part number is not shown against the part description in this manual.

Parts List Key

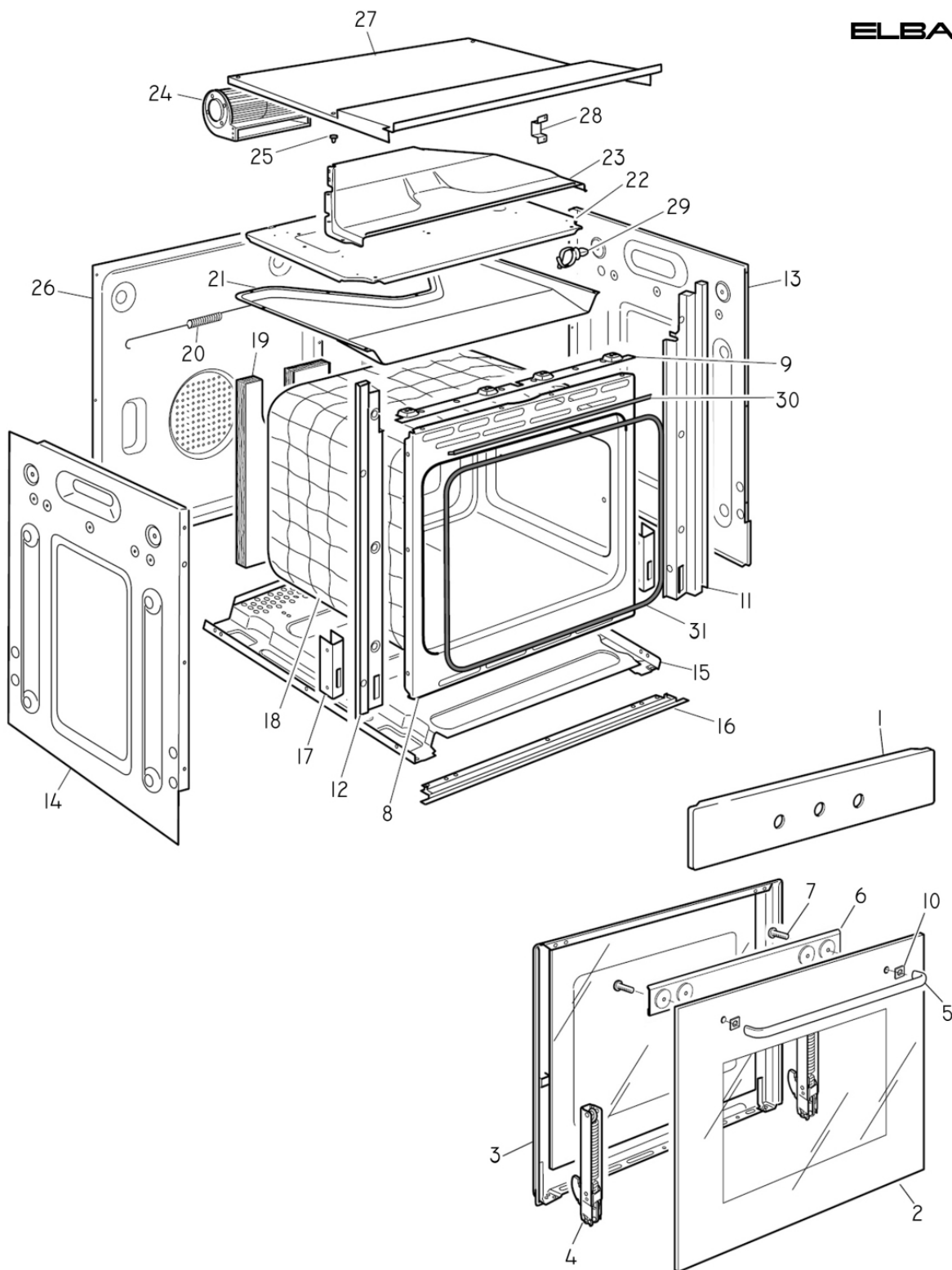
NOT USED	As a part, indicates the diagram part reference is not used in this manual.
<i>italics</i>	Kit components or parts included are shown in <i>italics</i> , refer to above notes: Kit Parts
NI	As a part reference, indicates the part is not illustrated on the diagram.

Abbreviations

ELB = Elba
 SS = Brushed stainless steel
 NZ = New Zealand

CHASSIS/DOOR ASSEMBLY

ELBA



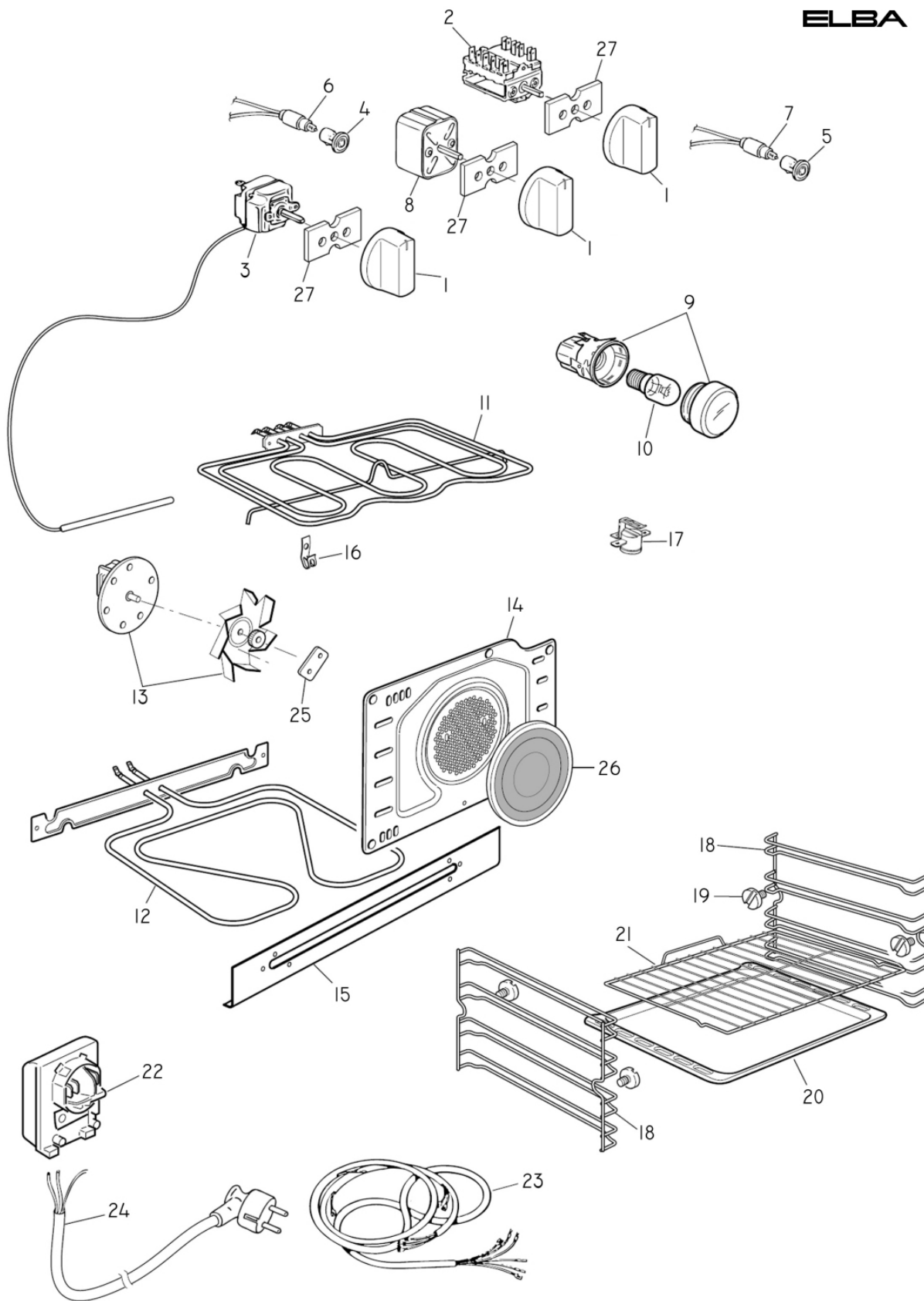
DWG001211 5 SEPTEMBER 2007

CHASSIS/DOOR ASSEMBLY

REF	PART	DESCRIPTION
1	574525P	PANEL CONTROL (SP)
2	574526P	DOOR OUTER ASSY (SP)
3	574527P	PANEL/GLASS INNER DOOR (SP)
4	574528	HINGE DOOR
5	574529	HANDLE DOOR
6	574306	BRACKET DOOR TOP PYRO
7	574530P	SCREW HANDLE (PKT 2)
8	574531P	FRAME OVEN (SP)
9	574116	TRIM DEFLECTOR SS
10	574532P	GROMMET HANDLE (PKT 2)
11	574182	TRIM OVEN FRONT RH BK
12	574183	TRIM OVEN FRONT LH BK
13	574086	PANEL SIDE RIGHT
14	574087	PANEL SIDE LEFT
15	574078	PANEL BASE
16	574083	TRIM FRAME LOWER BK
17	574149	BRACKET HINGE SUPPORT
18	574533	INSUL OVEN WRAP
19	574534	INSUL OVEN REAR
20	574169	SPRING REAR INSUL SUPPORT
21	574081	PANEL VENTING LOWER
22	574080	PANEL VENTING MIDDLE
23	574079	PANEL VENTING UPPER
24	574202P	FAN COOLING (E) (SP)
25	574145P	GROMMET RUBBER (PKT 12)
26	574092	PANEL REAR
27	574215	PANEL TOP
28	574258	BRACKET LIMITER MOUNTING
29	574148P	CLIP CABLE STANDOFF (PKT 2)
30	574063	GASKET FRAME
31	574062	GASKET OVEN 53LT

CONTROLS/ELEMENTS & ACCESSORIES

ELBA



CONTROLS/ELEMENTS & ACCESSORIES

REF	PART	DESCRIPTION
1	574535	KNOB CONTROL
2	574211	SWITCH FUNCTION
3	574440	THERMOSTAT EGO EU
4	574207	BEZEL NEON RED
5	574537	BEZEL NEON ORANGE
6	574389	NEON L.230/240V EM
7	574390	NEON L600/230 240V
8	574538	SWITCH TIMER
9	574539P	LAMP ASSEMBLY (SP)
10	574402	LAMP FLOODLIGHT 230V EU
11	574481	ELEMENT TOP & GRILL OB60
12	574158	ELEMENT BAKE ASSY OB60 CLASS B
13	574205P	FAN KITSET OVEN OB60 (E) (SP)
14	574540	SHROUD FAN
15	574073	BRACKET ELEMENT LOWER
16	574341	CLIP THERMOSTAT TUBE
17	574340	LIMITER 175C CAMPINI
18	574399	RACK SIDE EU
19	574141P	SCREW SIDE WIRE RACK (PKT 4)
20	574541P	TRAY BAKING (SP)
21	574250	RACK BAKE OB60
22	533061	TERMINAL BLOCK CE302
23	574542	WIRING LOOM
24	574184	FLEX MAINS
25	574204	COVER OVEN REAR CUTOUT
26	574100	FILTER FAT
27	574210	SPACER PLASTIC 7MM
NI	574543	BOOK USER/INSTAL 60 EX