

PARTS MANUAL

Built In Oven

OB60SC5CRX1 EL AA

Product Code
85344-A

AA

ELBA

BY FISHER & PAYKEL

CONTENTS

Introduction	2
Control panel components	3
Chassis components	5
Door components	9
Elements & accessories	11

INTRODUCTION

BRAND	VOLTAGE	MODEL	PRODUCT CODE
ELBA by Fisher & Paykel	220-240VAC 50Hz	OB60SC5CRX1 EL AA	85344-A

MODELS

- The model covered by this manual is listed on the front cover.
- The information detailed in this manual is subject to change without notice. The latest version is indicated by the reprint date and replaces any earlier editions.

KIT PARTS

Where a part number is shown against the descriptions for kit components, they are also available as separate items. In addition, some parts may be supplied with these kits that are not available as separate items, and are therefore either not listed, or a part number is not shown against the part description in this manual.

PARTS LIST KEY

NI	As a part reference, indicates the part is not illustrated on the diagram.
NOT USED	As a part number, indicates the diagram part reference is not used in this manual.
NS	As a part number, indicates the part is not servicable.

NZ

Fisher & Paykel Appliances Ltd
PO Box 58-546,
Botany
78 Springs Rd,
East Tamaki
Manukau 2163
New Zealand

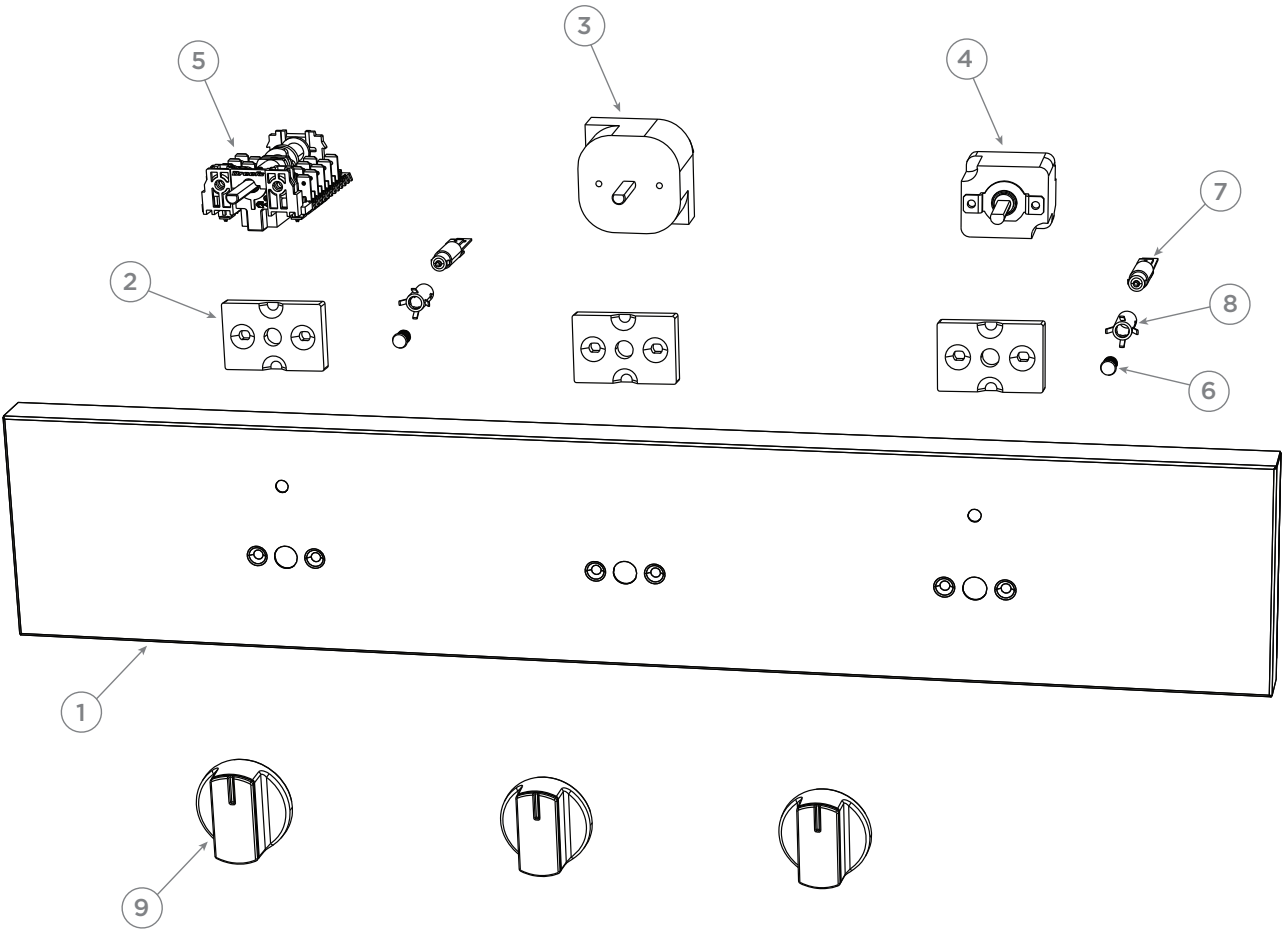
tel: (09) 2730660
fax: (09) 2730580
email: customer.care@fp.co.nz

AU

Fisher & Paykel Customer Services Pty Ltd
PO Box 798, Cleveland,
QLD 4163
A.C.N. 003 3335 171
19 Enterprise Street Cleveland,
QLD 4163
Australia

tel: (07) 3826 9100
fax: (07) 3826 9164
email: customer.care@fp.com.au

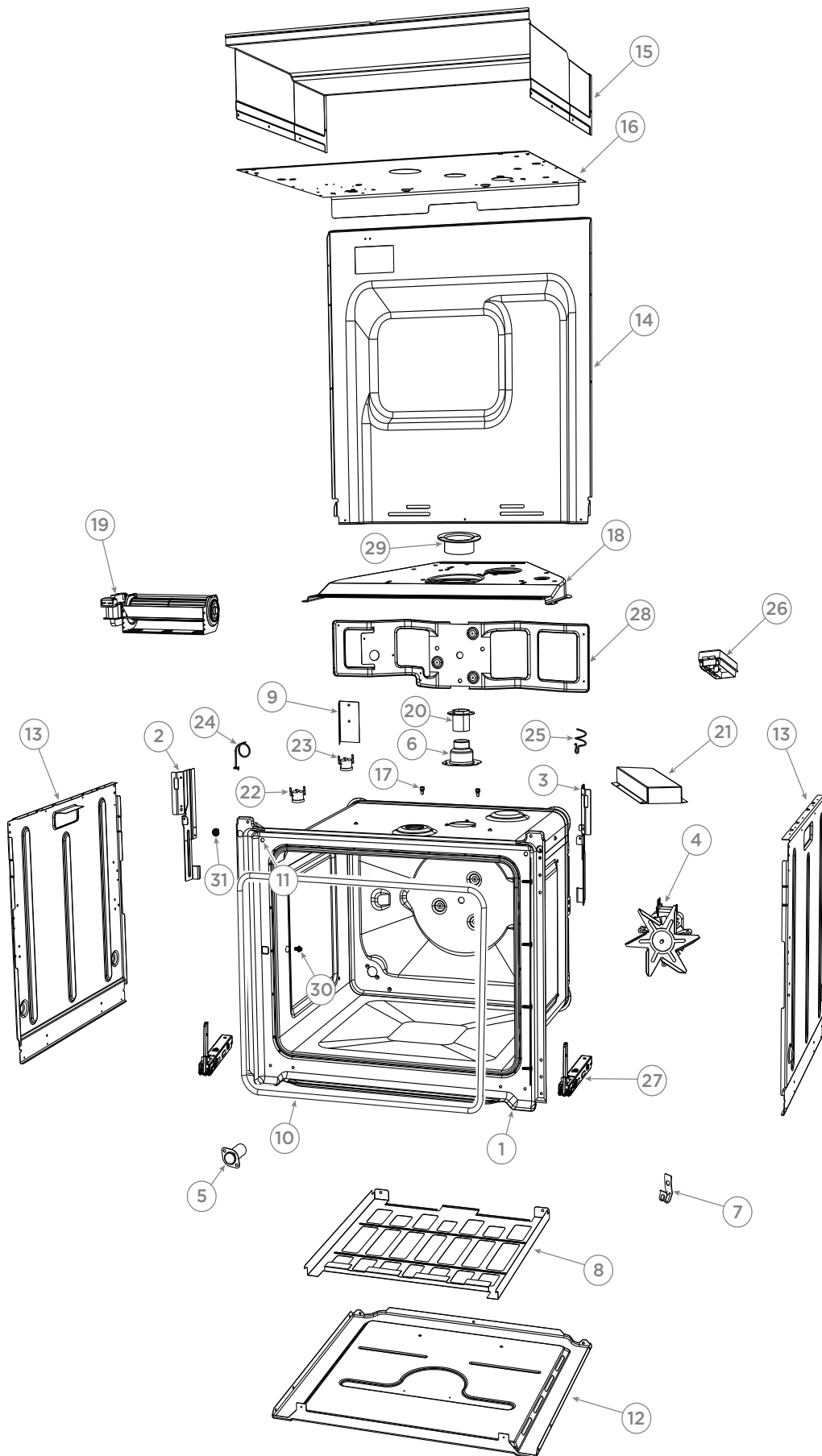
CONTROL PANEL COMPONENTS



CONTROL PANEL COMPONENTS

REFERENCE	PART NUMBER	PART DESCRIPTION
1	562995	CTRL PNL OB60SC5CRX1 LZD EL SP
	Includes	PANEL CTRL OB60SC5CRX1 LZD
2	574210	SPACER PLASTIC 7MM
3	574538	SWITCH TIMER
NI	556638P	SCREW MC M4X10 CSK PH ZP (10PK)
4	574440	THERMOSTAT EGO 55.17059.240
NI	556638P	SCREW MC M4X10 CSK PH ZP (10PK)
5	562061	SWITCH EVEREL 6POS 6
NI	556643P	SCREW MC M4X12 CSK PH ZP (10PK)
6	562422	LENS DIA7 RED NEON OB60C
7	562421	NEON F-7 DIA.9 OB60C 230V T150
8	562423	NEON ADAPTER DIA6 -DIA9 OB60C
9	544624	KNOB ELBA 12

CHASSIS COMPONENTS



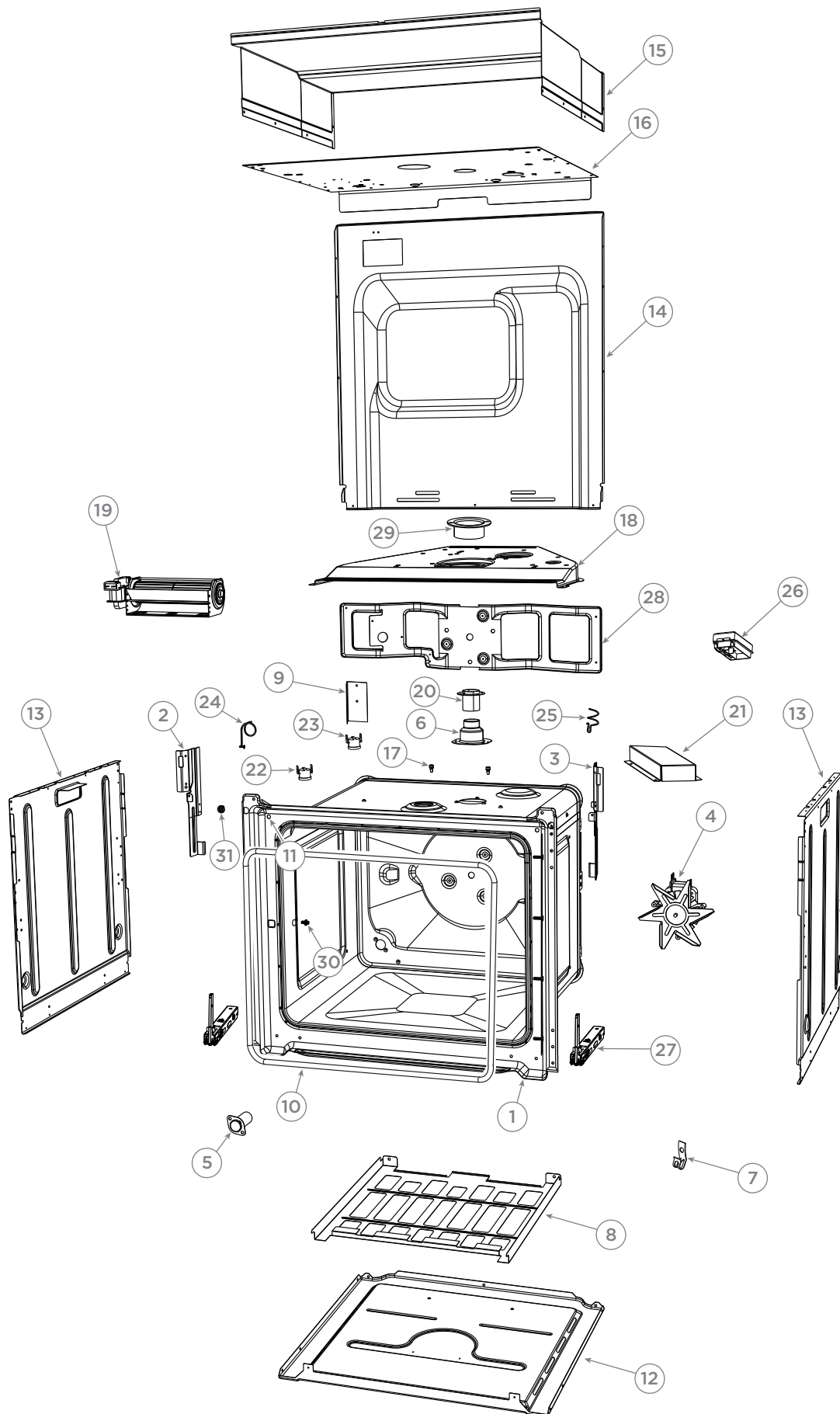
DWG 003780

CHASSIS COMPONENTS

REFERENCE	PART NUMBER	PART DESCRIPTION
1	NS	CAVITY & FRAME ASSY
2	562304	BRACKET MOUNT CP LH
3	561521	BRACKET MOUNT CP RH
NI	556620P	SCREW ST 8X10 TAB MTS BK PKT10
NI	556504P	WASHER 4.0 10.0 0.8 F/BK PKT10
4	551143	FAN CAVITY MID/LOW
NI	550925P	SCREW M4 X 25 TC (10PK)
5	550657	VENT OVEN INLET ASSY
NI	562839P	SCREW SD 3.9X13 PAN PN NP PK10
6	550671	HOUSING CAT UNIVERSAL
NI	562839P	SCREW SD 3.9X13 PAN PN NP PK10
7	574214	CLIP THERMST TUBE HINGED ELMNT
NI	562839P	SCREW SD 3.9X13 PAN PN NP PK10
8	561934	TRAY ELEMENT LOW SH
NI	562839P	SCREW SD 3.9X13 PAN PN NP PK10
9	562377	BRACKET LIMITER RUNON
NI	562839P	SCREW SD 3.9X13 PAN PN NP PK10
NI	561700	INSUL WRAP MULTI TOP LIGHT
NI	561975	INSULATION BACK MULTI
10	561640	GASKET RUBBER ASSY OB60C
11	212359P	RUBBER BUMPER (4PK)
12	561321	PANEL BASE
NI	556620P	SCREW ST 8X10 TAB MTS BK PKT10
13	561322	PANEL SIDE
NI	556009P	SCREW ST 8X3/8 TAB MSH PHPKT10
14	561969	PANEL BACK ELECTRIC
NI	556009P	SCREW ST 8X3/8 TAB MSH PHPKT10
15	561325	PANEL TOP
NI	556009P	SCREW ST 8X3/8 TAB MSH PHPKT10
16	561987	RETAINER TOP MECH C
NI	556009P	SCREW ST 8X3/8 TAB MSH PHPKT10
17	574597	GROMMET TRIM FRONT
18	561675	OUTLET DUCT M
NI	556009P	SCREW ST 8X3/8 TAB MSH PHPKT10
19	561992	FAN COOLING MULTI
NI	562839P	SCREW SD 3.9X13 PAN PN NP PK10

Continued on next page

CHASSIS COMPONENTS

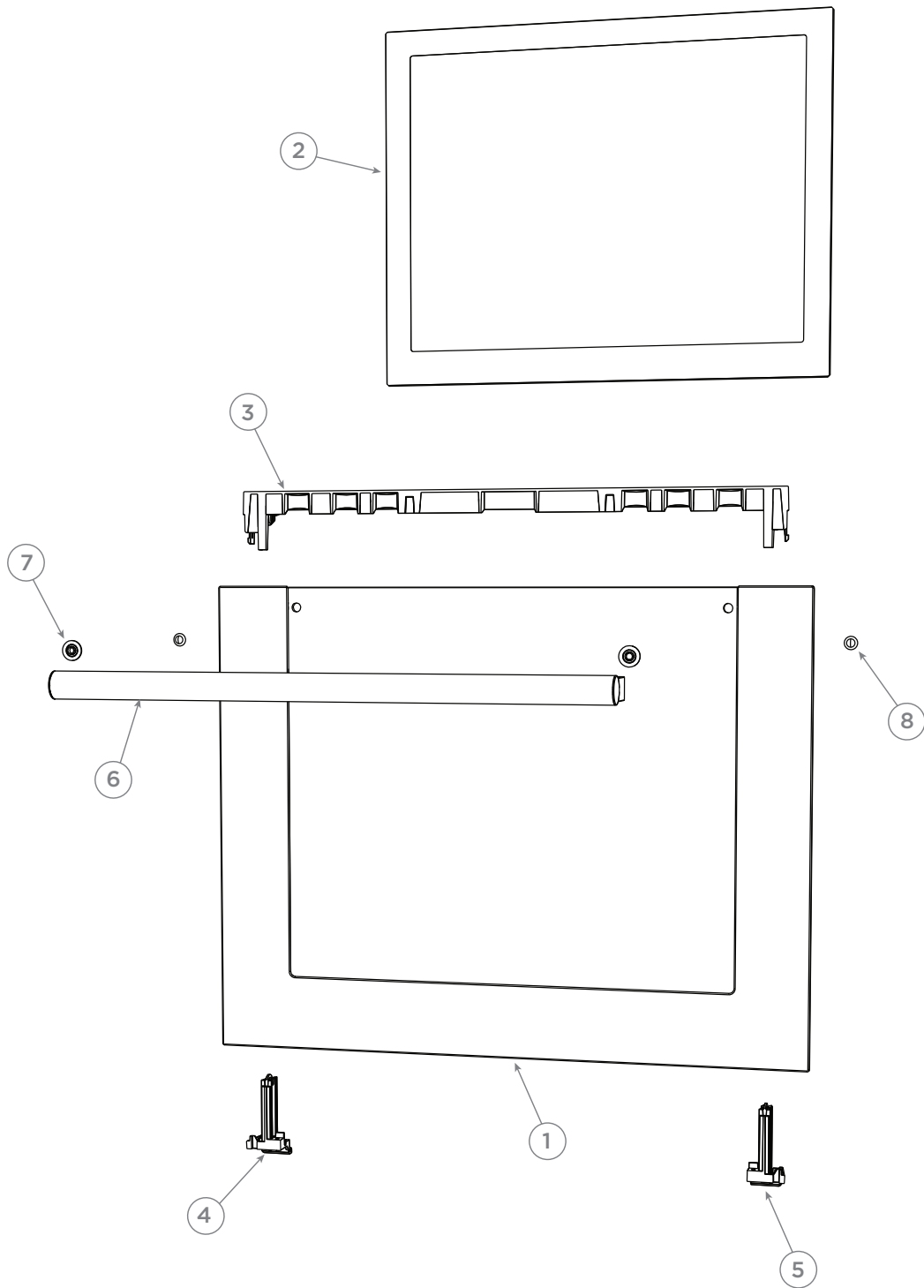


DWG 003780

CHASSIS COMPONENTS

REFERENCE	PART NUMBER	PART DESCRIPTION
20	561291	TUBE VENT CAVITY OUTLET
NI	556009P	SCREW ST 8X3/8 TAB MSH PHPKT10
21	561534	DUCT CAV VENT OUTLET
NI	556009P	SCREW ST 8X3/8 TAB MSH PHPKT10
22	562843	LIMITER SR 110 NC
NI	562839P	SCREW SD 3.9X13 PAN PN NP PK10
23	562863	LIMITER 65 PPS
NI	562839P	SCREW SD 3.9X13 PAN PN NP PK10
24	545874	WIRE STANDOFF COIL
NI	556009P	SCREW ST 8X3/8 TAB MSH PHPKT10
25	551022	PIGTAIL SHORT
NI	556009P	SCREW ST 8X3/8 TAB MSH PHPKT10
26	551041	TERMINAL BLOCK 3 POLE 40A
27	561550	HINGE K19 2P FG OB60C FP
NI	556640P	SCREW MC M4X6.5 PAN/W PN PKT10
28	561608	RETAINER CAVITY
NI	556009P	SCREW ST 8X3/8 TAB MSH PHPKT10
29	562172	COVER LIGHT
NI	562231	HARNESS 60CSTD MECHFBLMC345
30	562521	STUD KIT OB60C
	Includes	STUD CAVITY 60C TALL X 2
	Includes	WASHER LOCK M5 EXT SP ZP X 2
	Includes	WASHER FLAT M5 ZNPL X 2
	Includes	NUT M5 HEX MS ZP X 2
31	561884	BUSH INSTALLATION

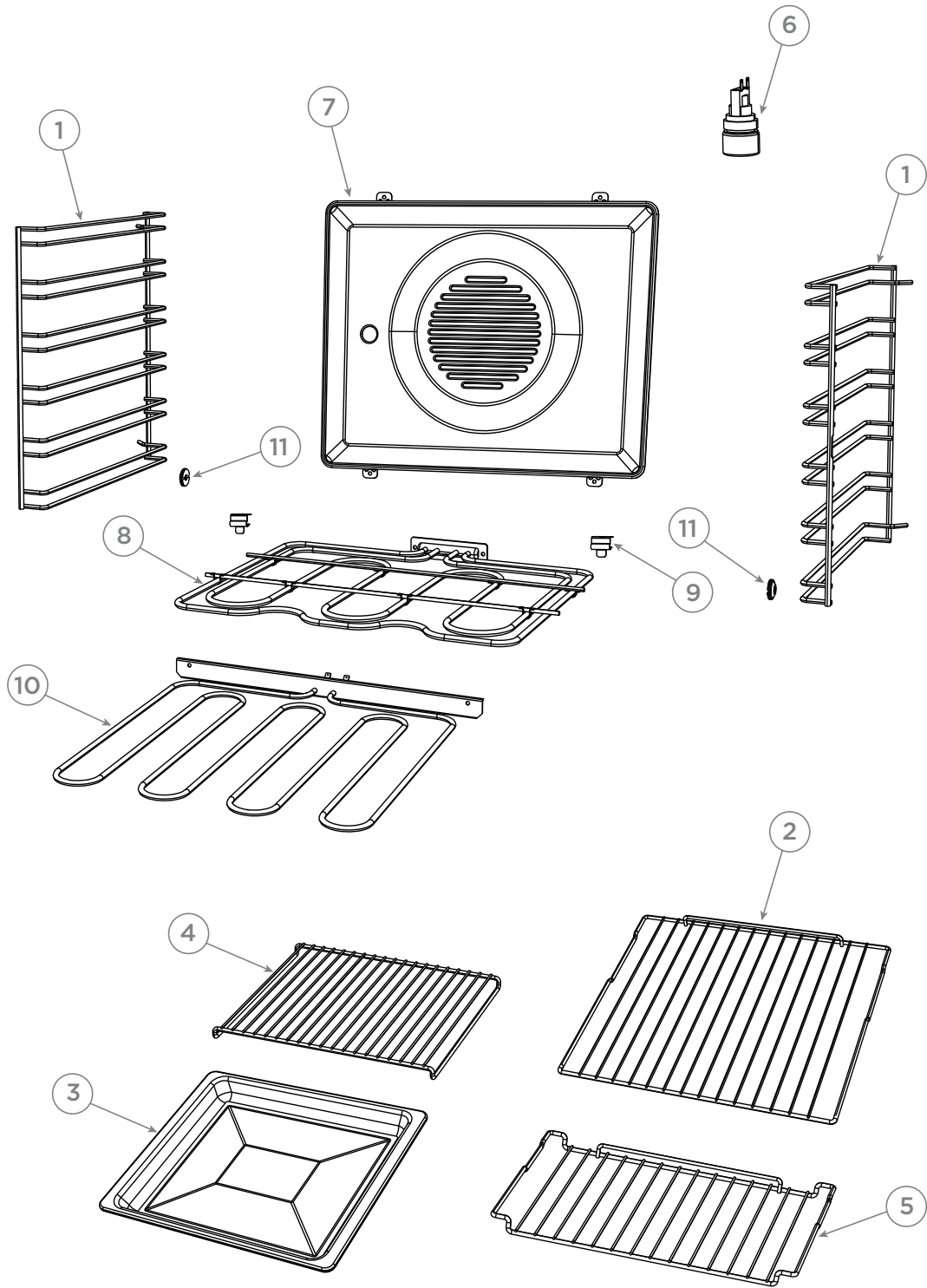
DOOR COMPONENTS



DOOR COMPONENTS

REFERENCE	PART NUMBER	PART DESCRIPTION
1	562990	DR GLASS CAP BKT ASSY SS EL SP
	Includes	GLASS OUTER DOOR OB60SC7CEX1
	Includes	CAP DOOR OB60SC7CEX1 LZD
	Includes	BRACKET DOOR LH OB60C
	Includes	BRACKET DOOR RH OB60C
2	562125P	GLASS DOOR INNER CS
3	561979	LOURVE DOOR TOP OB60C
NI	546692P	SCREW ST 8X12MM TAB MTS PKT10
4	561103	CORNER DOOR LWR LH OB60C
5	561104	CORNER DOOR LWR RH OB60C
6	562394	HANDLE ELBA 432 PITCH
7	574840	WASHER MTG HANDLE OB90
8	212359P	RUBBER BUMPER (4PK)
NI	544622P	SCREW HANDLE (PKT2)

ELEMENTS & ACCESSORIES



ELEMENTS & ACCESSORIES

REFERENCE	PART NUMBER	PART DESCRIPTION
1	562383	SIDERACK ASSY SGL OB60C S
2	561147	SHELF FLAT
3	562359	DISH DEEP OB60C COATED
4	561580	RACK GRILL
5	561609	SHELF DROPDOWN
6	561920	LIGHT TOP 230V 25W IND
NI	562028	BULB LIGHT E14 25W 230V
7	562855	SHROUD FAN OEM ENAMEL PYRO
NI	562839P	SCREW SD 3.9X13 PAN PN NP PK10
8	561281	ELEMENT GRILL DROP DOWN
9	562869	CLIP ELEMENT SH
NI	562839P	SCREW SD 3.9X13 PAN PN NP PK10
10	561914	ELEMENT BAKE
11	562571	NUT CAVITY OB60C HB AT
NI	590935	BKSET OB60S EL AA
	Includes	BK USR OB60S EL AA
	Includes	SHEET SERVICE & WARR'TY EL AA
NI	562192	KIT SCREWS INSTALL (2PK)
NI	590913	BK INSTAL OB60S EL AA

www.fisherpaykel.com

Copyright © Fisher & Paykel Appliances Ltd 2015. All rights reserved.
The product specifications in this manual apply to the specific model described at the date of issue. Under our policy of continuous product improvement, these specifications may change at any time. Only use this manual if the product code on the front matches the product code on the serial label of the product.

AA

PRODUCT CODE: 85344-A 09.15