

FISHER & PAYKEL

GAS COOKTOP

CG903DNGGB1 FP AA

PRODUCT CODE: 81427-A

PARTS MANUAL

AA

CONTENTS

Introduction	2
Hob top components	3
Basepan and gas components	5

INTRODUCTION

BRAND	VOLTAGE	MODEL	PRODUCT CODE
Fisher & Paykel	220-240V 50Hz	CG903DNGGB1 FP AA	81427-A

MODELS

The models covered by this manual are listed on the front cover. The information detailed in this manual is subject to change without notice. The latest version is indicated by the reprint date and replaces any earlier editions.

KIT PARTS

Where a part number is shown against the descriptions for kit components, they are also available as separate items. In addition, some parts may be supplied with these kits that are not available as separate items, and are therefore either not listed, or a part number is not shown against the part description in this manual.

PARTS LIST KEY

NI	As a part reference, indicates the part is not illustrated on the diagram.
NOT USED	As a part number, indicates the diagram part reference is not used in this manual.
NS	As a part number, indicates the part is not servicable.

NZ

Fisher & Paykel Appliances Ltd
PO Box 58-546, Greenmount
78 Springs Rd,
East Tamaki
New Zealand

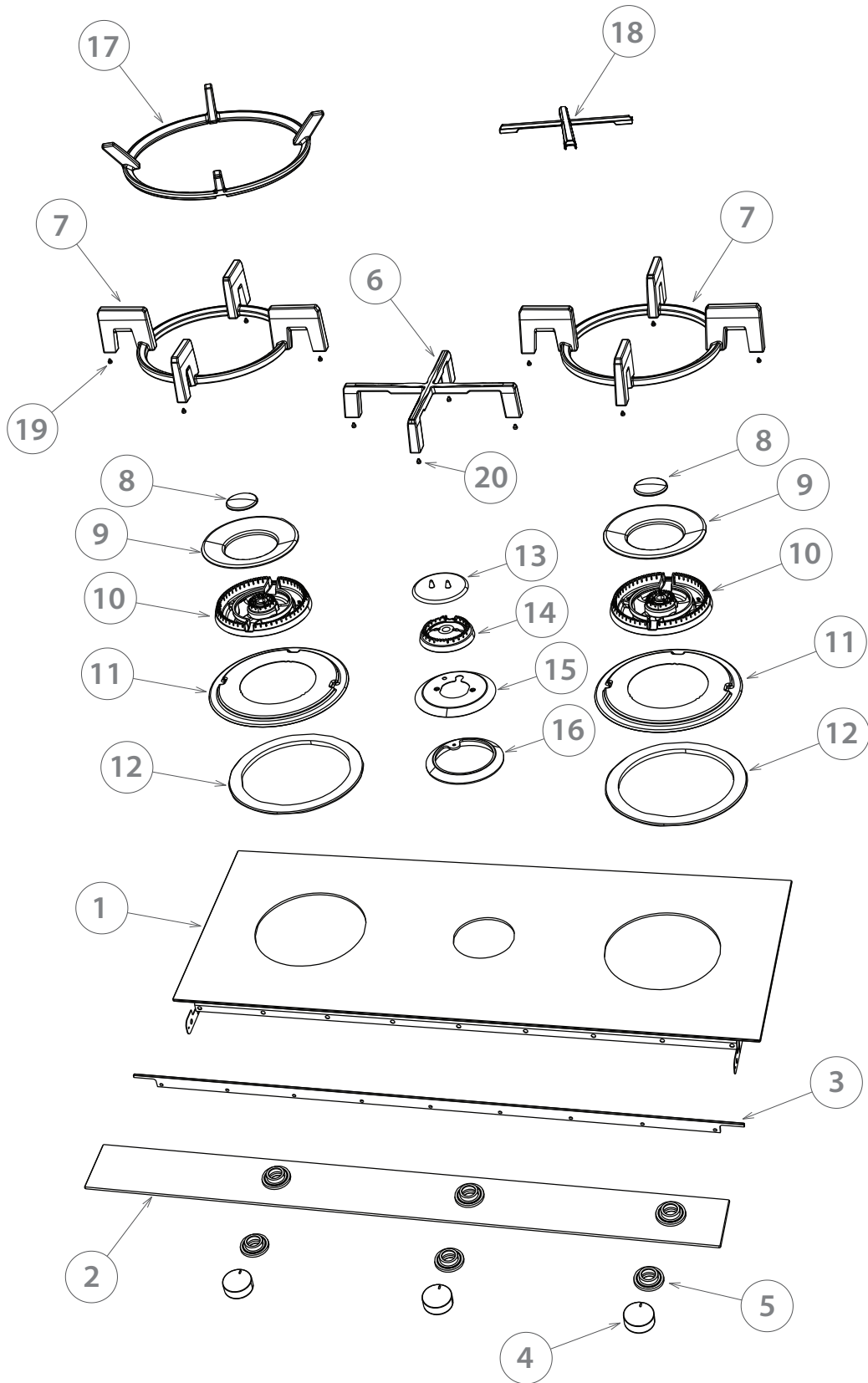
tel: (09) 2730660
fax: (09) 2730580
email: customer.care@fp.co.nz

AU

Fisher & Paykel Customer Services Pty Ltd
PO Box 798, Cleveland, QLD 4163
A.C.N. 003 3335 171
19 Enterprise Street Cleveland, QLD 4163
Australia

tel: (07) 3826 9100
fax: (07) 3826 9164
email: customer.care@fp.com.au

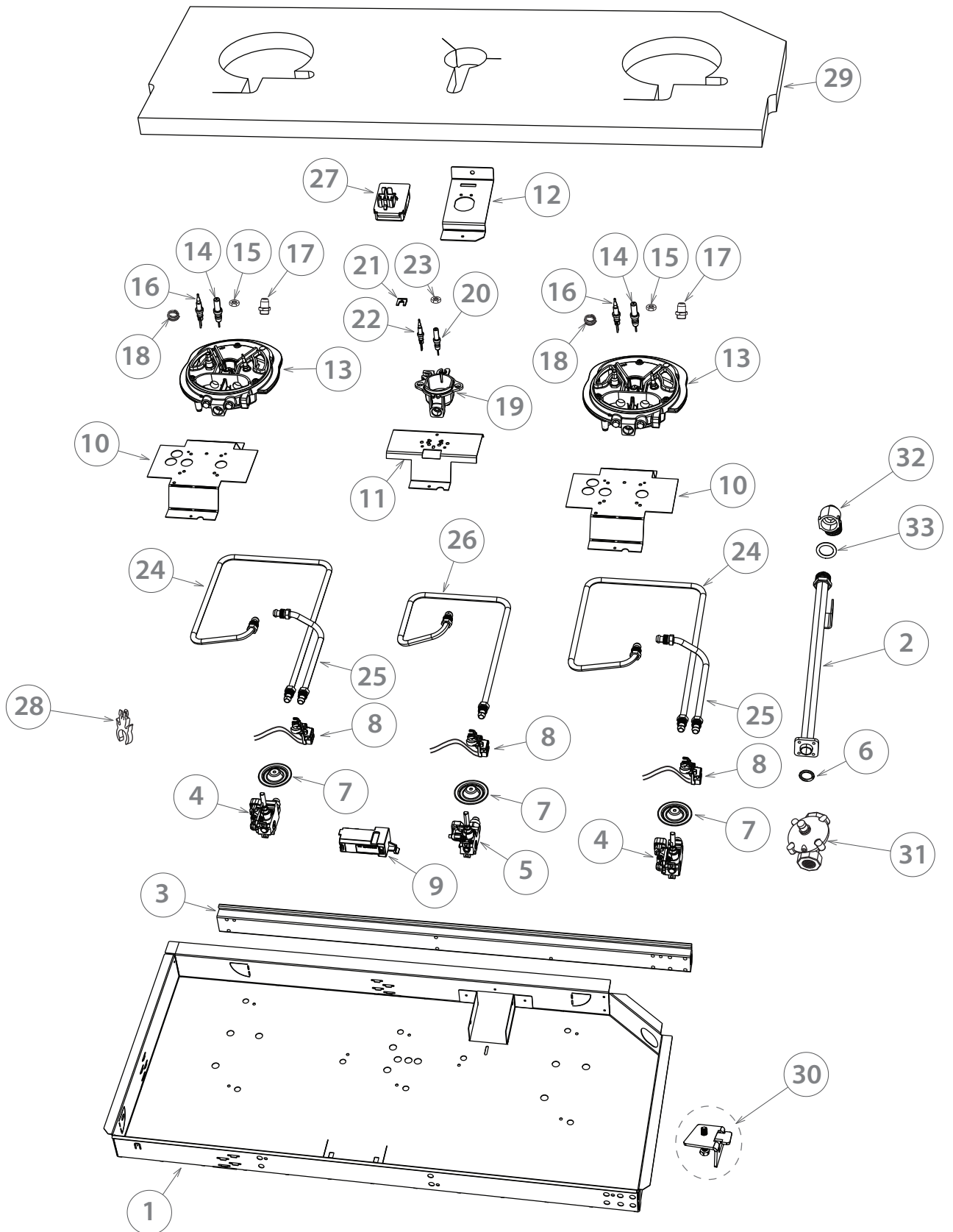
HOBTOP COMPONENTS



HOBTOP COMPONENTS

REFERENCE	PART NUMBER	PART DESCRIPTION
1	534276P	GLASS & MOUNT ASSY 903 GF
	Includes	GLASS CERAMIC BLK 903 GF
	Includes	MOUNT GLASS CERAMIC 903
	Includes	TP FM INSEAL 3109 3X5MMX25M
2	536289P	GLASS REFL ASSY 903 GF LGO SP
	Includes	REFLECTIVE GLASS 903 GF
	Includes	MOUNT GLASS REFLECT 903
	Includes 533797	CONTROL BEZEL ASSY GF X 2
3	533731	METAL STRIP 900 GF
NI	523051P	SCREW M4X12 MUSH TRX SER SS PKT10
NI	534028P	NUT M4 FLANGE SERRATED SS PKT10
4	533796	CONTROL KNOB ASSY GF
5	533797	CONTROL BEZEL ASSY GF
6	533918	TRIVET STANDARD GF ASSEMBLY
	Includes	FOOT RUBBER TRIVET X 4
7	533909	WOK TRIVET ASSY GF
	Includes	FOOT BRASS TRIVET X 4
8	533890	CAP INNER BURNER DUAL WOK
9	533889	CAP OUTER BURNER DUAL WOK
10	533888	SPREADER BURNER DUAL WOK GF
11	533857	SKIRT ENAMEL DUAL WOK GF
12	533916	GASKET DUAL WOK GF
NI	534139P	SCREW MC M4X8 PAN PH SS
NI	211373P	WASHER FLT SS #10 .43 (10PK)
13	533879	BURNER CAP DEFENDI SR
14	533877	SPREADER DEFENDI EVO SR
15	533882	SKIRT ENAMEL SR GF
16	533914	GASKET SR GF
NI	556099P	SCREW MC M3X7 CSK PH SS PKT10
17	533604	WOK SUPPORT DUAL WOK GF
18	533981	SMALL POT SUPP DUAL WOK GF
19	NS	FOOT BRASS TRIVET
20	533908P	KIT FOOT RUBER TRIVET (PKT 4)

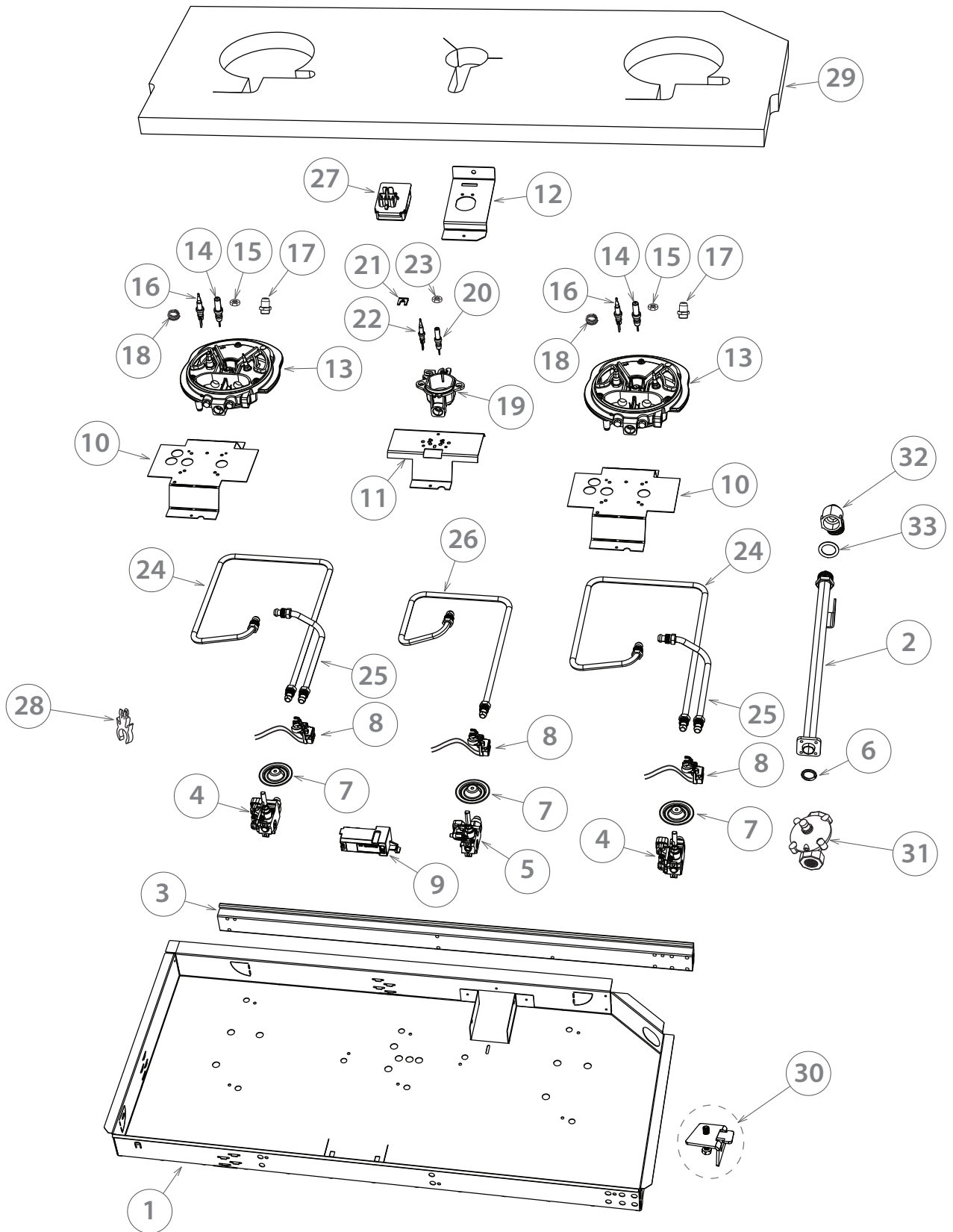
BASEPAN & GAS COMPONENTS



BASEPAN & GAS COMPONENTS

REFERENCE	PART NUMBER	PART DESCRIPTION
1	533678	BASEPAN 903 GF
2	534204	INLET GAS MANIFOLD SHORT GF
3	534200	MANIFOLD EXTRU 903
4	533670	GAS VALVE AL DUAL SABAF
5	533657	GAS VALVE AL SINGLE SABAF
NI	532236P	O RING 14X3 VITON (PKT 2)
6	534027P	SCREW M4X25 BUTTON HEX PKT10
7	534165	SEAL GAS VALVE CT
8	534299	HARNESS VALVE MICROSW GF 903
9	533993	IGNITION BOX ITW B2000 4-WAY LG
10	533809	MOUNT BURNER BOWL WOK GF
11	533808	MOUNT BURNER BOWL GF
12	534043	MOUNT FLEX TERMINAL GF
NI	556009P	SCREW ST 8X3/8 TAB MSH PHPKT10
NI	556003P	SCREW ST 6X3/8 T25 PAN PH PKT10
NI	542805P	SCREW MC M4X20 HEX PH MS NP PKT 10
13	534650	BURNER BOWL DUAL WOK NO JETS
NI	534083	JET DEFENDI NG 130
NI	534079	JET DEFENDI NG 070
14	534383	IGNITER DUAL WOK 500 GF
15	533896	NUT IGNITER
16	533886	THERMOCOUPLE DUAL WOK GF
17	533954	NUT THERMOCOUPLE WOK
18	533897	SPRING IGNITER
NI	556083P	SCREW TAPTITE M3.5X6 PH NP PKT10
19	534647	BURNER BOWL SEMI RAPID NO JETS
NI	534083	JET DEFENDI NG 130
20	533923	IGNITER STANDARD 500 GF
21	533956	CLIP IGNITER
22	533922	THERMOCOUPLE 600 GF
23	533955	NUT THERMOCOUPLE NON WOK M6X0.5
24	534942	TUBE ASSY WOK 903 752 V2
25	534244	TUBE ASSY D WOK OUTER 902 752 GF
26	534943	TUBE ASSY SR 903 V2
27	534905	TRMNL BLOCK-FLEX ASSY HI TEMP NZ AU

BASEPAN & GAS COMPONENTS



BASEPAN & GAS COMPONENTS

REFERENCE	PART NUMBER	PART DESCRIPTION
28	531715P	SUPPORT IGNITER WIRE PKT10
NI	534006	HARNESS IGNITER EARTH
NI	534005	HARNESS IGNITER NEUTRAL
NI	555716	HARNESS EARTH FAN ELE
NI	556009P	SCREW ST 8X3/8 TAB MSH PHPKT10
29	534251	INSULATION GAS FLAT 903 GF
30	534142	KIT BRACKET INSTALL GF
	Includes 534167	BRACKET CLAMPING COOKTOP X 4
	Includes 542805	SCREW 8X1 TAB PAN PH X 4
31	530057	REGULATOR NG 6160595
32	530710	KIT GC ELBOW & WASHER
33	530132P	WASHER BLUE 1/2 GAS SEAL PKT10
NI	590151	BOOK SET GAS ON GLASS FP AA
	Includes	BOOK USR GAS ON GLASS FP AA
	Includes	BOOK SERVICE & WARR'TY
	Includes	BOOK INSTL GAS ON GLASS FP AA
	Includes	CARD REGISTRATION FP AA

FISHERPAYKEL.COM

© Fisher & Paykel Appliances 2017. All rights reserved.

The product specifications in this booklet apply to the specific products and models described at the date of issue. Under our policy of continuous product improvement, these specifications may change at any time. You should therefore check with your Dealer to ensure this booklet correctly describes the product currently available.

AA

PRODUCT CODE: 81427-A 12.17