

*Fisher & Paykel*

DishDrawer®  
DD60SCW7 FP AA

*Product Code: 80897-B*

**Parts Manual**

AA

Brand:	Fisher & Paykel
Voltage:	220-240V, 50H
Model:	DD60SCW7 FP AA
Product Code:	80897-B

### Model

- The model covered by this manual is listed on the front cover.
- The information detailed in this manual is subject to change without notice. The latest version is indicated by the reprint date and replaces any earlier editions.

### Kit Parts

Kit components are shown in *italics*. Where a part number is shown against the descriptions for these kit components, they are also available as separate items. In addition, some parts may be supplied with these kits that are not available as separate items, and are therefore either not listed, or a part number is not shown against the part description in this manual.

### Parts List Key

<i>italics</i>	Kit components or parts included are shown in italics. Refer to above notes: Kit Parts.
NI	As a part reference, indicates the part is not illustrated on the diagram.
NOT USED	As a part number, indicates the diagram part reference is not used in this manual.

FRONT PANELS/CONTROLS	3
CABINET ASSEMBLY	5
LID & LINK ASSEMBLY	9
TUB & COMPONENTS	11
BASKET & RACKS	15
INSTALLATION COMPONENTS	17

Fisher & Paykel Appliances Ltd  
PO Box 58-732, Botany  
78 Springs Rd,  
East Tamaki  
Manukau 2163  
New Zealand

tel: (09) 2730660  
fax: (09) 2730580  
email: [customer.care@fp.co.nz](mailto:customer.care@fp.co.nz)

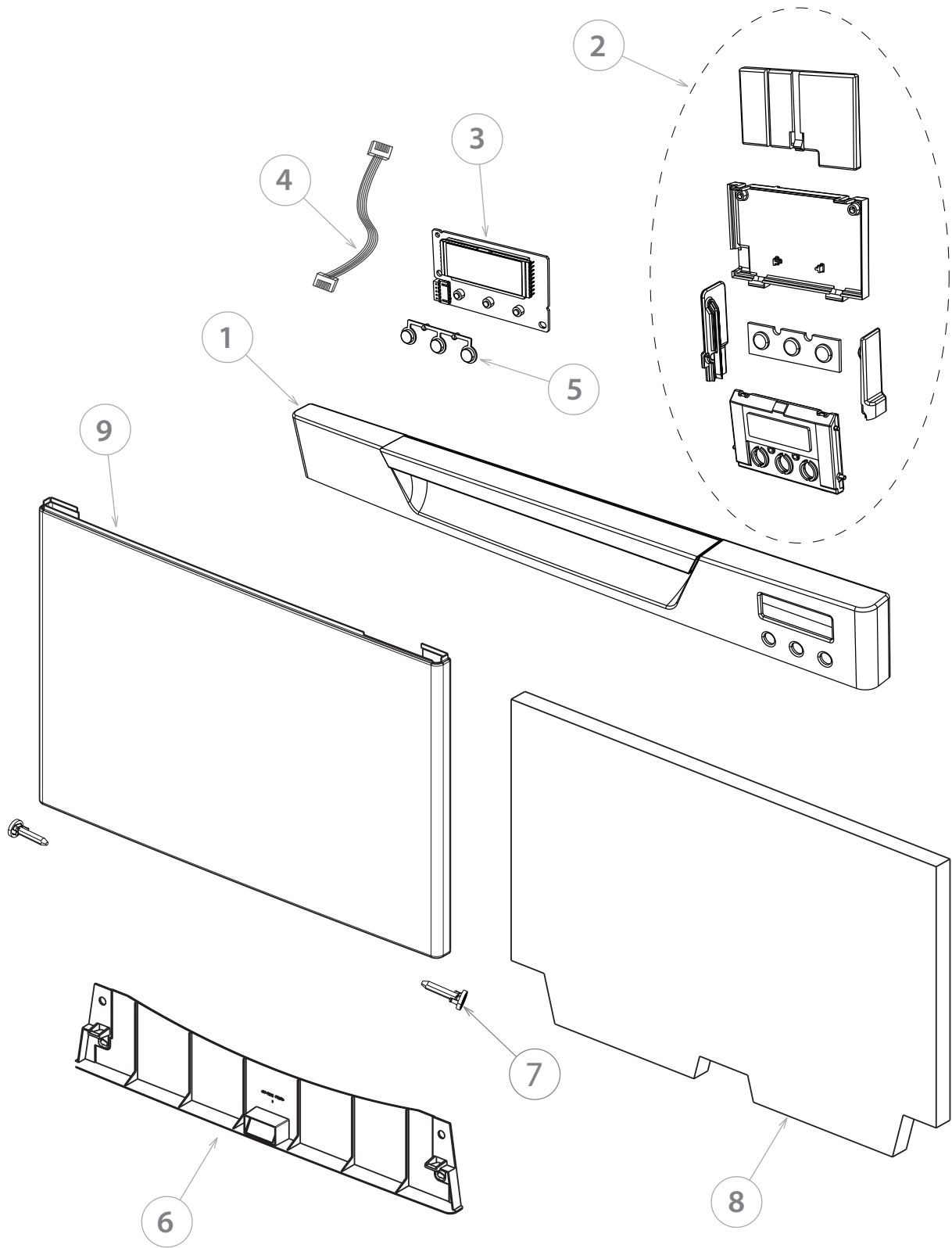
Fisher & Paykel Appliances Ltd  
Singapore  
150 Ubi Avenue 4  
Sunlight building #02-00  
Singapore 408825

tel: 6547 0100  
service tel: 6741 0777  
fax: 6547 0123

Fisher & Paykel Customer Services Pty Ltd  
PO Box 798, Cleveland, QLD 4163  
A.C.N. 003 3335 171  
19 Enterprise Street Cleveland,  
QLD 4163  
Australia

tel: (07) 3826 9100  
fax: (07) 3826 9164  
email: [customer.care@fp.com.au](mailto:customer.care@fp.com.au)

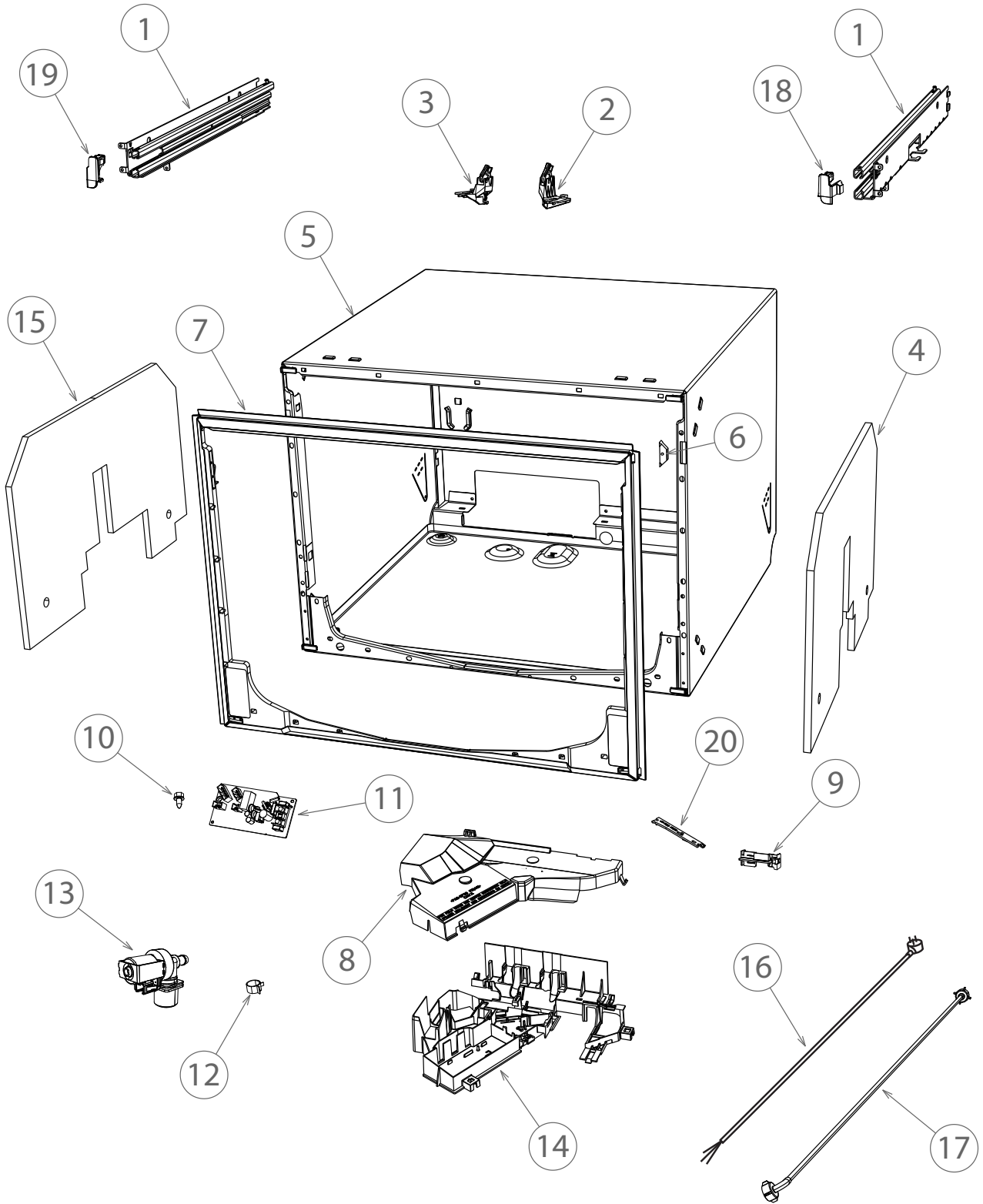
3 FRONT PANELS/CONTROLS



REF.	PART NUMBER	PART DESCRIPTION
<b>1</b>	<b>510696</b>	<b>KIT HANDLE ASSY PH7 V2 WHITE</b>
	<i>Includes</i>	<i>HANDLE SCRBOSS CLSC 607 WHITE</i>
	<i>Includes</i>	<i>HANDLE GRIP SCRBOSS CLSC 608V</i>
	<i>Includes</i>	<i>ANCHOR HANDLE CLASSIC 606</i>
	<i>Includes</i>	<i>COVER GRIP CLSC 608V SS</i>
<b>2</b>	<b>522899</b>	<b>KIT LCD HOUSING DD 606</b>
	<i>Includes</i>	<i>SEAL BUTTONS LCD CLASSIC</i>
	<i>Includes</i>	<i>HOUSING LCD BACK CLASSIC 606</i>
	<i>Includes</i>	<i>GUIDE LCD ASSY CLASSIC LH</i>
	<i>Includes</i>	<i>GUIDE LCD ASSY CLASSIC RH</i>
	<i>Includes</i>	<i>WEDGE HOUSING LCD CLASSIC</i>
	<i>Includes</i>	<i>LENSE LCD CLASSIC 606</i>
<b>3</b>	<b>522452P</b>	<b>MODULE LCD 525CLASSIC BL NROHS</b>
<b>4</b>	<b>529854</b>	<b>HARNESS BADGE ISOLATOR 605</b>
<b>5</b>	<b>522498</b>	<b>BUTTONS LCD CLASSIC WHITE</b>
<b>6</b>	<b>522469P</b>	<b>KIT INSERT DOOR 606 CLSC</b>
<b>7</b>	<b>524781</b>	<b>PIN DOOR MID GREY</b>
<b>8</b>	<b>522616</b>	<b>INSUL DOOR 606 CLSC 820 UPPER</b>
<b>9</b>	<b>522904</b>	<b>KIT DOOR ASSY UPPER WH</b>
	<i>Includes</i>	<i>DOOR UPR 820 CLASSIC WH</i>
	<i>Includes 522469</i>	<i>INSERT DOOR 606 CLASSIC</i>
	<i>Includes</i>	<i>BRACKET INT SHIELD RH ROHS</i>
	<i>Includes</i>	<i>BRACKET INT SHIELD LH ROHS</i>
	<i>Includes 546692</i>	<i>SCREW ST 8X12MM TAB MTS</i>
<b>NI</b>	<b>524177P</b>	<b>DEFLECTOR DRYING DD60 SPARE</b>

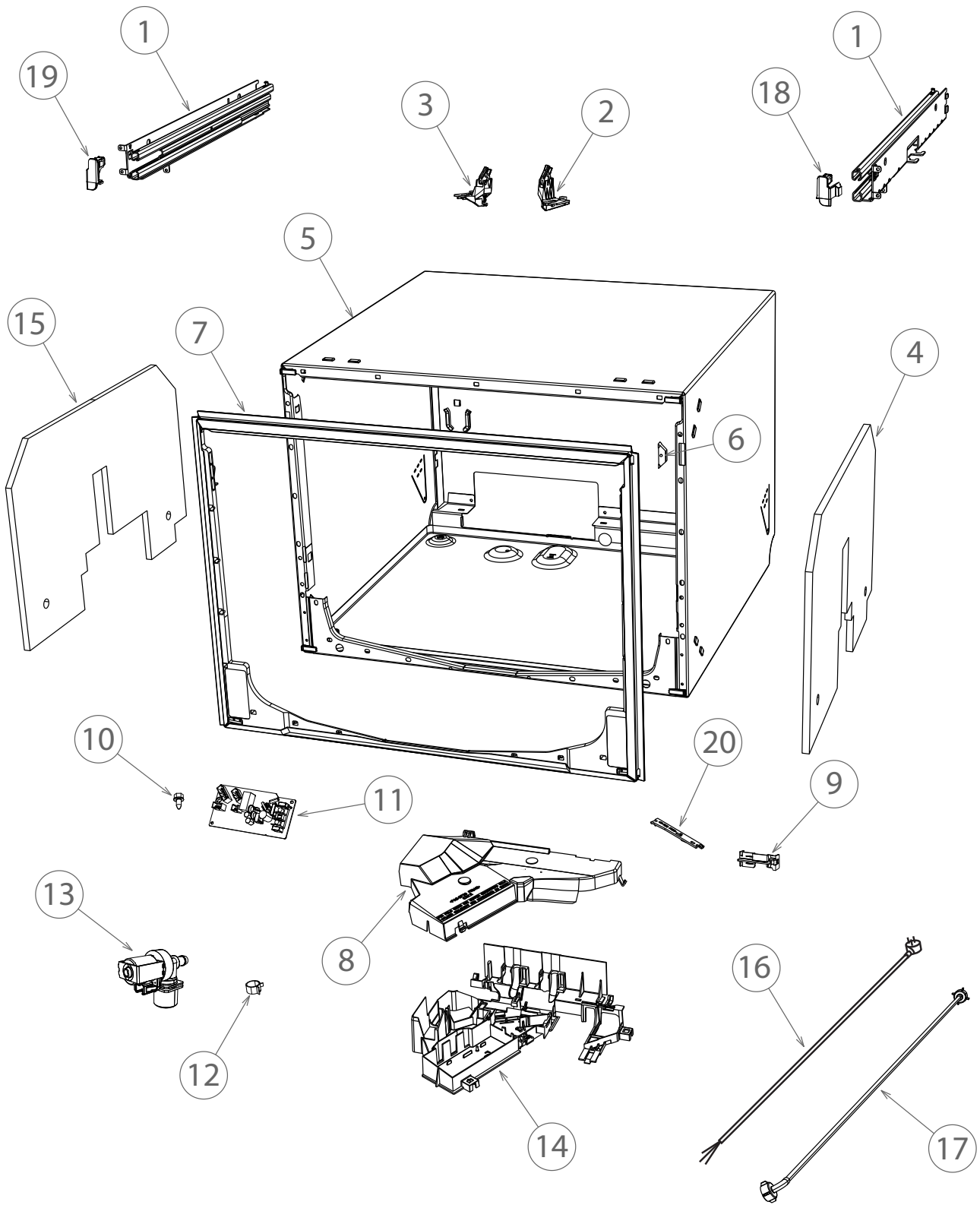


5 CABINET ASSEMBLY



REF.	PART NUMBER	PART DESCRIPTION
<b>1</b>	<b>524116P</b>	<b>KIT BRACKET SLIDE RH &amp; LH ASSY</b>
	<i>Includes</i>	<i>BRACKET SLIDE RH ASSY X 1</i>
	<i>Includes</i>	<i>BRACKET SLIDE LH ASSY X 1</i>
	<i>Includes 556607</i>	<i>SCREW MC M5X10 TAPTITE X 6</i>
	<i>Includes</i>	<i>INSTR SHT SLIDE BRACKET SPARE KIT</i>
<b>NI</b>	<b>556607P</b>	<b>SCREW MC M5X10 TAPTITE (PKT 10)</b>
<b>2</b>	<b>522584</b>	<b>LATCH ASSY RH DD 606</b>
<b>3</b>	<b>522585</b>	<b>LATCH ASSY LH DD 606</b>
<b>4</b>	<b>528821</b>	<b>INSULATION CHASSIS TOP</b>
<b>5</b>	<b>522916</b>	<b>KIT REPLACE CHASSIS DD60S5/6</b>
	<i>Includes</i>	<i>CHASSIS SINGLE ASSY GALV</i>
	<i>Includes</i>	<i>INSTR SHT CHASSIS REPLACE PH3/5/6</i>
	<i>Includes</i>	<i>TAB TOP</i>
	<i>Includes</i>	<i>INSTALL TAB TTA</i>
	<i>Includes</i>	<i>INSTALL TAB TTB</i>
	<i>Includes</i>	<i>TRIM UPPER COMOULD ASSY</i>
	<i>Includes 528277</i>	<i>PRISM TUB HOME 2MM LOW</i>
<b>6</b>	<b>528277</b>	<b>PRISM TUB HOME 2MM LOW</b>
<b>7</b>	<b>528455P</b>	<b>KIT TRIM UPPER COMOULD ASSY</b>
	<i>Includes</i>	<i>TRIM SEAL UPPER COMOULD ASSY</i>
	<i>Includes 523277</i>	<i>PRISM TUB HOME 2MM LOW</i>
<b>8</b>	<b>527732</b>	<b>COVER MAINS FILTER</b>
<b>9</b>	<b>526250</b>	<b>RETAINER LINK</b>
<b>10</b>	<b>556082P</b>	<b>SCREW ST M4X12 XTITE HXW (PKT 10)</b>
<b>11</b>	<b>523249P</b>	<b>MOD CHAS 525 P5-1 SGL 230V</b>
<b>12</b>	<b>525466</b>	<b>CLAMP HOSE HERBIE TYPE E</b>
<b>13</b>	<b>529827</b>	<b>VALVE INLET SINGLE 605</b>
<b>14</b>	<b>522143</b>	<b>KIT HOUSING MAINS FILTER ASSY 605</b>
	<i>Includes</i>	<i>HOUSING MAINS FILTER 605</i>
	<i>Includes 527727</i>	<i>GROMMET 605 CHASSIS MODULE</i>
	<i>Includes 526250</i>	<i>RETAINER LINK (2)</i>
<b>NI</b>	<b>556607P</b>	<b>SCREW MC M5X10 TAPTITE (PKT 10)</b>
<b>15</b>	<b>528822</b>	<b>INSULATION CHASSIS SINGLE</b>
<b>16</b>	<b>528497</b>	<b>FLEX MAINS 605 NZ</b>
<b>NI</b>	<b>532017</b>	<b>TERM STRIP SADDLE NIPL</b>

7 CABINET ASSEMBLY

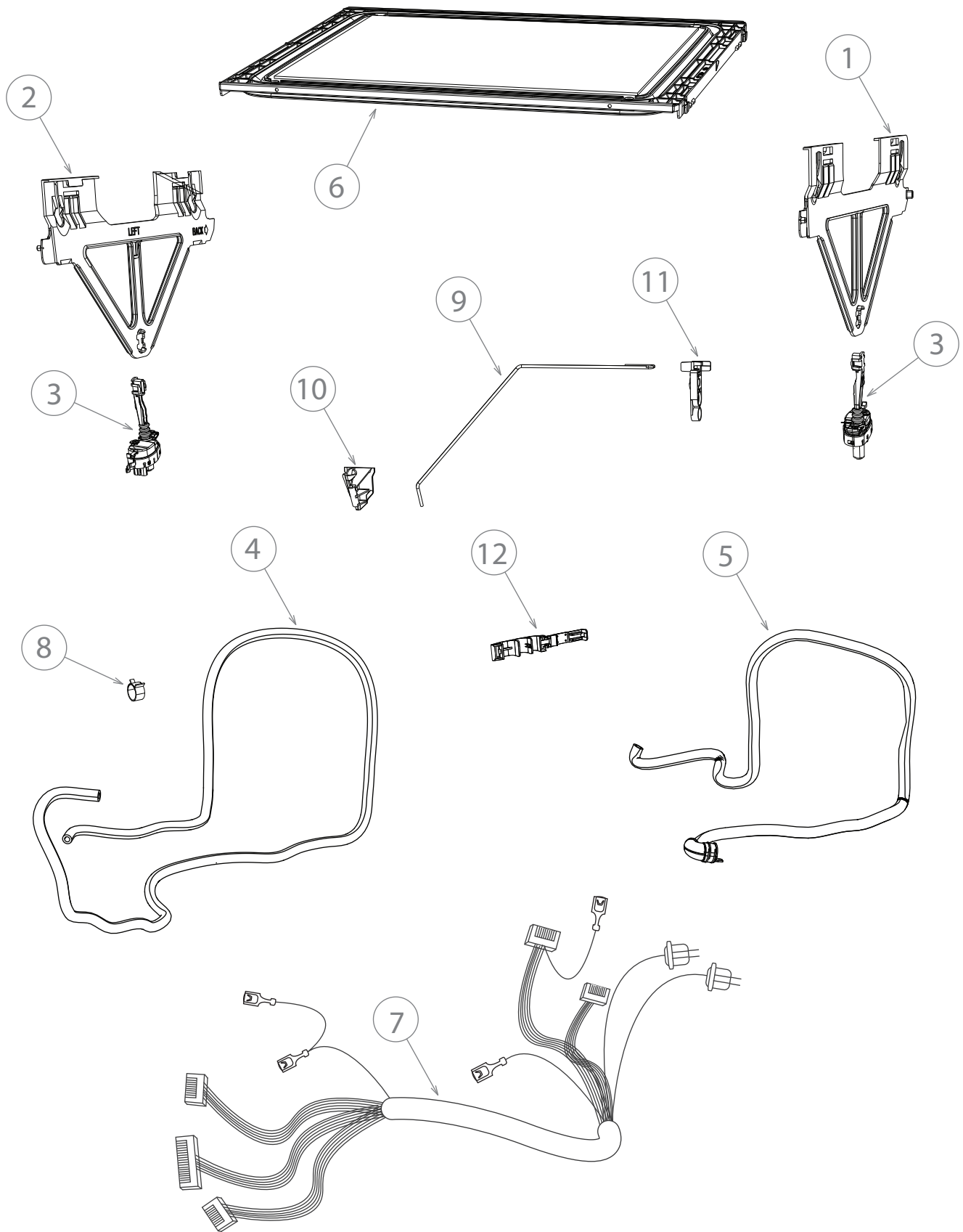




REF.	PART NUMBER	PART DESCRIPTION
<b>NI</b>	<b>556607P</b>	<b>SCREW MC M5X10 TAPTITE (PKT 10)</b>
<b>17</b>	<b>529855</b>	<b>HOSE INLET ASSY NZ</b>
<b>18</b>	<b>524783</b>	<b>CLIP TUB RELEASE RH MID GREY</b>
<b>19</b>	<b>524782</b>	<b>CLIP TUB RELEASE LH MID GREY</b>
<b>20</b>	<b>527727</b>	<b>GROMMET 605 CHASSIS MODULE</b>



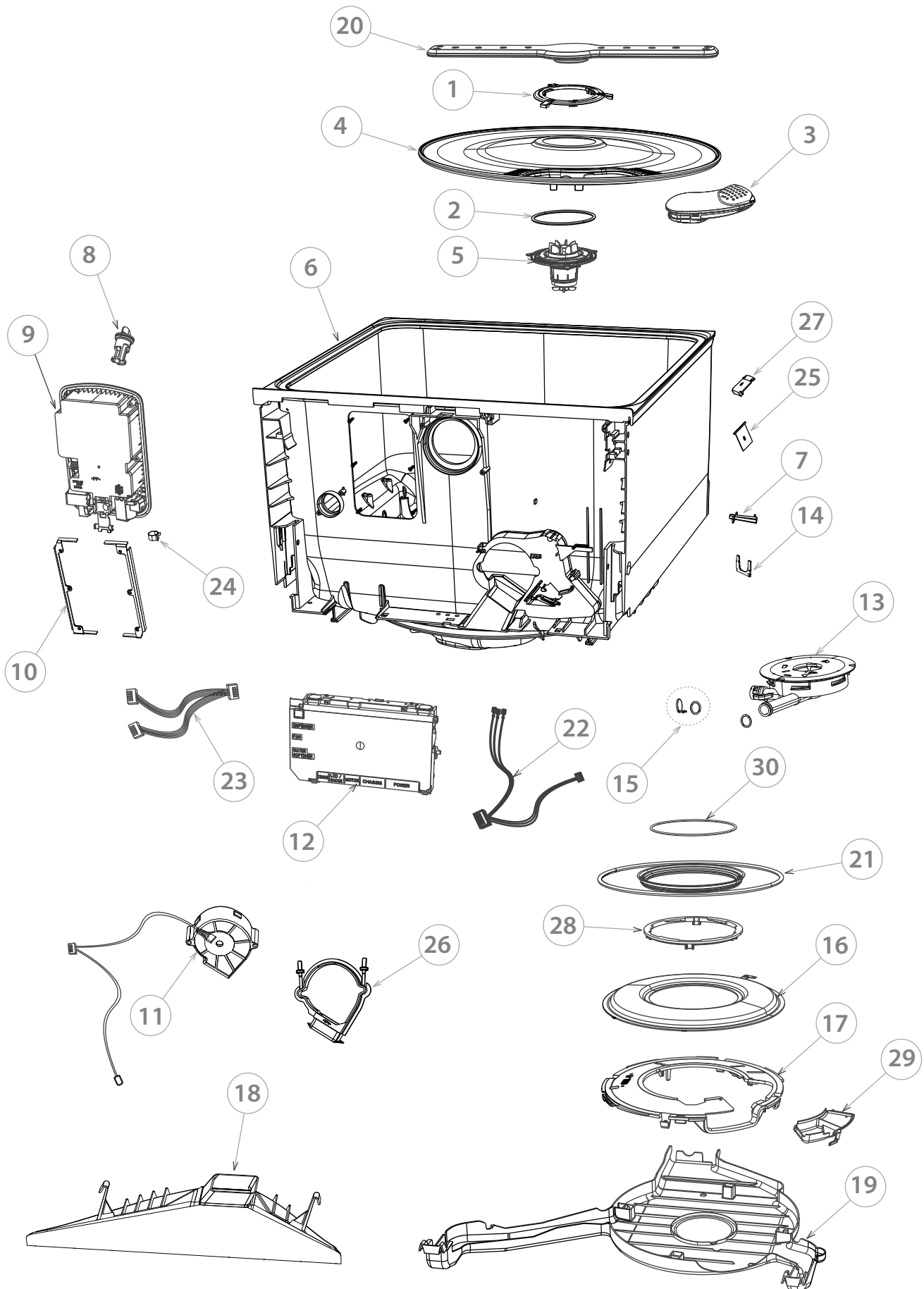
9 LID & LINK ASSEMBLY



REF.	PART NUMBER	PART DESCRIPTION
<b>1</b>	<b>529969</b>	<b>LID YOKE RIGHT</b>
<b>2</b>	<b>529970</b>	<b>LID YOKE LEFT</b>
<b>3</b>	<b>522085</b>	<b>KIT LID ACTUATORS 605 (PKT 2)</b>
<b>4</b>	<b>526837</b>	<b>HOSE FILL LOWER</b>
<b>5</b>	<b>522086</b>	<b>KIT DRAIN HOSE 605</b>
	<i>Includes</i>	<i>O RING CUFF SOCKET UL REC</i>
	<i>Includes</i>	<i>HOSE DRAIN UPPER ASSY 605</i>
	<i>Includes</i>	<i>FLAP VALVE DRAIN 605</i>
<b>NI</b>	<b>525798</b>	<b>KIT DRAIN HOSE EXTENSION 3.6M</b>
	<i>Includes</i>	<i>DRAIN HOSE EXTENSION (2)</i>
	<i>Includes 525482</i>	<i>CLIP WIRE DRAIN (4)</i>
	<i>Includes</i>	<i>DRAIN HOSE JOINER (2)</i>
<b>NI</b>	<b>527394</b>	<b>KIT DRAIN HOSE JOINER</b>
	<i>Includes 525482</i>	<i>CLIP WIRE DRAIN (2)</i>
	<i>Includes</i>	<i>DRAIN HOSE JOINER</i>
<b>6</b>	<b>529964P</b>	<b>LID ASSY PH5</b>
<b>7</b>	<b>522536</b>	<b>HARNESS CHASSIS LOWER DD60</b>
<b>8</b>	<b>528674</b>	<b>CLAMP HOSE TYPE 12232-17-4</b>
<b>9</b>	<b>528095</b>	<b>ROD LINK SUPPORT</b>
<b>10</b>	<b>528101</b>	<b>BRACKET LINK SUPPORT</b>
<b>11</b>	<b>528162</b>	<b>CLIP LINK SUPPORT</b>
<b>12</b>	<b>528537P</b>	<b>CLIP LINK TUB SIDE (PKT 10)</b>



11 TUB & COMPONENTS



REF.	PART NUMBER	PART DESCRIPTION
<b>1</b>	<b>524845</b>	<b>LOCKNUT FPLATE MID GREY</b>
<b>2</b>	<b>523049</b>	<b>O RING 238 SILICONE 40</b>
<b>3</b>	<b>524828</b>	<b>DRAIN FILTER ASSY FPOM 607 V2</b>
<b>4</b>	<b>524888</b>	<b>KIT FILTER PLATE OMOLD 60 MID</b>
	<i>Includes</i>	<i>FILTER PLATE OVERMOULD ASSY</i>
	<i>Includes 524845</i>	<i>LOCK NUT FPLATE MID GREY</i>
<b>5</b>	<b>528136P</b>	<b>MOTOR ROTOR ASSY 605 SP</b>
<b>6</b>	<b>524746P</b>	<b>KIT TUB STD W/A 607 TXT ECO V2</b>
<b>7</b>	<b>528276</b>	<b>LIGHT PIPE TUB HOME 605</b>
<b>8</b>	<b>524837</b>	<b>BUNG ASSY DISPENSER R/AID MID GREY</b>
<b>9</b>	<b>524887</b>	<b>KIT DISPENSER MID GREY</b>
	<i>Includes</i>	<i>DISPENSER DISHDRAWER MID GREY</i>
	<i>Includes 526789</i>	<i>BRACKET DISPENSER SHORT (2)</i>
<b>NI</b>	<b>556155P</b>	<b>SCREW M3.5X14 PANTX K35 (PKT 10)</b>
<b>10</b>	<b>526789</b>	<b>BRACKET DISPENSER SHORT</b>
<b>11</b>	<b>522006</b>	<b>HARNESS &amp; FAN ASSY</b>
<b>12</b>	<b>523727NAP</b>	<b>MOD CTRL 525 P7 DD60 230V</b>
<b>NI</b>	<b>529041</b>	<b>PANEL CONTROLLER 605</b>
<b>13</b>	<b>522088</b>	<b>KIT MOTOR ASSY 605</b>
	<i>Includes</i>	<i>MOTOR ASSY COMP PH5</i>
	<i>Includes 525058</i>	<i>SEAL HEATER PLATE/TUB</i>
	<i>Includes 525940</i>	<i>O RING CUFF SOCKET UL REC</i>
	<i>Includes 522178</i>	<i>O RING 208 DRAIN INLET</i>
	<i>Includes 529169</i>	<i>SEAL ELEMENT INNER 605</i>
	<i>Includes 529194</i>	<i>FLAP VALVE DRAIN 605</i>
	<i>Includes 522154</i>	<i>SHIM MOTOR ASSY 605</i>
	<i>Includes</i>	<i>INSTRUCTIONS SHIM MOTOR ASSY</i>
<b>14</b>	<b>528785P</b>	<b>HALL SENSOR PCB ASSY 605 ROHS</b>
<b>15</b>	<b>522150</b>	<b>KIT FLAP VALVE/O RING 605 (PKT 2)</b>
	<i>Includes</i>	<i>FLAP VALVE DRAIN 605 (2)</i>
	<i>Includes</i>	<i>O RING CUFF SOCKET UL REC (2)</i>
<b>16</b>	<b>522090</b>	<b>KIT HEATER PLATE 605 230V</b>
	<i>Includes</i>	<i>HEATER PLATE 605 230V</i>
	<i>Includes 525058</i>	<i>SEAL HEATER PLATE/TUB</i>
	<i>Includes 525940</i>	<i>O RING CUFF SOCKET UL REC</i>
	<i>Includes 522178</i>	<i>O RING 208 DRAIN INLET</i>

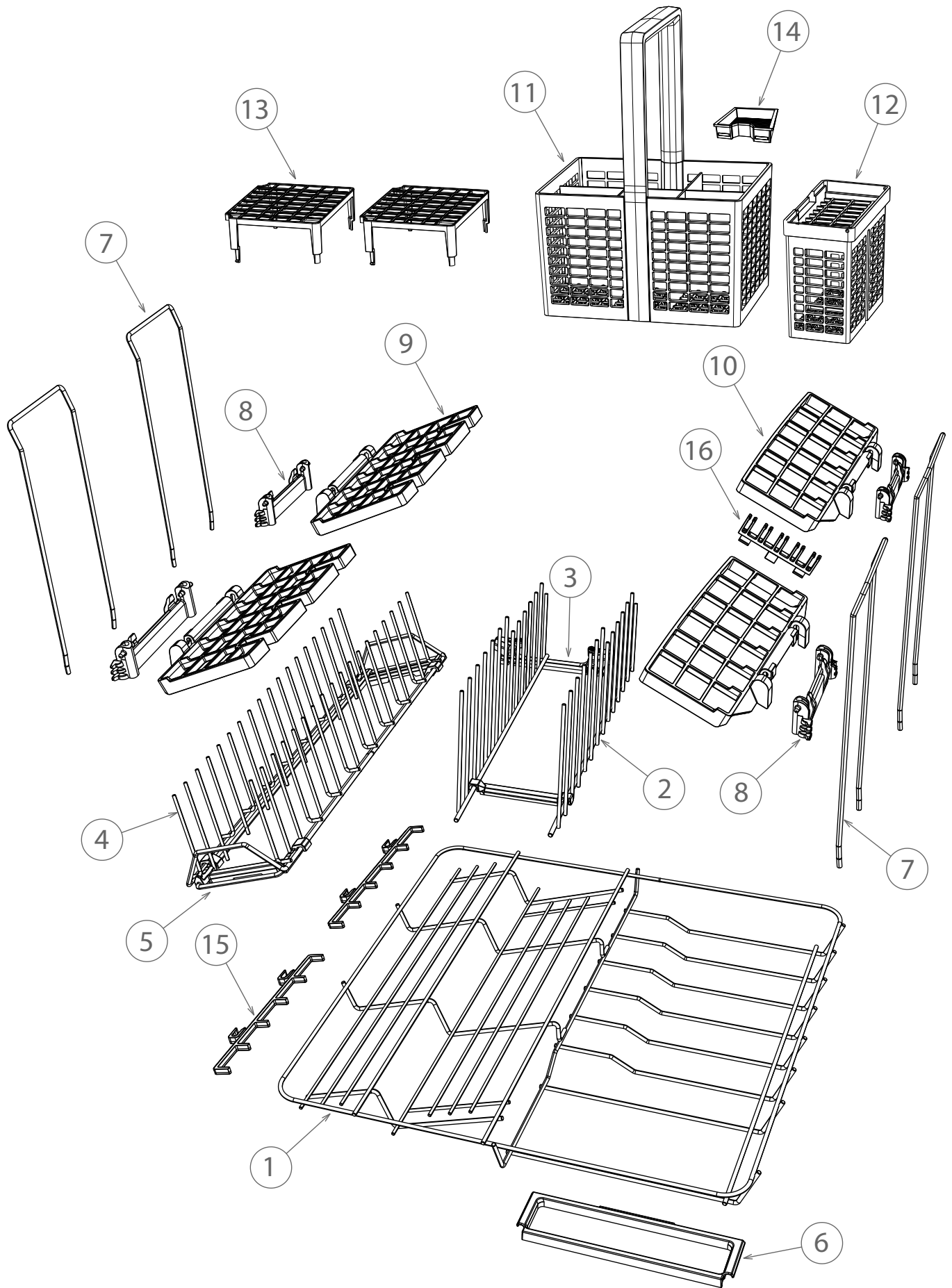




REF.	PART NUMBER	PART DESCRIPTION
	<i>Includes 529169</i>	SEAL ELEMENT INNER 605
	<i>Includes 529194</i>	FLAP VALVE DRAIN 605
	<i>Includes 522154</i>	SHIM MOTOR ASSY 605
	<i>Includes</i>	INSTRUCTIONS SHIM MOTOR ASSY
<b>17</b>	<b>529151</b>	<b>LOCKNUT OUTER 605</b>
<b>18</b>	<b>522578</b>	<b>EXIT DUCT ASSY</b>
<b>19</b>	<b>529152</b>	<b>COVER WIRING CO-MOULD 605</b>
<b>20</b>	<b>524786</b>	<b>SPRAY ARM ASSY 607 V2</b>
<b>21</b>	<b>522089</b>	<b>KIT SEAL WASH 605</b>
	<i>Includes 525058</i>	SEAL HEATER PLATE/TUB
	<i>Includes 525940</i>	O RING CUFF SOCKET UL REC
	<i>Includes 522178</i>	O RING 208 DRAIN INLET
	<i>Includes 529169</i>	SEAL ELEMENT INNER 605
	<i>Includes 529194</i>	FLAP VALVE DRAIN 605
	<i>Includes 522154</i>	SHIM MOTOR ASSY 605
	<i>Includes</i>	INSTRUCTIONS SHIM MOTOR ASSY
<b>22</b>	<b>529683</b>	<b>HARNESS MOTOR PH5</b>
<b>23</b>	<b>526263</b>	<b>HARNESS DISPENSER PH3</b>
<b>24</b>	<b>528674</b>	<b>CLAMP HOSE TYPE 12232-17-4</b>
<b>25</b>	<b>528063</b>	<b>FLAP VALVE FAN HOUSING 605</b>
<b>26</b>	<b>529039</b>	<b>ISOLATION DRYING FAN 605</b>
<b>27</b>	<b>528064</b>	<b>RETAINER FLAP FAN HOUSING 605</b>
<b>28</b>	<b>522163</b>	<b>KIT LOCKNUT INNER</b>
	<i>Includes</i>	LOCK NUT INNER 605
	<i>Includes 522154</i>	SHIM MOTOR ASSY 605
	<i>Includes</i>	INSTRUCTIONS SHIM MOTOR ASSY
<b>29</b>	<b>529157</b>	<b>COVER CONNECTOR ELEMENT 605</b>
<b>30</b>	<b>522154P</b>	<b>SHIM MOTOR ASSY 605</b>



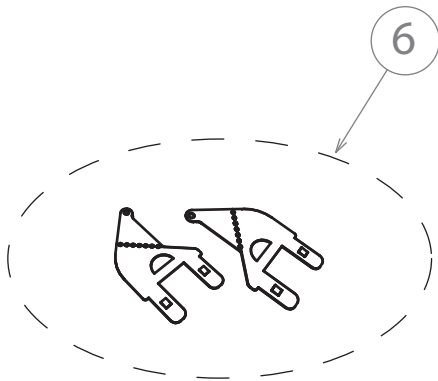
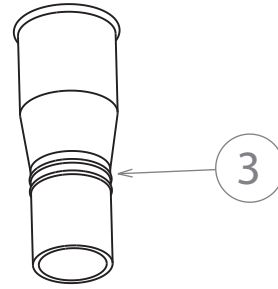
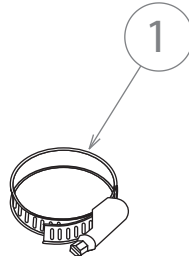
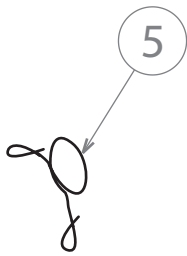
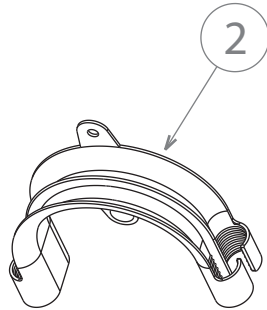
15 BASKET & RACKS





REF.	PART NUMBER	PART DESCRIPTION
<b>1</b>	<b>522657</b>	<b>BASE RACK ASSY 606</b>
<b>2</b>	<b>523627</b>	<b>CROCK INSERT MP 7PS</b>
	<i>Includes</i>	<i>COMB LHS MP 7PS CTD</i>
	<i>Includes</i>	<i>COMB RHS MP 7PS CTD</i>
	<i>Includes</i>	<i>CLIP FRONT FOLDDOWN 94</i>
	<i>Includes</i>	<i>CLIP LOCKED FOLDDOWN</i>
<b>3</b>	<b>524146</b>	<b>KIT CLIP FRONT/BACK FD PH7</b>
	<i>Includes</i>	<i>CLIP LOCKED FOLDDOWN</i>
	<i>Includes</i>	<i>CLIP FRONT FOLDDOWN 94</i>
<b>4</b>	<b>523649</b>	<b>CROCK INS PA 60 ASSY</b>
	<i>Includes</i>	<i>COMB PA FIXED 60 CTD</i>
	<i>Includes</i>	<i>COMB PA MOVING 60 CTD</i>
	<i>Includes</i>	<i>CLIP PA FRONT 60</i>
	<i>Includes</i>	<i>CLIP PA BACK 60</i>
<b>5</b>	<b>524147</b>	<b>KIT CLIP FRONT/BACK PA</b>
	<i>Includes</i>	<i>CLIP PA FRONT 60</i>
	<i>Includes</i>	<i>CLIP PA BACK 60</i>
<b>6</b>	<b>523665</b>	<b>TRAPDOOR 48MM PHASE 7</b>
<b>7</b>	<b>522683</b>	<b>WIRE SUPPORT CUP RACK STD</b>
<b>8</b>	<b>522694P</b>	<b>CLIP CUPRACK SEMIFLEX (PKT 4)</b>
<b>9</b>	<b>524179</b>	<b>RACK CUP LH DD60 100MM ASSY</b>
	<i>Includes 522694</i>	<i>CLIP CUPRACK SEMIFLEX</i>
<b>10</b>	<b>524180</b>	<b>RACK CUP RH DD60 80MM ASSY</b>
	<i>Includes 522694</i>	<i>CLIP CUPRACK SEMIFLEX</i>
<b>11</b>	<b>523404</b>	<b>CUTLERY BASKET 60 ASSY</b>
<b>12</b>	<b>522687</b>	<b>CONTAINER CUTLERY BASKET ASSY</b>
	<i>Includes</i>	<i>CONTAINER CB901</i>
	<i>Includes</i>	<i>CONTAINER LID CB 901</i>
<b>13</b>	<b>523488</b>	<b>ST INSERT C BASKET 60</b>
<b>14</b>	<b>523447</b>	<b>TABLET INSERT C 60</b>
<b>15</b>	<b>522691P</b>	<b>SUPPORT GLASS CLIPON (PKT 2)</b>
<b>16</b>	<b>523326</b>	<b>DD KNIFE CLIP COMBINED</b>





REF.	PART NUMBER	PART DESCRIPTION
<b>1</b>	<b>528690</b>	<b>CLAMP HOSE DIA 32-14</b>
<b>2</b>	<b>525477</b>	<b>SUPPORT DRAIN HOSE</b>
<b>3</b>	<b>525460</b>	<b>DRAIN SPIGOT CONNECTOR SINGLE</b>
<b>4</b>	<b>590213</b>	<b>BOOK SET USER PH7 LCD TXT AA</b>
	<i>Includes</i>	<i>QUICK START PH7 LCD TXT AA US</i>
	<i>Includes</i>	<i>BOOK USER DISHDRAWER PH7 (EN)</i>
	<i>Includes</i>	<i>LEAFLET EXTENDED WARRANTY AUST</i>
	<i>Includes</i>	<i>CARD REGISTRATION FP AA</i>
	<i>Includes</i>	<i>BOOK SERVICE &amp; WARR'TY FP/EL</i>
<b>5</b>	<b>525482P</b>	<b>CLIP WIRE DRAIN (PKT 2)</b>
<b>6</b>	<b>524171</b>	<b>KIT INSTALL TAB SGL DISHDRAWER</b>
	<i>Includes</i>	<i>INSTALL TAB TTA (2)</i>
	<i>Includes</i>	<i>INSTALL TAB TTB (2)</i>
	<i>Includes</i>	<i>SCREW WS 8X5/8TWINFST MTSPH ZP (6)</i>
<b>NI</b>	<b>522995</b>	<b>KIT INSTALL DBL/SGL PH5/PH6</b>
	<i>Includes 525477</i>	<i>SUPPORT DRAIN HOSE</i>
	<i>Includes 525482</i>	<i>CLIP WIRE DRAIN (2)</i>
	<i>Includes 525067</i>	<i>DRAIN SPIGOT CONNECTOR DOUBLE</i>
	<i>Includes 525460</i>	<i>DRAIN SPIGOT CONNECTOR SINGLE</i>
	<i>Includes 528690</i>	<i>CLAMP HOSE DIA 32-14</i>
	<i>Includes</i>	<i>SCREW WS 8X5/8 TWIN FAST (7)</i>
	<i>Includes 526797</i>	<i>TAB TOP (2)</i>
	<i>Includes</i>	<i>FOOT TOOL 605</i>
	<i>Includes</i>	<i>FOOT TOOL 45MM 605</i>
	<i>Includes</i>	<i>INSTALL TAB TTA (2)</i>
	<i>Includes</i>	<i>INSTALL TAB TTB (2)</i>
	<i>Includes</i>	<i>CORNER PLUG TRIM DDTALL (4)</i>
	<i>Includes 527228</i>	<i>KIT TAPE UNDERBENCH</i>
<b>NI</b>	<b>527228</b>	<b>KIT TAPE UNDERBENCH</b>
<b>NI</b>	<b>590200</b>	<b>BOOK INSTL DD24 PH7 AA GB</b>
<b>NI</b>	<b>522794</b>	<b>CARTON SLEEVE REPACK DD60S6</b>



[www.fisherpaykel.com](http://www.fisherpaykel.com)

*Fisher & Paykel*

Copyright © Fisher & Paykel 2014. All rights reserved.  
The product specifications in this manual apply to the specific model described at the date of issue. Under our policy of continuous product improvement, these specifications may change at any time. Only use this manual if the product code on the front matches the product code on the serial label of the product.