

Fisher&Paykel

Coffee Maker
EB60DSXB1 FP AA GB IE CN

Product Code: 80616-B

Parts Manual

AA GB IE CN

Brand:	Fisher & Paykel
Voltage:	220-240V, 50H
Model:	EB60DSXB1 FP AA GB IE CN
Product Code:	80616-B

Model

- The model covered by this manual is listed on the front cover.
- The information detailed in this manual is subject to change without notice. The latest version is indicated by the reprint date and replaces any earlier editions.

Kit Parts

Kit components are shown in *italics*. Where a part number is shown against the descriptions for these kit components, they are also available as separate items. In addition, some parts may be supplied with these kits that are not available as separate items, and are therefore either not listed, or a part number is not shown against the part description in this manual.

Parts List Key

<i>italics</i>	Kit components or parts included are shown in italics. Refer to above notes: Kit Parts.
NI	As a part reference, indicates the part is not illustrated on the diagram.
NOT USED	As a part number, indicates the diagram part reference is not used in this manual.

COFFEE MAKER COMPONENTS	3
COFFEE MAKER COMPONENTS	5
COFFEE MAKER COMPONENTS	7
COFFEE MAKER COMPONENTS	9

Fisher & Paykel Appliances Ltd

PO Box 58-546,
Greenmount
78 Springs Rd, East Tamaki
New Zealand
tel: (09) 2730660
fax: (09) 2730580
email: customer.care@fp.co.nz

Fisher & Paykel Customer Services Pty Ltd

PO Box 798, Cleveland, QLD 4163
A.C.N. 003 3335 171
19 Enterprise Street Cleveland, QLD 4163
Australia
tel: (07) 3826 9100
fax: (07) 3826 9164
email: customer.care@fp.com.au

Fisher & Paykel Appliances Ltd UK

Maidstone Road
Kingston
Milton Keynes
Buckinghamshire, MK10 OBD
England
Telephone: 0845 066 2200
Facsimile: 0845 331 2360
E-mail:
customer.care@fisherpaykel.co.uk

Fisher & Paykel Appliances

Unit D2
North Dublin Corporate Park
Swords
Co Dublin
Ireland
Telephone: 1800 625 174
Facsimile: 1800 635 012
E-mail: customer.care@fisherpaykel.ie

Fisher & Paykel Appliances Ltd

Flat No 202-203, BMC House,
N-1, Middle Circle
Connaught Place
New Delhi - 110001
India
telefax: +91 11 42408366
direct: +91 11 42408365
email: customercareindia@fisherpaykel.com
web: www.fisherpaykel.com

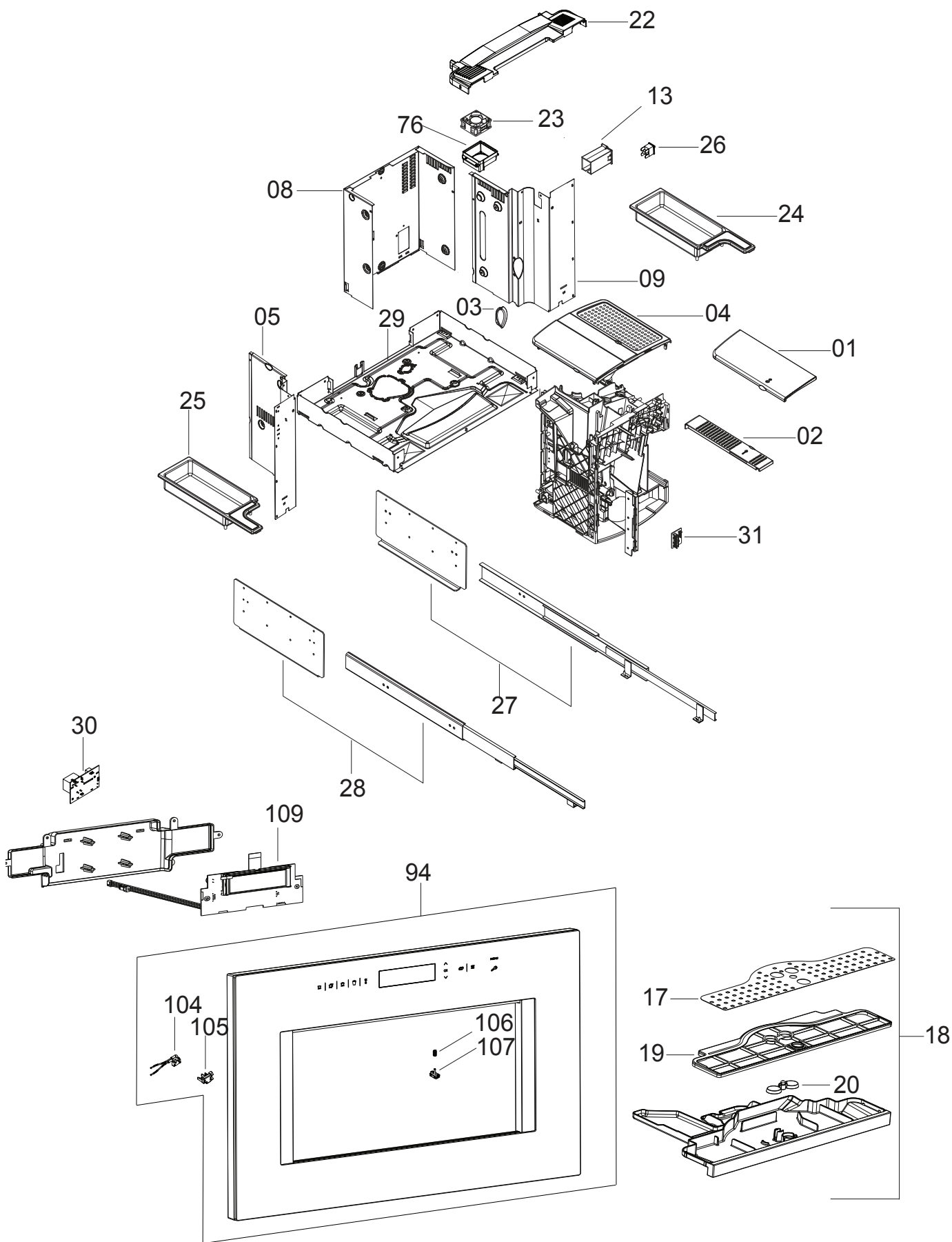
Fisher & Paykel Appliances Ltd Singapore

150 Ubi Avenue 4
Sunlight building #02-00
Singapore 408825
tel: 6547 0100
service tel: 6741 0777
fax: 6547 0123

Qingdao Haier International Trading Co. Ltd

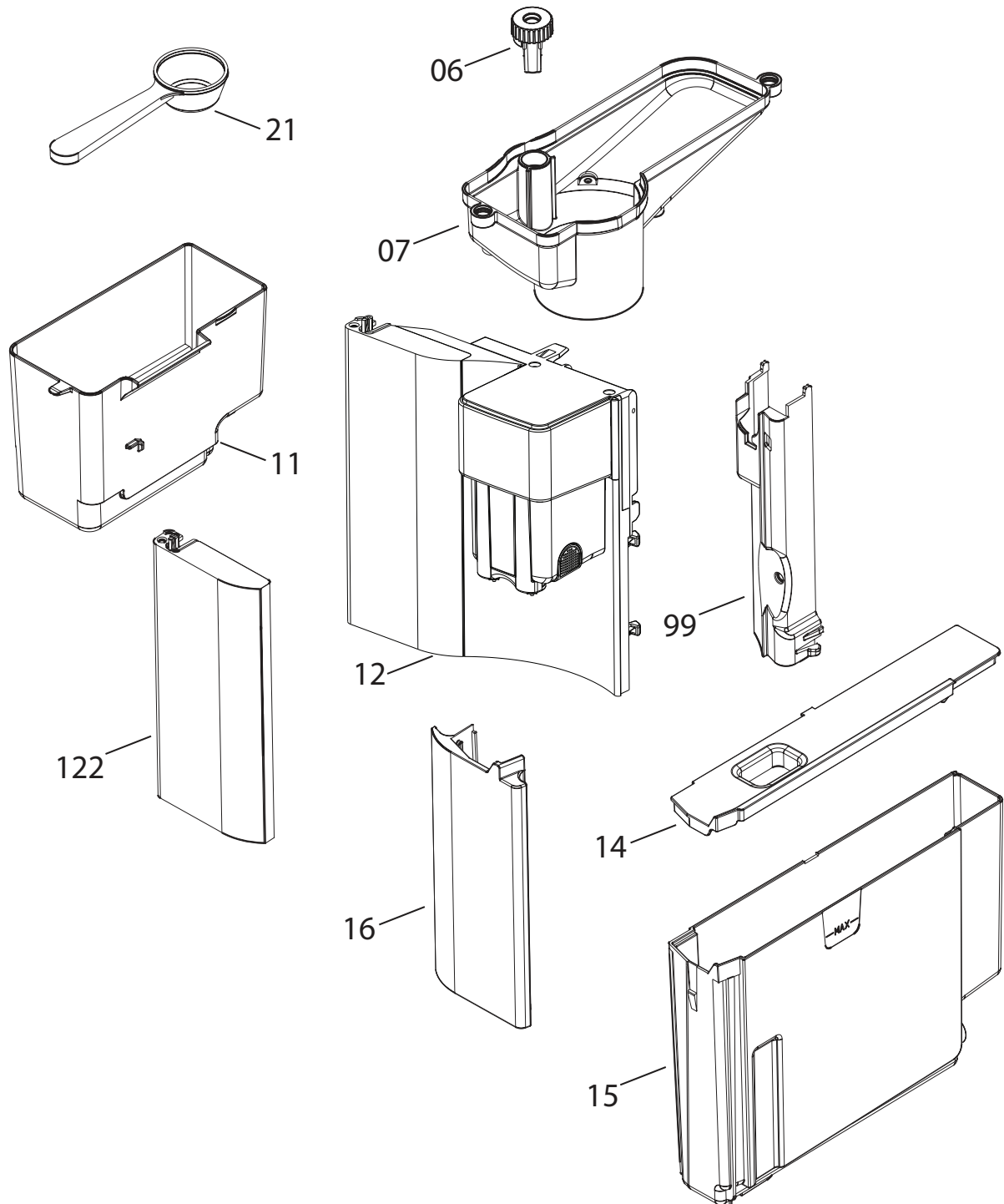
Haier Industrial Park
Haier Road
Qingdao 266101
P. R. China
Phone : 400 6406777

3 COFFEE MAKER COMPONENTS



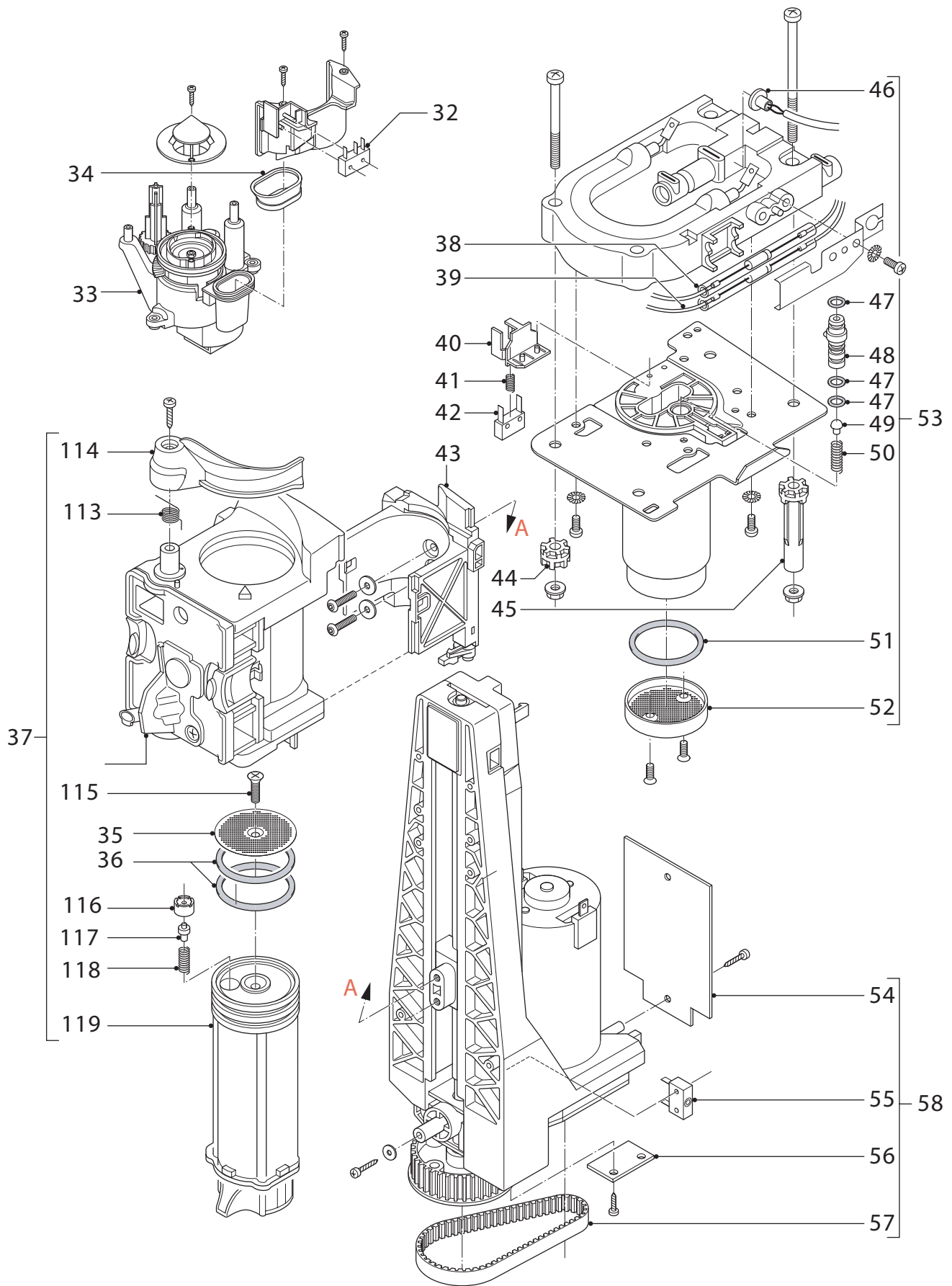
REF.	PART NUMBER	PART DESCRIPTION
1	792042	COVER COFFEE MAKER
2	792043	COVER COFFEE MAKER
3	792044	INSERT COFFEE MAKER
4	792045	CLOSURE COFFEE MAKER
5	792046	SIDE LEFT
8	792049	REAR PANEL
9	792050	SIDE RIGHT
13	792054	SUPPORT COFFEE MAKER
17	792058	CUP PLATE
18	792059	PAN ASSY.
19	792060	SUPPORT COFFEE MAKER
20	792061	FLOAT COFFEE MAKER
22	792063	FRAME COFFEE MAKER
23	792064	VENTILATOR COFFEE MAKER
24	792065	TRAY COFFEE MAKER
25	792164	TRAY COFFEE MAKER
26	792066	SWITCH
27	792067	RUNNER RIGHT
28	792068	RUNNER LEFT
29	792069	BASE COFFEE MAKER
30	792070	BOARD LEFT
31	792071	BOARD COFFEE MAKER
NI	792099	POWER SUPPLY CORD AA
	840711	CORD SUPPLY 230V CHINA
	840710	CORD POWER SUPPLY 230V UK
76	792116	COVER COFFEE MAKER
94	792468	CONTROL ASSY COFFEE MAKER B
104	792143	SPRING MICROSWITCH
105	792144	SUPPORT COFFEE MAKER
106	792145	SPRING
107	792146	BUTTON ON/OFF COFFEE MAKER
109	792469	CONTROL BOARD COFFEE MAKER B

5 COFFEE MAKER COMPONENTS



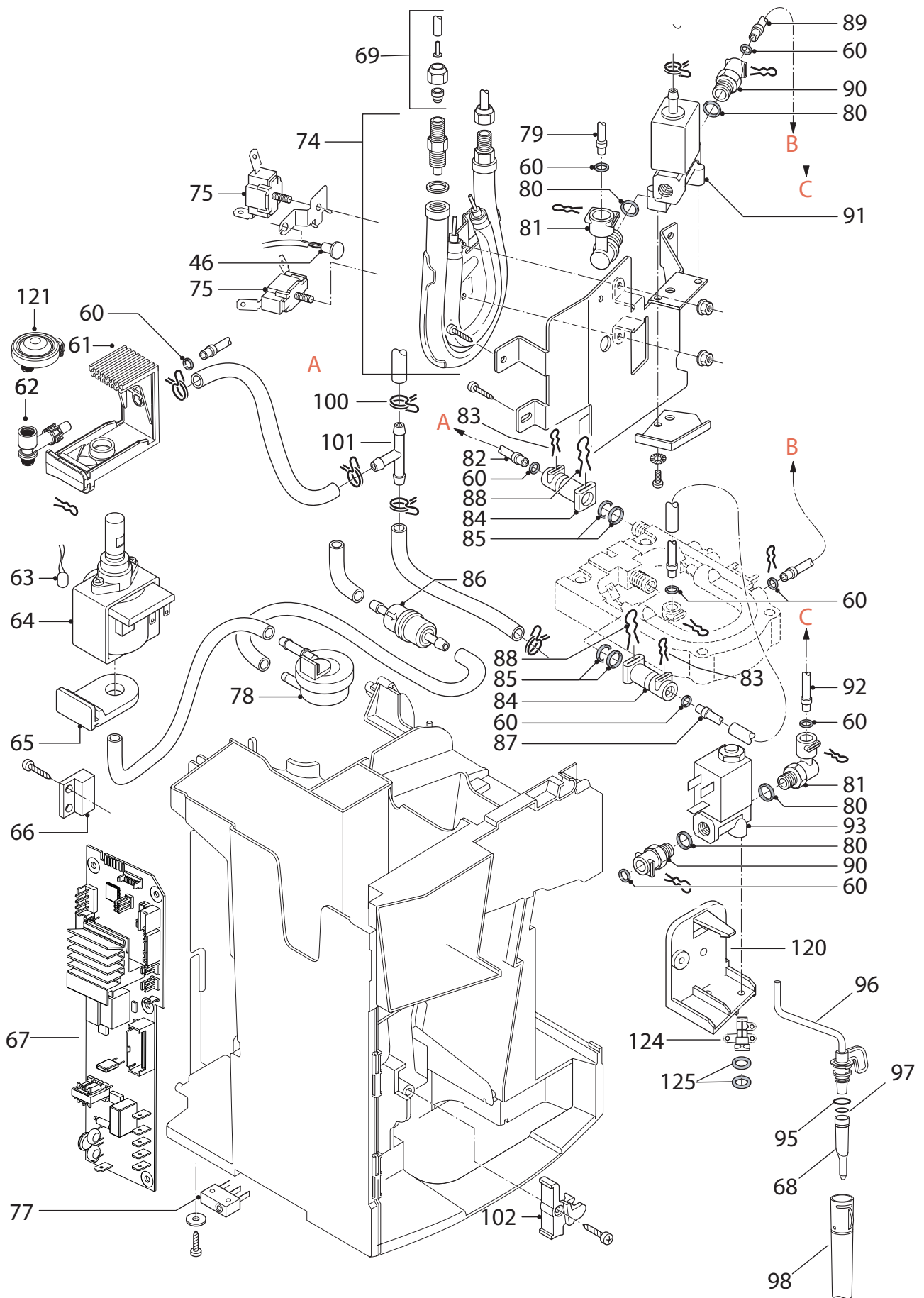
REF.	PART NUMBER	PART DESCRIPTION
6	792047	KNOB COFFEE MAKER
7	792048	TANK COFFEE MAKER
11	792052	TRAY COFFEE MAKER
12	792053	DOOR ASSY COFFEE MAKER
14	792055	COVER COFFEE MAKER
15	792056	TRAY COFFEE MAKER
16	792057	PROFILE COFFEE MAKER
21	792062	SPOON MEASURE COFFEE MAKER
99	792139	COVER COFFEE MAKER
122	792161	FRONT PIECE COFFEE MAKER
NI	85083	TRIM KIT COMPANION RANGE - 480 (ACCESSORY ONLY)
NI	590336	BOOK USR/INSTL COFFEE MAKER EN/CN

7 COFFEE MAKER COMPONENTS



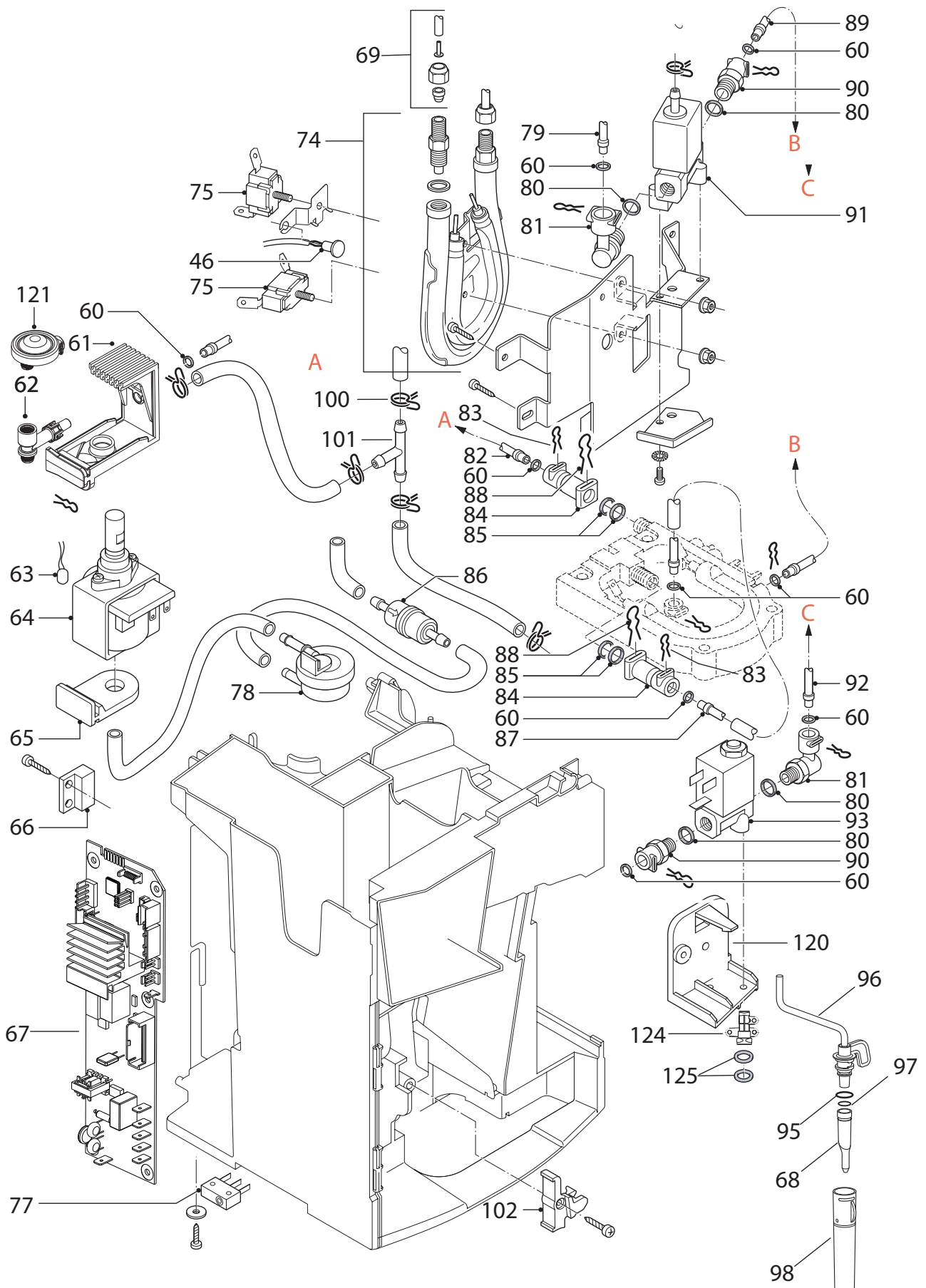
REF.	PART NUMBER	PART DESCRIPTION
32	792072	MICROSWITCH COFFEE MAKER
33	792073	COMPLETE GRINDER
34	792074	GASKET COFFEE MAKER
35	792075	DIFFUSER COFFEE GRINDER
36	792076	O-RING COFFEE MAKER
37	792077	INFUSION KIT COFFEE MAKER
38	792078	WIRING TCO COFFEE MAKER
39	792079	WIRING TCO COFFEE MAKER
40	792080	SUPPORT COFFEE MAKER
41	792081	SPRING COFFEE MAKER
42	792082	MICROSWITCH
43	792083	SLIDER COFFEE MAKER
44	792084	BUSH COFFEE MAKER
45	792085	BUSH COFFEE MAKER
46	792086	SENSOR NTC COFFEE MAKER
47	792087	O-RING COFFEE MAKER
48	792088	PIN COFFEE MAKER
49	792089	VALVE COFFEE MAKER
50	792090	SPRING COFFEE MAKER
51	792091	O-RING COFFEE MAKER
52	792092	FILTER COFFEE MAKER
53	792093	GENERATOR COFFEE MAKER
54	792094	BOARD COFFEE MAKER
55	792095	MICROSWITCH COFFEE MAKER
56	792096	BOARD FEELER COFFEE MAKER
57	792097	BELT COFFEE MAKER
58	792470	TRANSMISSION KIT COFFEE MAKER B
113	792152	SPRING COFFEE MAKER
114	792153	LEVER COFFEE MAKER
115	792154	SCREW COFFEE MAKER
116	792155	STOPPER COFFEE MAKER
117	792156	VALVE COFFEE MAKER
118	792157	SPRING COFFEE MAKER
119	792158	PISTON COFFEE MAKER

9 COFFEE MAKER COMPONENTS



REF.	PART NUMBER	PART DESCRIPTION
46	792086	SENSOR NTC COFFEE MAKER
60	792100	O-RING D=3,85
61	792101	SUPPORT COFFEE MAKER
62	792102	VALVE COFFEE MAKER
63	792103	PROTECTOR COFFEE MAKER
64	792104	PUMP COFFEE MAKER
65	792105	SUPPORT COFFEE MAKER
66	792106	SENSOR REED COFFEE MAKER
67	792471	POWER BOARD COFFEE MAKER B
68	792108	TUBE LOWER COFFEE MAKER
69	792419	HOSE ASSY EYELET BUSH NUT 135MM
	792420	HOSE ASSY EYELET BUSH NUT 335MM
	792421	HOSE ASSY EYELET BUSH NUT 150MM
	792422	HOSE ASSY EYELET BUSH NUT 460MM
	792423	HOSE ASSY EYELET BUSH NUT 270MM
74	792114	HEATER ASSY COFFEE MAKER
	<i>Includes</i>	CONNECTION COFFEE MAKER
	<i>Includes</i>	RING COFFEE MAKER
75	792115	THERMAL CUT OUT COFFEE MAKER
77	792117	MICROSWITCH COFFEE MAKER
78	792118	PRESSURE SWITCH COFFEE MAKER
79	792119	TUBE PTFE DI2-DE4 L=135 1BUSHES
80	792120	GASKET COFFEE MAKER
81	792121	CONNECTION COFFEE MAKER
82	792122	TUBE PTFE DI2-DE4 L=150 2BUSHES
83	792123	SPRING COFFEE MAKER
84	792124	CONNECTION COFFEE MAKER
85	792125	O-RING D=4.5 COFFEE MAKER
86	792126	FILTER COFFEE MAKER
87	792127	TUBE PTFE DI2-DE4 L=270 2BUSHES
88	792128	SPRING COFFEE MAKER
89	792122	TUBE PTFE DI2-DE4 L=150 2BUSHES
90	792130	CONNECTION COFFEE MAKER
91	792472	SOLENOID VALVE MAIN COFFEE B
92	792132	TUBE PTFE DI2-DE4 L=335 1BUSH





REF.	PART NUMBER	PART DESCRIPTION
93	792473	SOLENOID VALVE STEAM ARM B
95	792135	O-RING COFFEE MAKER
96	792136	TUBE COFFEE MAKER
97	792120	GASKET COFFEE MAKER
98	792138	FROTHER COFFEE MAKER
100	792140	CLIP CLAMP COFFEE MAKER
101	792141	CONNECTION COFFEE MAKER
102	792142	HOOK COFFEE MAKER
120	792159	SUPPORT COFFEE MAKER
121	792160	REGULATOR COFFEE MAKER
124	792162	SUPPORT COFFEE MAKER
125	792163	O-RING D=6 COFFEE MAKER

Fisher & Paykel
appliances

customer care™

www.fisherpaykel.com

Fisher & Paykel

Copyright © Fisher & Paykel 2013. All rights reserved.
The product specifications in this manual apply to the specific model described at the date of issue. Under our policy of continuous product improvement, these specifications may change at any time. Only use this manual if the product code on the front matches the product code on the serial label of the product.