

PARTS MANUAL

Front Load Washing Machine

HWF95AN1 HA AA

Product Code
62354-A

AU NZ

Haier

CONTENTS

INTRODUCTION	2
CABINET COMPONENTS	3
DOOR & CONTROL PANEL COMPONENTS	5
DISPENSER & WIRING COMPONENTS	7
BOWLS & MOTOR COMPONENTS	9

INTRODUCTION

BRAND	VOLTAGE	MODEL	PRODUCT CODE
Fisher & Paykel	220-240 50Hz	HWF95AN1 HA AA	62354-A

MODELS

The models covered by this manual are listed on the front cover. The information detailed in this manual is subject to change without notice. The latest version is indicated by the reprint date and replaces any earlier editions.

KIT PARTS

Where a part number is shown against the descriptions for these kit components, they are also available as separate items. In addition, some parts may be supplied with these kits that are not available as separate items, and are therefore either not listed, or a part number is not shown against the part description in this manual.

PARTS LIST KEY

NI	As a part reference, indicates the part is not illustrated on the diagram.
NOT USED	As a part number, indicates the diagram part reference is not used in this manual.
NS	As a part number, indicates the part is not servicable.

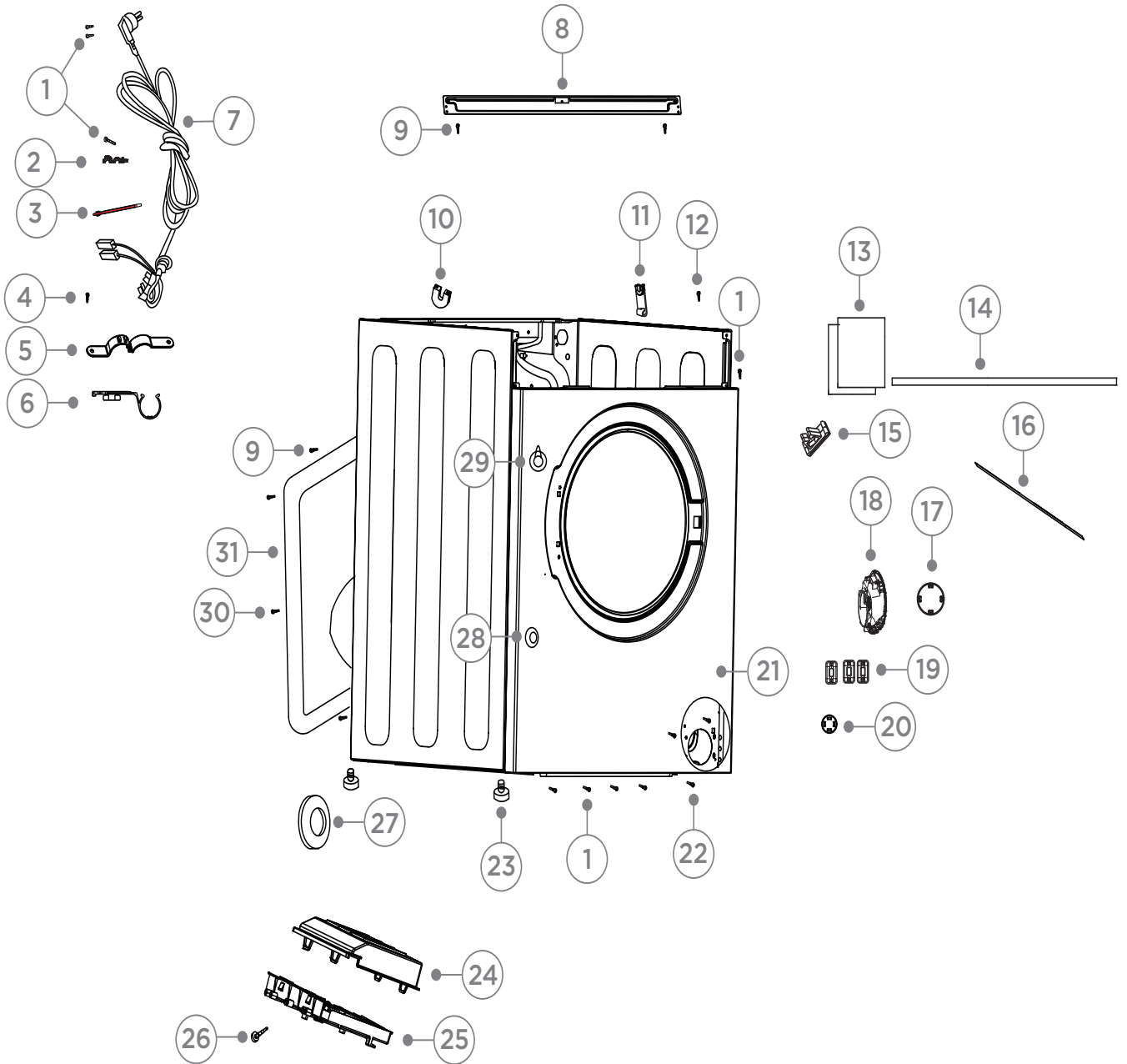
NZ

tel: 09 273 0600
fax: 09 273 0656
e-mail: nz.customercare@fisherpaykel.com
www.fisherpaykel.com/nz

AU

tel: 07 3826 9100
fax: 07 3826 9164
e-mail: aus.customercare@fisherpaykel.com
www.fisherpaykel.com/au

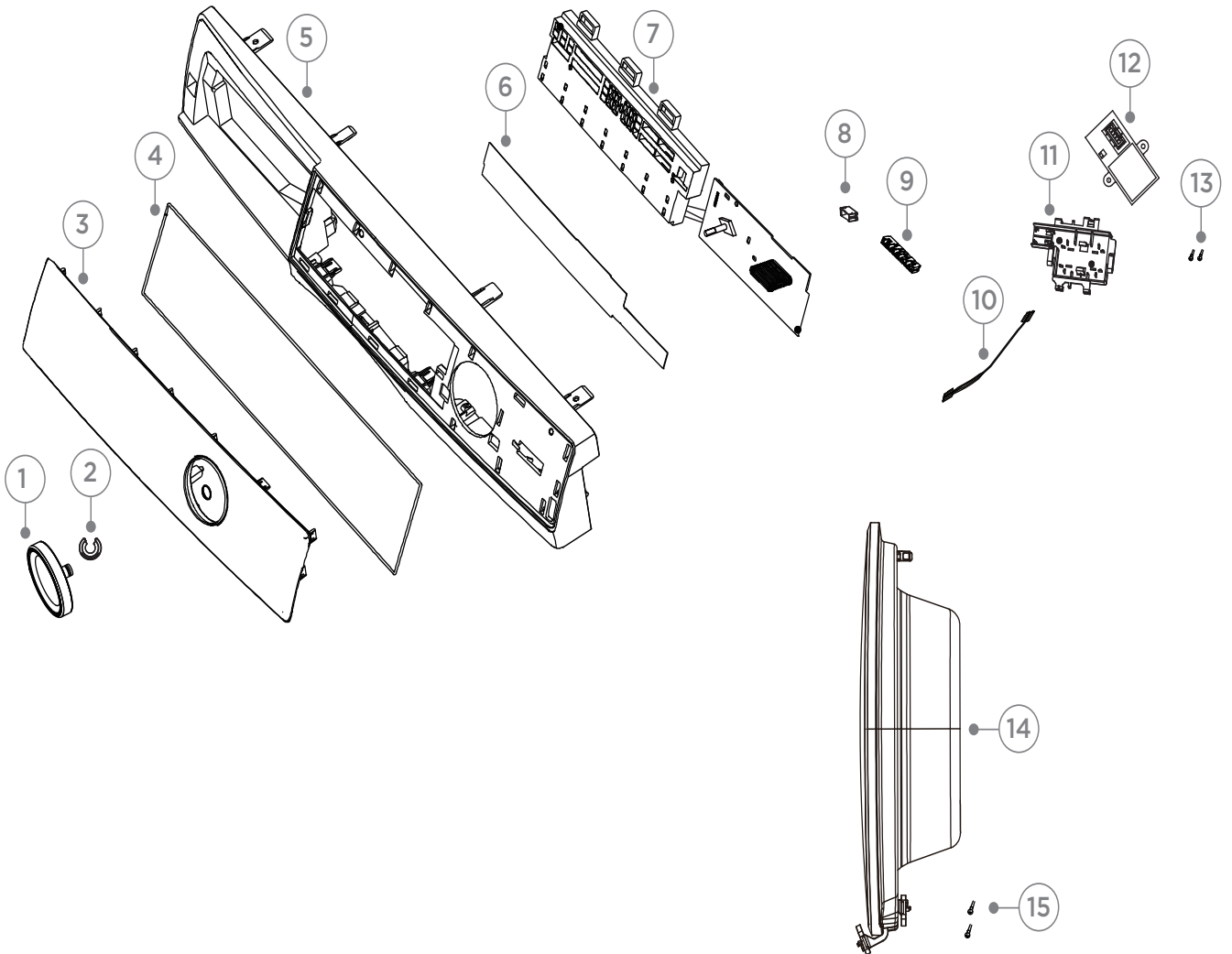
CABINET COMPONENTS



CABINET COMPONENTS

REFERENCE	PART NUMBER	PART DESCRIPTION
1	H0020600179	BOLT
2	H0024000429A	WASHER
3	H00297022120100	CLAMP PANDUIT
4	H0020600093A	SCREW
5	H0020202937	BRACKET DRAIN HOSE
6	H00215200042604	HOSE CLAMP
7	H0020400196FD	POWER CORD
8	H0020101006C	BRACKET
9	H00216910320111A	SCREW
10	H00214800503000	SUPPORT SPRING
11	H0020203391	BRACKET RH SUSPENSION SPRING
12	H0020600491	GUIDE TOP COVER
13	H0020300932	CUSHION CABINET
14	H00212500375104	GASKET INNER COVER TO GLASS
15	H0040202557	WIRING CLIP
16	H0020204890	LEVER DOOR LOCK
17	H0020206022	PLUG COVER
18	H0020812621E	FILTER
19	H0020206042	BLANKING CAP
20	H0020205208	BLANKING CAP
21	H0020103457E	FRONT CABINET
22	H0020600027B	SCREW M3.5
23	H0020300170G	FOOT
24	H0020205561	COVER POWER BOARD
25	H0021800151C	POWER BOARD
26	H00330802004A	SCREW
27	H0020204516	DRAIN HOSE HOLDER
28	H0020202843	GUIDE LATCH UPPER
29	H0020202844	GUIDE LATCH LOWER
30	H02-0085104006	SCREW
31	H0020808584	PANEL REAR COVER

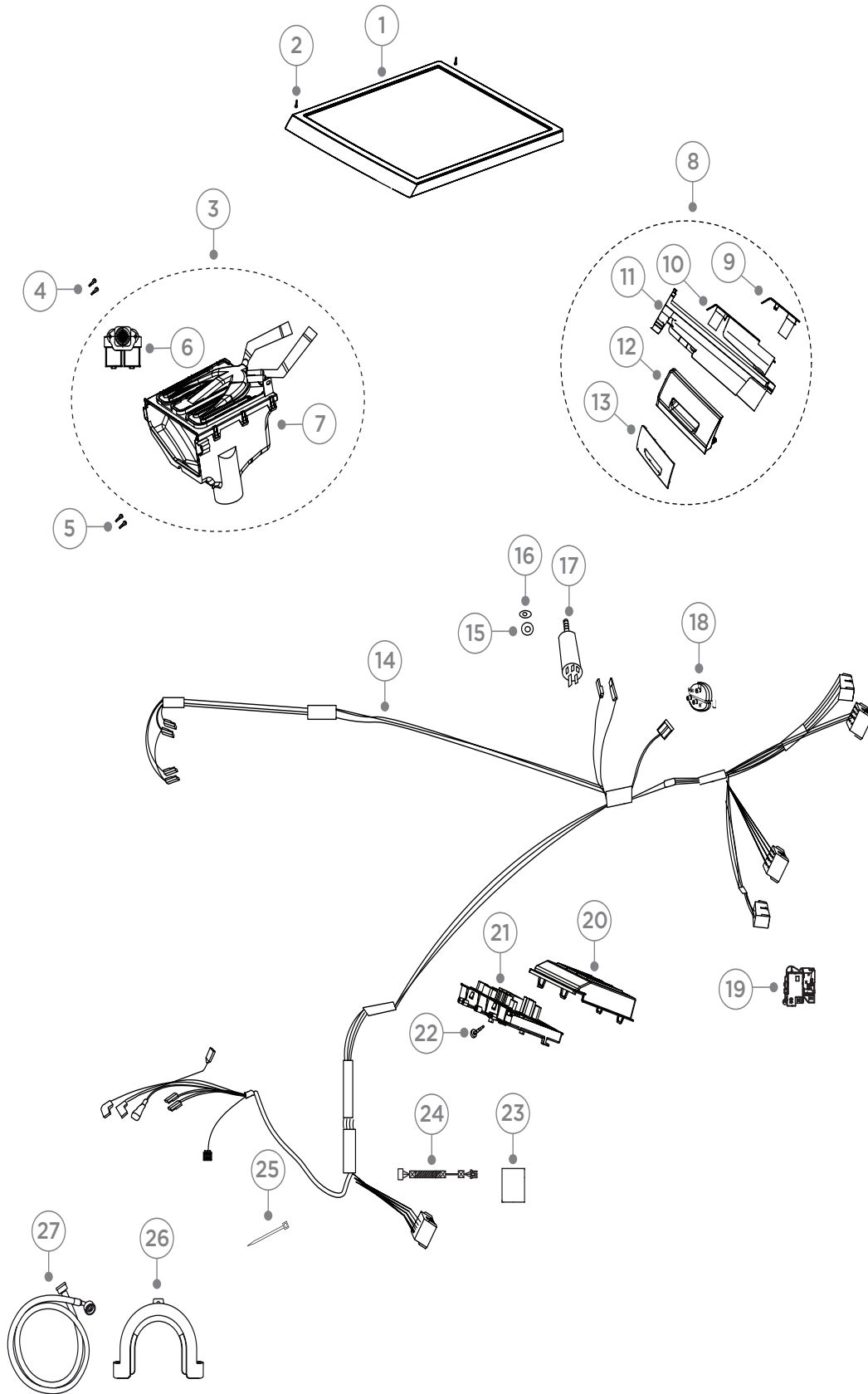
DOOR & CONTROL PANEL COMPONENTS



DOOR & CONTROL PANEL COMPONENTS

REFERENCE	PART NUMBER	PART DESCRIPTION
1	H0020812350E	KNOB ASSEMBLY
2	H0020205405	CIRCLE SMALL DEC
3	H0020509116N	PANEL CONTROL FRONT
4	H0020301113	SEALING STRIP
5	H0020207539AE	PANEL CONTROL
6	H0021800082RC	FILM WATERPROOF
7	H0021800239V	DISPLAY BOARD
8	H0020205366	PLASTIC JOINT
9	H0020204980	POWER BUTTON
10	H0020400809A	WIFI TRANSFER LINE
11	H0020207541	BRACKET WIFI
12	H0021800217A	MODULE CONTROL WIRELESS
13	H00216910320111A	SCREW
14	H0020813099A	DOOR ASSEMBLY HWF
15	H0020600357	SCREW

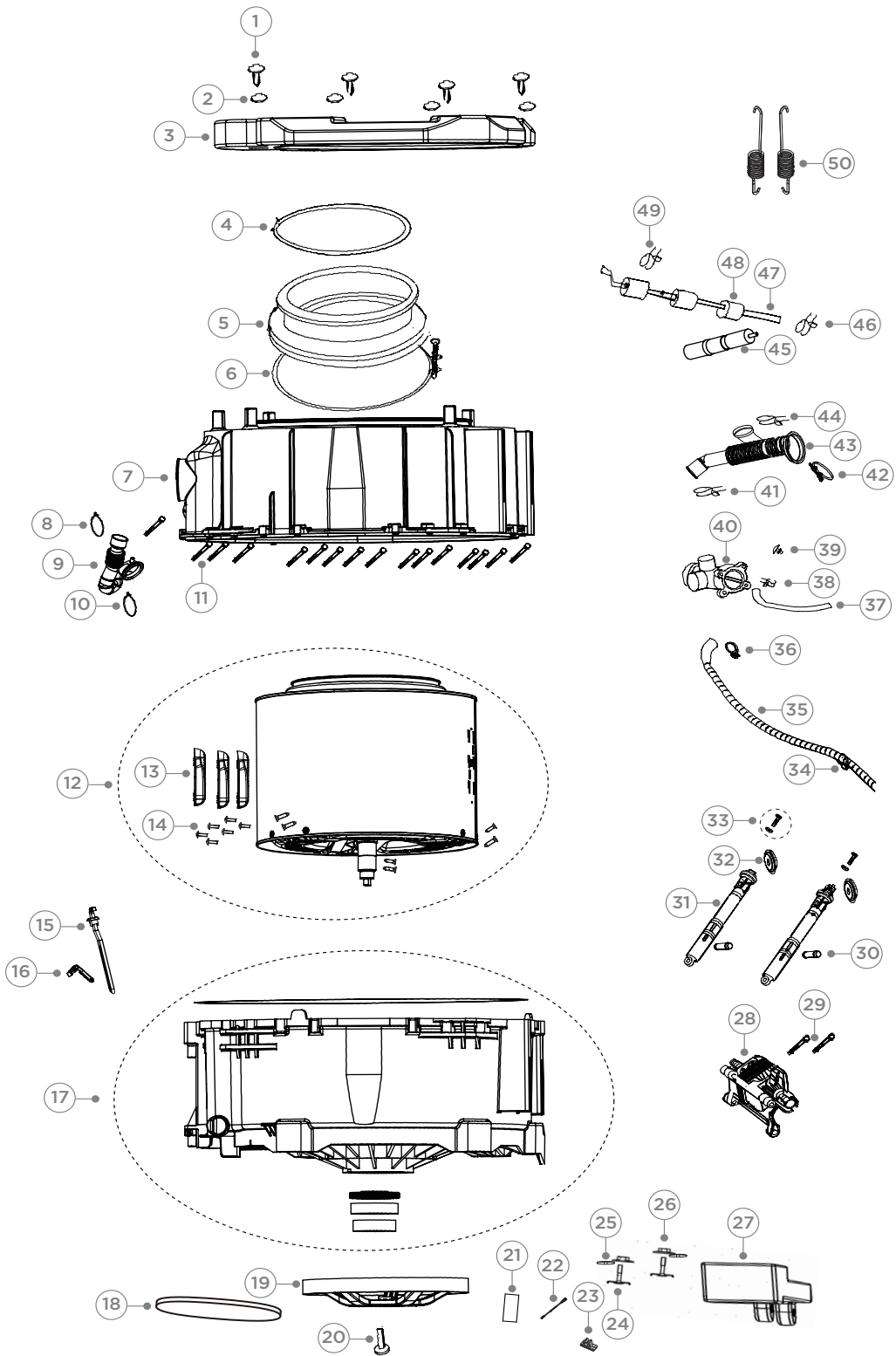
DISPENSER & WIRING COMPONENTS



DISPENSER & WIRING COMPONENTS

REFERENCE	PART NUMBER	PART DESCRIPTION
1	H0020810519E	PANEL TOP COVER
2	H00216910320111A	SCREW
3	H0020811968AH	MODULE TANK
4	H00216920110008A	SCREW
5	H00330810010	SCREW
6	H0024000126B	VALVE INLET DUAL COLD
7	H0020812017F	TANK STORAGE
8	H0020812161AE	DISPENSER ASSEMBLY
9	H0020207081	COVER PREWASH
10	H0020207080C	COVER SOFTENER
11	H0020207082A	DISPENSER TRAY
12	H0020207540AE	HANDLE DISPENSER
13	H0020509031AD	DECAL HANDLE
14	H0020400462AB	WIRING HARNESS
15	H00215000000001A	NUT
16	H00217440540612	WASHER RFI FILTER
17	H0024000247S	SUPRESSOR INTERFERENCE
18	H0024000399AC	SWITCH PRESSURE WATER LEVEL
19	H0024000128R	LOCK DOOR
20	H0020206436	HOUSING MOTOR CONTROLLER
21	H0021800035L	MOTOR CONTROLLER
22	H00330802004A	SCREW
23	H0030508588F	SAFEGUARD YELLOW CLOTH
24	H0020400087Q	WIRING HARNESS
25	H00221150320000	ZIP TIE SMALL
26	H00221123015002	BRACKET DRAIN HOSE
27	H0020300158A	HOSE INLET AW COLD

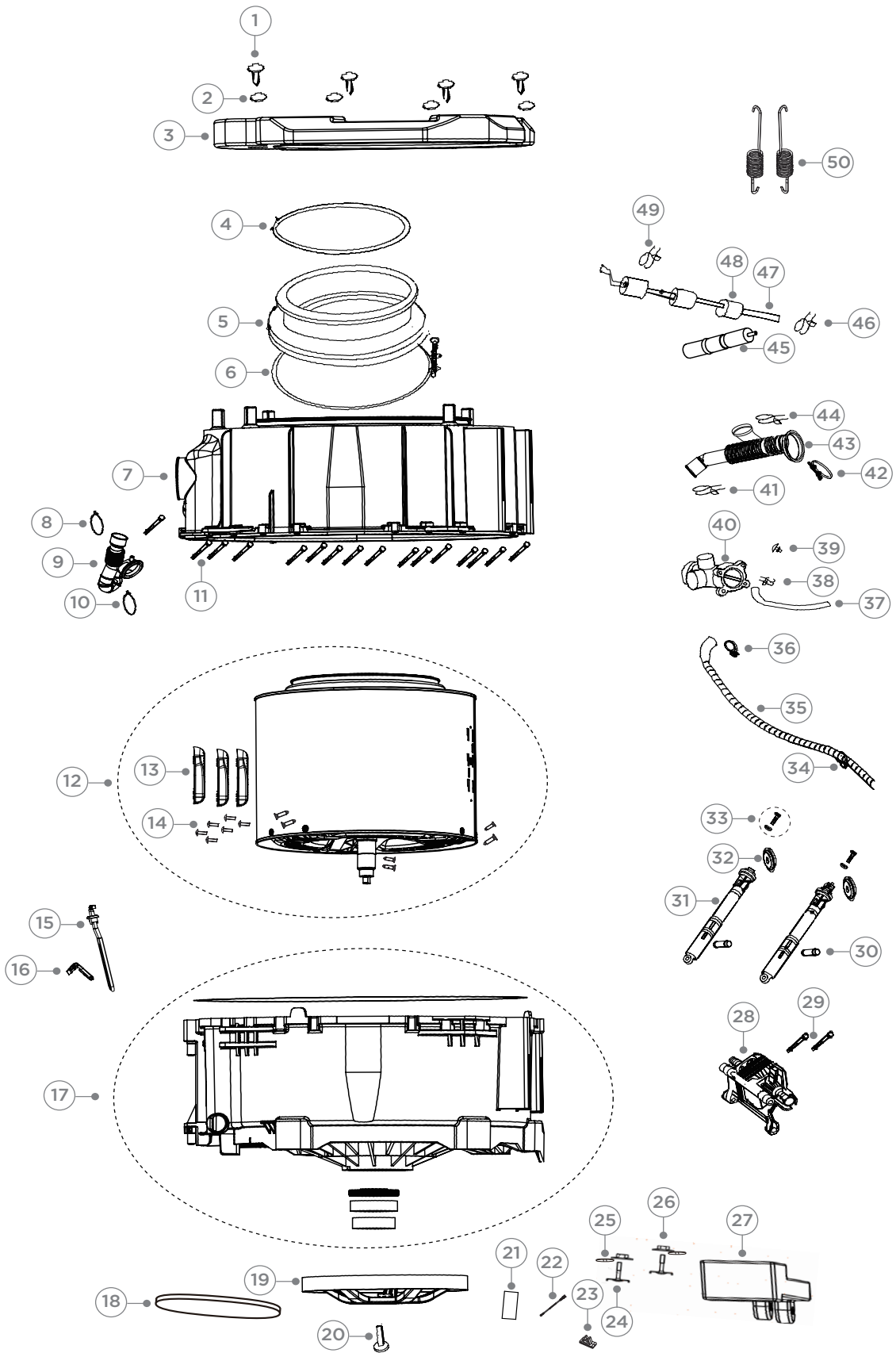
BOWLS & MOTOR COMPONENTS



BOWLS & MOTOR COMPONENTS

REFERENCE	PART NUMBER	PART DESCRIPTION
1	H0020600285	BOLT COUNTERWEIGHT
2	H0020600147A	WASHER COUNTER WEIGHT
3	H0020300589B	COUNTERWEIGHT FRONT LOWER
4	H0020600426	LOCK RING
5	H0020300926P	GASKET DOOR
6	H0020600211	CLAMP TUB BELLOWS
7	H0020203177E	TUB FRONT ASSY
8	H00218230550611	CLIP DISPENSOR HOSE
9	H0020301124	CONNECTOR HOSE
10	H00211320018800A	CLAMP 43 TUB DISPENSER
11	H00215100001000	SCREW
12	H0020806265K	DRUM ASSY
13	H0020205687	DRUM VEIN
14	H0020600029	SCREW
15	H0024000279D	HEATING ELEMENT
16	H0020100432	BRACKET HEATER
17	H0020806090CF	CYLINDER OUTER ASSEMBLY
18	H0020300592	BELT
19	H0020100615	PULLEY
20	H00215000014000B	BOLT PULLEY
21	H0020301424A	FLAMEPROOF FABRIC
22	H0020400560H	EARTH WIRE
23	H0020205740	CLIP CABLE FIXED
24	H0020600360	BOLT M8 55
25	H00217600790008A	WASHER
26	H00221152310002A	NUT
27	H0020300344K	COUNTER WEIGHT UPPER
28	H0024000389CA	MOTOR
29	H00215100001000	SCREW
30	H0020205577	PIN SHOCK ABSORBER

BOWLS & MOTOR COMPONENTS



BOWLS & MOTOR COMPONENTS

REFERENCE	PART NUMBER	PART DESCRIPTION
31	H0020600213	SHOCK ABSORBER
32	H00215000035200	WASHER STEEL
33	H0020600358	BOLT SHOCK ABSORBER
34	H00215200004402	CLIP PRESSURE TUBE
35	H0020300148	HOSE DRAIN
36	H0020600050A	CLAMP HOSE VALVE
37	H0020300379A	HOSE PUMP DRAIN
38	H0020600271	HOSE CLAMP
39	H0020207603	PLUG WASTE WATER
40	H0022150033660401D	PUMP FL WM
41	H0020600050A	CLAMP HOSE VALVE
42	H00297023000100A	CLAMP TUB DRAIN HOSE
43	H0020300387A	HOSE TUB PUMP
44	H00215200294400A	CLAMP PUMP INNER HOSE
45	H0020202906	AIR BELL
46	H00211320015200A	CLIP
47	H0020300430A	HOSE DISPENSER TUB
48	H00212500011100	SPONGE PROTECTOR PRESSURE TUBE
49	H00218210650611A	CLIP
50	H0020600214	SPRING SUSPENSION
NI	H0020205715	COVER PACKING BOLT

www.fisherpaykel.com

© Fisher & Paykel Appliances 2021. All rights reserved.

The models shown in this guide may not be available in all markets and are subject to change at any time.

The product specifications in this guide apply to the specific products and models described at the date of issue. Under our policy of continuous product improvement, these specifications may change at any time.

For current details about model and specification availability in your country, please go to our website or contact your local Fisher & Paykel dealer.