

PARTS MANUAL

Top Load Washing Machine

HWT08AN1 HA AA

Product Code
62348-A

AU NZ

Haier

CONTENTS

INTRODUCTION	2
TOP CONSOLE COMPONENTS	3
CABINET COMPONENTS	7
BOWLS & MOTOR COMPONENTS	9

INTRODUCTION

BRAND	VOLTAGE	MODEL	PRODUCT CODE
Fisher & Paykel	220-240 50Hz	HWT08AN1 HA AA	62348-A

MODELS

The models covered by this manual are listed on the front cover. The information detailed in this manual is subject to change without notice. The latest version is indicated by the reprint date and replaces any earlier editions.

KIT PARTS

Where a part number is shown against the descriptions for these kit components, they are also available as separate items. In addition, some parts may be supplied with these kits that are not available as separate items, and are therefore either not listed, or a part number is not shown against the part description in this manual.

PARTS LIST KEY

NI	As a part reference, indicates the part is not illustrated on the diagram.
NOT USED	As a part number, indicates the diagram part reference is not used in this manual.
NS	As a part number, indicates the part is not servicable.

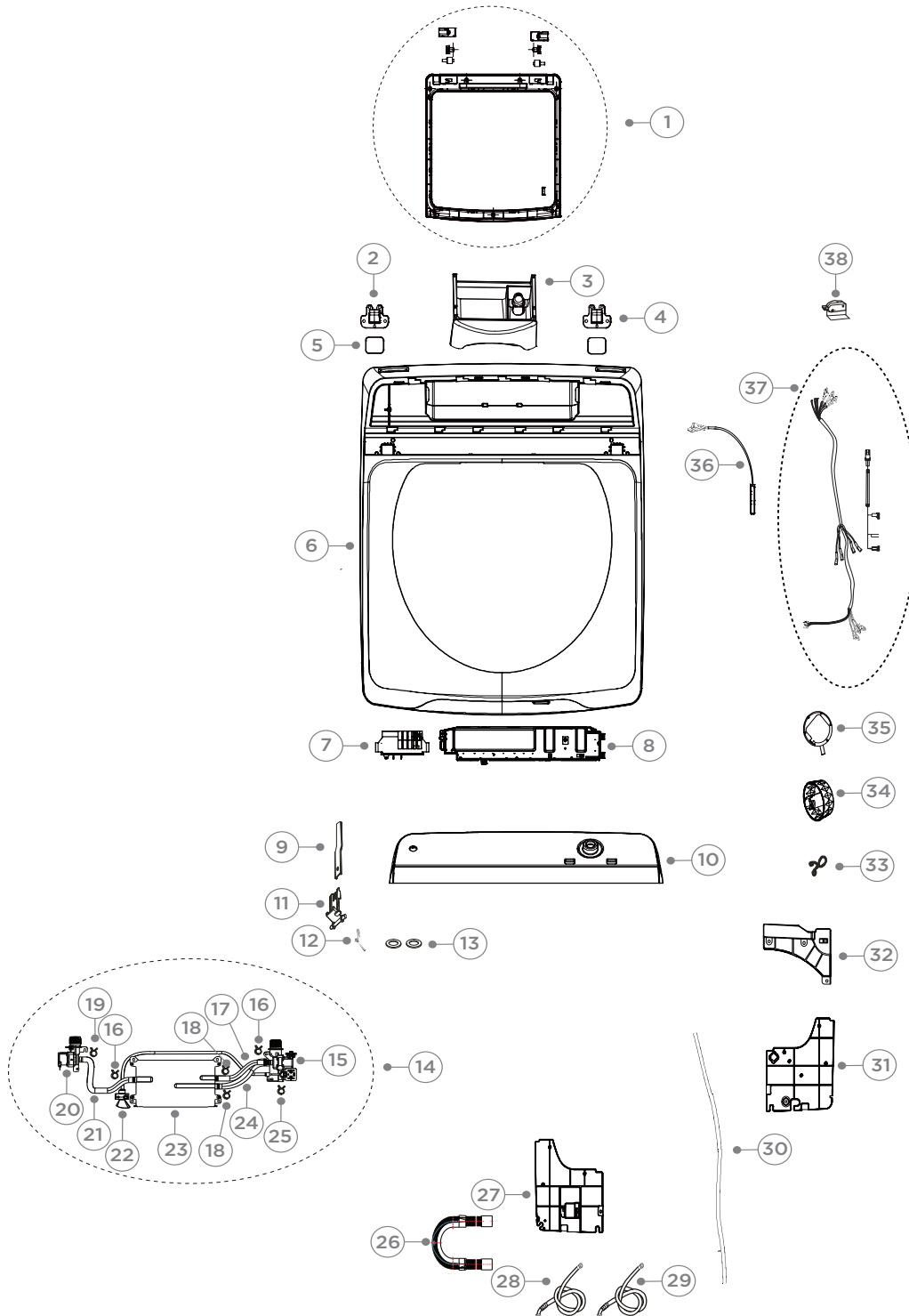
NZ

tel: 09 273 0600
fax: 09 273 0656
e-mail: nz.customer@fisherpaykel.com
www.fisherpaykel.com/nz

AU

tel: 07 3826 9100
fax: 07 3826 9164
e-mail: aus.customer@fisherpaykel.com
www.fisherpaykel.com/au

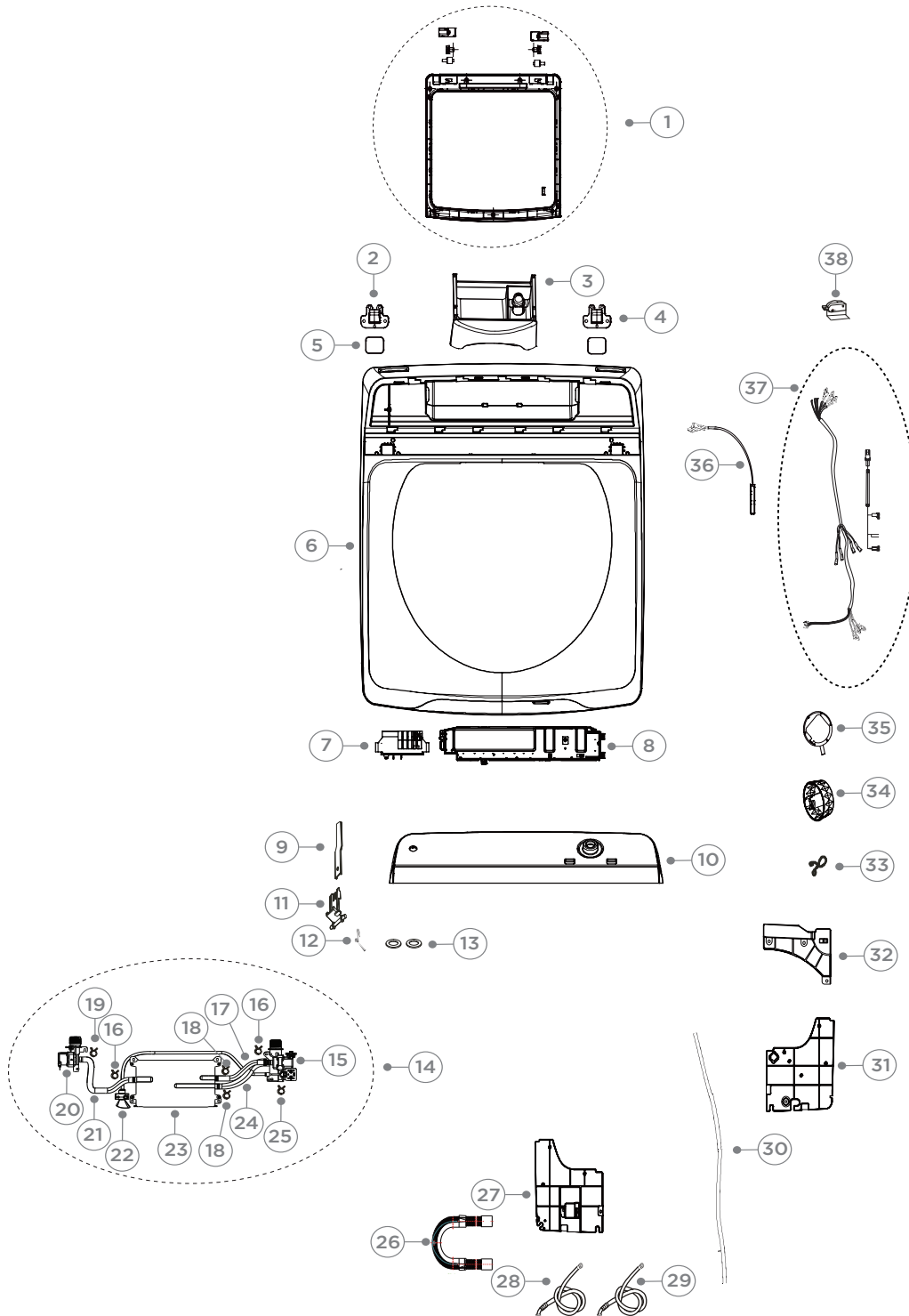
TOP CONSOLE COMPONENTS



TOP CONSOLE COMPONENTS

REFERENCE	PART NUMBER	PART DESCRIPTION
1	H0030813016P	LID
2	H0030101737	HINGE LID LH
3	H0030814364	DETERGENT DISPENSER
4	H0030101738	HINGE LID RH
5	H0030300737	HINGE GASKET
6	H0030208147A	TOP DECK
7	H0034001068A	DOOR LOCK
8	H0031800389	DISPLAY BOARD
9	H0030206513	LEVER OUT OF BALANCE
10	H0030813085AB	CONTROL PANEL
11	H0030206511	BRACKET OOB ASSY
12	H00330603004	SPRING OUT OF BALANCE
13	H00330103014	GASKET WATER INLET
14	H0030814201A	INLET VALVE ASSEMBLY 7 8 9 KG
15	H0034001119A	VALVE INLET COLD
16	H0030100854	CLAMP INLET TUBE DETERGENT
17	H0030300886	HOSE COLD SOFTENER
18	H0030100857	CLAMP INLET TUBE COLD
19	H0030100320A	CLAMP INLET HOSE HOT
20	H003400570A	VALVE HOT INLET
21	H0030300885	HOSE HOT
22	H0030213806	SPRAY NOZZLE
23	H0030814187B	DISPENSER TANK
24	H0030300887	HOSE COLD DETERGENT
25	H0030100700	CLAMP INLET TUBE SOFTENER
26	H0030806881C	GUIDE HOSE DRAIN
27	H0030208156	SPLASH SHIELD LHF
28	H0030802834A	HOSE INLET COLD
29	H0030802835A	HOSE INLET HOT
30	H0030201143K	PRESSTUBE 8MM X 740 MM
31	H0030208155	SPLASH SHIELD RHF
32	H0030208113	SPLASH SHIELD RH BACK
33	H00330602003A	CLAMP PRESSURE TUBE HOSE
34	H0030209305A	KNOB

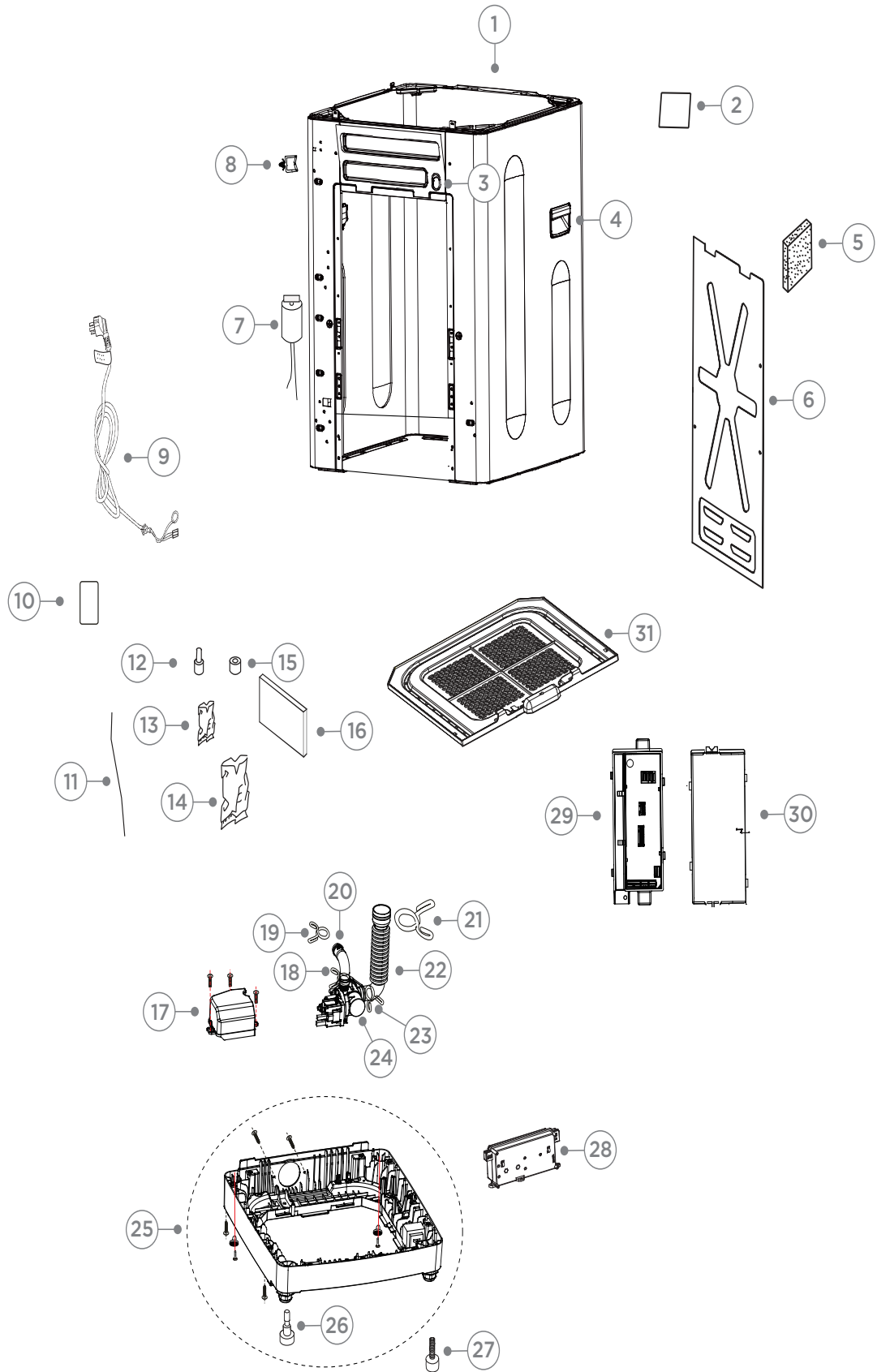
TOP CONSOLE COMPONENTS



TOP CONSOLE COMPONENTS

REFERENCE	PART NUMBER	PART DESCRIPTION
35	H0034001009H	SENSOR WATER LEVEL
36	H0034000405H	REED SWITCH
37	H0030400849F	WIRING HARNESS
38	H00330503062	SWITCH OUT OF BALANCE

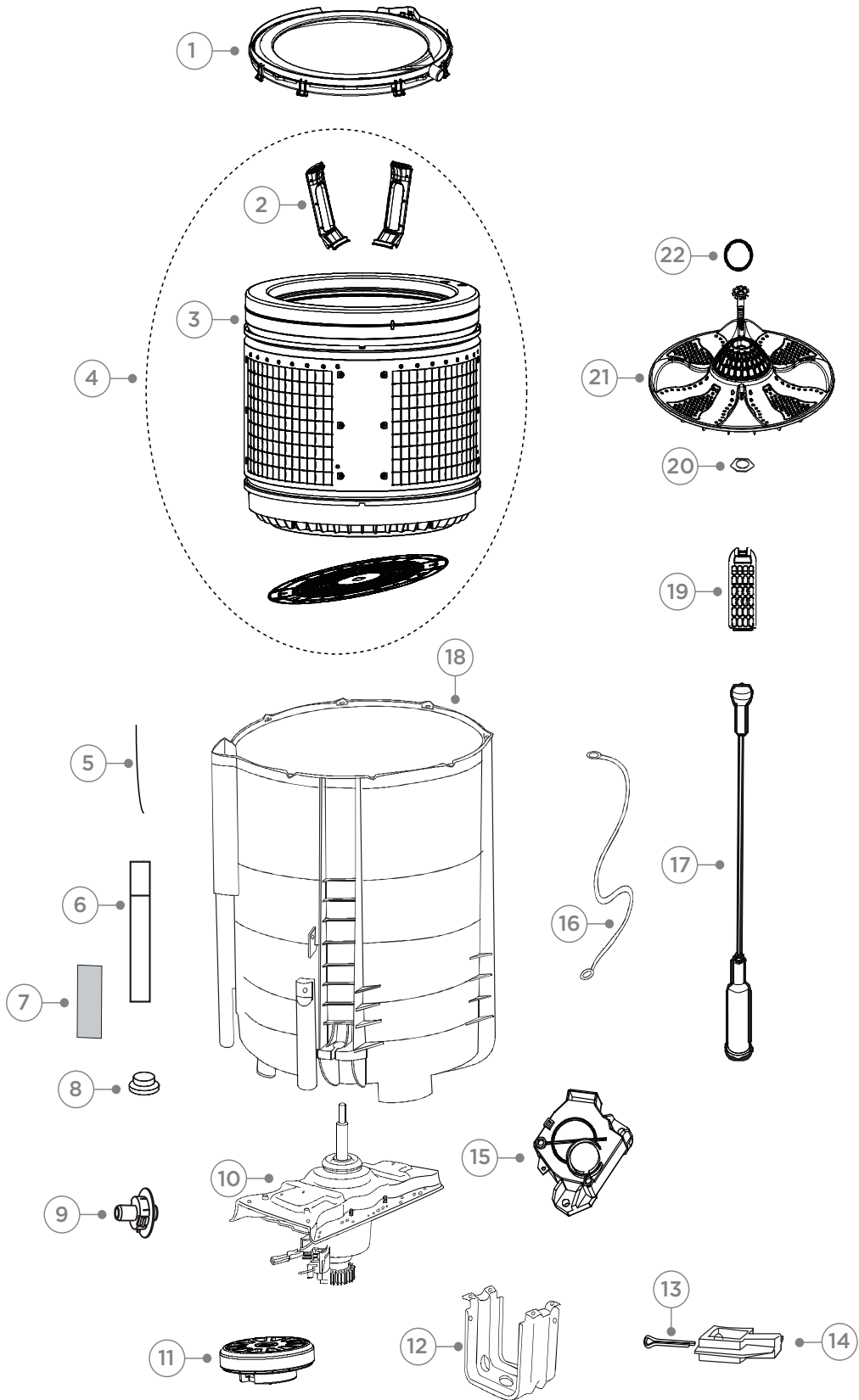
CABINET COMPONENTS



CABINET COMPONENTS

REFERENCE	PART NUMBER	PART DESCRIPTION
1	H0030813218A	CABINET
2	H0030204065	PAD FELT
3	H0030208194A	HOOK
4	H0030207316E	HANDLE CABINET
5	H00330104007C	CABINET BUFFER
6	H0030100432	PANEL BACK COVER
7	H0034001123	FILTER EMI
8	H0030204004	HOLDER MAINS CORD
9	H0030400126A	MAINS CABLE
10	H0030204065	PAD FELT
11	H00340821013	CABLE TIE
12	H0030205313	BUSH B
13	H0030508588H	BAG PROTECTION
14	H0030508588G	SAFEGUARD BAG
15	H0034000872	RING MAGNET
16	H00330104012A	GASKET BUFFER
17	H0030209748	PUMP COVER
18	H0030100132	CLAMP HOSE DRAIN
19	H00218210220611A	HOSE CLIP PUMP AND CABINET
20	H0030301006	HOSE PUMP TO CABINET
21	H0030100046A	CLAMP HOSE TUB TO PUMP
22	H0030301012	HOSE TUB TO PUMP
23	H0030100043	CLAMP PUMP INNER DRAIN
24	H0034001125A	PUMP
25	H0030814786D	BOTTOM BASE ASSY
26	H0030300687	FOOT FIXED
27	H0030811477	FOOT ADJUSTABLE
28	H0031800098CZZ	MOTOR CONTROLLER
29	H0031800198D	POWER BOARD
30	H0030819717	POWER BOARD COVER
31	H0030209144	BASE PLATE

BOWLS & MOTOR COMPONENTS



DWG005738

BOWLS & MOTOR COMPONENTS

REFERENCE	PART NUMBER	PART DESCRIPTION
1	H0030206979A	NECK RING 8, 9 KG
2	H0030213309A	FILTER COVER
3	H0030811714B	INNER BOWL HWT
4	H0030812640L	INNER BOWL ASSY HWT
5	H00221120021000	BINDING WIRE
6	H0030209357	OVERFLOW PIPE
7	H0030204065	PAD FELT
8	H00330101020	COVER AIR BELL
9	H0030200631A	DRAIN CONNECTOR
10	H0030801895	TRANSMISSION
11	H0034001033	MOTOR
12	H0030101030	SHIELD
13	H0030600184	ROD CONNECTING
14	H0030201240	ARM DRAIN MOTOR
15	H0030814201A	ACTUATOR BRAKE
16	H0030400735	EARTH WIRE
17	H0030813660	SUSPENSION ROD 8, 9KG
18	H0030209964A	OUTER TUB 8, 9 KG
19	H0030811660C	FILTER
20	H00330303005	GASKET PULSATOR
21	H0030207571B	PULSATOR
22	H0030202331R	PULSATOR CAP

www.fisherpaykel.com

© Fisher & Paykel Appliances 2021. All rights reserved.

The models shown in this guide may not be available in all markets and are subject to change at any time.

The product specifications in this guide apply to the specific products and models described at the date of issue. Under our policy of continuous product improvement, these specifications may change at any time.

For current details about model and specification availability in your country, please go to our website or contact your local Fisher & Paykel dealer.

PRODUCT CODE: 62348-A 03.21