

# **PARTS MANUAL**

**Front Load Washing Machine**

HWF70BW1 HA AA

Product Code  
**62346-A**

AU NZ

# **Haier**

# CONTENTS

---

INTRODUCTION	2
CONSOLE COMPONENTS	3
CABINET COMPONENTS	5
DOOR COMPONENTS	7
TUB & MOTOR COMPONENTS	9

# INTRODUCTION

---

<b>BRAND</b>	<b>VOLTAGE</b>	<b>MODEL</b>	<b>PRODUCT CODE</b>
Fisher & Paykel	220-240 50Hz	HWF70BW1 HA AA	62346-A

---

## MODELS

The models covered by this manual are listed on the front cover. The information detailed in this manual is subject to change without notice. The latest version is indicated by the reprint date and replaces any earlier editions.

## KIT PARTS

Where a part number is shown against the descriptions for these kit components, they are also available as separate items. In addition, some parts may be supplied with these kits that are not available as separate items, and are therefore either not listed, or a part number is not shown against the part description in this manual.

## PARTS LIST KEY

<b>NI</b>	As a part reference, indicates the part is not illustrated on the diagram.
<b>NOT USED</b>	As a part number, indicates the diagram part reference is not used in this manual.
<b>NS</b>	As a part number, indicates the part is not servicable.

---

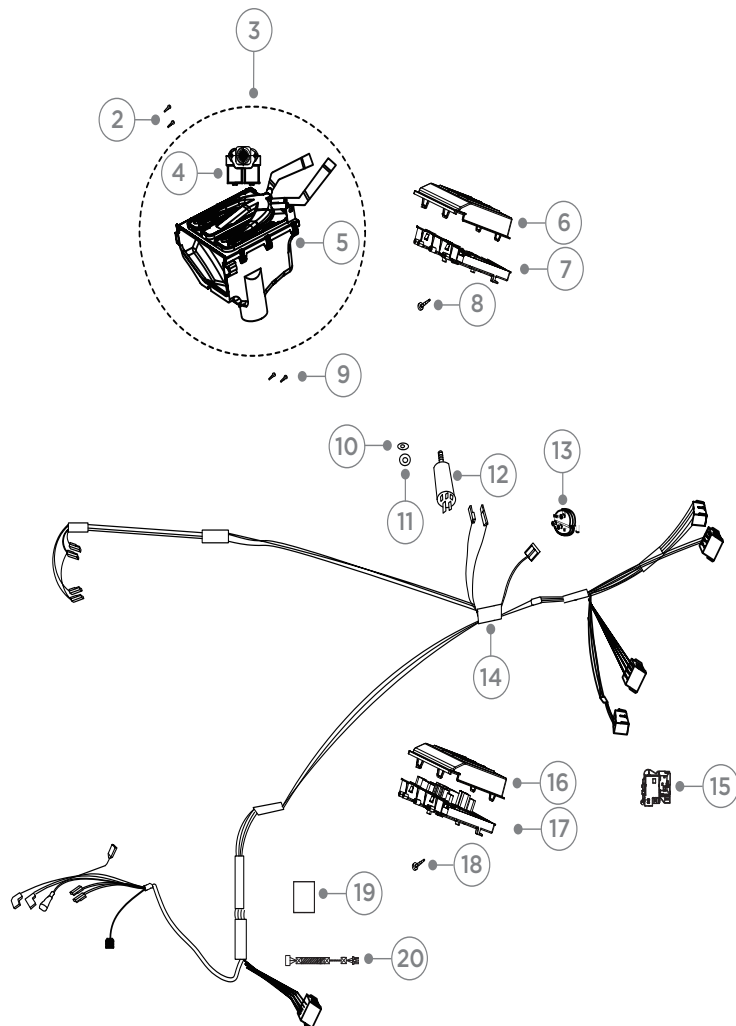
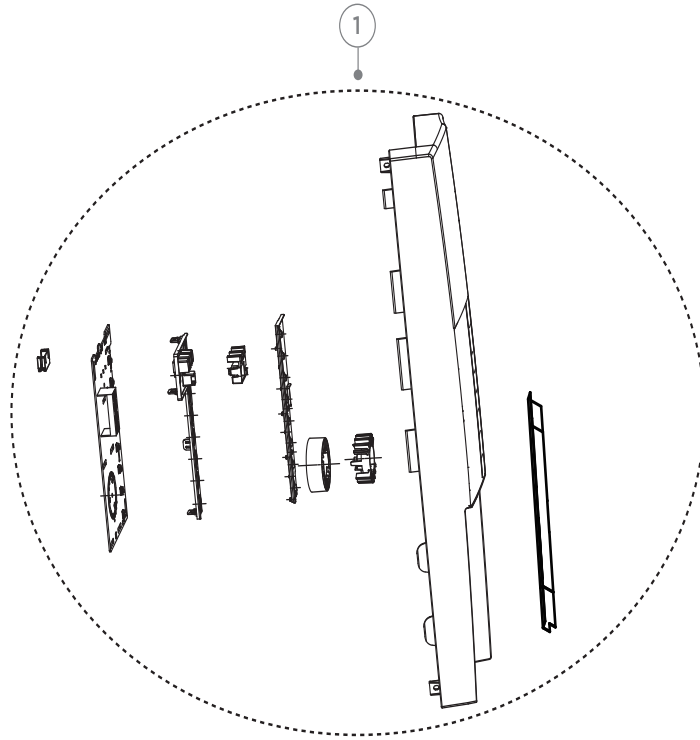
## NZ

tel: 09 273 0600  
fax: 09 273 0656  
e-mail: nz.customercare@fisherpaykel.com  
www.fisherpaykel.com/nz

## AU

tel: 07 3826 9100  
fax: 07 3826 9164  
e-mail: aus/customercare@fisherpaykel.com  
www.fisherpaykel.com/au

# CONSOLE COMPONENTS

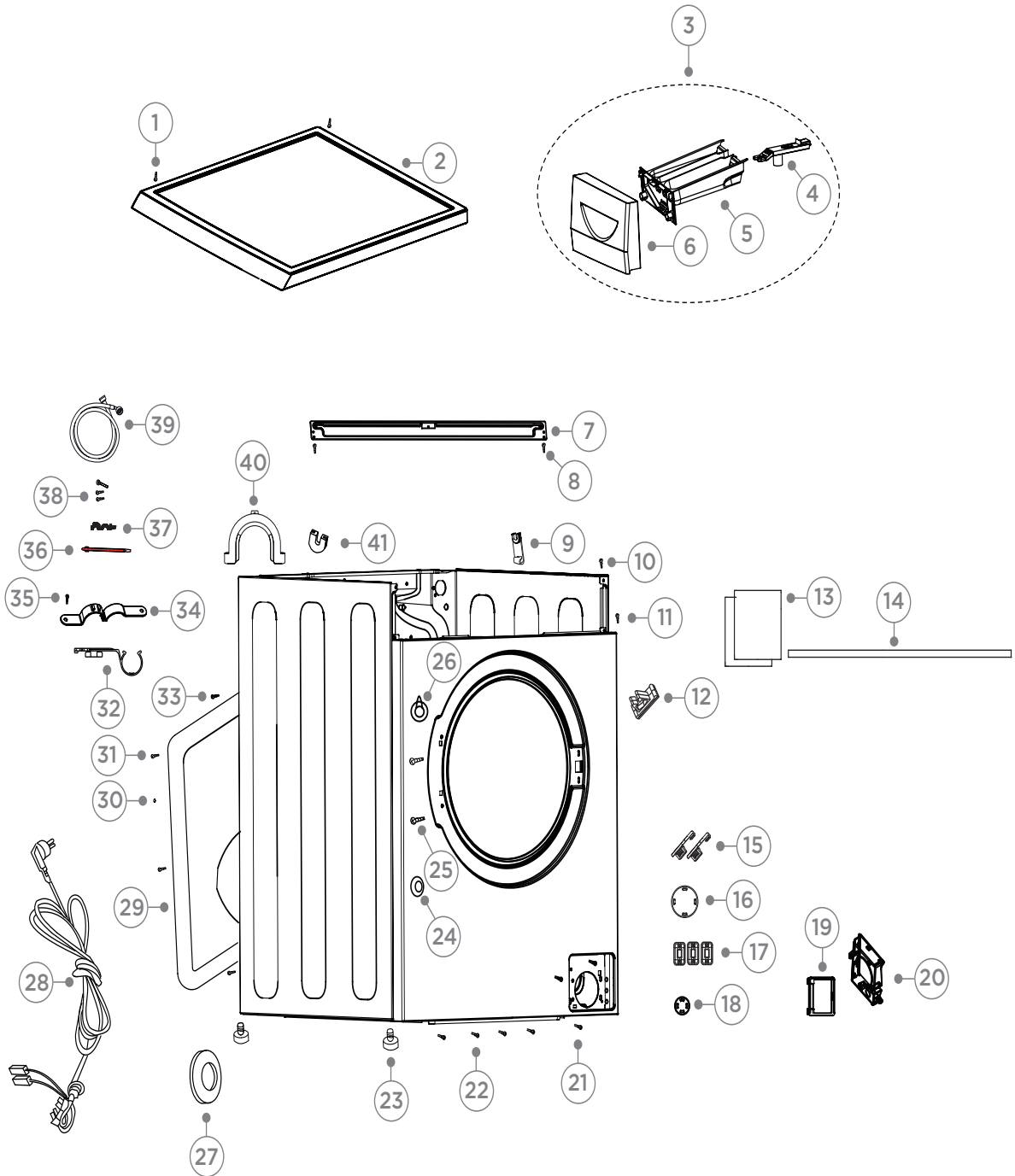


DWG 005426

## CONSOLE COMPONENTS

REFERENCE	PART NUMBER	PART DESCRIPTION
1	H0020808905CP	DISPLAY PANEL ASSY
2	H00216920110008A	SCREW
3	H0020805732AS	WATER TANK ASSY
4	H0024000126B	VALVE INLET DUAL COLD
5	H0020805732AT	DISPENSER HOUSING
6	H0020205561	COVER POWER BOARD
7	H0021800151	POWER BOARD
8	H00330802004A	SCREW
9	H00330810010	SCREW
10	H00215000000001A	NUT
11	H00217440540612	WASHER RFI FILTER
12	H0024000247S	SUPRESSOR INTERFERENCE
13	H0024000399AB	PRESSURE SWITCH
14	H0020400462AC	WIRING HARNESS
15	H0024000324	LOCK ASSY DOOR
16	H0020205541	COVER MOTOR CONTROLLER
17	H0021800035X	DRIVER BOARD
18	H00330802004A	SCREW
19	H0030508588F	SAFEGUARD YELLOW CLOTH
20	H0020400087Q	WIRING HARNESS

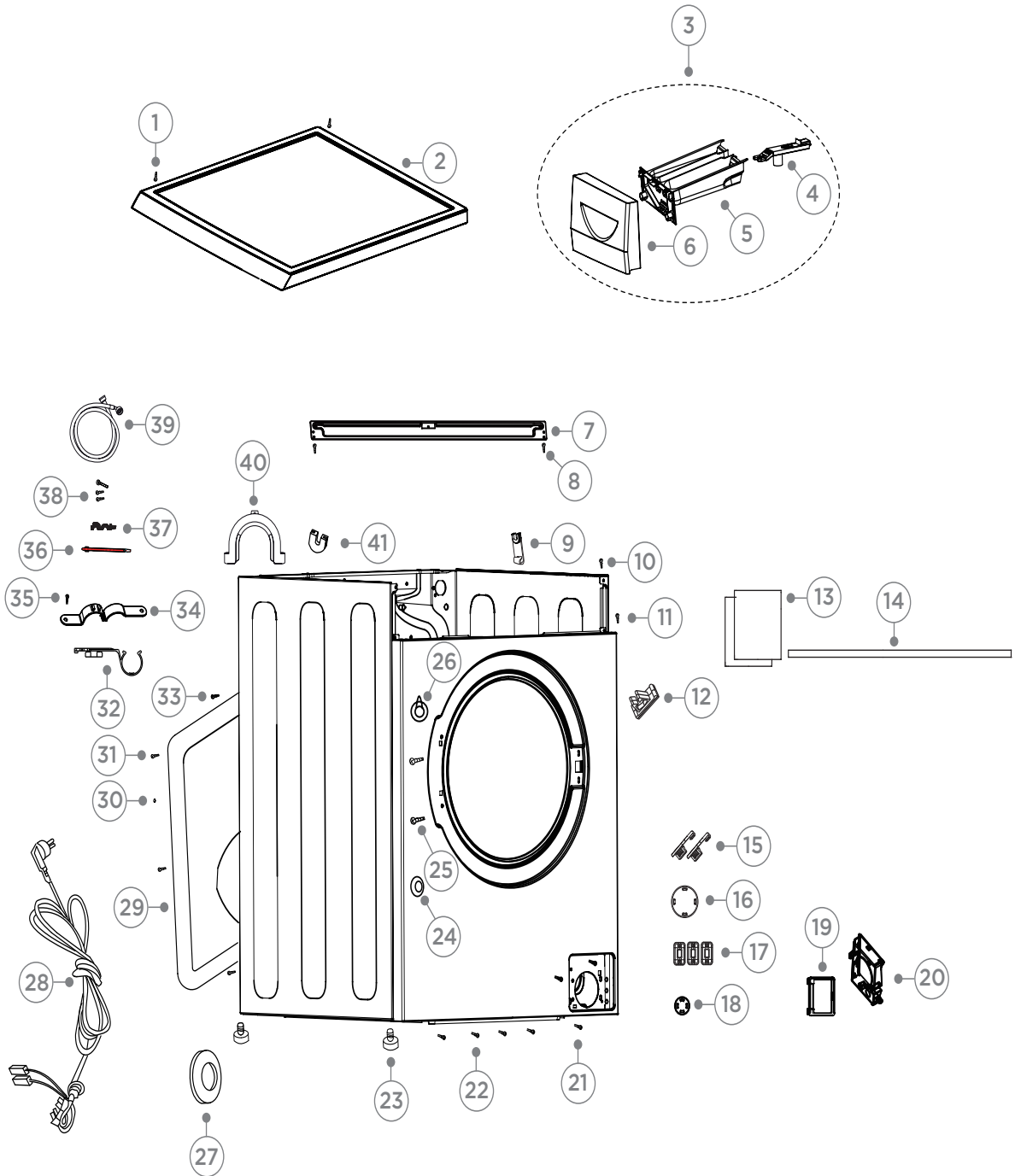
# CABINET COMPONENTS



## CABINET COMPONENTS

REFERENCE	PART NUMBER	PART DESCRIPTION
1	H00216910320111A	SCREW
2	H0020807969B	TOP COVER
3	H0020810354AN	DISPENSER ASSY
4	H0020203198A	INSERT SOFTENER SYPHON
5	H0020203202	DISPENSER ASSY
6	H0020507834AR	DISPENSER HANDLE
7	H0020103067A	BRACKET FRONT
8	H00216910320111A	SCREW
9	H0020203391	BRACKET RH SUSPENSION SPRING
10	H0020600491	GUIDE TOP COVER
11	H0020600179	BOLT
12	H0040202557	WIRING CLIP
13	H0020300932	CUSHION CABINET
14	H00212500375104	GASKET INNER COVER TO GLASS
15	H0020204827	SUSPENSION SPRING RETAINER
16	H0020204933	SHOCK ABSORBER FIXED SETS
17	H0020206042	BLANKING CAP
18	H0020205208	BLANKING CAP
19	H0020203116A	FILTER DOOR HWM
20	H0020203118A	TRIM DOOR INSERT HWM
21	H0020600027B	SCREW M3.5
22	H0020600179	BOLT
23	H0020300170G	FOOT
24	H0020202843	GUIDE LATCH UPPER
25	H0020600357	SCREW
26	H0020202844	GUIDE LATCH LOWER
27	H0020204516	DRAIN HOSE HOLDER
28	H0020400196FD	POWER CORD
29	H0020808584A	BACK PANEL
30	H00214800021100	DOOR CLAMP NUT NYLON

# CABINET COMPONENTS



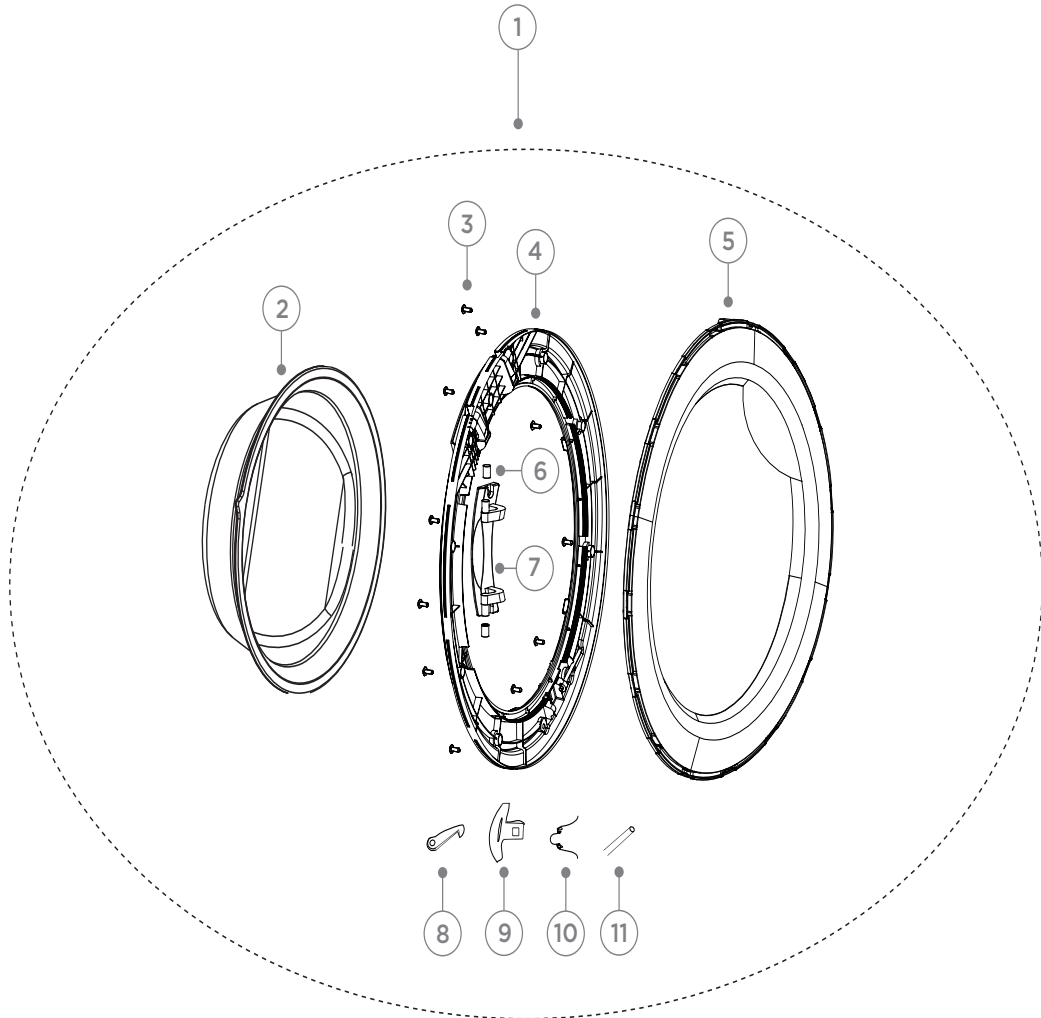


## CABINET COMPONENTS

REFERENCE	PART NUMBER	PART DESCRIPTION
31	H02-0085104006	SCREW
32	H00215200042604	HOSE CLAMP
33	H00216910320111A	SCREW
34	H0020202937	BRACKET DRAIN HOSE
35	H0020600093A	SCREW
36	H00297022120100	CLAMP PANDUIT
37	H0024000429A	WASHER
38	H0020600179	BOLT
39	H0020300158A	HOSE INLET AW COLD
40	H00221123015002	BRACKET DRAIN HOSE
41	H00214800503000	SUPPORT SPRING

# DOOR COMPONENTS

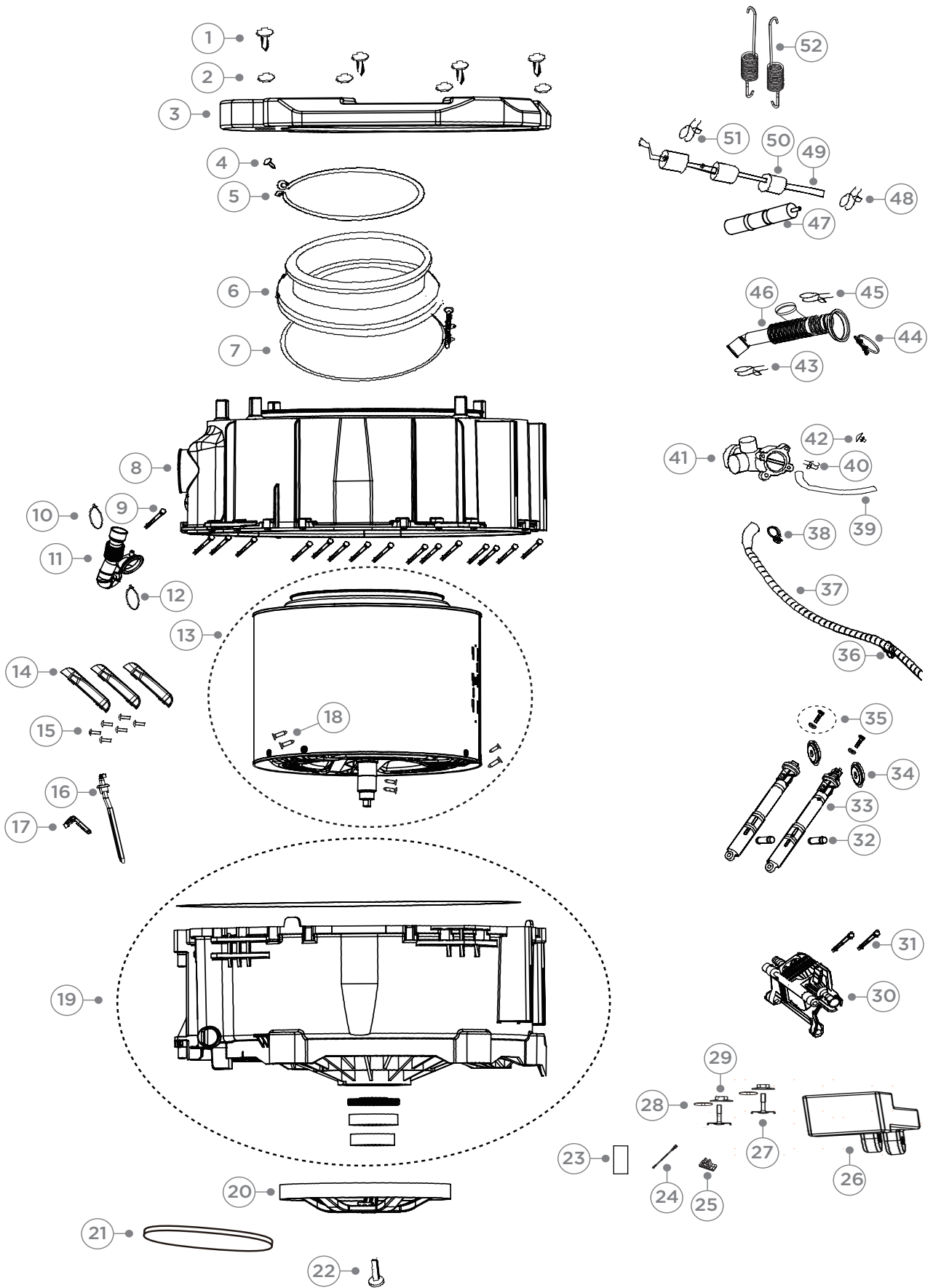
---



## DOOR COMPONENTS

REFERENCE	PART NUMBER	PART DESCRIPTION
1	H0020806181AM	DOOR ASSY FL WASHER
2	H0021400015	PORTHOLE DOOR
3	H00330810009	SCREW SELF TAPPING
4	H0020203115A	FRAME INNER SIGHT GLASS
5	H0020203107A	DOOR GLASS OUTER FRAME
6	H0020102643	HINGE HWM
7	H0020201212	CAP HINGE
8	H0020102759	HOOK DOOR LOCK
9	H0020203117A	DOOR HANDLE
10	H0020102723A	SPRING DOOR LOCK
11	H00215200024102	SHAFT DOOR LOCK

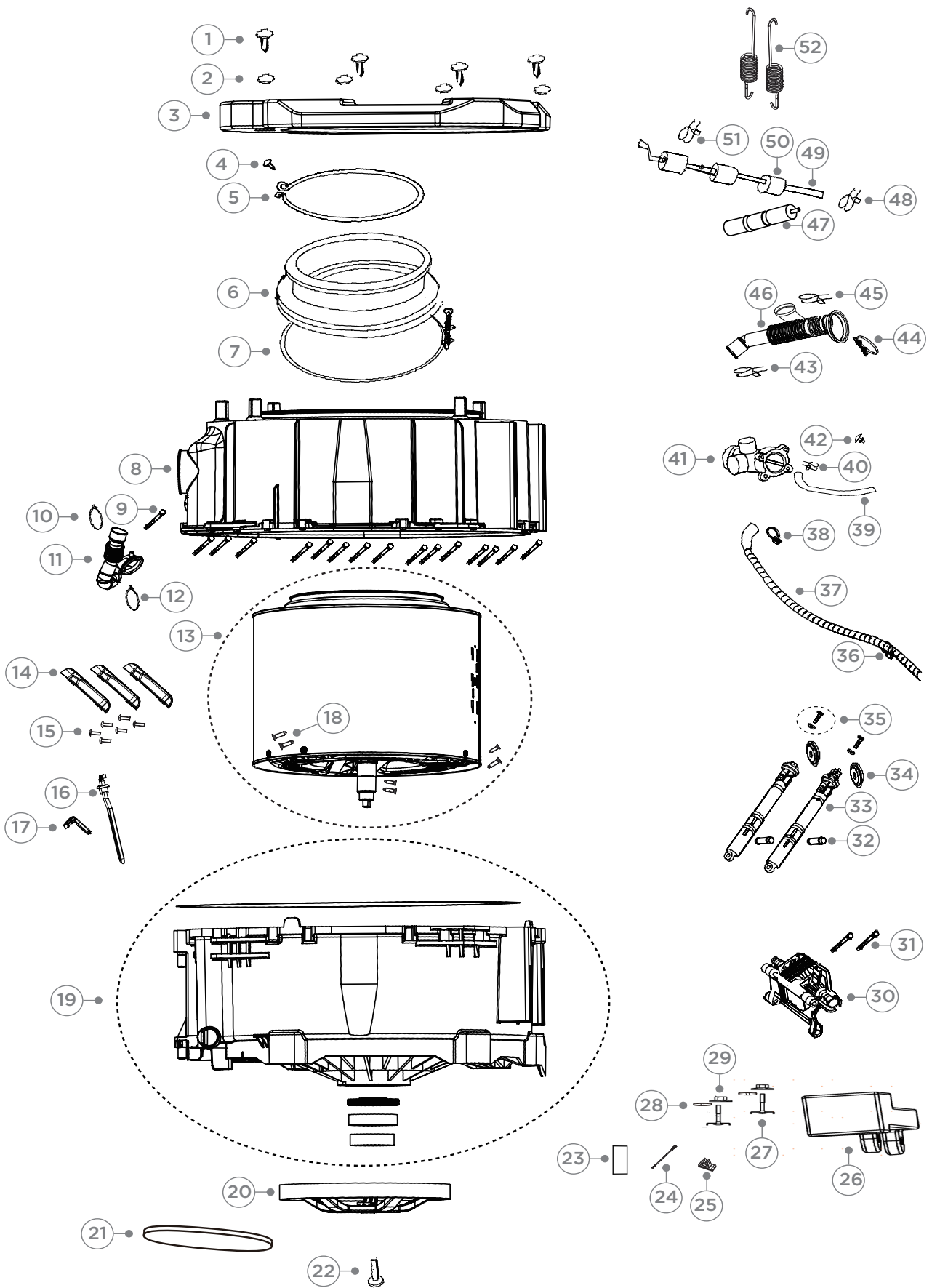
# TUB & MOTOR COMPONENTS



## TUB & MOTOR COMPONENTS

REFERENCE	PART NUMBER	PART DESCRIPTION
1	H0020600285	BOLT COUNTERWEIGHT
2	H0020600147A	WASHER COUNTER WEIGHT
3	H0020300589C	COUNTERWEIGHT FR LOWER
4	H00215100000200	SCREW
5	H0020600081	CLAMP DOOR BELLOWS
6	H0020300590D	BELLOWS
7	H0020600211	CLAMP TUB BELLOWS
8	H0020203176E	TUB FRONT 7KG
9	H00215100001000	SCREW
10	H00218230550611	CLIP DISPENSOR HOSE
11	H0020300594	HOSE DISPENSER TUB
12	H00211320018800A	CLAMP 43 TUB DISPENSER
13	H0020812005	INNER DRUM ASSY
14	H0020205687	DRUM VEIN
15	H0020600029	SCREW
16	H0024000279D	HEATING ELEMENT
17	H0020100432	BRACKET HEATER
18	H00215000036000	SCREW
19	H0020807160X	REARTUB ASSY
20	H0020100615	PULLEY
21	H0020300592	BELT
22	H00215000014000B	BOLT PULLEY
23	H0020301424A	FLAMEPROOF FABRIC
24	H0020400560H	EARTH WIRE
25	H0020205740	FIXED CABLE CLIP
26	H0020300344K	COUNTER WEIGHT UPPER
27	H0020600360	BOLT M8 55
28	H00217600790008A	WASHER
29	H00221152310002A	NUT
30	H0024000389CA	MOTOR

# TUB & MOTOR COMPONENTS



## TUB & MOTOR COMPONENTS

REFERENCE	PART NUMBER	PART DESCRIPTION
31	H00215100001000	SCREW
32	H0020205577	PIN SHOCK ABSORBER
33	H0020600213	SHOCK ABSORBER
34	H00215000035200	WASHER STEEL
35	H0020600358	BOLT SHOCK ABSORBER
36	H00215200004402	CLIP PRESSURE TUBE
37	H0020300148	HOSE DRAIN
38	H0020600050A	CLAMP HOSE VALVE
39	H0020300379A	HOSE PUMP DRAIN
40	H0020600271	HOSE CLAMP
41	H0022150033660401D	PUMP FL WM
42	H0020203918	CAP DRAINING HOSE
43	H0020600050A	CLAMP HOSE VALVE
44	H00297023000100A	CLAMP TUB DRAIN HOSE
45	H00215200294400A	CLAMP PUMP INNER HOSE
46	H0020300387A	HOSE TUB PUMP
47	H0020202906	AIR BELL
48	H00211320015200A	CLIP
49	H0020300430A	HOSE DISPENSER TUB
50	H00212500011100	SPONGE PROTECTOR PRESSURE TUBE
51	H00218210650611A	CLIP
52	H0020600214	SPRING SUSPENSION

[www.fisherpaykel.com](http://www.fisherpaykel.com)

© Fisher & Paykel Appliances 2020. All rights reserved.  
The product specifications in this document apply to the specific products and models described at the date of issue. Under our policy of continuous product improvement, these specifications may change at any time. You should therefore check with your Dealer to ensure this document correctly describes the product currently available.

**AU NZ**

**PRODUCT CODE: 62346-A 02.20**