

PARTS MANUAL

Top Load Washing Machine

HWM130186S HA FJ

Product Code
62344-A

FJ

Haier

CONTENTS

INTRODUCTION	2
TOP DECK & CONSOLE COMPONENTS	3
CABINET & SPIN TUB COMPONENTS	5
BASE & MOTOR COMPONENTS	7

INTRODUCTION

BRAND	VOLTAGE	MODEL	PRODUCT CODE
Fisher & Paykel	220-240 50Hz	HWM130186S HA FJ	62344-A

MODELS

The models covered by this manual are listed on the front cover. The information detailed in this manual is subject to change without notice. The latest version is indicated by the reprint date and replaces any earlier editions.

KIT PARTS

Where a part number is shown against the descriptions for these kit components, they are also available as separate items. In addition, some parts may be supplied with these kits that are not available as separate items, and are therefore either not listed, or a part number is not shown against the part description in this manual.

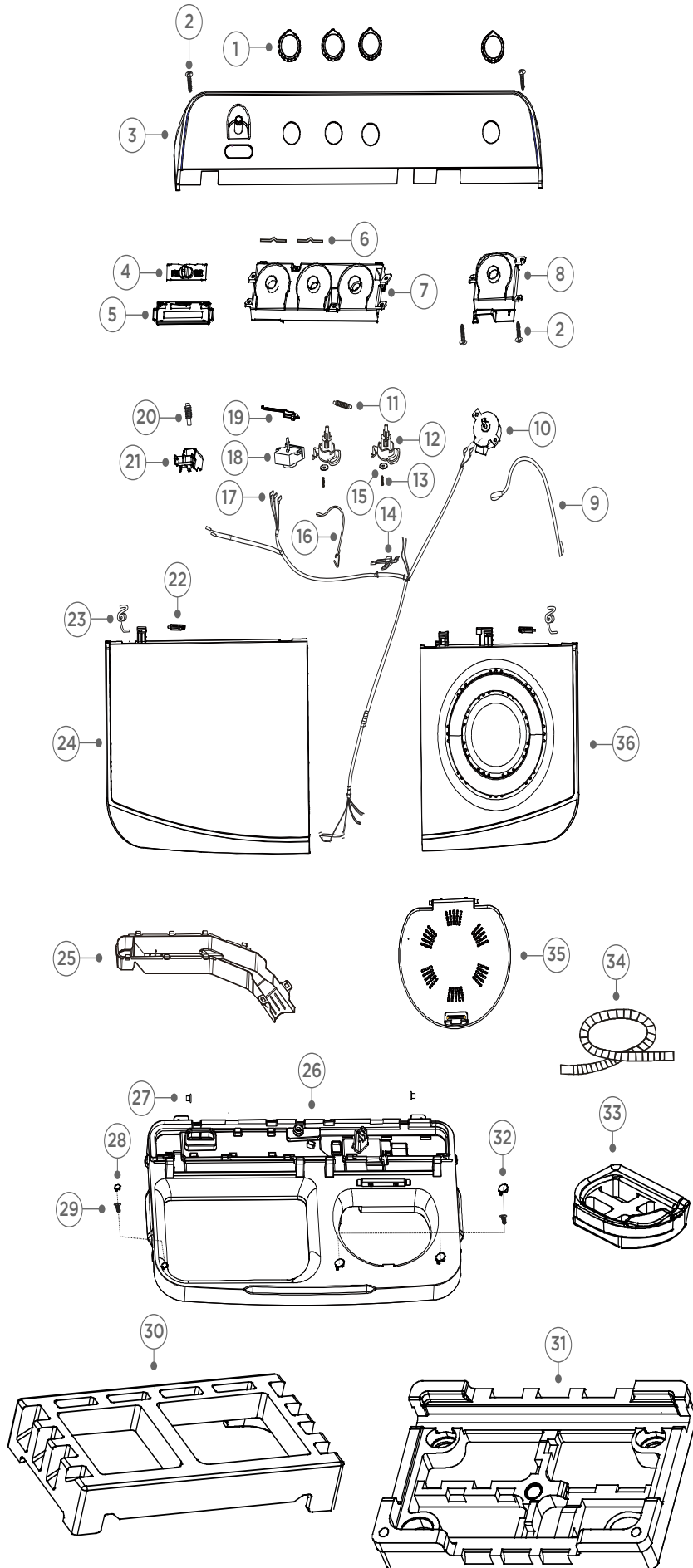
PARTS LIST KEY

NI	As a part reference, indicates the part is not illustrated on the diagram.
NOT USED	As a part number, indicates the diagram part reference is not used in this manual.
NS	As a part number, indicates the part is not servicable.

NZ

tel: 09 273 0600
fax: 09 273 0656
e-mail: nz.customercare@fisherpaykel.com
www.fisherpaykel.com/nz

TOP DECK & CONSOLE COMPONENTS

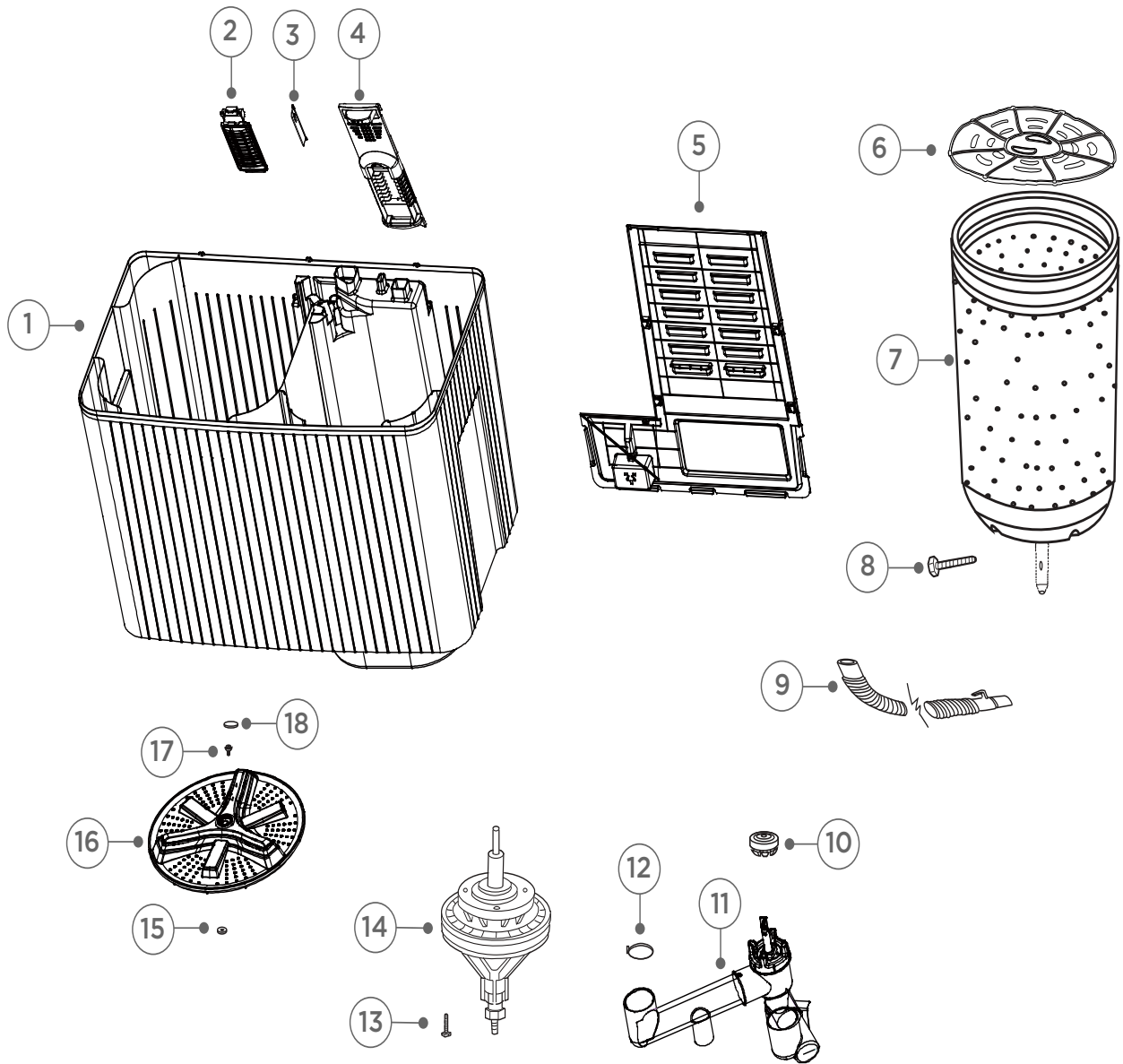


DWG005151

TOP DECK & CONSOLE COMPONENTS

REFERENCE	PART NUMBER	PART DESCRIPTION
1	H0030209909A	KNOB
2	H00330802005A	SCREW
3	H0030512603G	CONTROL PANEL
4	H0030207111	HANDLE WATER CONTROL
5	H0030207132	SUPPORT
6	H00330312502	SPRING POSITION
7	H0030209849	SUPPORT WASH
8	H0030209850	SUPPORT SPIN
9	H0030210513	BRAKE PULL BACK
10	H0034000717B	TIMER
11	H00330603505	SPRING PULL BACK
12	H00330109018	CAM SELECTOR WASH
13	H00330802025A	SCREW FASTENING
14	H00330503500B	SWITCH MICRO
15	H00330101096	WASHER GASKET
16	H0030814787	BAND PULL BACK
17	H0030400517AW	WIRING HARNESS
18	H00330501013	TIMER SPIN
19	H00330101095	ROD CONNECTING
20	H0030203170	HOSE WATER INLET
21	H0030207112	SLIDING BLOCK
22	H0030206423	SHAFT TOP LID
23	H00330603008	SPRING SPIN TUB LID
24	H0030814557B	WASH TUB COVER
25	H0030210030	WATER CHANNEL
26	H0030209880	TOP DECK
27	H0030206422	SLEEVE
28	H0030210057	HOSE CLIP
29	H00330810033	SCREW CS 17 ST4 X 14
30	H0030512610	GASKET
31	H0030813410	GASKET BOTTOM
32	H0030210058	HOSE CLIP
33	H0030512611	INNER COVER
34	H00330009023	INLET HOSE
35	H0030814558C	SPIN TUB COVER
36	H0030209851	INNER COVER

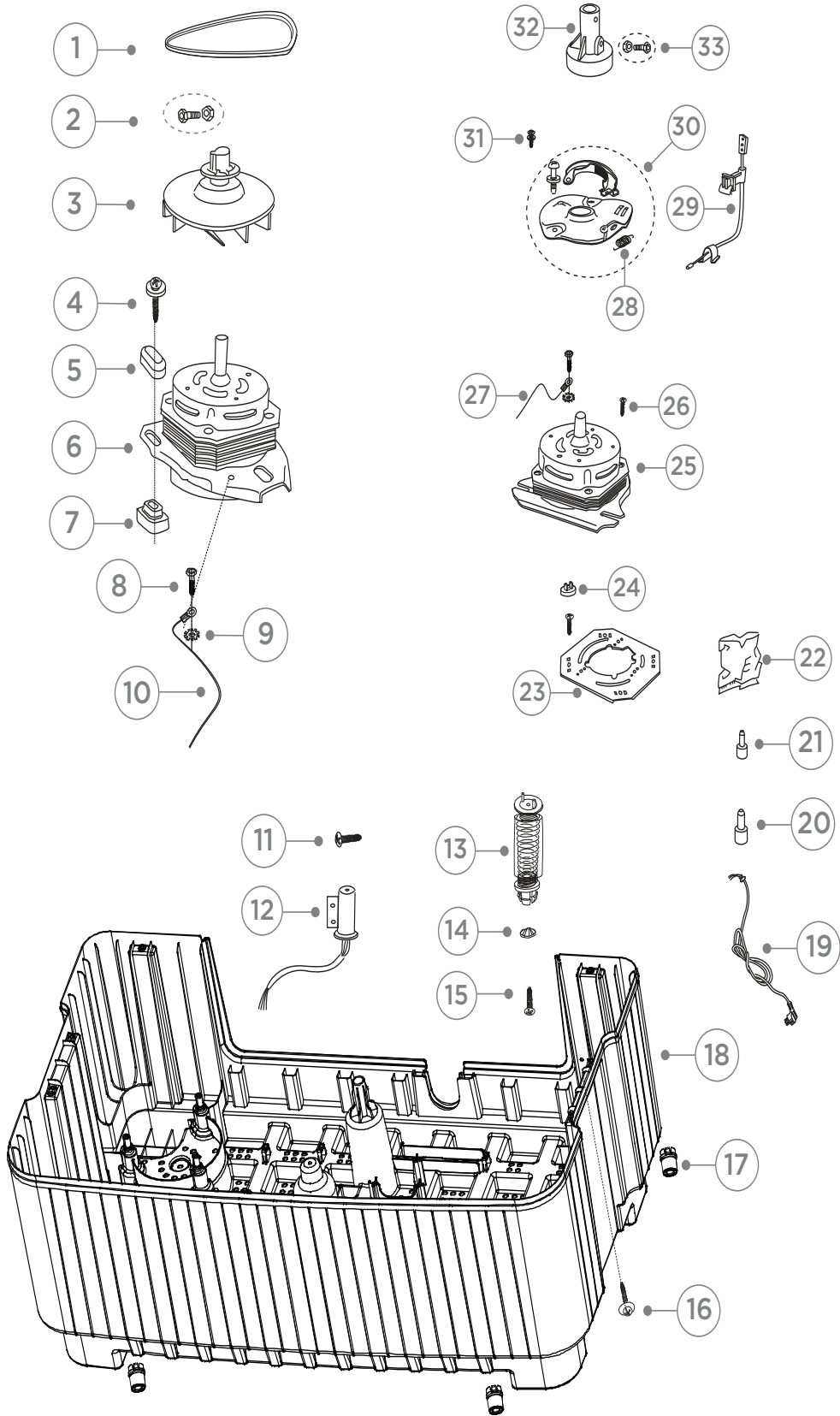
CABINET & SPIN TUB COMPONENTS



CABINET & SPIN TUB COMPONENTS

REFERENCE	PART NUMBER	PART DESCRIPTION
1	H0030208640A	CABINET
2	H0030812177A	LINT FILTER
3	H0030207131	BOARD
4	H0030207110A	OVERFLOW FILTER
5	H0030208642A	BACK COVER
6	H0030207370	INSERT SPIN BASKET GLAND
7	H0030814470	SPIN TUB
8	H0030600196	SCREW FASTENING
9	H0030806105B	DRAIN HOSE
10	H00330041006	BEARING SPIN TUB
11	H0030812198	DRAIN VALVE
12	H00330201053	COVER DRAIN VALVE
13	H00330802062A	SCREW FASTENING
14	H0030805911	GEARBOX
15	H00330303028	COVER PULSATOR
16	H0030813416	PULSATOR
17	H00330057500	BOLT ASSEMBLY PULSATOR
18	H0030202331	COVER AGITATOR
NI	H0030515895A	NAMEPLATE

BASE & MOTOR COMPONENTS



BASE & MOTOR COMPONENTS

REFERENCE	PART NUMBER	PART DESCRIPTION
1	H0030800562	BELT
2	H00330812061A	BOLT & NUT LOCKING
3	H0030100892A	PULLEY
4	H00330802514A	SCREW MOTOR MOUNTING
5	H00330206505	BUSH UPPER
6	H0034000437	WASH MOTOR
7	H00330206504	BUSH LOWER
8	H00330804001	SCREW EARTHING
9	H00330502089A	EARTH WIRE
10	H00330806003	WASHER STAR
11	H00330802005A	SCREW
12	H0034200064	CAPACITOR
13	H0030812328	SPRING DAMPING
14	H0030200752	WASHER EXPANDING
15	H00330802017A	SCREW DAMPENER
16	H00330802069A	SCREW
17	H0030208590	FOOT TWIN TUB
18	H0030208641	BASE FRAME
19	H0030400309B	CORD MAINS
20	H00330105503	BUSH A
21	H00330105504	BUSH B
22	H0030508588R	SAFEGUARD BAG
23	H00330301130	BRACKET MOUNTING
24	H00333101008	PAD SHOCK LOWER
25	H0034001073	SPIN MOTOR
26	H00330812071	SCREW
27	H0030400670	EARTH WIRE
28	H0030101895	PULL BACK SPRING
29	H00330028004A	BRAKE HINGE
30	H0030812401	BRAKE PAN ASSY
31	H00330812043B	SCREW TAPPING
32	H0030812413A	BRAKE WHEEL
33	H00330812061A	BOLT & NUT LOCKING

www.fisherpaykel.com

Copyright © Fisher & Paykel 2019. All rights reserved.
The product specifications in this manual apply to the specific model described at the date of issue. Under our policy of continuous product improvement, these specifications may change at any time. Only use this manual if the product code on the front matches the product code on the serial label of the product.

FJ

PRODUCT CODE: 62344-A 05.19