

PARTS MANUAL

Front Load Washing Machine

HWF10DW1 HA AA

Product Code
62343-A

AU NZ

Haier

CONTENTS

INTRODUCTION	2
CONSOLE COMPONENTS	3
PUMP COMPONENTS	5
BELLOWS & FLUSH DOOR COMPONENTS	7
CABINET COMPONENTS	9
DOOR COMPONENTS	11
TUB & MOTOR COMPONENTS	13

INTRODUCTION

BRAND	VOLTAGE	MODEL	PRODUCT CODE
Fisher & Paykel	220-240 50Hz	HWF10DW1 HA AA	62343-A

MODELS

The models covered by this manual are listed on the front cover. The information detailed in this manual is subject to change without notice. The latest version is indicated by the reprint date and replaces any earlier editions.

KIT PARTS

Where a part number is shown against the descriptions for these kit components, they are also available as separate items. In addition, some parts may be supplied with these kits that are not available as separate items, and are therefore either not listed, or a part number is not shown against the part description in this manual.

PARTS LIST KEY

NI	As a part reference, indicates the part is not illustrated on the diagram.
NOT USED	As a part number, indicates the diagram part reference is not used in this manual.
NS	As a part number, indicates the part is not servicable.

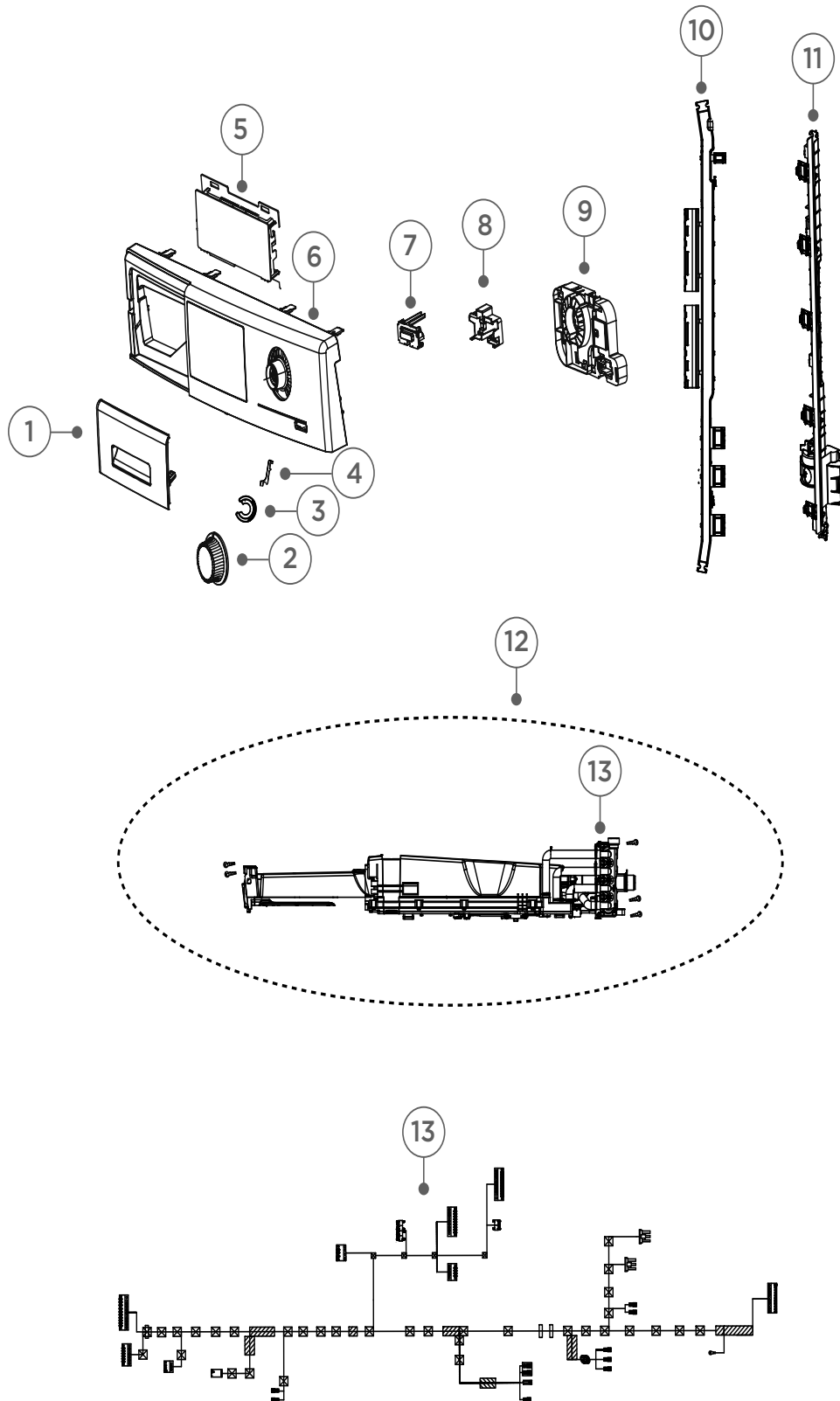
NZ

tel: 09 273 0600
fax: 09 273 0656
e-mail: nz.customercare@fisherpaykel.com
www.fisherpaykel.com/nz

AU

tel: 07 3826 9100
fax: 07 3826 9164
e-mail: aus/customercare@fisherpaykel.com
www.fisherpaykel.com/au

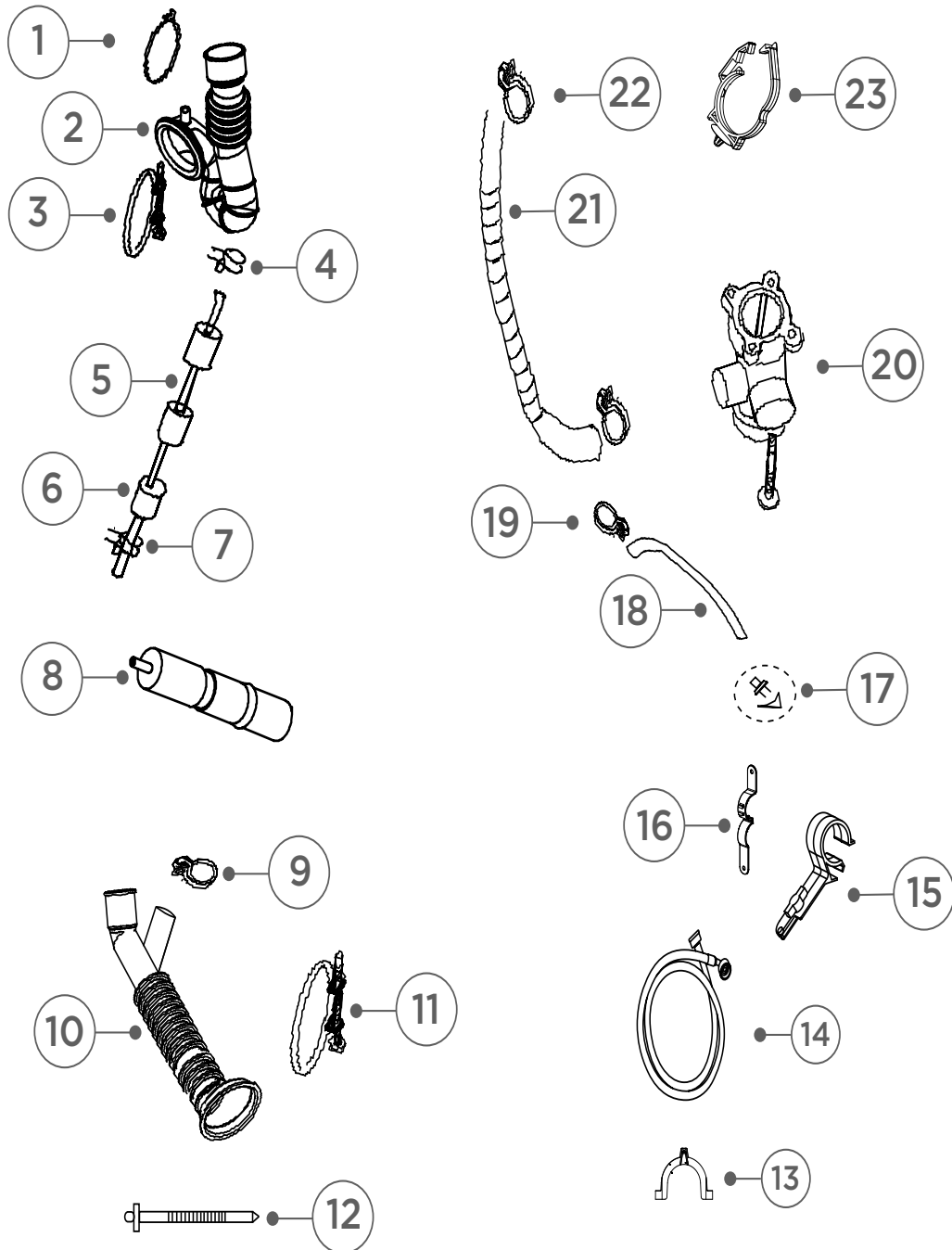
CONSOLE COMPONENTS



CONSOLE COMPONENTS

REFERENCE	PART NUMBER	PART DESCRIPTION
1	H0020508261AL	DECAL DISPENSER
2	H0020205658	KNOB
3	H0020205405	CIRCLE SMALL DEC
4	H0020205659	GUIDE COLUMN
5	H0021800163N	DISPLAY BOARD
6	H0020811053XF	PANEL DISPLAY
7	H0020508273D	POWER BUTTON
8	H0020205134	BUTTON HOLDER
9	H0020205692	PCB COVER
10	H0020204469	GUIDE HARNESS LONG
11	H0020204470	GUIDE HARNESS SHORT
12	H0020811968F	STORAGE TANK
13	H0024000126B	VALVE INLET DUAL COLD
14	H0020400345AN	WIRING HARNESS

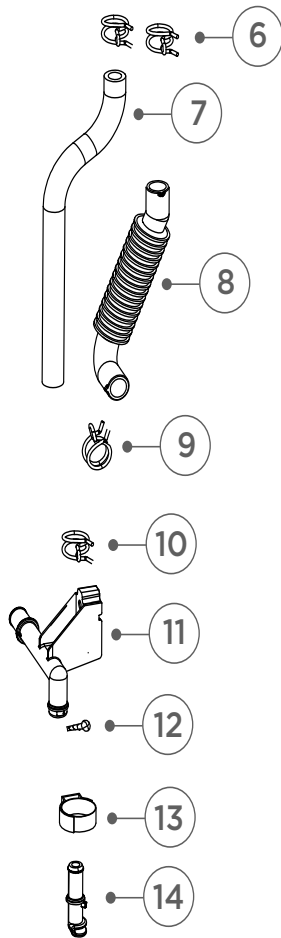
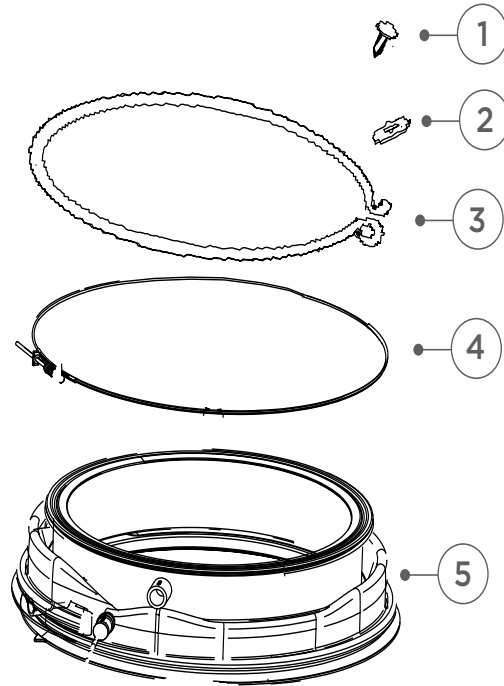
PUMP COMPONENTS



PUMP COMPONENTS

REFERENCE	PART NUMBER	PART DESCRIPTION
1	H00218230550611	CLIP DISPENSOR HOSE
2	H0020301079	HOSE DISPENSER TO TUB
3	H00211320018800A	CLAMP 43 TUB DISPENSER
4	H00214401362902A	TUBE PRESSURE
5	H0020300430A	HOSE DISPENSER TUB
6	H00212500011100	SPONGE PROTECTOR PRESSURE TUBE
7	H00211320015200A	CLIP
8	H0020202906	AIR BELL
9	H0020600050A	CLAMP HOSE VALVE
10	H0020300387A	HOSE TUB PUMP
11	H00297023000100A	CLAMP TUB DRAIN HOSE
12	H00214800909100	CLIP HARNESS
13	H00221123015002	BRACKET DRAIN HOSE
14	H0020300158A	HOSE INLET AW COLD
15	H00215200042604	HOSE CLAMP
16	H0020202937	BRACKET DRAIN HOSE
17	H0020203918	CAP DRAINING HOSE
18	H0020300379A	HOSE PUMP DRAIN
19	H0020600271	HOSE CLAMP
20	H0022150033660401G	PUMP DRAIN FL WM
21	H0020300148	HOSE DRAIN
22	H0020600050A	CLAMP HOSE VALVE
23	H00215200004402	CLIP PRESSURE TUBE

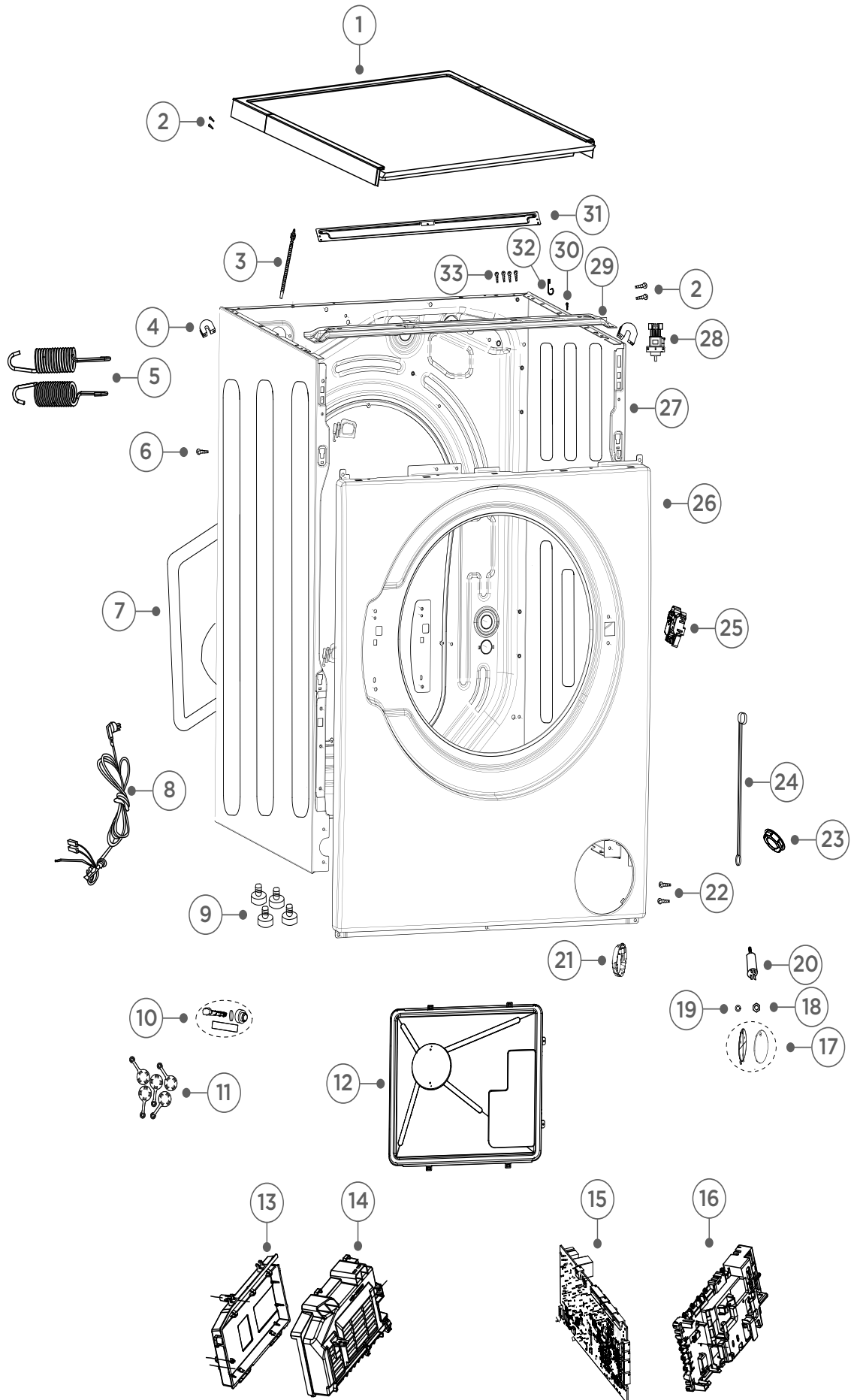
BELLOWS & FLUSH DOOR COMPONENTS



BELLOWS & FLUSH DOOR COMPONENTS

REFERENCE	PART NUMBER	PART DESCRIPTION
1	H00215100000200	SCREW
2	H00214800021100	NUT NYLON
3	H0020600081	CLAMP DOOR BELLOWS
4	H0020600211	CLAMP TUB BELLOWS
NI	H00214800021100	DOOR CLAMP NUT NYLON
5	H0020300601L	BELLOWS SEAL
6	H00218230700611A	CLIP VALVE ASSY
7	H0020301003A	HOSE
8	H0020301135	HOSE
9	H00218230700611A	CLIP VALVE ASSY
10	H00218230700611A	CLIP VALVE ASSY
11	H0020204182	SPRAYER
12	H00216910320111A	SCREW
13	H0020600086A	HOSE CLAMP
14	H0020203333	SPRAYER

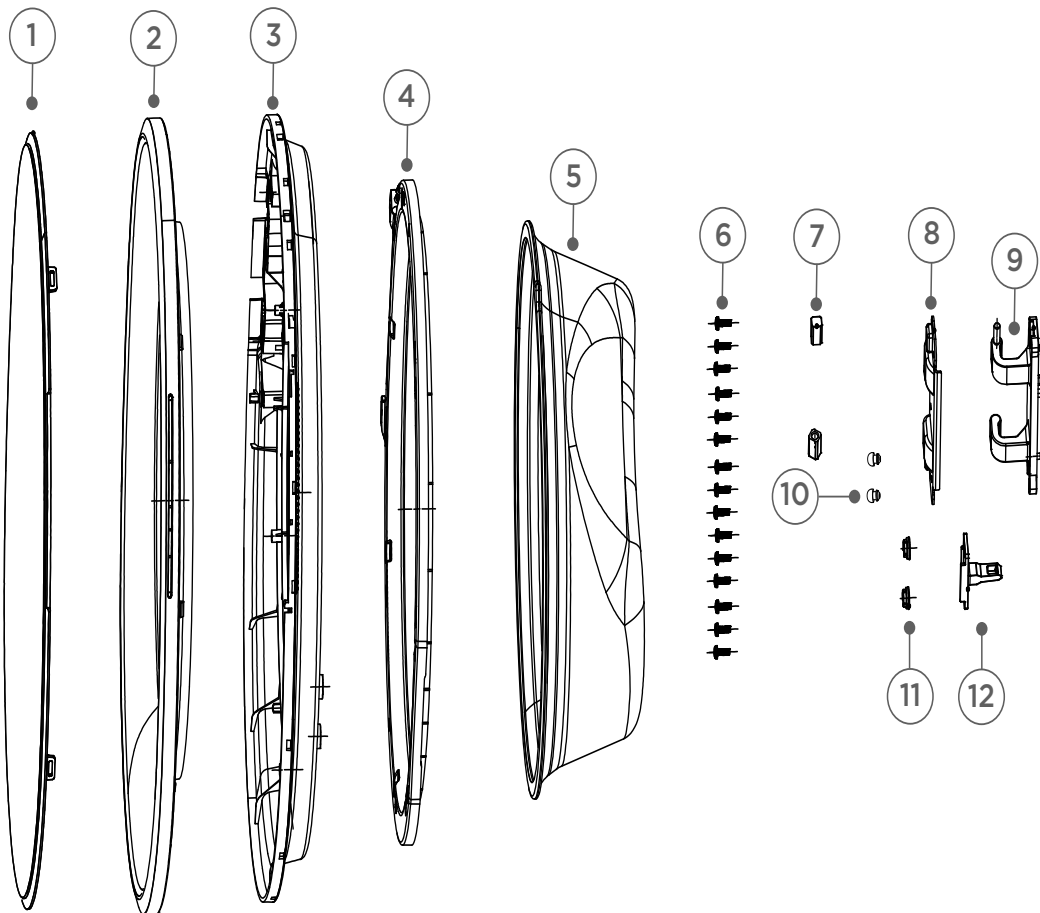
CABINET COMPONENTS



CABINET COMPONENTS

REFERENCE	PART NUMBER	PART DESCRIPTION
1	H0020810519E	PANEL TOP COVER
2	H00216910320111A	SCREW
3	H00297022120100	CLAMP PANDUIT
4	H00214800503000	SUPPORT SPRING
5	H0020600214	SPRING SUSPENSION
6	H0020600179	BOLT
7	H0020808585C	BACK PANEL
8	H0020400196FD	POWER CORD
9	H0020300170G	FOOT
10	H0020809962	TRANSIT BOLT
11	H0020202911	COVER TRANSIT BOLT
12	H0020100547N	BASE PANEL
13	H0020205541	COVER MOTOR CONTROLLER
14	H0021800035W	MOTOR CONTROLLER
15	H0021800151	POWER BOARD
16	H0020205561	COVER POWER BOARD
17	H0020810737D	FILTER DOOR COVER
18	H00215000000001A	NUT
19	H00215000000002A	WASHER
20	H0024000247S	SUPRESSOR INTERFERENCE
21	H0020205243	FILTER RING
22	H00216910320111A	SCREW
23	H0020204516	DRAIN HOSE HOLDER
24	H0020204890	LEVER DOOR LOCK
25	H0024000128E	DOOR LOCK
26	H0020101254L	FRONT PANEL
27	H0020809799F	CABINET
28	H0024000399AB	PRESSURE SWITCH
29	H0020101006C	BRACKET
30	H0020600491	GUIDE TOP COVER
31	H0020100812A	BRACKET MAIN BEAM
32	H0020203391	BRACKET RH SUSPENSION SPRING
33	H002-012G8010107	SCREW

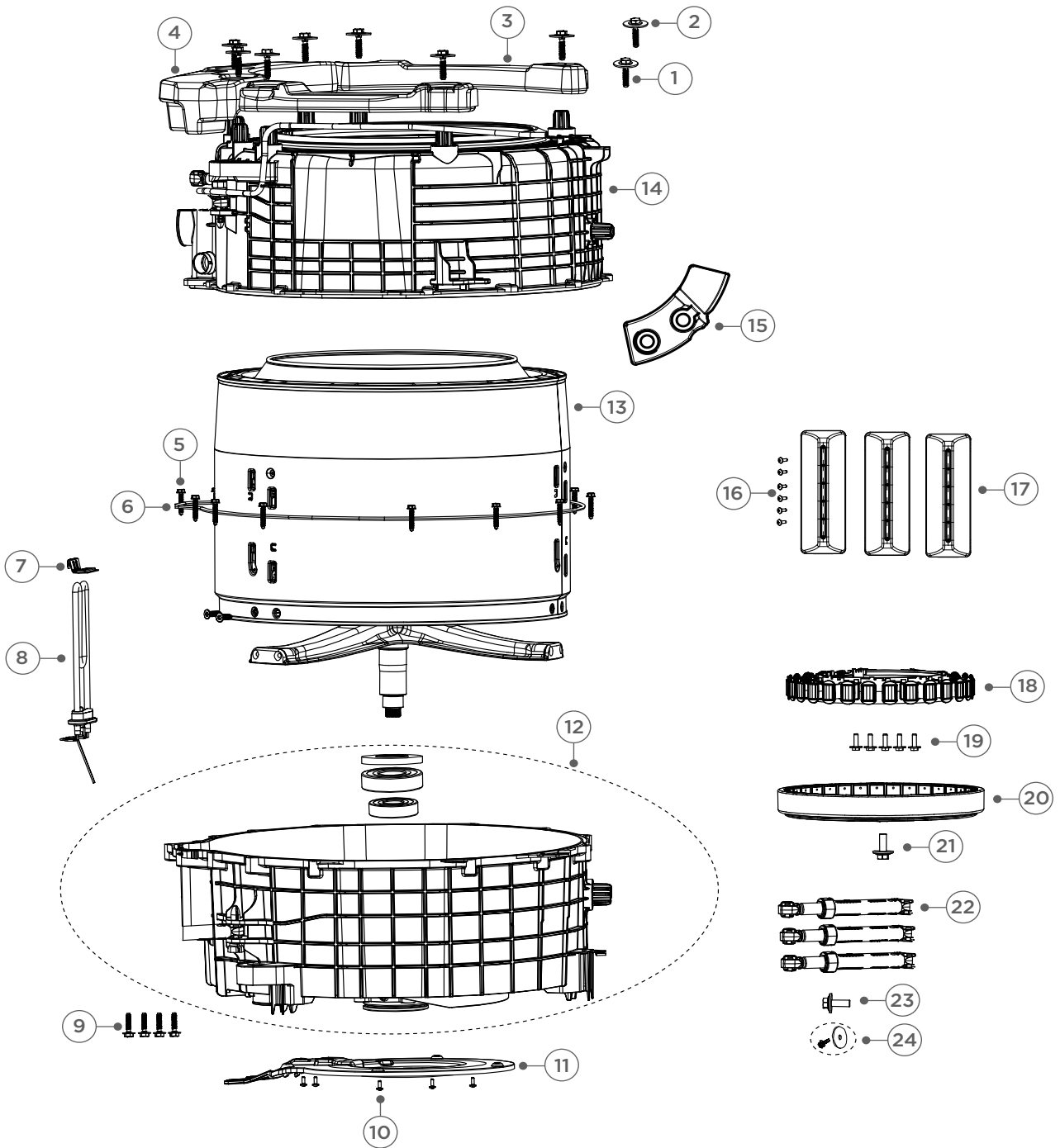
DOOR COMPONENTS



DOOR COMPONENTS

REFERENCE	PART NUMBER	PART DESCRIPTION
1	H0020205706	COVER OUTER DOOR
2	H0020205704B	COVER MIDDLE OF DOOR
3	H0020205662	COVER INNER DOOR
4	H0020205705	PORTHOLE COVER
5	H0021400015	PORTHOLE DOOR
6	H00330810009	SCREW SELF TAPPING
7	H0020301215	SCREW PLUG
8	H0020101397	HINGE PLATE
9	H0020101300A	HINGE
10	H0020300740A	SCREW
11	H0020204896	HINGE COVER
12	H0020100284A	HOOK DOOR LATCH

TUB & MOTOR COMPONENTS



TUB & MOTOR COMPONENTS

REFERENCE	PART NUMBER	PART DESCRIPTION
1	H0020600285	BOLT COUNTERWEIGHT
2	H0020600147A	WASHER COUNTER WEIGHT
3	H0020300792E	COUNTERWEIGHT RH
4	H0020300792D	COUNTERWEIGHT LH
5	H00215100001000	SCREW
6	H0020300510	SEAL TUB FRONT TO REAR
7	H0020100432	BRACKET HEATER
8	H0024000279D	HEATING ELEMENT
9	H00215000036000	SCREW
10	H00330802500A	SCREW TAPPING
11	H0020809325X	HEAT SHEILD
	Includes	HARNESS MOTOR
12	H0020812025GA	REAR TUB ASSEMBLY
13	H0020808261BA	INNER DRUM 8 / 8.5KG P & F
14	H0020203541B	OUTER CYLINDER ASSEMBLY
15	H0020300793B	COUNTERWEIGHT REAR
16	H0020600029	SCREW
17	H0020205687	DRUM VEIN
18	H0024000329A	STATOR
19	H0020600405	SCREW STATOR
20	H0024000329	ROTOR
21	H0020600404	BOLT ROTOR
22	H0020808145G	ABSORBER SHOCK (60N)
23	H0020205577	PIN SHOCK ABSORBER
24	H0020600403	BOLT SHOCK ABSORBER

www.fisherpaykel.com

© Fisher & Paykel Appliances 2019. All rights reserved.
The product specifications in this document apply to the specific products and models described at the date of issue. Under our policy of continuous product improvement, these specifications may change at any time. You should therefore check with your Dealer to ensure this document correctly describes the product currently available.

AU NZ

PRODUCT CODE: 62343-A 07.19