

PARTS MANUAL

Washer Dryer

HWD8040BW1 HA AA

Product Code
62342-A

AU NZ

Haier

CONTENTS

INTRODUCTION	2
CABINET COMPONENTS	3
CONTROL PANEL COMPONENTS	5
DOOR COMPONENTS	7
DISPENSER & WIRING COMPONENTS	9
DRUM COMPONENTS	11
DRYER COMPONENTS	15
CONDENSOR COMPONENTS	17

INTRODUCTION

BRAND	VOLTAGE	MODEL	PRODUCT CODE
Fisher & Paykel	220-240 50Hz	HWD8040BW1 HA AA	62342-A

MODELS

The models covered by this manual are listed on the front cover. The information detailed in this manual is subject to change without notice. The latest version is indicated by the reprint date and replaces any earlier editions.

KIT PARTS

Where a part number is shown against the descriptions for these kit components, they are also available as separate items. In addition, some parts may be supplied with these kits that are not available as separate items, and are therefore either not listed, or a part number is not shown against the part description in this manual.

PARTS LIST KEY

NI	As a part reference, indicates the part is not illustrated on the diagram.
NOT USED	As a part number, indicates the diagram part reference is not used in this manual.
NS	As a part number, indicates the part is not servicable.

NZ

Fisher & Paykel Appliances Ltd
78 Springs Road, East Tamaki
Manukau 2013
PO Box 58-546 Botany
Manukau 2163
New Zealand

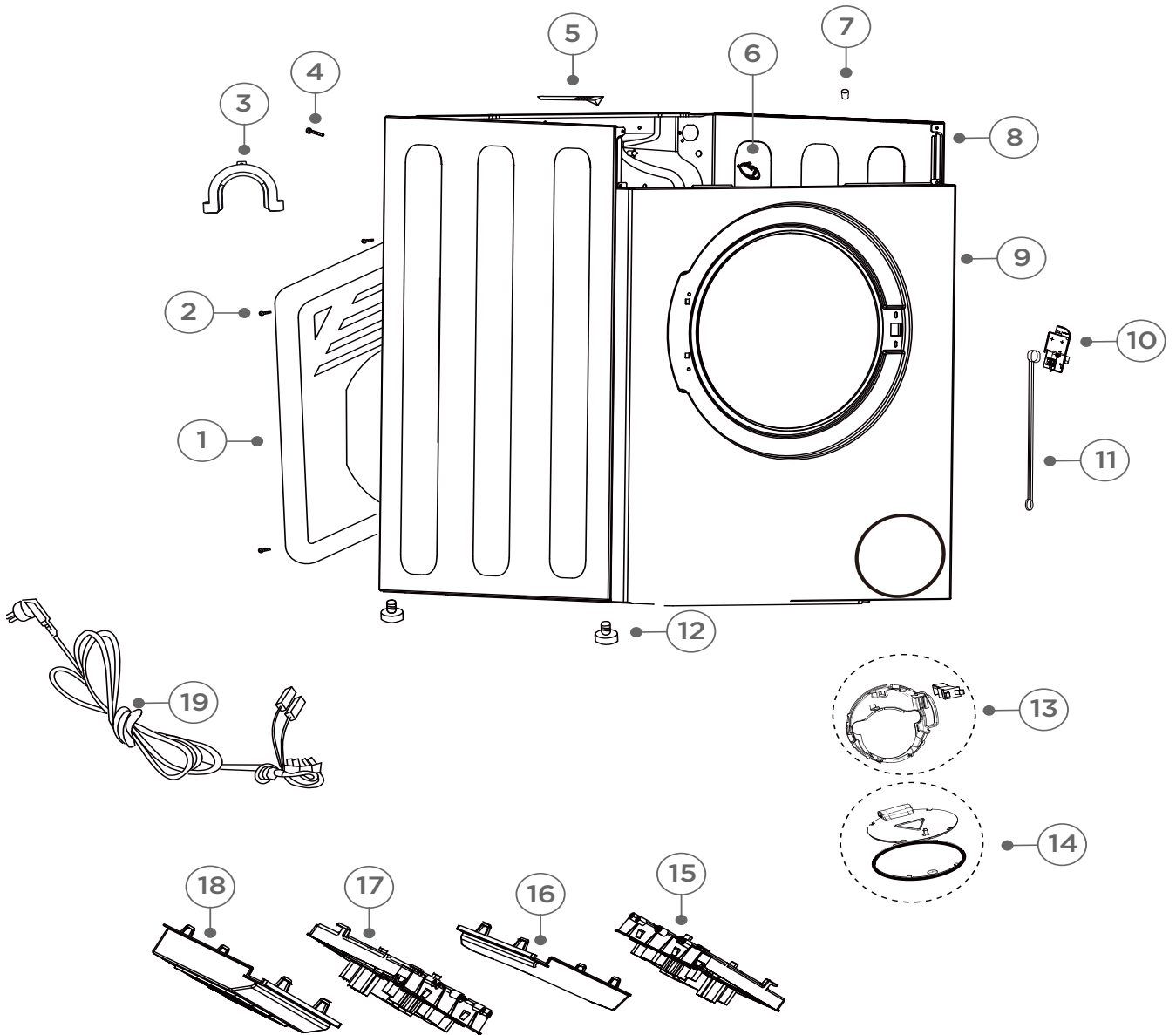
tel: 09 273 0600
fax: 09 273 0656
e-mail: nz.customercare@fisherpaykel.com

AU

Fisher & Paykel Customer Services Pty Ltd
PO Box 798, Cleveland, QLD 4163
A.C.N. 003 3335 171
19 Enterprise Street
Cleveland, QLD 4163
Australia

tel: 07 3826 9100
fax: 07 3826 9164
e-mail: aus.customercare@fisherpaykel.com

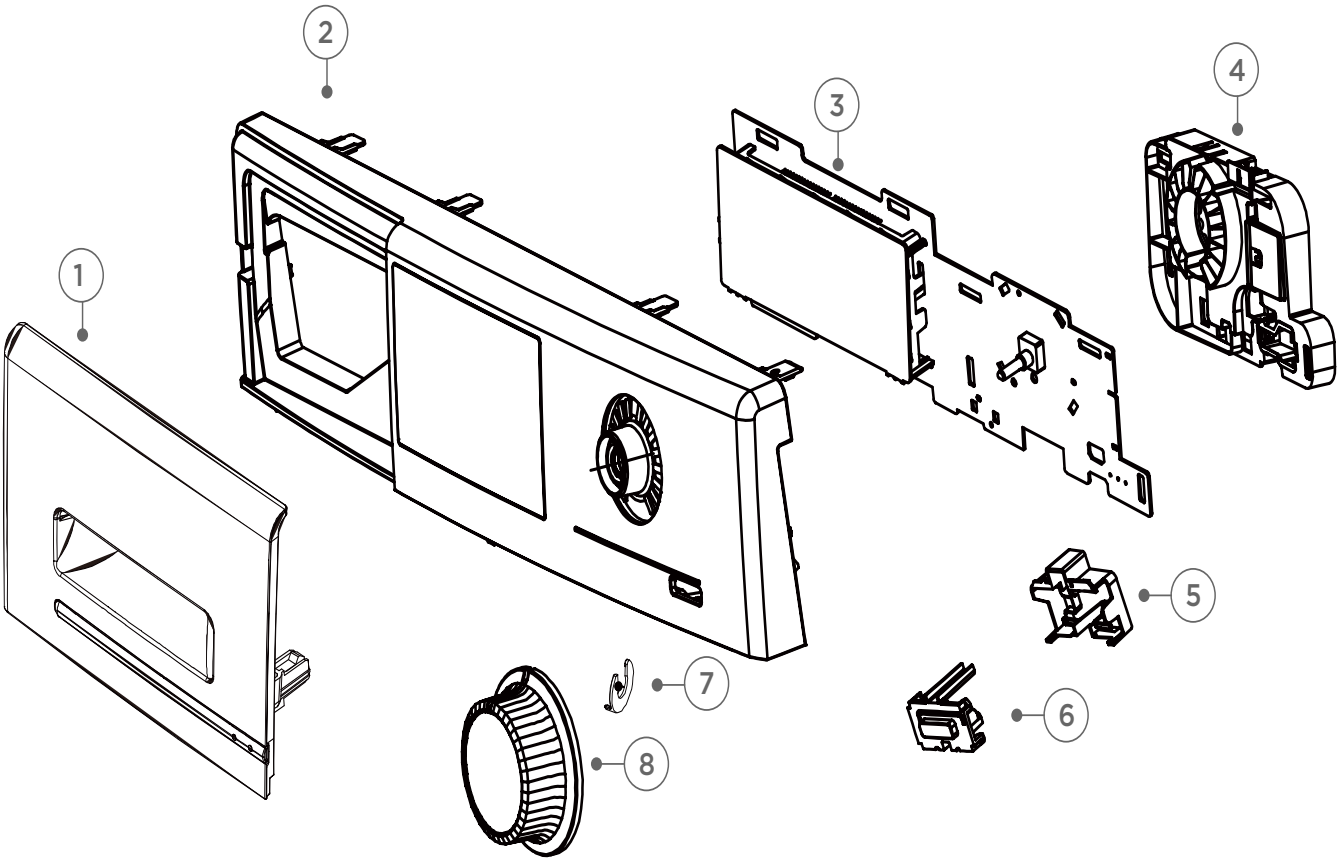
CABINET COMPONENTS



CABINET COMPONENTS

REFERENCE	PART NUMBER	PART DESCRIPTION
1	H0020808585E	BACK PLATE WHITE
2	H00216910320111A	SCREW
3	H0020202937	BRACKET DRAIN HOSE
4	H0020600179	BOLT
5	H0020101006C	BRACKET
6	H00214800503000	SUPPORT SPRING
7	H0020600491	GUIDE TOP COVER
8	H0020811210C	CABINET
9	H0020101254G	FRONT PANEL
10	H0024000128E	DOOR LOCK
11	H0020204890	LEVER DOOR LOCK
12	H0020300170G	FOOT
13	H0020205243	FILTER RING
14	H0020810737D	FILTER DOOR COVER
15	H0021800159	POWER BOARD
16	H0020205101	COVER POWER BOARD
17	H0021800035H	MOTOR CONTROLLER
18	H0020205106	HOUSING B MOTOR CONTROLLER
19	H0020400196FF	POWER CORD

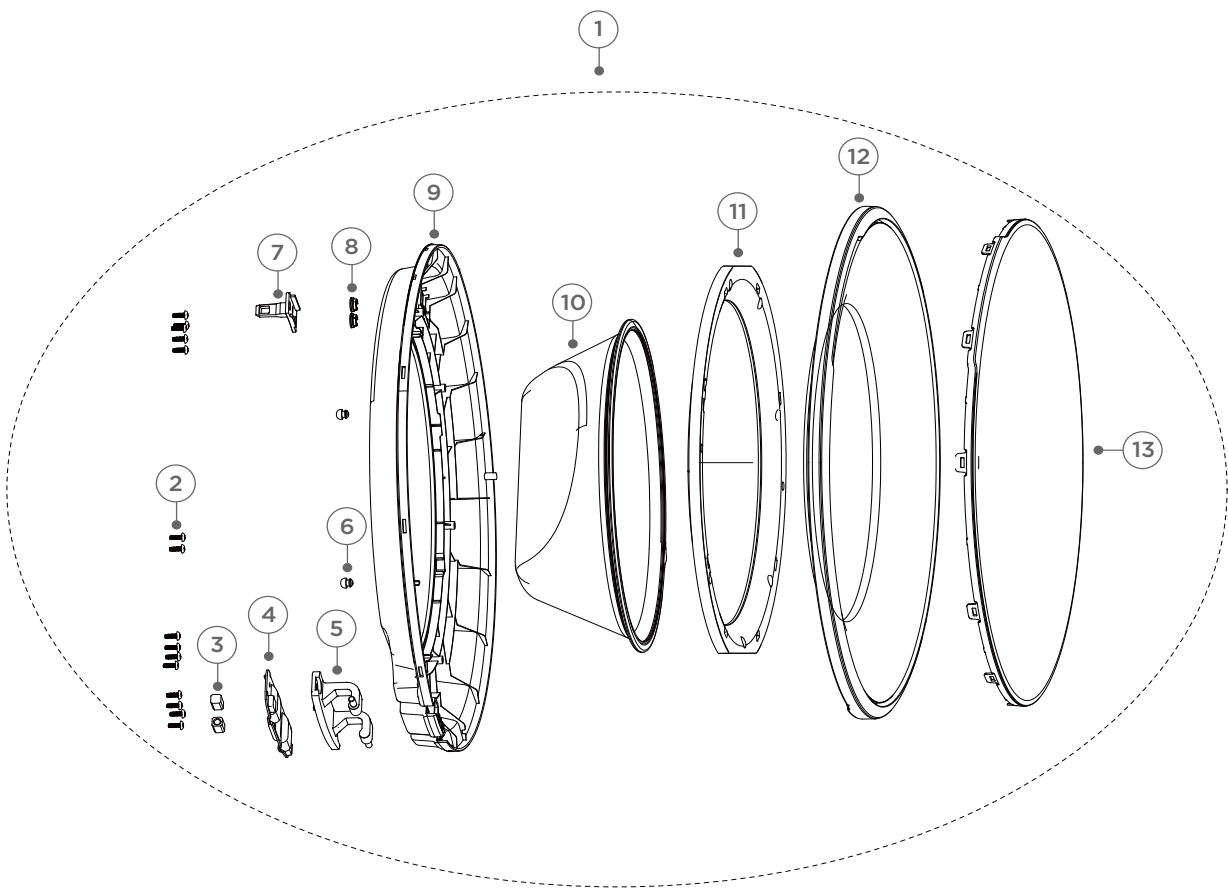
CONTROL PANEL COMPONENTS



CONTROL PANEL COMPONENTS

REFERENCE	PART NUMBER	PART DESCRIPTION
1	H0020508261AQ	HANDLE PRINTED
2	H0020811053BY	CONTROL PANEL
3	H0021800291	DISPLAY BOARD
4	H0020205692	HOUSING PCB
5	H0020205134	BUTTON HOLDER
6	H0020508273D	POWER BUTTON
7	H0020205405	CIRCLE SMALL DEC
8	H0020205658	KNOB

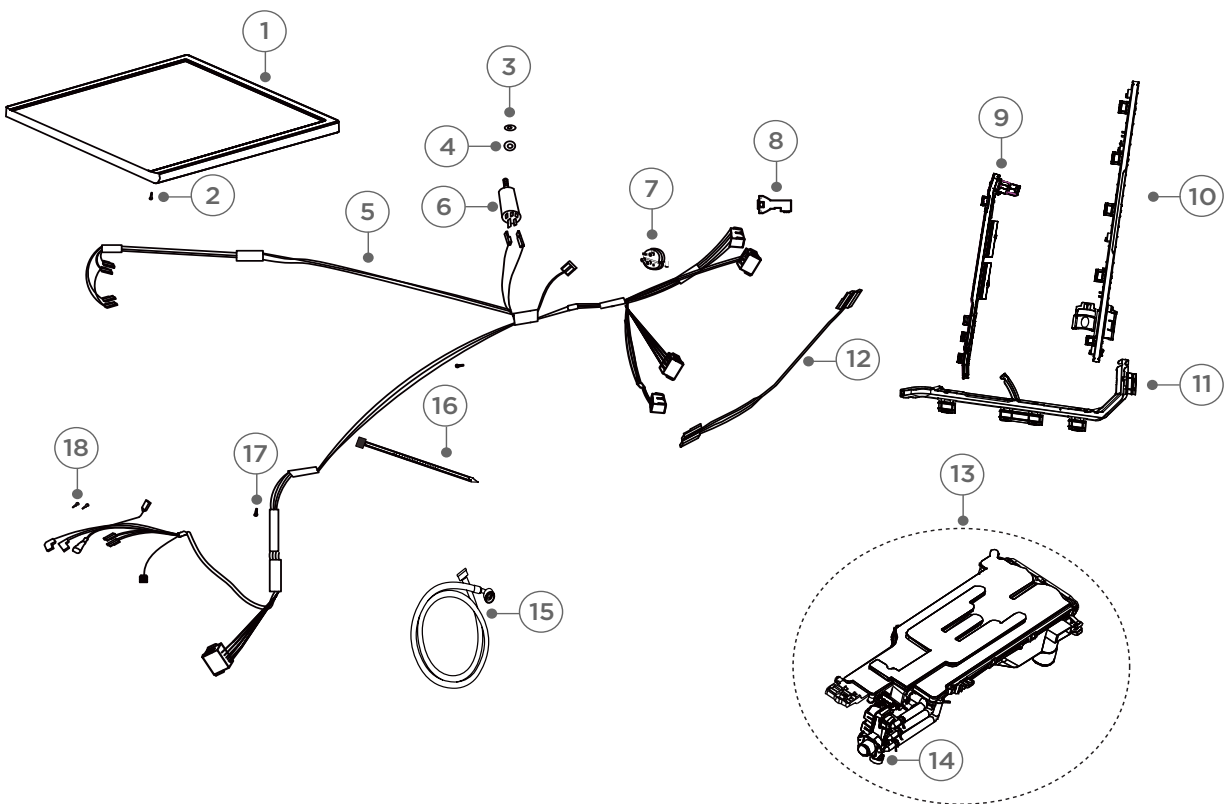
DOOR COMPONENTS



DOOR COMPONENTS

REFERENCE	PART NUMBER	PART DESCRIPTION
1	H0020812044	DOOR ASSY
2	H00330810009	SCREW SELF TAPPING
3	H0020204896	HINGE COVER
4	H0020101397	HINGE PLATE
5	H0020101300A	HINGE
6	H0020300740A	SCREW
7	H0020100284A	HOOK DOOR LATCH
8	H0020301215	SCREW PLUG
9	H0020205662	COVER INNER DOOR
10	H0021400015	PORTHOLE DOOR
11	H0020205705	PORTHOLE COVER
12	H0020205704B	COVER MIDDLE OF DOOR
13	H0020205706	COVER OUTER DOOR

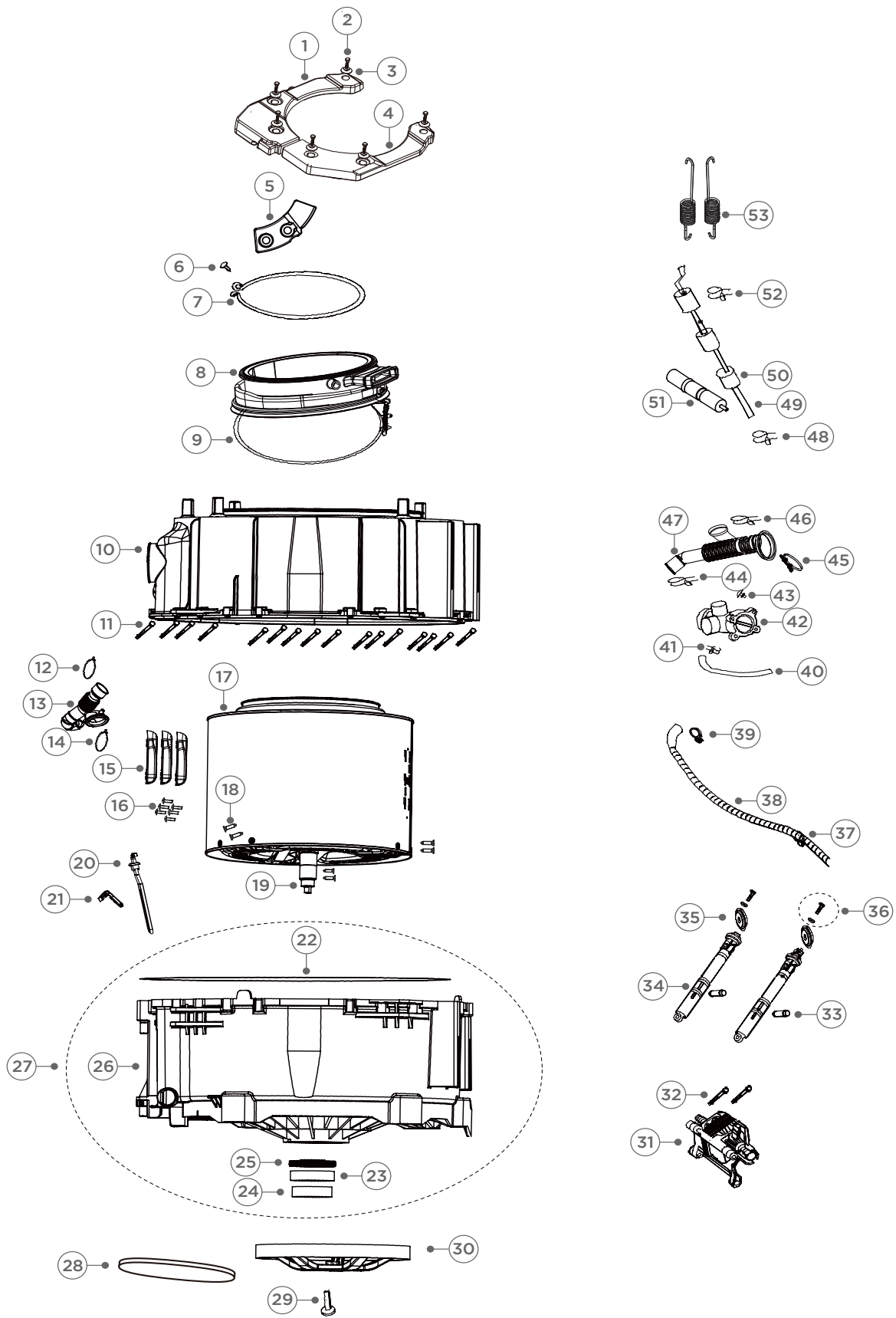
DISPENSER & WIRING COMPONENTS



DISPENSER & WIRING COMPONENTS

REFERENCE	PART NUMBER	PART DESCRIPTION
1	H0020810520E	TOP COVER
2	H00216910320111A	SCREW
3	H00217440540612	WASHER RFI FILTER
4	H00215000000001A	NUT
5	H0020400354LQ	HARNESS
6	H0024000247S	SUPRESSOR INTERFERENCE
7	H0024000399AB	PRESSURE SWITCH
8	H00221150320000	ZIP TIE SMALL
9	H0020204015	GUIDE MAIN HARNESS CHASSIS
10	H0020204470	GUIDE HARNESS SHORT
11	H0020204469	GUIDE HARNESS LONG
12	H0020400087P	MOTOR HARNESS
13	H0020810481Z	STORAGE TANK
14	H0024000405G	WATER VALVE
15	H0020809485	HOSE INLET
16	H00221150320000	ZIP TIE SMALL
17	H00330810010	SCREW
18	H00216920110008A	SCREW

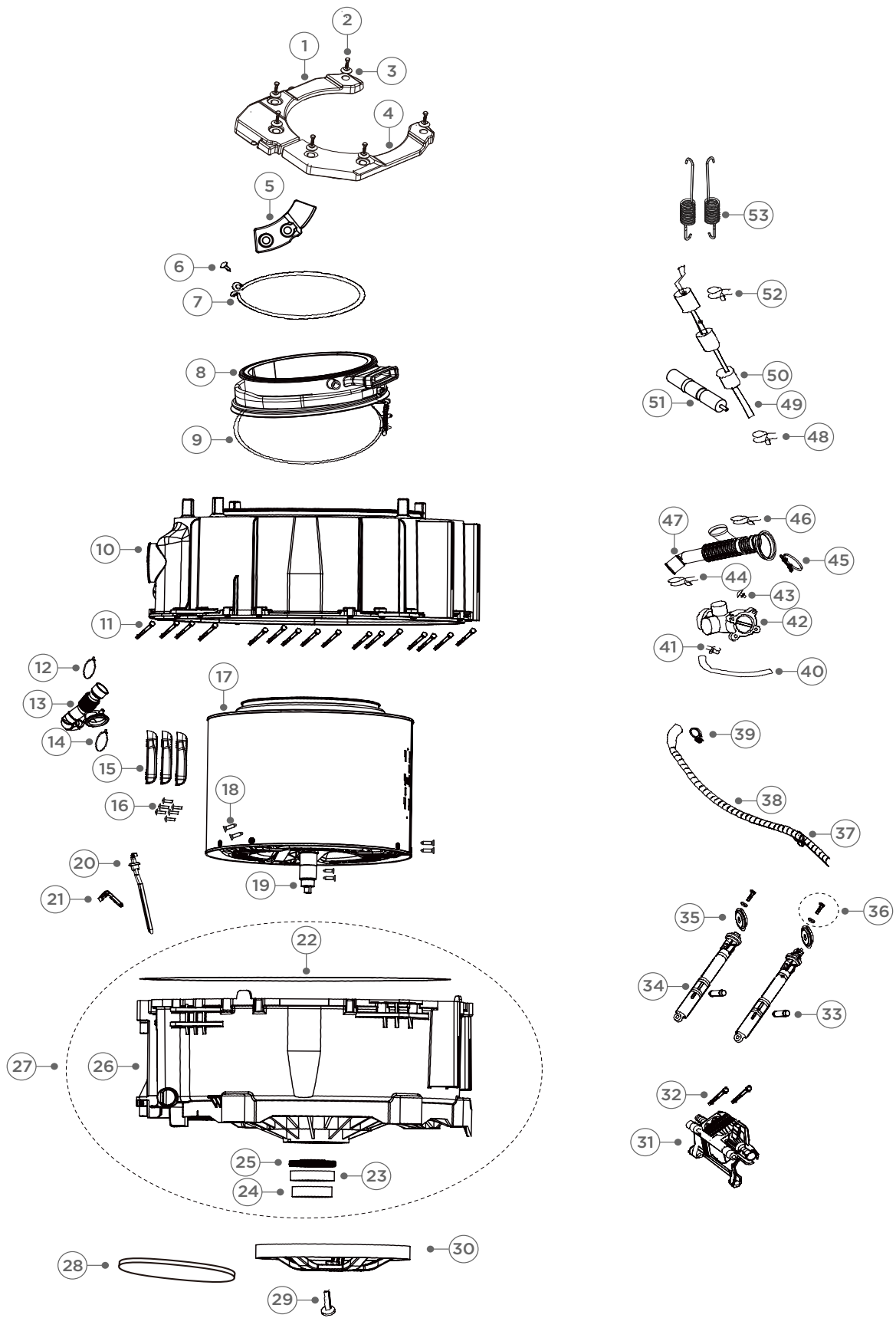
DRUM COMPONENTS



DRUM COMPONENTS

REFERENCE	PART NUMBER	PART DESCRIPTION
1	H0020301530A	COUNTERWEIGHT FRONT LH
2	H0020600285	BOLT COUNTERWEIGHT
3	H0020600147A	WASHER COUNTER WEIGHT
4	H0020301531A	COUNTERWEIGHT FRONT RH
5	H0020301524	COUNTERWEIGHT BACK
6	H00215100000200	SCREW
7	H0020600081	CLAMP DOOR BELLOWS
8	H0020300601U	BELLOWS
9	H0020600211	CLAMP TUB BELLOWS
10	H0020203540E	TUB FRONT COMPLETE
11	H00215100001000	SCREW
12	H00218230550611	CLIP DISPENSOR HOSE
13	H0020301079	HOSE DISPENSER TO TUB
14	H00211320018800A	CLAMP 43 TUB DISPENSER
15	H0020205687	DRUM VEIN
16	H0020600029	SCREW
17	H0020806265AF	TUB ASSY
18	H00215000036000	BACK COUNTERWEIGHT
19	H0020100583	TRIPOD ASSY
20	H0024000279D	HEATING ELEMENT
21	H0020100432	BRACKET HEATER
22	H0020300510	SEAL TUB FRONT TO REAR
23	H0020600157	BEARING 6306
24	H0020600069	BEARING 6305
25	H0020300340B	SEAL TUB BEARING
26	H0020206034L	CYLINDER OUTER
27	H0020806090BW	TUB OUTER REAR
28	H0020300592	BELT
29	H00215000014000B	BOLT PULLEY
30	H0020100615	PULLEY

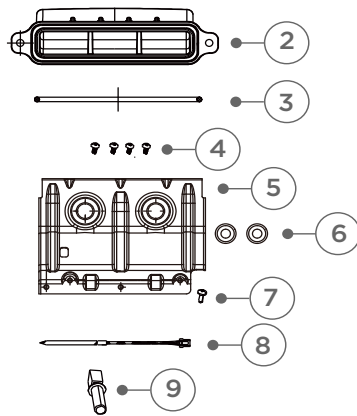
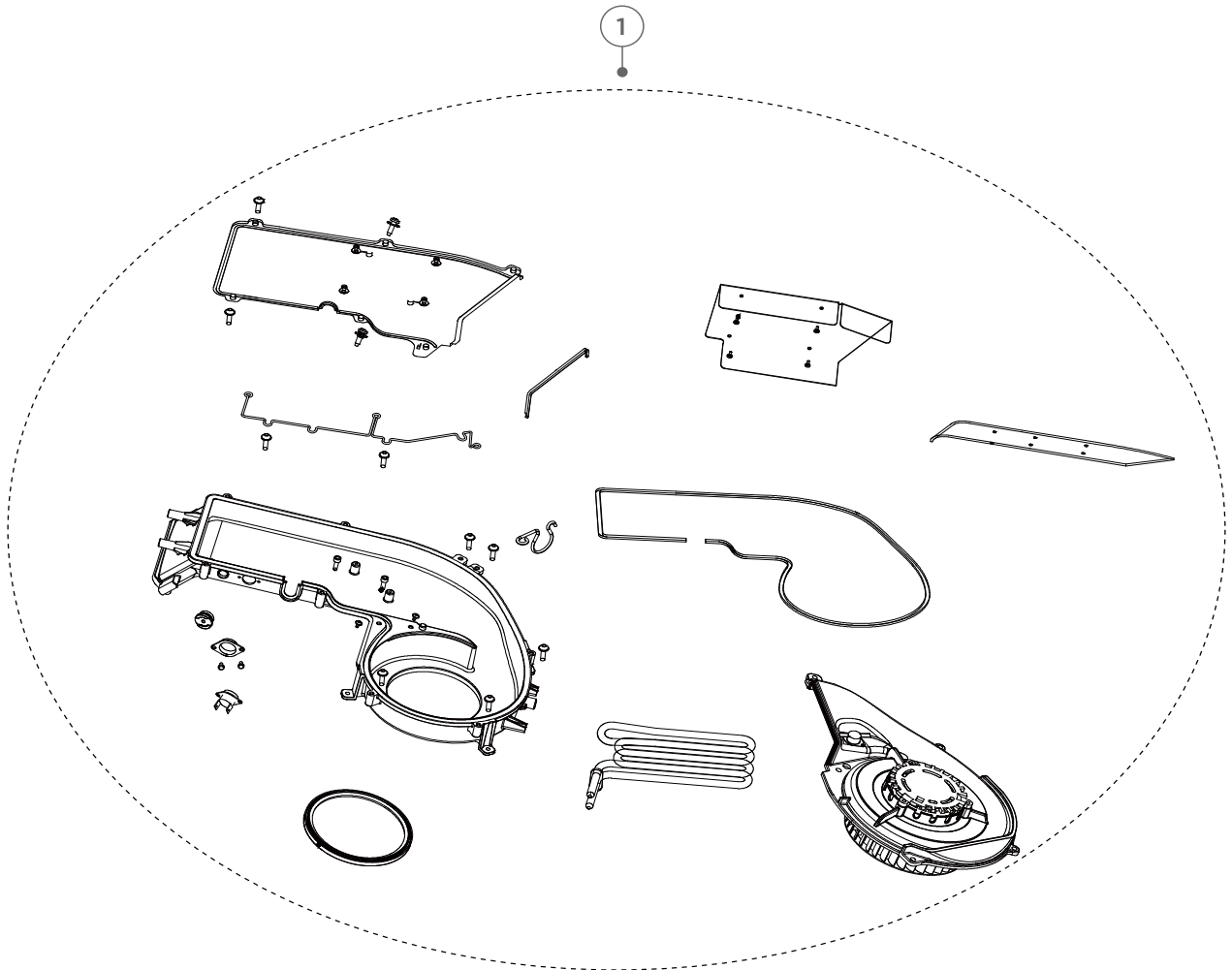
DRUM COMPONENTS



DRUM COMPONENTS

REFERENCE	PART NUMBER	PART DESCRIPTION
31	H0024000389C	MOTOR
32	H00215100001000	SCREW
33	H0020205577	PIN SHOCK ABSORBER
34	H0020600213	SHOCK ABSORBER
35	H00215000035200	WASHER STEEL
36	H0020600358	BOLT SHOCK ABSORBER
37	H00215200004402	CLIP PRESSURE TUBE
38	H0020300148	HOSE DRAIN
39	H0020600050A	CLAMP HOSE VALVE
40	H0020300379A	HOSE PUMP DRAIN
41	H0020600271	HOSE CLAMP
42	H0020809090	DRAIN PUMP ASSEMBLY
43	H0020203918	CAP DRAINING HOSE
44	H0020600050A	CLAMP HOSE VALVE
45	H00297023000100A	CLAMP TUB DRAIN HOSE
46	H0020600050A	CLAMP HOSE VALVE
47	H0020300387A	HOSE TUB PUMP
48	H00211320015200A	CLIP
49	H00214401362902A	TUBE PRESSURE
50	H00212500011100	SPONGE PROTECTOR PRESSURE TUBE
51	H0020202906	AIR BELL
52	H00218210650611A	CLIP
53	H0020600214	SPRING SUSPENSION

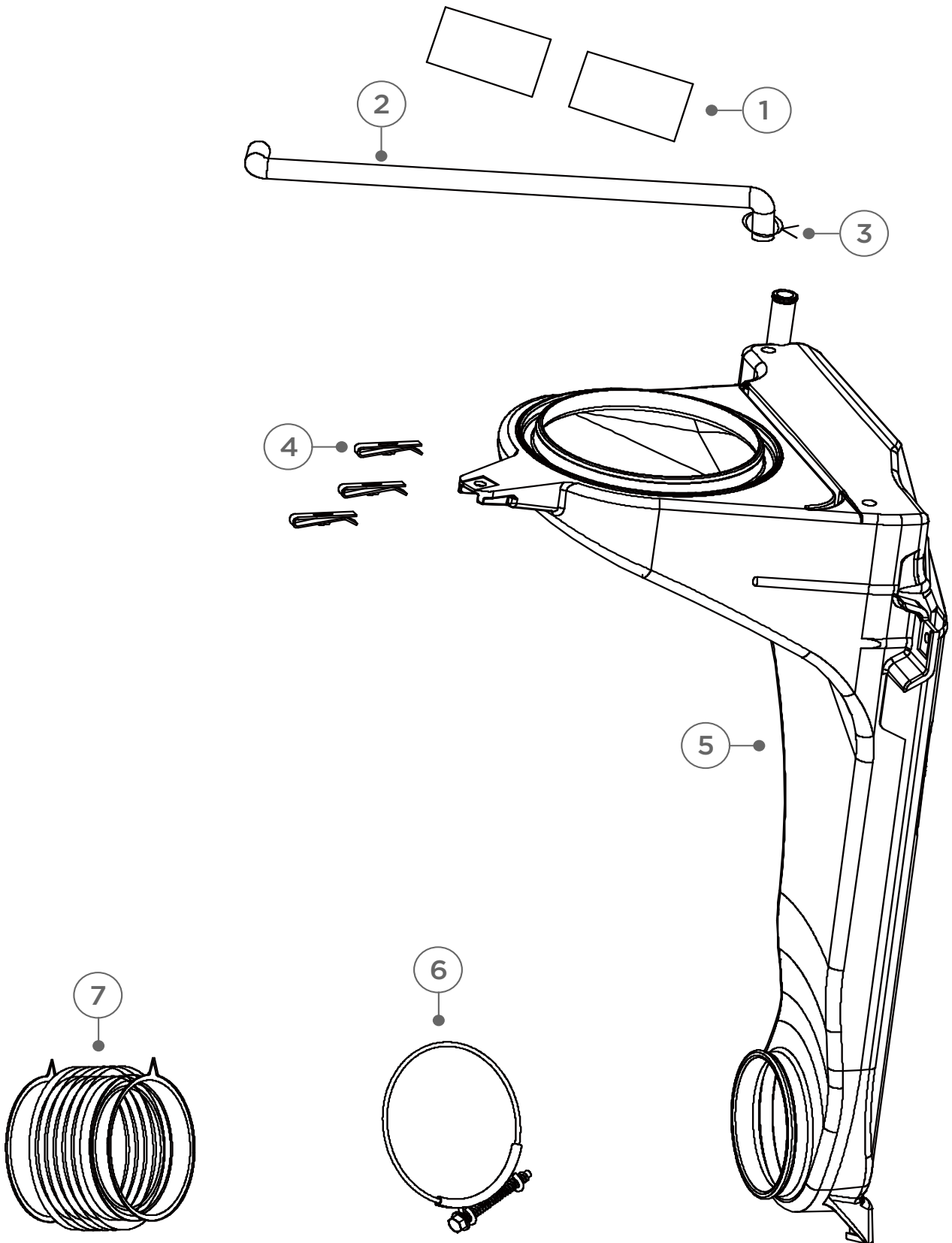
DRYER COMPONENTS



DRYER COMPONENTS

REFERENCE	PART NUMBER	PART DESCRIPTION
1	H0020810616B	DRYER HEATER KIT ASSY
2	H0020203330	DUCT
3	H0020300680	SEALING STRIP
4	H0020600179	BOLT
5	H0020101440	FIXING PLATE
6	H0020300621	GROMMET SHOCK ABSORBING
7	H00330802008A	SCREW SELF TAPPING
8	H0024000259	TEMPERATURE SENSOR
9	H0024000259A	THERMISTOR

CONDENSOR COMPONENTS



CONDENSOR COMPONENTS

REFERENCE	PART NUMBER	PART DESCRIPTION
1	H0020300544	FELT PROTECTOR PAD
2	H0020300639E	HOSE VALVE TO CONDENSER
3	H00218230700611A	CLIP VALVE
4	H0020101321	SPRIE NUT
5	H0020809099C	CONDENSOR DUCT ASSY
6	H00297023000100A	CLAMP TUB DRAIN HOSE
7	H0020300796	HOSE CONDENSOR

www.fisherpaykel.com

© Fisher & Paykel Appliances 2021. All rights reserved.

The models shown in this guide may not be available in all markets
and are subject to change at any time.

The product specifications in this guide apply to the specific products and
models described at the date of issue. Under our policy of continuous product
improvement, these specifications may change at any time.

For current details about model and specification availability in your country,
please go to our website or contact your local Fisher & Paykel dealer.

PRODUCT CODE: 62342-A 03.21