

# **PARTS MANUAL**

**Front Load Washing Machine**

HWF90BW1 HA AA

Product Code  
**62341-A**

**AU NZ**

# **Haier**

# CONTENTS

---

INTRODUCTION	2
TOP DECK & CONTROL COMPONENTS	3
CABINET & DOOR COMPONENTS	5
BOWLS & MOTOR COMPONENTS	7

# INTRODUCTION

---

<b>BRAND</b>	<b>VOLTAGE</b>	<b>MODEL</b>	<b>PRODUCT CODE</b>
Fisher & Paykel	220-240 50Hz	HWF90BW1 HA AA	62341-A

---

## MODELS

The models covered by this manual are listed on the front cover. The information detailed in this manual is subject to change without notice. The latest version is indicated by the reprint date and replaces any earlier editions.

## KIT PARTS

Where a part number is shown against the descriptions for these kit components, they are also available as separate items. In addition, some parts may be supplied with these kits that are not available as separate items, and are therefore either not listed, or a part number is not shown against the part description in this manual.

## PARTS LIST KEY

<b>NI</b>	As a part reference, indicates the part is not illustrated on the diagram.
<b>NOT USED</b>	As a part number, indicates the diagram part reference is not used in this manual.
<b>NS</b>	As a part number, indicates the part is not servicable.

---

## NZ

Fisher & Paykel Appliances Ltd  
78 Springs Road, East Tamaki  
Manukau 2013  
PO Box 58-546 Botany  
Manukau 2163  
New Zealand

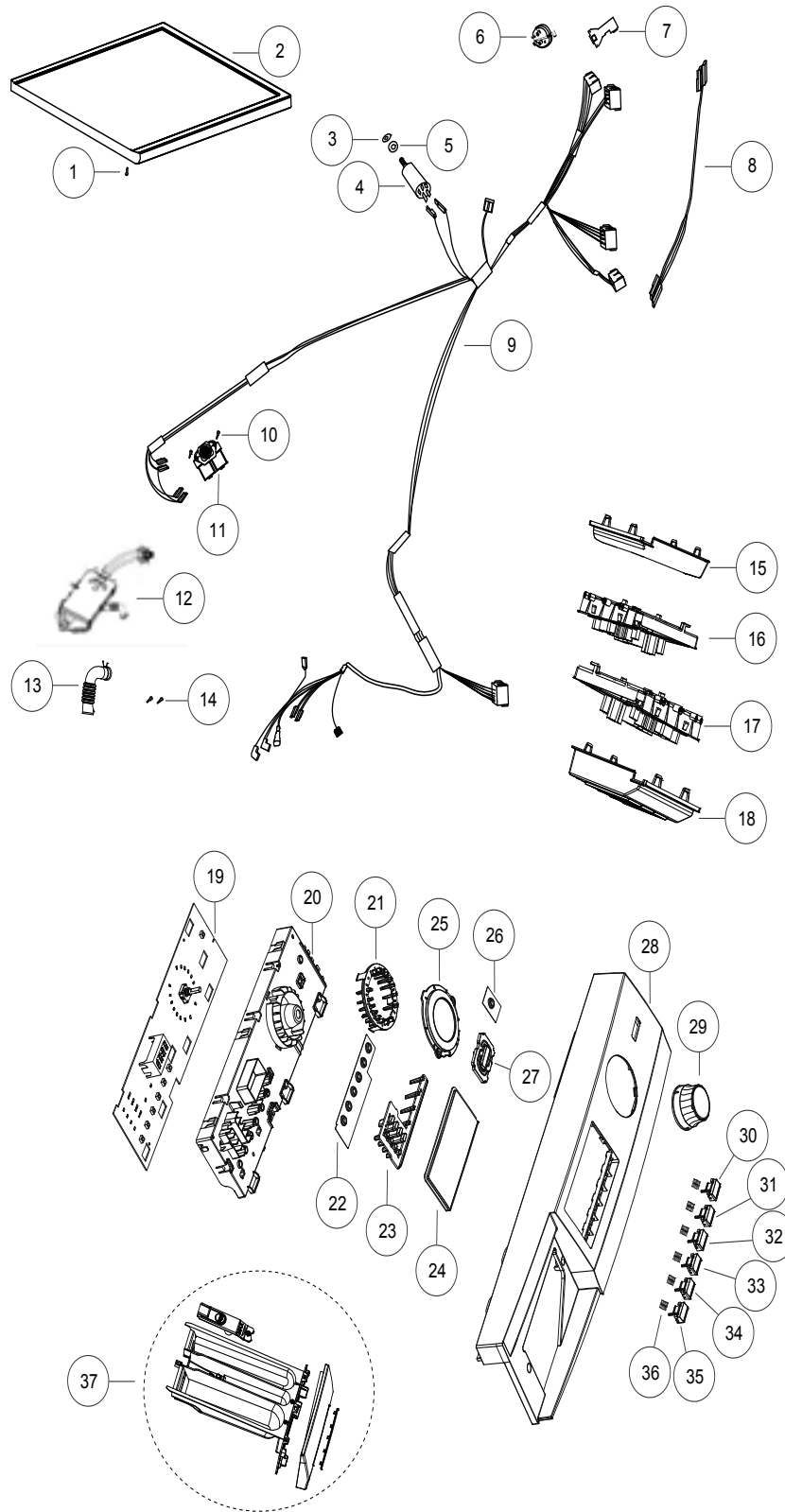
tel: 09 273 0600  
fax: 09 273 0656  
e-mail: nz.customercare@fisherpaykel.com

## AU

Fisher & Paykel Customer Services Pty Ltd  
PO Box 798, Cleveland, QLD 4163  
A.C.N. 003 3335 171  
19 Enterprise Street  
Cleveland, QLD 4163  
Australia

tel: 07 3826 9100  
fax: 07 3826 9164  
e-mail: aus.customercare@fisherpaykel.com

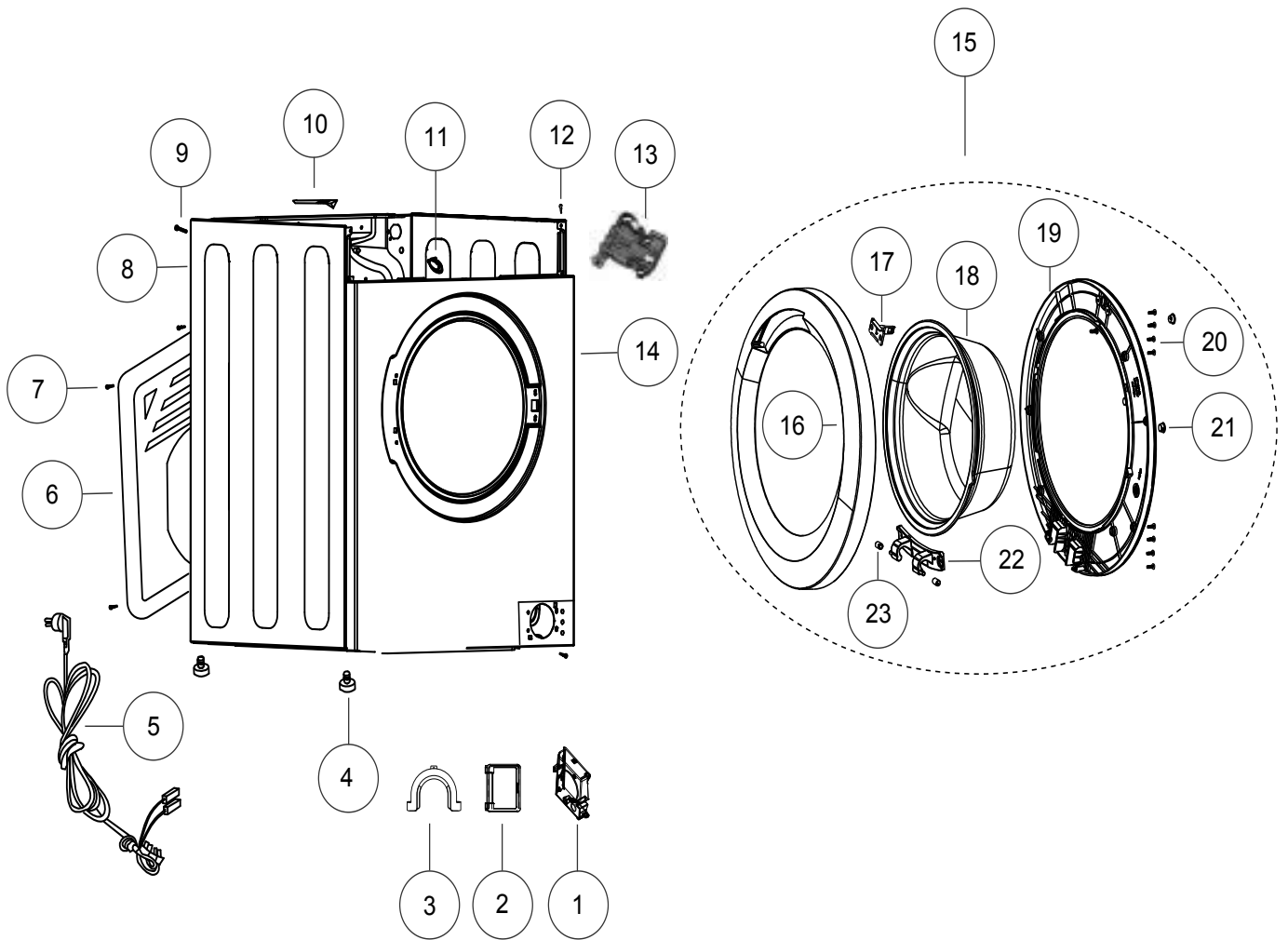
# TOP DECK & CONTROL COMPONENTS



## TOP DECK & CONTROL COMPONENTS

REFERENCE	PART NUMBER	PART DESCRIPTION
1	H00216910320111A	SCREW
2	H0020807968K	TOP COVER
3	H00217440540612	WASHER RFI FILTER
4	H0024000247S	SUPRESSOR INTERFERENCE
5	H00215000000001A	NUT
6	H0024000399A	PRESSURE SWITCH WATER LEVEL
7	H00221150320000	ZIP TIE SMALL
8	H0020400087P	MOTOR HARNESS
9	H0020400462JD	WIRING HARNESS
10	H00216920110008A	SCREW
11	H0024000126B	VALVE INLET DUAL COLD
12	H0020805732IC	STORAGE TANK
13	H0020300594	HOSE DISPENSER TUB
14	H00330810033	SCREW CS 17 ST4 X 14
15	H0020205561	COVER PC BOARD
16	H0021800151	POWER BOARD
17	H0021800035H	MOTOR CONTROLLER
18	H0020205106	HOUSING B MOTOR CONTROLLER
19	H0021800095Y	DISPLAY BOARD
20	H0020205155	COVER DISPLAY
21	H0020205007	GUIDE LIGHT KNOB
22	H0020205011	SEAL FUNCTION BUTTON
23	H0020205154	GUIDE LIGHT DISPLAY SCREEN
24	H0020507782AH	DECAL CONTROL PANEL
25	H0020507854D	BEZEL KNOB
26	H0020205032	SEAL POWER BUTTON
27	H0020205006	BUTTON POWER
28	H0020507803KX	CONTROL PANEL
29	H0020205397	KNOB
30	H0020507819A	START/PAUSE BUTTON GREY
31	H0020205004A	DELAY BUTTON GREY
32	H0020205003A	EXTRA RINSE BUTTON GREY
33	H0020205002A	INTENSE BUTTON GREY
34	H0020205001A	SPIN SPEED BUTTON
35	H0020205000A	WASH TEMP BUTTON GREY
36	H0020600244	SPRING BUTTON
37	H0020809119DC	DERTERGENT DISPENSER ASSY

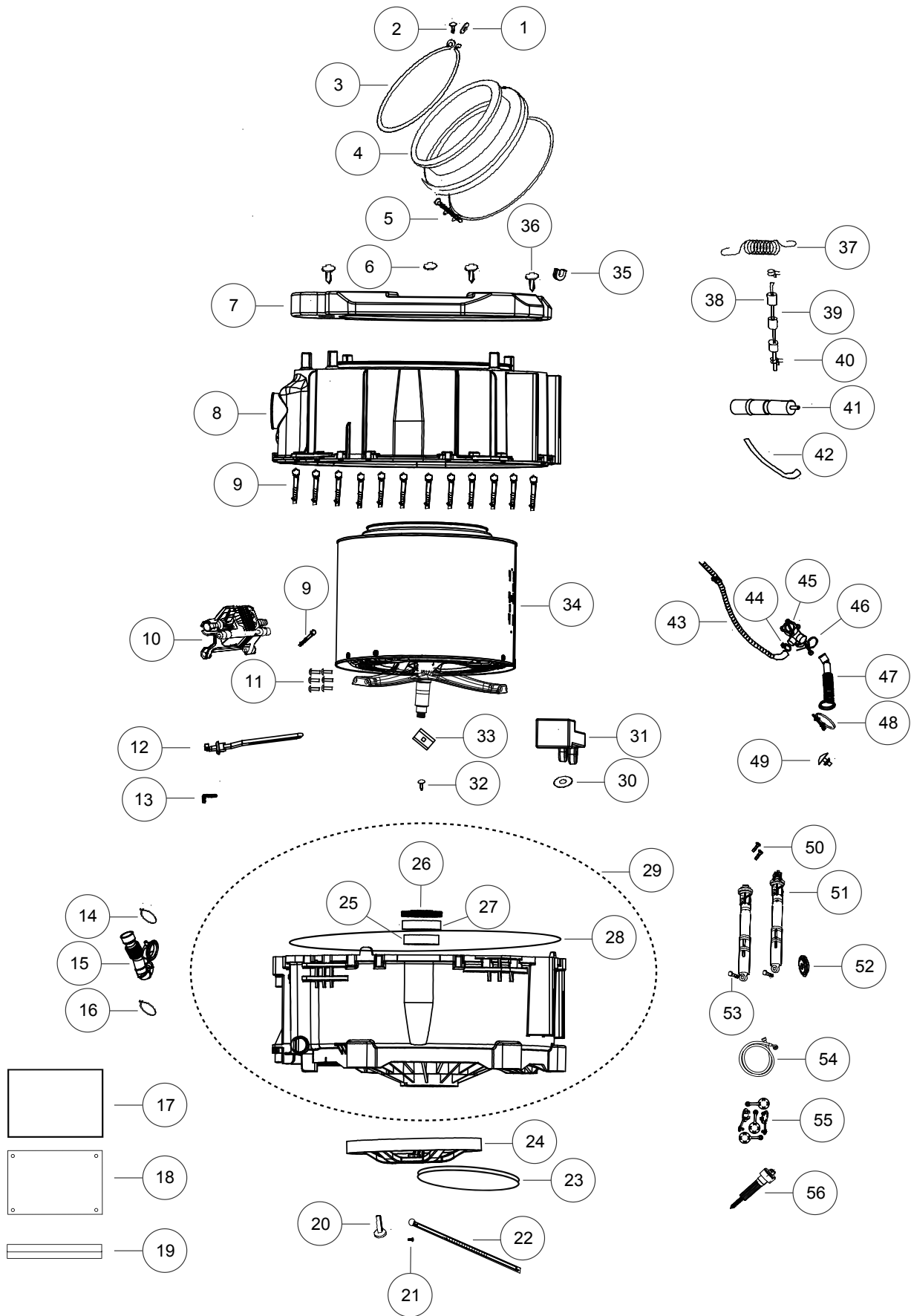
# CABINET & DOOR COMPONENTS



## CABINET & DOOR COMPONENTS

REFERENCE	PART NUMBER	PART DESCRIPTION
1	H0020203564	DOOR PUMP FILTER
2	H0020203562	DOOR PUMP FILTER
3	H00221123015002	BRACKET DRAIN HOSE
4	H0020300170A	FOOT LEVELLING WM
5	H0020400196FD	POWER CORD
6	H0020808585E	BACK PLATE WHITE
7	H00216910320111A	SCREW
8	H0020808260AW	CABINET HWF80BW1
9	H0020600179	BOLT
10	H0020103067A	BRACKET FRONT
11	H00214800503000	SUPPORT SPRING
12	H0020600491	GUIDE TOP COVER
13	H0024000128D	DOOR LOCK
14	H0020100810W	PANEL CABINET FRONT
15	H0020808171AB	DOOR ASSEMBLY
16	H0020808147AD	DOOR GLASS OUTER FRAME
17	H0020100284A	HOOK DOOR LATCH
18	H0021400015	PORTHOLE DOOR
19	H0020203565	COVER INNER DOOR
20	H00330810009	SCREW SELF TAPPING
21	H0020300740	BUFFER DOOR INNER
22	H0020100677	HINGE
23	H0020201212	CAP HINGE

# BOWLS & MOTOR COMPONENTS



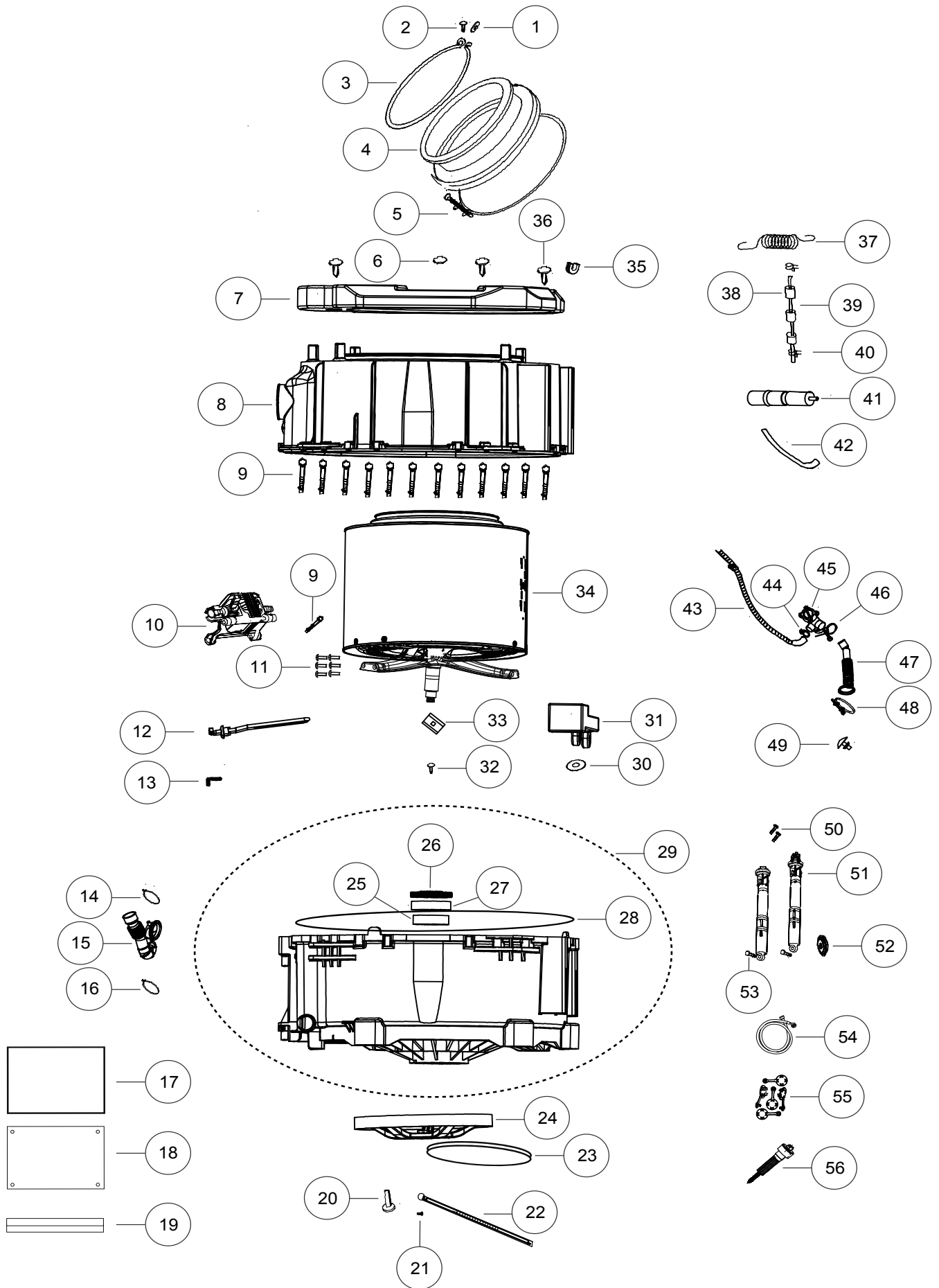
DWG 005144



## BOWLS & MOTOR COMPONENTS

REFERENCE	PART NUMBER	PART DESCRIPTION
1	H00214800021100	NUT NYLON
2	H00215100000200	SCREW
3	H0020600081	CLAMP DOOR BELLOWS
4	H0020300590D	BELLOWS
5	H0020600211	CLAMP TUB BELLOWS
NI	H00214800021100	DOOR CLAMP NUT NYLON
6	H0020600147A	WASHER COUNTER WEIGHT
7	H0020300589B	COUNTERWEIGHT FRONT LOWER
8	H0020203178	TUB FRONT 8KG
9	H00215100001000	SCREW
10	H0024000389	MOTOR
11	H0020600029	SCREW
12	H0024000279D	HEATING ELEMENT
13	H0020100432	BRACKET HEATER
14	H00218230550611	CLIP DISPENSOR HOSE
15	H0020300594	HOSE DISPENSER TUB
16	H00211320018800A	CLAMP 43 TUB DISPENSER
17	H0020300035	CUSHION FELT
18	H0020501896B	PLATE BOTTOM
19	H0020811786C	BASE SEAL
20	H00215000014000B	BOLT PULLEY
21	H0020600179	BOLT
22	H0020400560H	EARTH WIRE
23	H0020300592	BELT
24	H0020100615	PULLEY
25	H0020600157	BEARING 6306
26	H0020300341B	LIP SEAL
27	H0020600219	BEARING INNER 6305-2RS
28	H0020806428G	TUB REAR INC BEARING & SEAL
29	H00217600790008A	WASHER
30	H0020300344K	COUNTER WEIGHT UPPER
31	H00221152310002A	NUT
32	H0020300510	SEAL TUB FRONT TO REAR

# BOWLS & MOTOR COMPONENTS



DWG 005144

## BOWLS & MOTOR COMPONENTS

REFERENCE	PART NUMBER	PART DESCRIPTION
33	H0020600360	BOLT M8 55
34	H0020806284P	INNER DRUM
35	H0020203391	BRACKET RH SUSPENSION SPRING
36	H0020600285	BOLT COUNTERWEIGHT
37	H0020600214A	SPRING SUSPENSION
38	H00212500011100	SPONGE PROTECTOR PRESSURE TUBE
39	H0020300430A	HOSE DISPENSER TUB
40	H00211320015200A	CLIP
41	H0020202906	AIR BELL
42	H0020300379A	HOSE PUMP DRAIN
43	H0020300148	HOSE DRAIN
44	H0020600050A	CLAMP HOSE VALVE
45	H0020809090	DRAIN PUMP ASSEMBLY
46	H00215200294400A	CLAMP PUMP INNER HOSE
47	H0020300387A	HOSE TUB PUMP
48	H00297023000100A	CLAMP TUB DRAIN HOSE
49	H0020203918	CAP DRAINING HOSE
50	H0020600358	BOLT SHOCK ABSORBER
51	H0020205577	PIN SHOCK ABSORBER
52	H00215000035200	WASHER STEEL
53	H0020600213	SHOCK ABSORBER
54	H0020300158A	HOSE INLET AW COLD
55	H0020202911	COVER TRANSIT BOLT
56	H0020808355B	TRANSIT BOLT WH8560J1 & WH7560

[www.fisherpaykel.com](http://www.fisherpaykel.com)

Copyright © Fisher & Paykel 2019. All rights reserved.  
The product specifications in this manual apply to the specific model described at the date of issue. Under our policy of continuous product improvement, these specifications may change at any time. Only use this manual if the product code on the front matches the product code on the serial label of the product.

**AU NZ**

**PRODUCT CODE: 62341-A 04.19**