

PARTS MANUAL

Front Load Washing Machine

HWF85DW1 HA AA

Product Code
62300-A

AU NZ

Haier

CONTENTS

INTRODUCTION	2
TOP DECK & CONTROL COMPONENTS	3
CABINET & DOOR COMPONENTS	5
BOWLS & MOTOR COMPONENTS	7

INTRODUCTION

BRAND	VOLTAGE	MODEL	PRODUCT CODE
Fisher & Paykel	220-240 50Hz	HWF85DW1 HA AA	62300-A

MODELS

The models covered by this manual are listed on the front cover. The information detailed in this manual is subject to change without notice. The latest version is indicated by the reprint date and replaces any earlier editions.

KIT PARTS

Where a part number is shown against the descriptions for these kit components, they are also available as separate items. In addition, some parts may be supplied with these kits that are not available as separate items, and are therefore either not listed, or a part number is not shown against the part description in this manual.

PARTS LIST KEY

NI	As a part reference, indicates the part is not illustrated on the diagram.
NOT USED	As a part number, indicates the diagram part reference is not used in this manual.
NS	As a part number, indicates the part is not servicable.

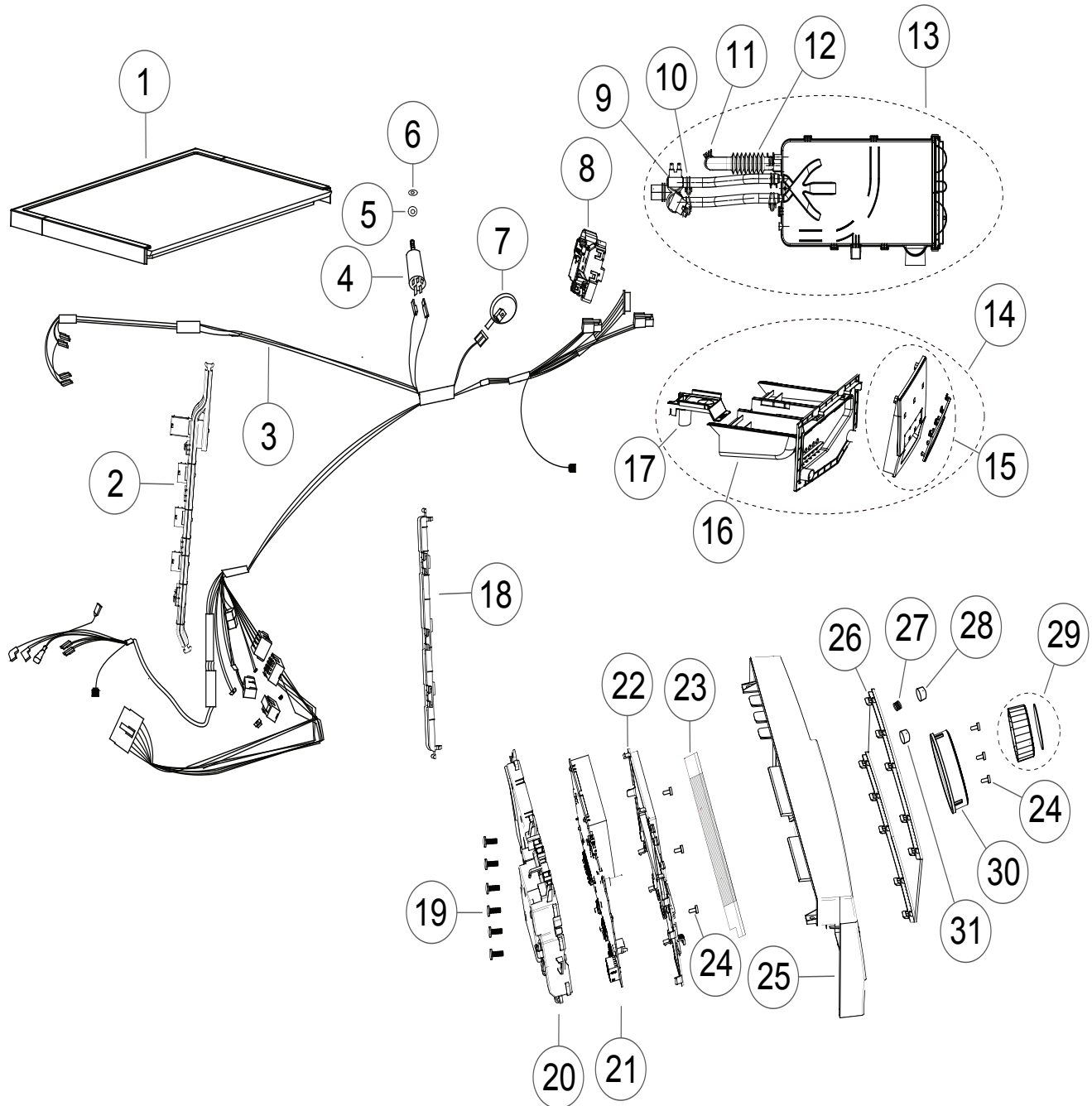
NZ

tel: 09 273 0600
fax: 09 273 0656
e-mail: nz.customercare@fisherpaykel.com
www.fisherpaykel.com/nz

AU

tel: 07 3826 9100
fax: 07 3826 9164
e-mail: aus.customercare@fisherpaykel.com
www.fisherpaykel.com/au

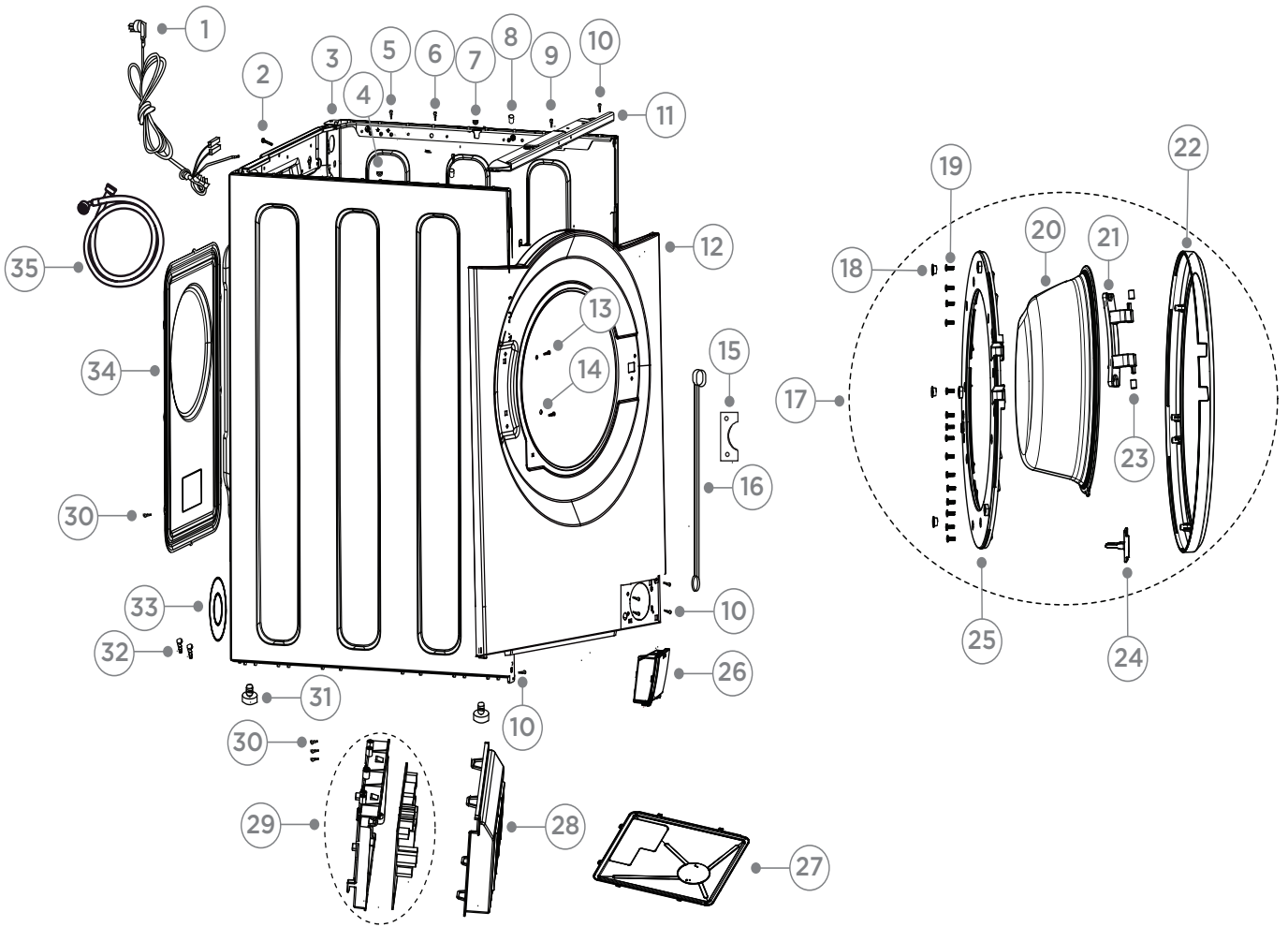
TOP DECK & CONTROL COMPONENTS



TOP DECK & CONTROL COMPONENTS

REFERENCE	PART NUMBER	PART DESCRIPTION
1	H0020807968K	TOP COVER
2	H0020204469	GUIDE HARNESS LONG
3	H0020400087E	HARNESS MOTOR
4	H0024000247B	CAPACITOR MAINS FILTER
5	H00217440540612	WASHER RFI FILTER
6	H00215000000001A	NUT
7	H0024000317	PRESSURE SENSOR
8	H0024000128A	DOOR LOCK
9	H0024000126B	VALVE INLET DUAL COLD
10	H00218230700611A	CLIP VALVE ASSY
11	H00218870330611A	CLAMP INLET HOSE
12	H0020300872	HOSE BREATHER
13	H0020808478B	DISPENSER ASSY
14	H0020809119AK	HANDLE DISPENSER ASSY
15	H0020507095V	HANDLE DISPENSER
16	H0020203202A	DISPENSER ASSY
17	H0020203198	INSERT SOFTENER SYPHON
18	H0020204470	GUIDE HARNESS SHORT
19	H0020600093A	SCREW
20	H0020204213	HOUSING DISPLAY CONTROLLER B
21	H0021800040QA	PCB DISPLAY CONTROLLER
22	H0020204214	HOUSING DISPLAY CONTROLLER A
23	H0020204276	WATERPROOF MEMBRANE
24	H0010600332	SCREW
25	H0020507280T	PANEL DISPLAY CONTROLLER
26	H0020507276H	MEMBRANE SWITCH TOUCH PANEL
27	H0020600244A	SPRING COMPRESSION
28	H0020204027B	BUTTON POWER
29	H0020205397	KNOB
30	H0020204211	GUIDE LIGHT
31	H0020204196	BUTTON START PAUSE

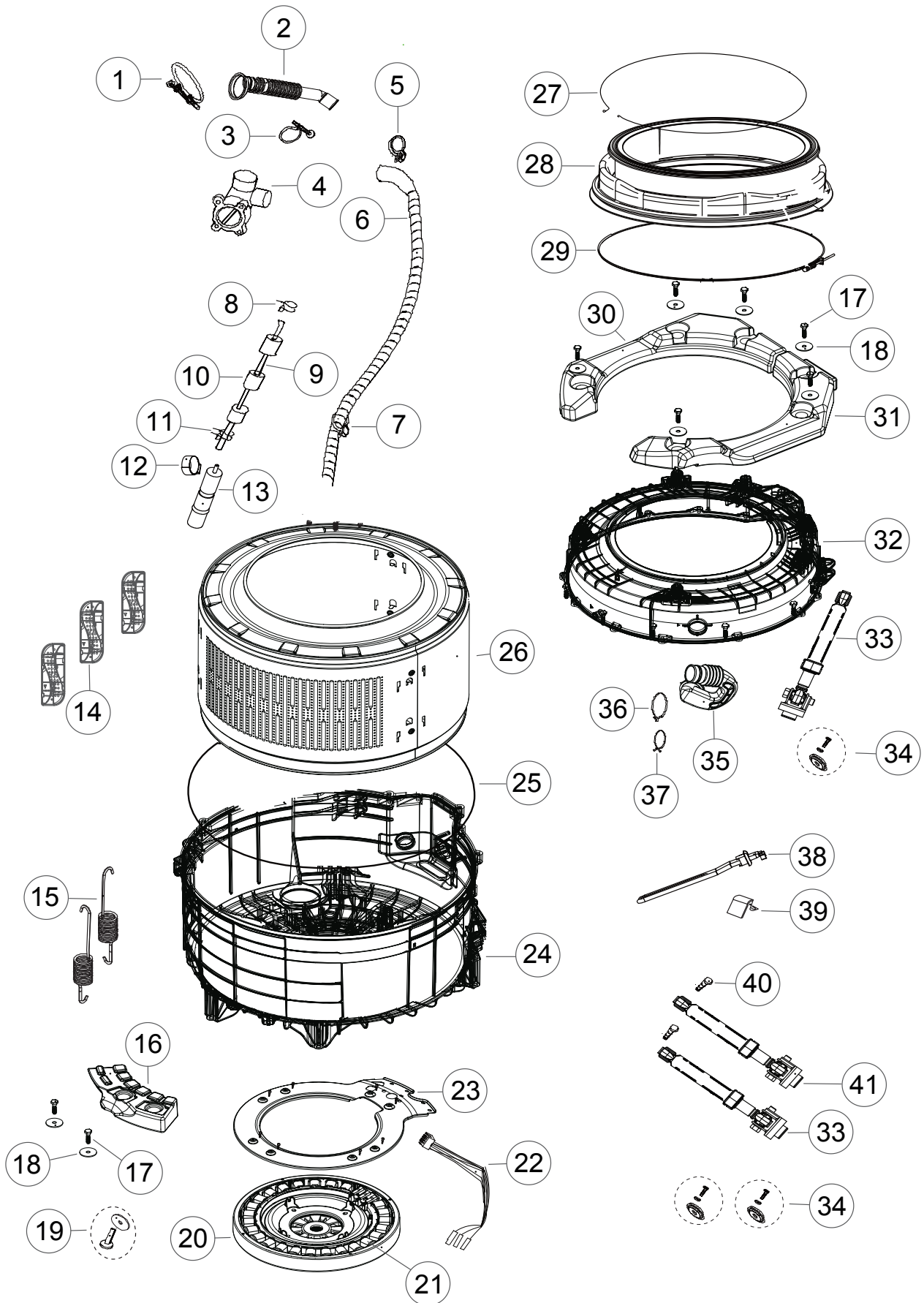
CABINET & DOOR COMPONENTS



CABINET & DOOR COMPONENTS

REFERENCE	PART NUMBER	PART DESCRIPTION
1	H0020400196F	CABLE MAINS
2	H0020600179	BOLT
3	H0020808260L	CABINET
4	H00214800503000	SUPPORT SPRING
5	H002-012G8010107	SCREW
6	H002-012G8010107	SCREW
7	H0020203391	BRACKET RH SUSPENSION SPRING
8	H0020600491	GUIDE TOP COVER
9	H02-0085104006	SCREW
10	H00216910320111A	SCREW
11	H0020103067A	BRACKET FRONT
12	H0020100810W	PANEL CABINET FRONT
13	H0020600104	BOLT SS
14	H0020103085	WASHER
15	H0020102938C	BRACKET RETAINER DOOR HINGE
16	H0020202683A	DOOR LOCK PLASTIC POLE
17	H0020808171AA	DOOR ASSY
18	H0020300740	BUFFER DOOR INNER
19	H00330810009	SCREW SELF TAPPING
20	H0021400015	PORTHOLE DOOR
21	H0020100677	HINGE
22	H0020808147AD	DOOR GLASS OUTER FRAME
23	H0020201212	CAP HINGE
24	H0020100284A	HOOK DOOR LATCH
25	H0020203565	COVER INNER DOOR
26	H0020203562	DOOR PUMP FILTER
27	H0020100547N	BASE PANEL
28	H0020205106	HOUSING B MOTOR CONTROLLER
29	H0021800035Q	PCB MOTOR CONTROLLER
30	H00216810220111A	SCREW
31	H0020300170G	FOOT
32	H0020600166	SCREW MOTOR INDUCTOR
33	H0020204516	DRAIN HOSE HOLDER
34	H0020808584	PANEL REAR COVER
35	H0020300158A	HOSE INLET AW COLD

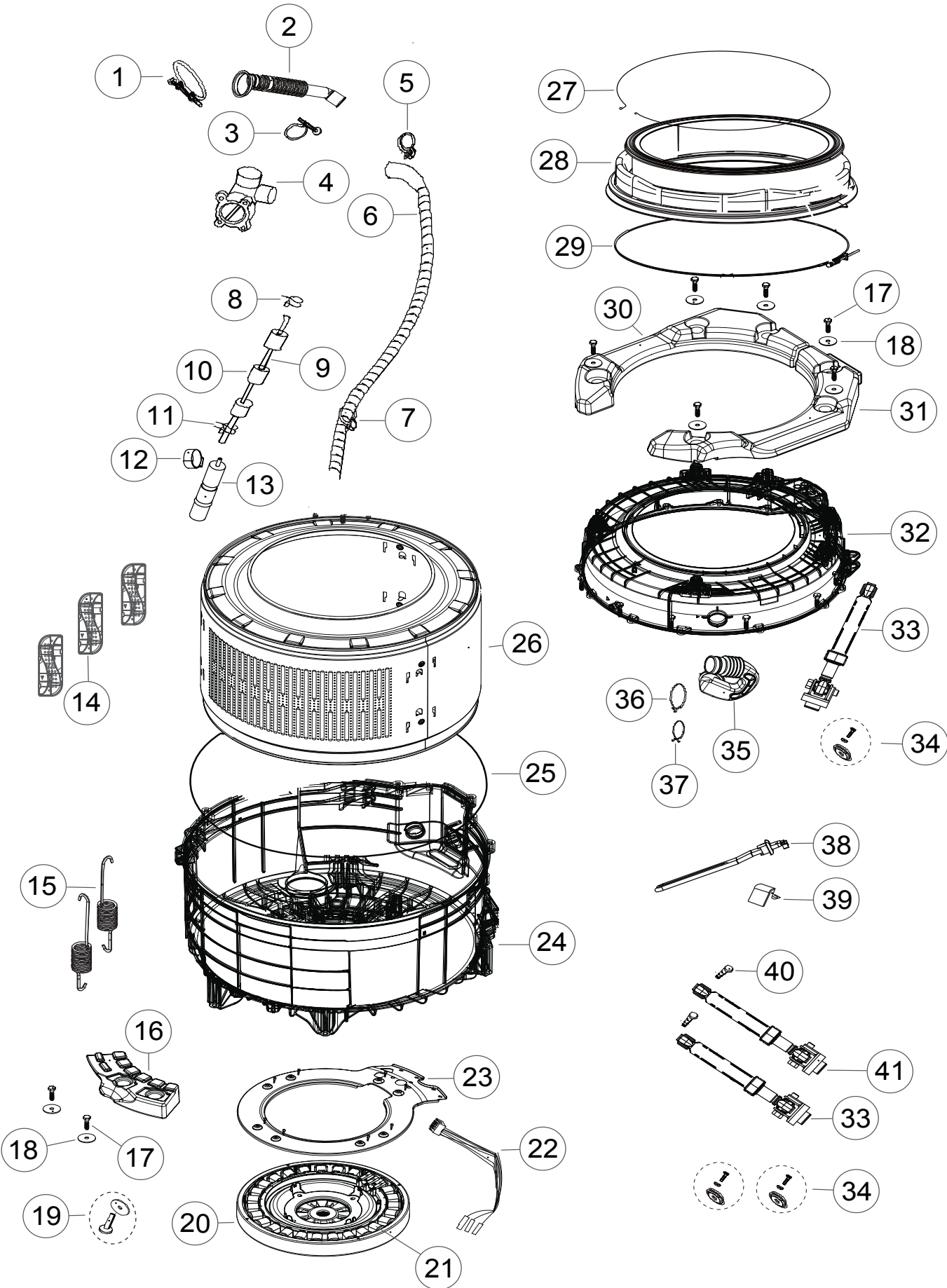
BOWLS & MOTOR COMPONENTS



BOWLS & MOTOR COMPONENTS

REFERENCE	PART NUMBER	PART DESCRIPTION
1	H00297023000100A	CLAMP TUB DRAIN HOSE
2	H0020300387A	HOSE TUB PUMP
3	H00215200294400A	CLAMP PUMP INNER HOSE
4	H0022150033660401A	PUMP AW
5	H0020600050A	CLAMP HOSE VALVE
6	H0020300148	HOSE DRAIN
7	H00221120363014	CLAMP HOSE DRAIN PUMP
8	H00218210650611A	CLIP
9	H00214401362902A	TUBE PRESSURE
10	H00212500011100	SPONGE PROTECTOR PRESSURE TUBE
11	H00211320015200A	CLIP
12	H00215200004402	CLIP PRESSURE TUBE
13	H0020202906	AIR BELL
14	H0020203152A	DRUM VANE
15	H0020600214	SPRING SUSPENSION
16	H0020300793	COUNTER WEIGHT REAR
17	H0020600285	BOLT COUNTERWEIGHT
18	H0020600147A	WASHER COUNTER WEIGHT
19	H0020600404	BOLT ROTOR
20	H0024000329	ROTOR
21	H0024000329A	STATOR
22	H0020400087E	HARNESS MOTOR
23	H0020809325A	SHIELD FLAME
24	H0020808199GA	REAR TUB 7/7.5 8/8.5 KG P & F
25	H0020300510	SEAL TUB FRONT TO REAR
26	H0020808261BA	INNER DRUM 8 / 8.5KG P & F
27	H0020600081	CLAMP DOOR BELLOWS
NI	H00214800021100	DOOR CLAMP NUT NYLON
28	H0020300590D	BELLOWS
29	H0020600211	CLAMP TUB BELLOWS
30	H0020300792D	COUNTERWEIGHT LH
31	H0020300792E	COUNTERWEIGHT RH
32	H0020203541A	TUB FRONT
33	H0020808145G	ABSORBER SHOCK (60N)

BOWLS & MOTOR COMPONENTS



BOWLS & MOTOR COMPONENTS

REFERENCE	PART NUMBER	PART DESCRIPTION
34	H0020600403	BOLT SHOCK ABSORBER
35	H0020300797	HOSE DISPENSER TUB
36	H00211320018800A	CLAMP 43 TUB DISPENSER
37	H00218230460611A	CLAMP BOWL VENT CABINET
38	H0024000279	ELEMENT HEATER
39	H0020100432	BRACKET HEATER
40	H0020205577	PIN SHOCK ABSORBER
41	H0020808145G	ABSORBER SHOCK (60N)

www.fisherpaykel.com

Copyright © Fisher & Paykel 2018. All rights reserved.
The product specifications in this manual apply to the specific model described at the date of issue. Under our policy of continuous product improvement, these specifications may change at any time. Only use this manual if the product code on the front matches the product code on the serial label of the product.

AU NZ

PRODUCT CODE: 62300-A 04.18