

# **PARTS MANUAL**

**Front Load Washing Machine**

HWF85BW1 HA AA

Product Code  
**61397-A**

AU NZ

# **Haier**

# CONTENTS

---

INTRODUCTION	2
TOP DECK & CONTROL COMPONENTS	3
CABINET COMPONENTS	5
BOWL COMPONENTS	7

# INTRODUCTION

---

<b>BRAND</b>	<b>VOLTAGE</b>	<b>MODEL</b>	<b>PRODUCT CODE</b>
Haier	220-240 50Hz	HWF85BW1 HA AA	61397-A

---

## MODELS

The models covered by this manual are listed on the front cover. The information detailed in this manual is subject to change without notice. The latest version is indicated by the reprint date and replaces any earlier editions.

## KIT PARTS

Where a part number is shown against the descriptions for these kit components, they are also available as separate items. In addition, some parts may be supplied with these kits that are not available as separate items, and are therefore either not listed, or a part number is not shown against the part description in this manual.

## PARTS LIST KEY

<b>NI</b>	As a part reference, indicates the part is not illustrated on the diagram.
<b>NOT USED</b>	As a part number, indicates the diagram part reference is not used in this manual.
<b>NS</b>	As a part number, indicates the part is not servicable.

---

## NZ

Fisher & Paykel Appliances Ltd  
78 Springs Road, East Tamaki  
Manukau 2013  
PO Box 58-546 Botany  
Manukau 2163  
New Zealand

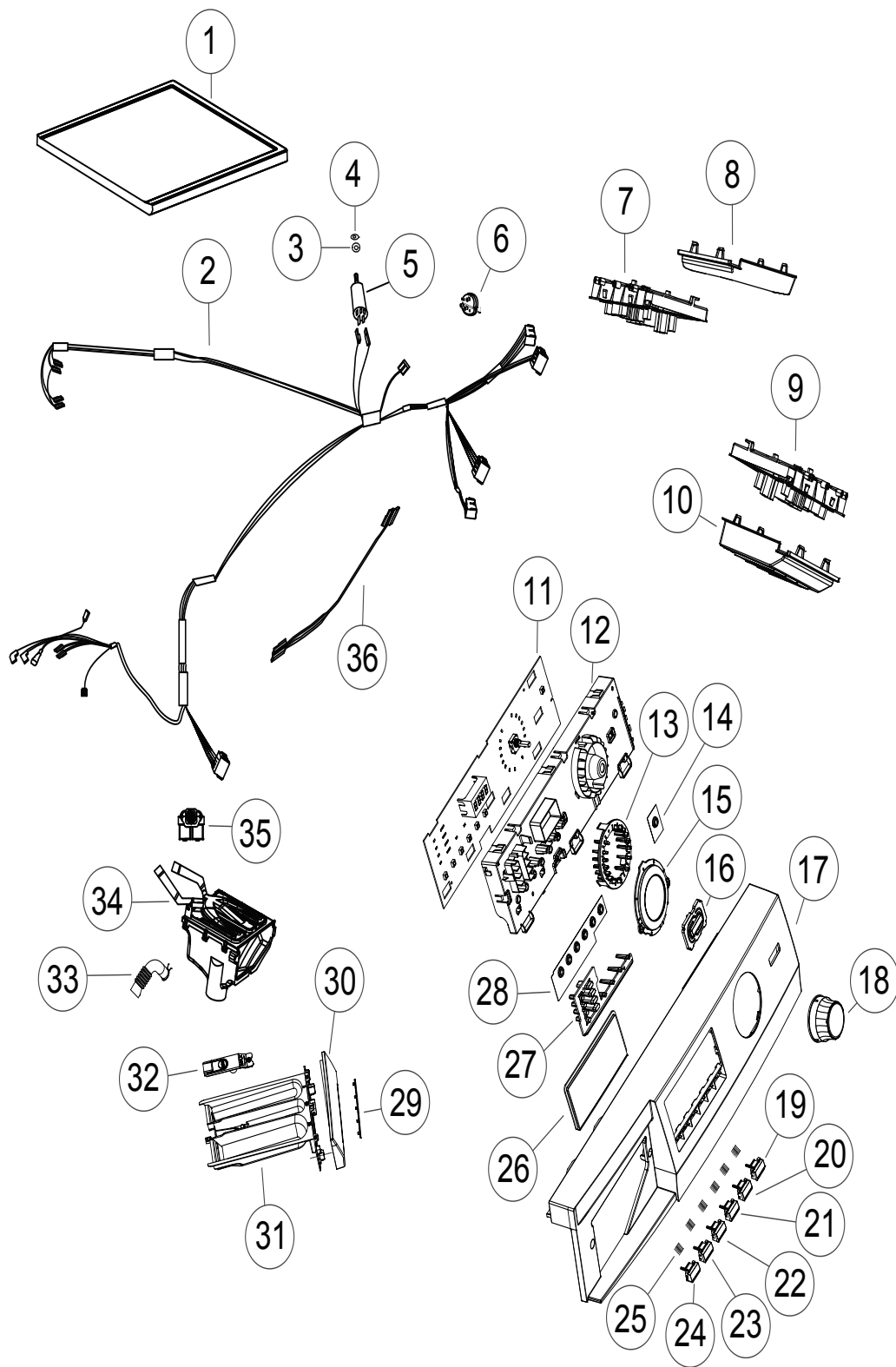
tel: 09 273 0600  
fax: 09 273 0656  
e-mail: nz.customercare@fisherpaykel.com

## AU

Fisher & Paykel Customer Services Pty Ltd  
PO Box 798, Cleveland, QLD 4163  
A.C.N. 003 3335 171  
19 Enterprise Street  
Cleveland, QLD 4163  
Australia

tel: 07 3826 9100  
fax: 07 3826 9164  
e-mail: aus.customercare@fisherpaykel.com

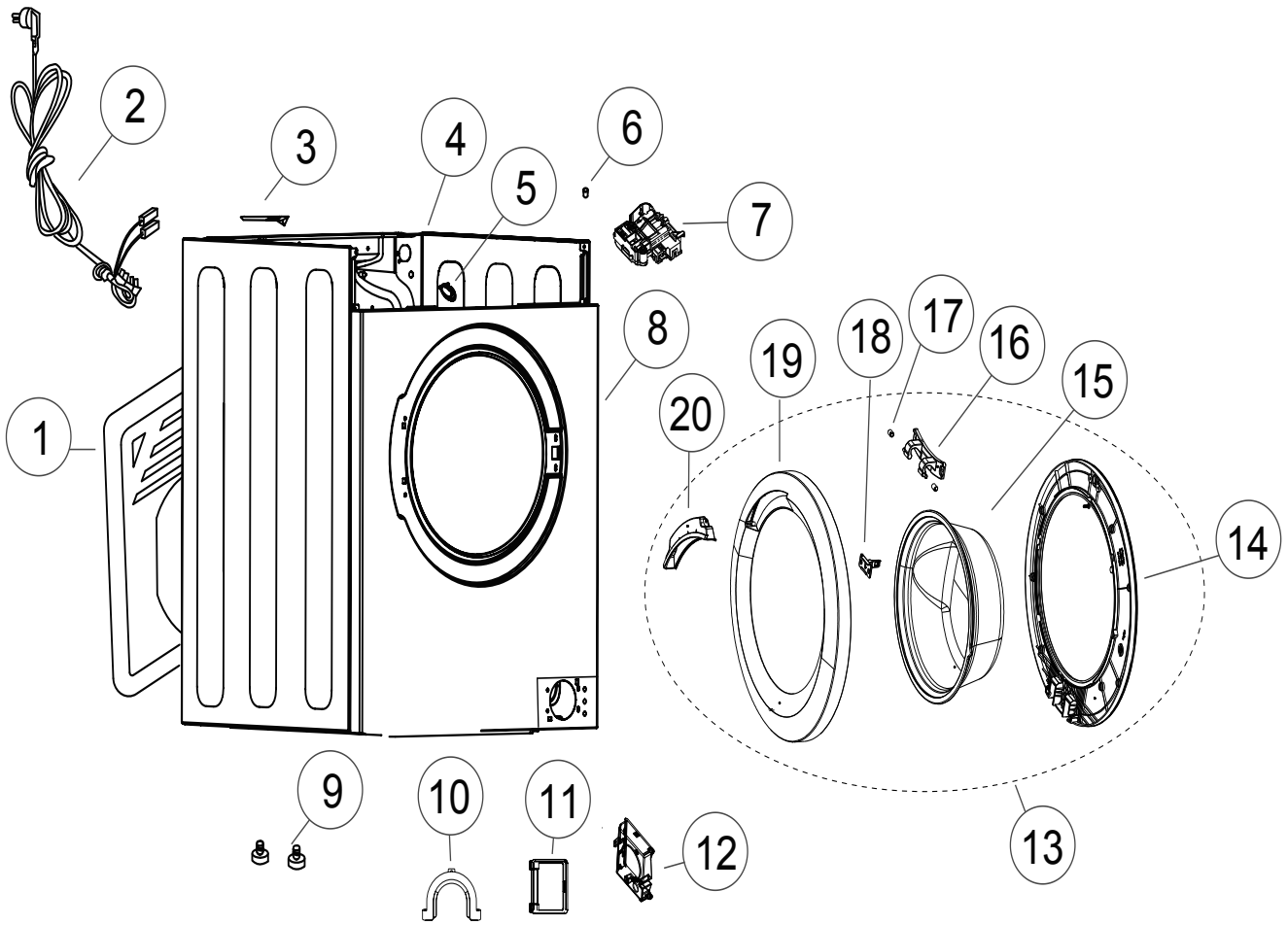
# TOP DECK & CONTROL COMPONENTS



## TOP DECK & CONTROL COMPONENTS

REFERENCE	PART NUMBER	PART DESCRIPTION
1	H0020807969B	TOP COVER
2	H0020400462J	WIRING HARNESS
3	H00217440540612	WASHER RFI FILTER
4	H00215000000001A	NUT
5	H0024000247B	CAPACITOR MAINS FILTER
6	H0024000399A	PRESSURE SWITCH WATER LEVEL
7	H0020205561	COVER POWER BOARD
8	H0021800151	POWER BOARD
9	H0021800035H	MOTOR CONTROLLER
10	H0020205106	HOUSING B MOTOR CONTROLLER
11	H0021800095U	PCB
12	H0020205155	COVER DISPLAY
13	H0020205007	GUIDE LIGHT KNOB
14	H0020205032	SEAL POWER BUTTON
15	H0020507854D	BEZEL KNOB
16	H0020205006	BUTTON POWER
17	H0020507803JH	CONTROL PANEL
18	H0020205397	KNOB
19	H0020507819A	START/PAUSE BUTTON GREY
20	H0020205004A	DELAY BUTTON GREY
21	H0020205003A	EXTRA RINSE BUTTON GREY
22	H0020205002A	INTENSE BUTTON GREY
23	H0020205001A	SPIN SPEED BUTTON
24	H0020205000A	WASH TEMP BUTTON GREY
25	H0020600244	SPRING BUTTON
26	H0020507782AH	DECAL CONTROL PANEL
27	H0020205154	GUIDE LIGHT DISPLAY SCREEN
28	H0020205011	SEAL FUNCTION BUTTON
29	H0020204039B	DECAL HANDLE
30	H0020507095V	HANDLE DISPENSER
31	H0020203202A	DISPENSER ASSY
32	H0020203198	INSERT SOFTENER SYPHON
33	H0020300594	HOSE DISPENSER TUB
34	H0020805732AS	WATER TANK ASSY
35	H0024000126B	VALVE INLET DUAL COLD
36	H0020400087P	MOTOR HARNESS

# CABINET COMPONENTS

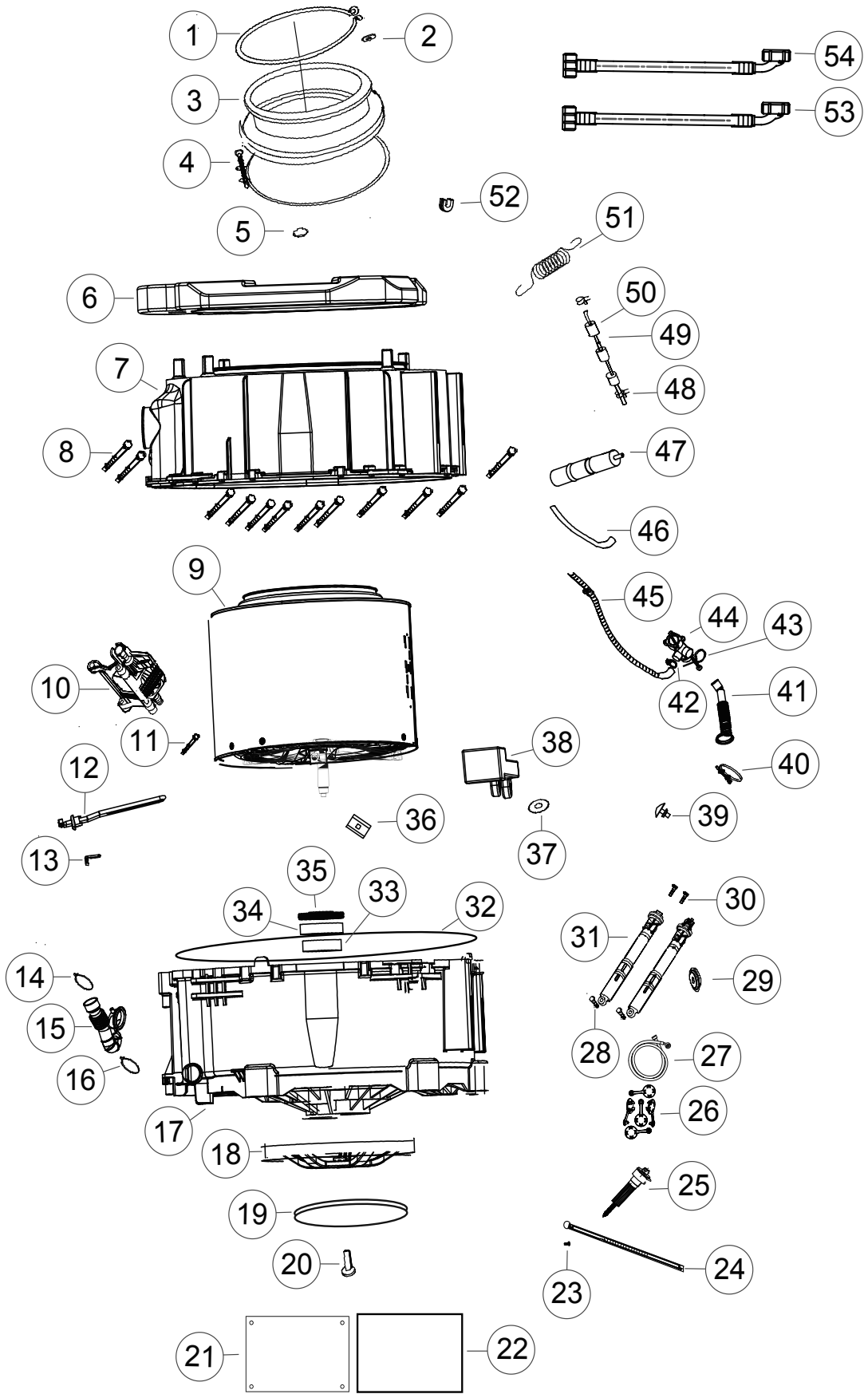


DWG004292

## CABINET COMPONENTS

REFERENCE	PART NUMBER	PART DESCRIPTION
1	H0020808585E	BACK PLATE WHITE
2	H0020400196F	CABLE MAINS
3	H0020103067A	BRACKET FRONT
4	H0020808885BB	CABINET HWF85BW1
5	H00214800503000	SUPPORT SPRING
6	H0020600491	GUIDE TOP COVER
7	H0024000128D	DOOR LOCK
8	H0020100810S	PANEL FRONT WHITE
9	H0020300170G	FOOT
10	H00221123015002	BRACKET DRAIN HOSE
11	H0020203562	DOOR PUMP FILTER
12	H0020203564	DOOR PUMP FILTER
13	H0020808657G	DOOR ASSY WHITE
14	H0020204167	FRAME INNER SIGHT WINDOW
15	H0021400015	PORTHOLE DOOR
16	H0020100677	HINGE
17	H0020201212	CAP HINGE
18	H0020100284A	HOOK DOOR LATCH
19	H0020204127	FRAME OUTER SIGHT WINDOW
20	H0020204168	DOOR HANDLE

# BOWL COMPONENTS

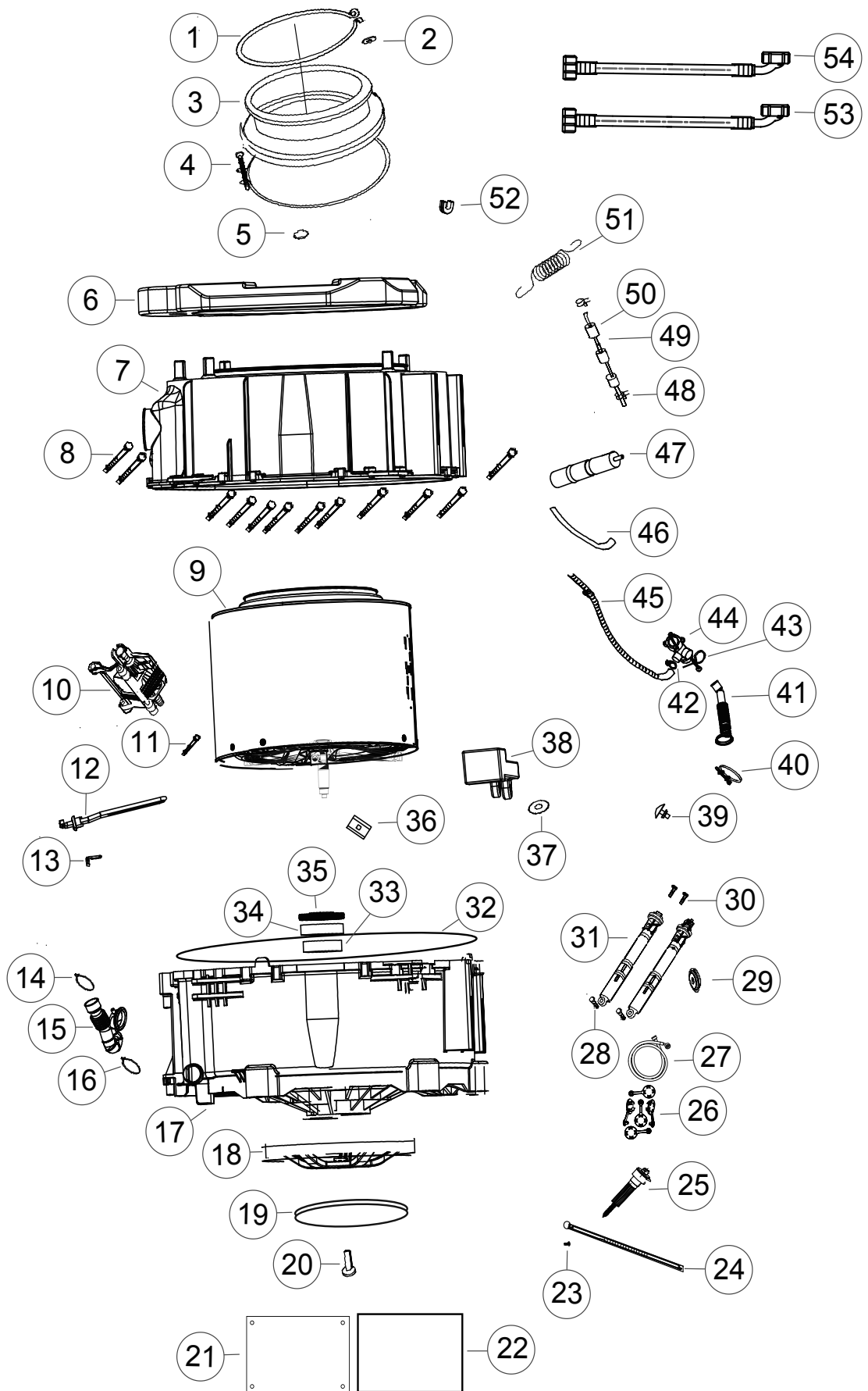




## BOWLS COMPONENTS

REFERENCE	PART NUMBER	PART DESCRIPTION
1	H0020600081	CLAMP DOOR BELLOWS
2	H00214800021100	NUT NYLON
3	H0020301184	DOOR GASKET
4	H0020600211	CLAMP TUB BELLOWS
NI	H00214800021100	DOOR CLAMP NUT NYLON
5	H0020600147A	WASHER COUNTER WEIGHT
6	H0020300589B	COUNTERWEIGHT FRONT LOWER
7	H0020203176	TUB FRONT 7KG
8	H00215100001000	SCREW
9	H0020806265B	DRUM ASSEMBLY
10	H0024000389B	MOTOR
11	H00215100001000	SCREW
12	H0024000279	ELEMENT HEATER
13	H0020100432	BRACKET HEATER
14	H00218230550611	CLIP DISPENSOR HOSE
15	H0020300594	HOSE DISPENSER TUB
16	H00211320018800A	CLAMP 43 TUB DISPENSER
17	H0020806428B	REAR TUB ASSY
18	H0020100615	PULLEY
19	H0020300592	BELT
20	H00215000014000B	BOLT PULLEY
21	H0020501896B	PLATE BOTTOM
22	H0020300035	CUSHION FELT
23	H00216910320111A	SCREW
24	H0020400560A	EARTH WIRE
25	H0020808355B	TRANSIT BOLT WH8560J1 & WH7560
26	H0020202911	COVER TRANSIT BOLT
27	H0020300158A	HOSE INLET AW COLD
28	H0020205577	PIN SHOCK ABSORBER
29	H00215000035200	WASHER STEEL
30	H0020600358	BOLT SHOCK ABSORBER

# BOWL COMPONENTS



## BOWL COMPONENTS

REFERENCE	PART NUMBER	PART DESCRIPTION
31	H0020600213	SHOCK ABSORBER
32	H0020300510	SEAL TUB FRONT TO REAR
33	H0020600157	BEARING 6306
34	H0020600219	BEARING INNER 6305-2RS
35	H0020300341B	LIP SEAL
36	H0020600360	BOLT M8 55
37	H00217600790008A	WASHER
38	H0020300344K	COUNTER WEIGHT UPPER
39	H0020203918	CAP DRAINING HOSE
40	H00297023000100A	CLAMP TUB DRAIN HOSE
41	H0020300387A	HOSE TUB PUMP
42	H0020600050A	CLAMP HOSE VALVE
43	H00215200294400A	CLAMP PUMP INNER HOSE
44	H0022150033660401A	PUMP AW
45	H0020300148	HOSE DRAIN
46	H0020300379A	HOSE PUMP DRAIN
47	H0020202906	AIR BELL
48	H0020600050A	CLAMP HOSE VALVE
49	H0020300430A	HOSE DISPENSER TUB
50	H00212500011100	SPONGE PROTECTOR PRESSURE TUBE
51	H0020600214	SPRING SUSPENSION
52	H0020203391	BRACKET RH SUSPENSION SPRING
53	H0020300158A	HOSE INLET AW COLD
54	H0020300159A	INLET HOSE HOT

[www.fisherpaykel.com](http://www.fisherpaykel.com)

Copyright © Fisher & Paykel Appliances Ltd 2019. All rights reserved.  
The product specifications in this document apply to the specific model described at the date of issue. Under our policy of continuous product improvement, these specifications may change at any time. Only use this manual if the product code on the front matches the product code on the serial label of the product.

**AU NZ**

**PRODUCT CODE: 61397-A 07.19**