

# **PARTS MANUAL**

**Top Load Washing Machine**

HWT12MW2 HA AA

Product Code  
**61395-A**

AU NZ

# **Haier**

# CONTENTS

---

INTRODUCTION	2
TOP CONSOLE COMPONENTS	3
CABINET COMPONENTS	5
BOWLS & MOTOR COMPONENTS	7

# INTRODUCTION

---

<b>BRAND</b>	<b>VOLTAGE</b>	<b>MODEL</b>	<b>PRODUCT CODE</b>
Fisher & Paykel	220-240 50Hz	HWT12MW2 HA AA	61395-A

---

## MODELS

The models covered by this manual are listed on the front cover. The information detailed in this manual is subject to change without notice. The latest version is indicated by the reprint date and replaces any earlier editions.

## KIT PARTS

Where a part number is shown against the descriptions for these kit components, they are also available as separate items. In addition, some parts may be supplied with these kits that are not available as separate items, and are therefore either not listed, or a part number is not shown against the part description in this manual.

## PARTS LIST KEY

<b>NI</b>	As a part reference, indicates the part is not illustrated on the diagram.
<b>NOT USED</b>	As a part number, indicates the diagram part reference is not used in this manual.
<b>NS</b>	As a part number, indicates the part is not servicable.

---

## NZ

Fisher & Paykel Appliances Ltd  
78 Springs Road, East Tamaki  
Manukau 2013  
PO Box 58-546 Botany  
Manukau 2163  
New Zealand

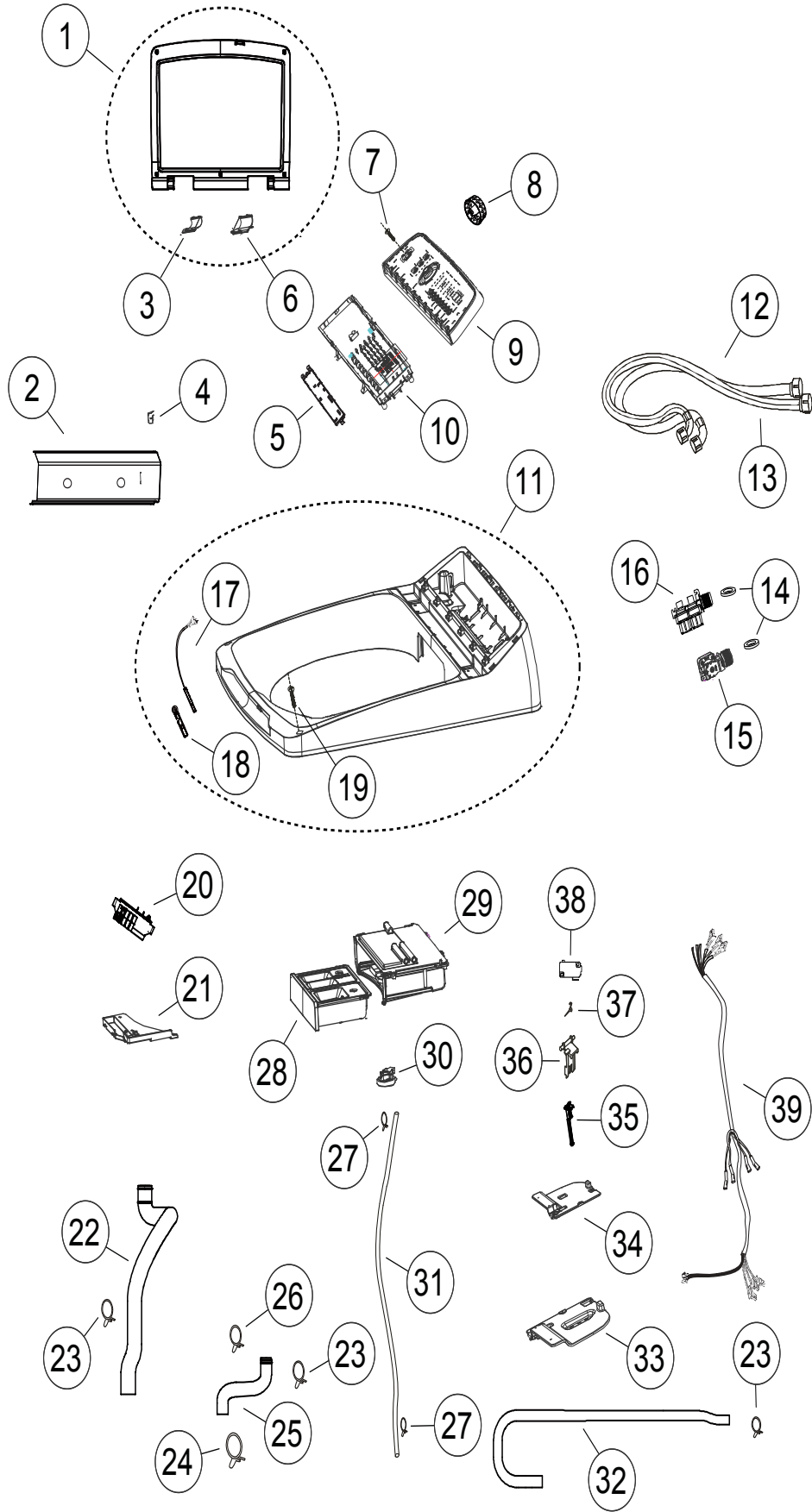
tel: 09 273 0600  
fax: 09 273 0656  
e-mail: nz.customercare@fisherpaykel.com

## AU

Fisher & Paykel Customer Services Pty Ltd  
PO Box 798, Cleveland, QLD 4163  
A.C.N. 003 3335 171  
19 Enterprise Street  
Cleveland, QLD 4163  
Australia

tel: 07 3826 9100  
fax: 07 3826 9164  
e-mail: aus.customercare@fisherpaykel.com

# TOP CONSOLE COMPONENTS



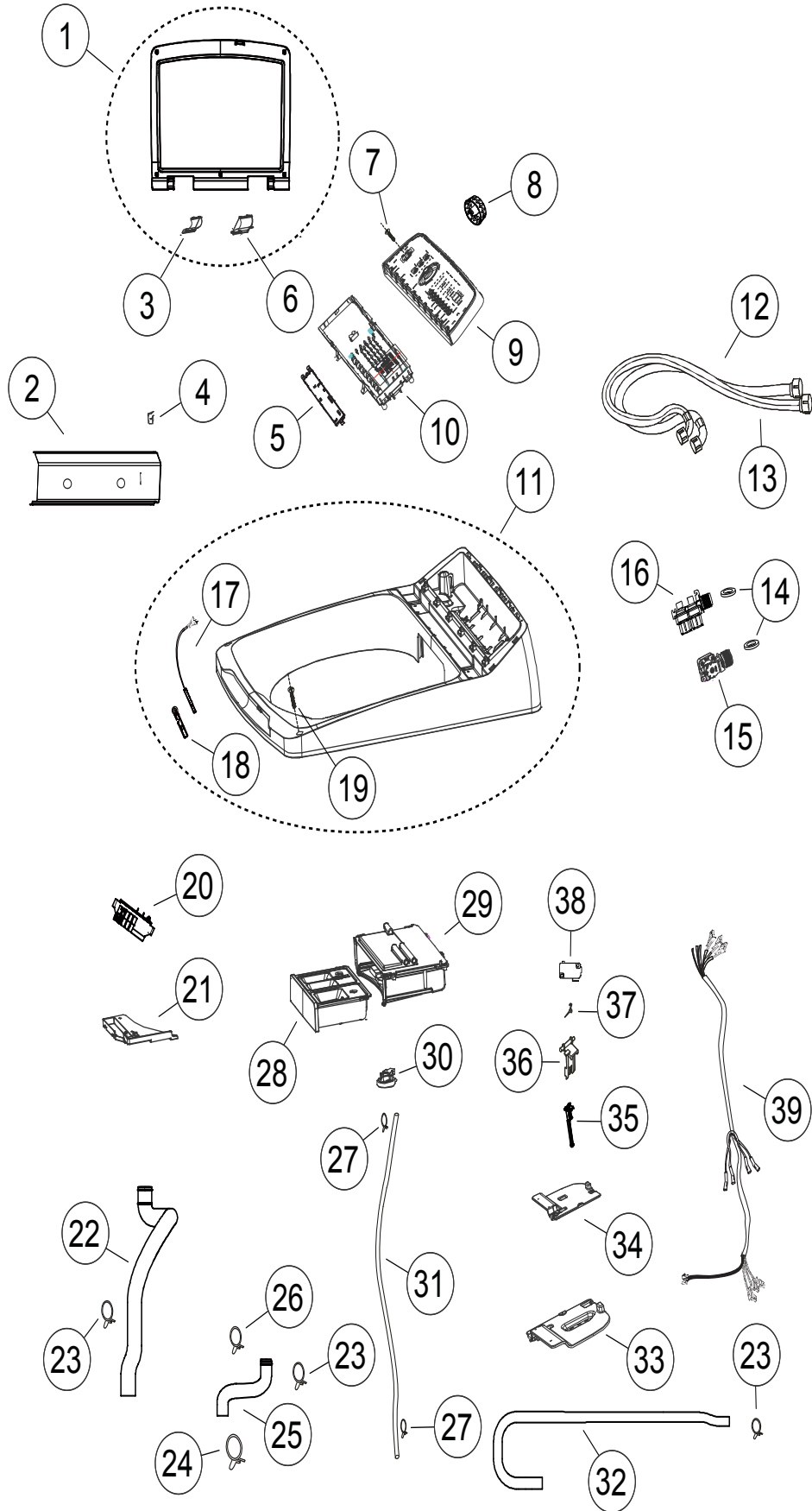
DWG004507

DWG004507

## TOP CONSOLE COMPONENTS

REFERENCE	PART NUMBER	PART DESCRIPTION
1	H0030813839E	TOP LID ASSY - PRE 25 JAN 2019
		PRE 25 JAN 2019 LID - MUST ORDER 3 NI ITEMS BELOW
NI	H0030814806J	DAMPER LEFT - PRE 25 JAN 2019
NI	H0030814806K	DAMPER RIGHT - PRE 25 JAN 2019
NI	H00330802005A	SCREW - PRE 25 JAN 2019 - (ORDER 6)
1	H0030813839E	TOP LID ASSY - POST 25 JAN 2019
2	H0030102206	PCB COVER
3	H0030207975	HINGE COVER
4	H0030208544A	SCREW COVER
5	H0031800083D	PCB
6	H0030207976	HINGE COVER
7	H00330802005A	SCREW
8	H0030209305	KNOB
9	H0030813761	CONTROL PANEL
10	H0031800113A	DISPLAY BOARD
11	H0030813386	TOP DECK ASSY
12	420375P	HOSE INLET ASSY MIFLEX II(PKD)
13	H0030802835	HOSE INLET HOT
14	H00330103014	GASKET WATER INLET
15	H0034000570A	HOT INLET VALVE
16	H0034000889P	COLD INLET VALVE
17	H0034000405A	SWITCH REED
18	H00330109027	DRY REED PIPE SUPPORT
19	H00330802053	SCREW 15 ST4.2 X 12-B
20	H0034001068A	DOOR LOCK
21	H0030208113	SPLASH SHIELD RH BACK
22	H0030300905	HOSE FILL
23	H0030100854	CLAMP INLET TUBE
24	H00218870330611A	CLAMP INLET HOSE
25	H0030300839	HOSE FILL
26	H0030100320A	CLAMP INLET HOSE
27	H00330602003A	CLAMP PRESSURE TUBE HOSE
28	H0030813849	DETERGENT DRAW
29	H0030812677B	DETERGENT BOX
30	H0034001009B	PRESSURE SWITCH

# TOP CONSOLE COMPONENTS



DWG004507

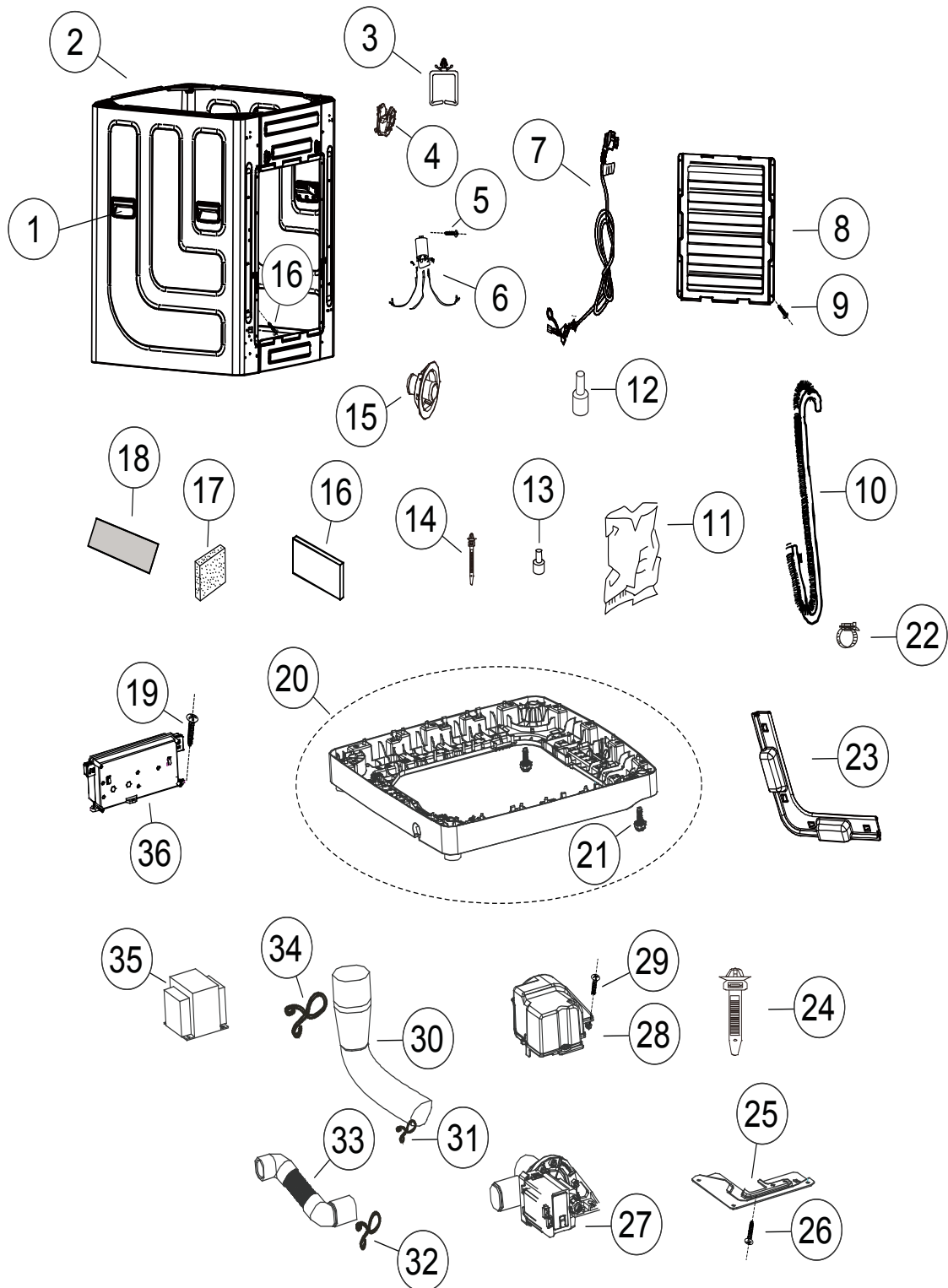
DWG004507

## TOP CONSOLE COMPONENTS

---

REFERENCE	PART NUMBER	PART DESCRIPTION
31	H0030201143S	TUBE PRESSURE
32	H0030300838	HOSE FILL
33	H0030208082	SPLASH SHIELD
34	H0030208083	SPLASH SHIELD
35	H0030206512	LEVER OUT OF BALANCE
36	H0030206510	LEVER SEAT
37	H00330603004	SPRING OUT OF BALANCE
38	H00330503062	SWITCH OUT OF BALANCE
39	H0030400719E	WIRING HARNESS

# CABINET COMPONENTS



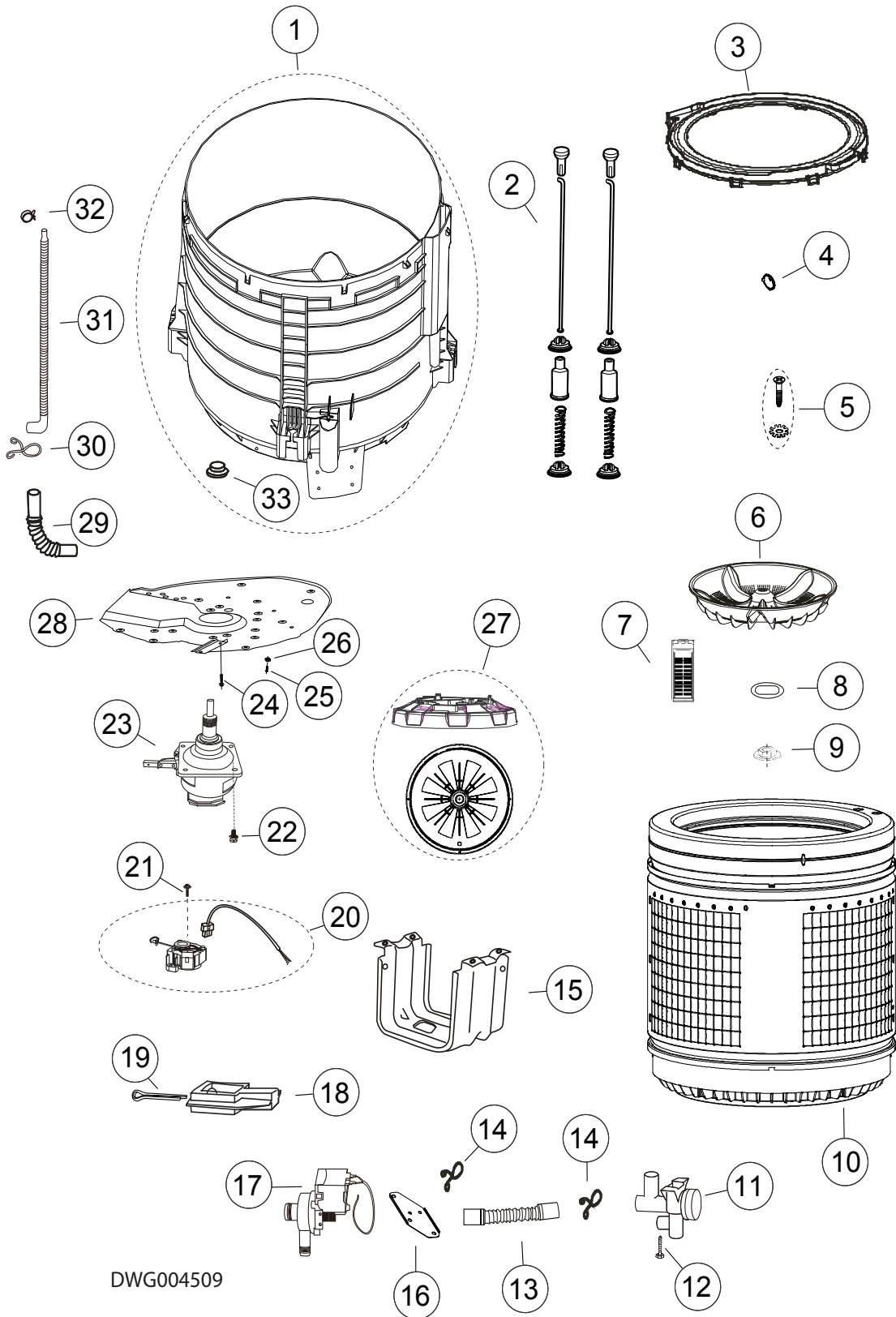
DWG004508



## CABINET COMPONENTS

REFERENCE	PART NUMBER	PART DESCRIPTION
1	H0030207316E	HANDLE CABINET
2	H0030812716A	WRAPPER
3	H0030201442A	HARNESS WIRE HOLDER
4	H0030208194A	HOOK
5	H00330802004A	SCREW
6	H0034000883E	EMI FILTER
7	H0030400126A	MAINS CABLE
8	H0030101745	BACK PANEL
9	H00330802001A	SCREW
10	H0030806881A	HOSE DRAIN
11	H0030508588G	SAFEGUARD BAG
12	H00330105503	BUSH A
13	H00330105504	BUSH B
14	H00214800909100	CLIP HARNESS
15	H0030200631A	DRAIN CONNECTOR
16	H00330104012A	GASKET BUFFER
17	H00330104007C	CABINET BUFFER
18	H0030204065	PAD FELT
19	H00330802062A	SCREW FASTENING
20	H0030812508D	BASE ASSY
21	H0030812346	FOOT
22	H0030100870	CLAMP DRAIN HOSE
23	H0030208384	WIRING COVER
24	H00214800909100	CLIP HARNESS
25	H0030102178	SUPPORT PLATE
26	H0030600010	BOLT DRAIN PUMP
27	H00330509004A	PUMP
28	H0030208519	PUMP COVER
29	H00330810033	SCREW CS 17 ST4 X 14
30	H0030300656A	BOWL PUMP HOSE
31	H0030100047	CLAMP TUB DRAIN
32	H0030100043	CLAMP PUMP INNER DRAIN
33	H0030208763	PUMP CABINET HOSE
34	H0030100132	CLAMP HOSE DRAIN
35	H0024000926A	REACTANCE
36	H00330507070F	MOTOR CONTOLLER

# BOWLS & MOTOR COMPONENTS



DWG004509

DWG004509

## BOWLS & MOTOR COMPONENTS

REFERENCE	PART NUMBER	PART DESCRIPTION
1	H0030811501B	OUTER TUB
2	H0030812457B	SUSPENSION ROD
3	H0030206791B	NECK RING
4	H0030202331D	PULSATOR CAP
5	H00330057500	BOLT ASSEMBLY PULSATOR
6	H0030203925H	PULSATOR
7	H0030811660	LINT FILTER
8	H00330303035	INNER TUB CUSHION
9	H00330303038	NUT BOWL FASTENER
10	H0030808934J	INNER TUB
11	H0030209967	DIVERTER VALVE
12	H00330812014A	SCREW SELF TAPPING
13	H0030811574	INNER DRAIN HOSE
14	H0030100132	CLAMP HOSE DRAIN
15	H0030101744	U-SHIELD
16	H0030101655	DRAIN PUMP BRACKET
17	H0034000110D	PUMP DRAIN / RECIR PUMP
18	H0030203279	CONNECTING ARM
19	H0030600184	ROD CONNECTING
20	H0034000764	ACTUATOR BRAKE
21	H00330812004A	BOLT
22	H00330810063	BOLT COMPONENT A
23	H0030804246B	TRANSMISSION
24	H00330802019A	SCREW SELF TAPPING
25	H00330804001A	SCREW EARTHING
26	H00330820500	WASHER CUP
27	H0034001033D	MOTOR ASSY
28	H0030100187B	TRANSMISSION BASE SUPPORT
29	H0030200188	OVERFLOW TUBE
30	H0030100007	CLAMP DRAIN INNER TUB
31	H0030806906B	DRAIN HOSE
32	H0030100132	CLAMP HOSE DRAIN
33	H00330101020	COVER AIR BELL

[www.fisherpaykel.com](http://www.fisherpaykel.com)

Copyright © Fisher & Paykel 2018. All rights reserved.  
The product specifications in this manual apply to the specific model described at the date of issue. Under our policy of continuous product improvement, these specifications may change at any time. Only use this manual if the product code on the front matches the product code on the serial label of the product.

**AU NZ**

**PRODUCT CODE: 61395-A 03.18**