

PARTS MANUAL

Top Load Washing Machine

HWT10MW1 HA AA

Product Code
61389-A

AU NZ

Haier

CONTENTS

INTRODUCTION	2
TOP CONSOLE COMPONENTS	3
CABINET COMPONENTS	5
BOWLS & MOTOR COMPONENTS	7

INTRODUCTION

BRAND	VOLTAGE	MODEL		PRODUCT CODE
Fisher & Paykel	220-240 50Hz	HWT10MW1	HA AA	61389-A

MODELS

The models covered by this manual are listed on the front cover. The information detailed in this manual is subject to change without notice. The latest version is indicated by the reprint date and replaces any earlier editions.

KIT PARTS

Kit components are shown in italics. Where a part number is shown against the descriptions for these kit components, they are also available as separate items. In addition, some parts may be supplied with these kits that are not available as separate items, and are therefore either not listed, or a part number is not shown against the part description in this manual.

PARTS LIST KEY

ITALICS	Kit components or parts included are shown in italics. Refer to above notes: Kit Parts.
NI	As a part reference, indicates the part is not illustrated on the diagram.
NOT USED	As a part number, indicates the diagram part reference is not used in this manual.
NS	As a part number, indicates the part is not servicable.

NZ

Fisher & Paykel Appliances Ltd
78 Springs Road, East Tamaki
Manukau 2013
PO Box 58-546 Botany
Manukau 2163
New Zealand

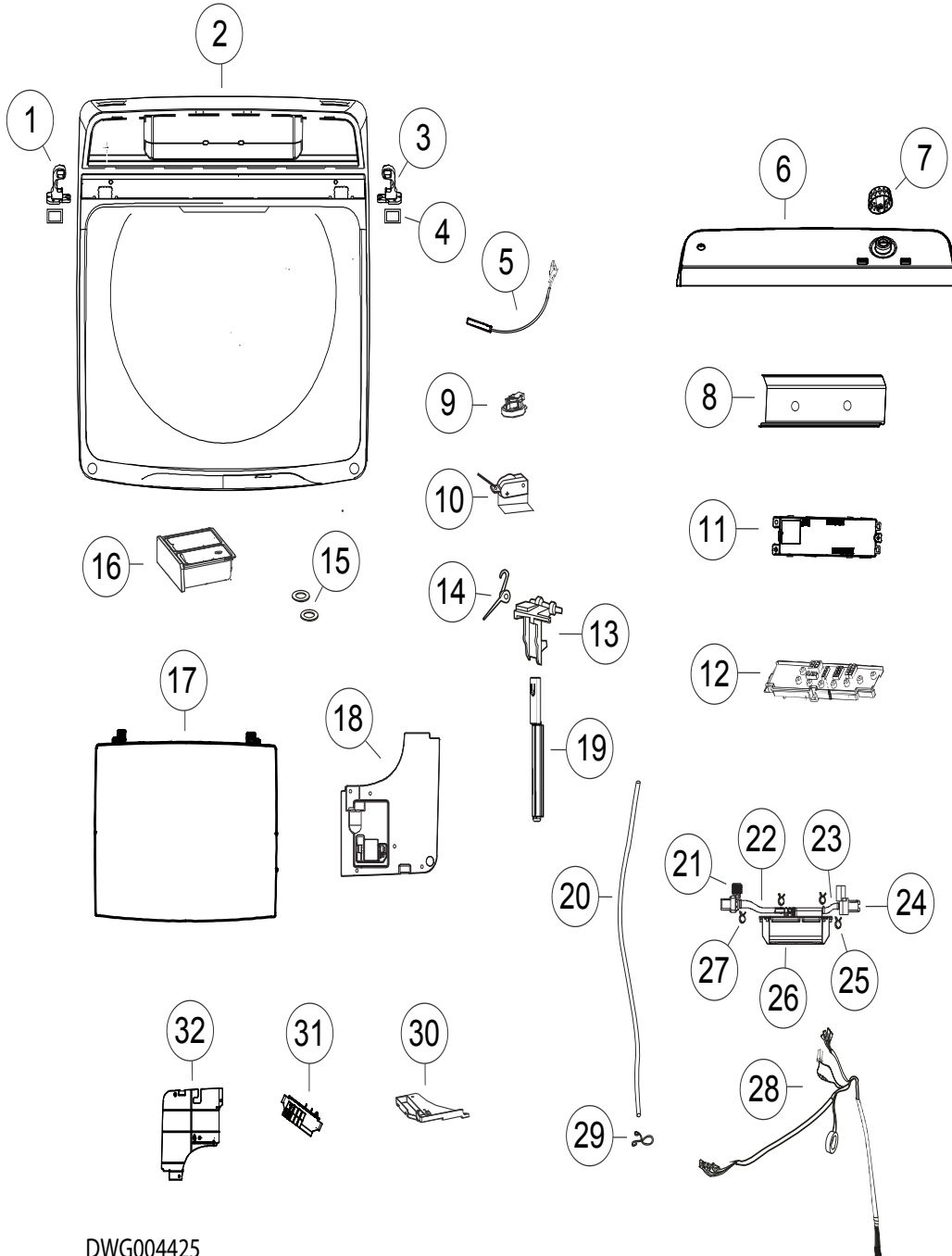
tel: 09 273 0600
fax: 09 273 0656
e-mail: nz.customercare@fisherpaykel.com

AU

Fisher & Paykel Customer Services Pty Ltd
PO Box 798, Cleveland, QLD 4163
A.C.N. 003 3335 171
19 Enterprise Street
Cleveland, QLD 4163
Australia

tel: 07 3826 9100
fax: 07 3826 9164
e-mail: aus.customercare@fisherpaykel.com

TOP CONSOLE COMPONENTS



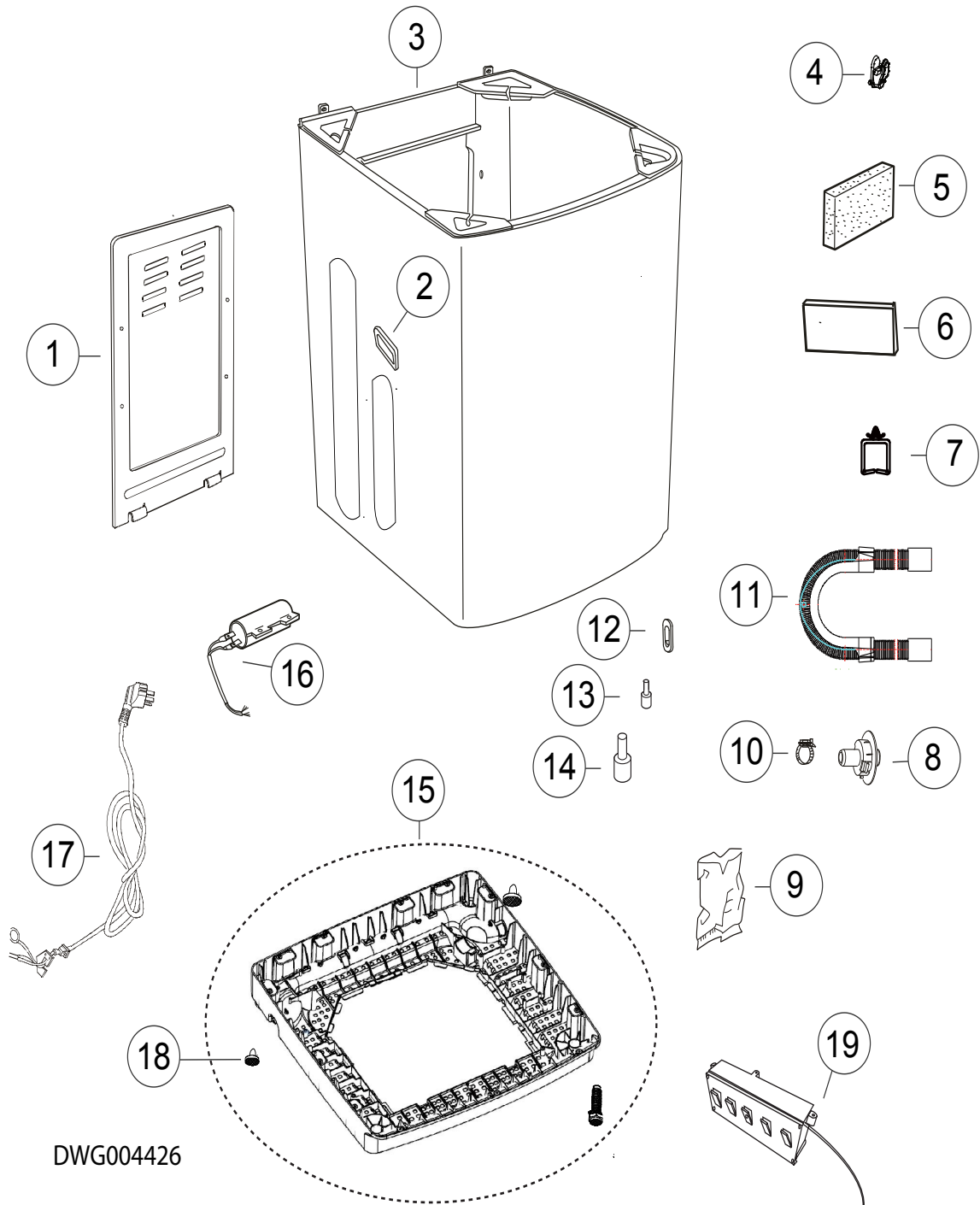
DWG004425

DWG004425

TOP CONSOLE COMPONENTS

REFERENCE	PART NUMBER	PART DESCRIPTION
1	H0030101738	LID HINGE RH
2	H0030209197	TOP DECK
NI	H00330802053	SCREW 15 ST4.2 X 12-B
NI	H0030208544A	SCREW COVER
3	H0030101737	HINGE BASE LH
4	H0030300737	HINGE GASKET
5	H0034000405H	REED SWITCH
6	H0030813637	CONTROL PANEL
7	H0030209305	KNOB
8	H0030102206	PCB COVER
9	H0034001009B	PRESSURE SWITCH
10	H00330503062	SWITCH OUT OF BALANCE
11	H0031800083D	PCB
12	H0031800113A	DISPLAY BOARD
13	H0030206511	BRACKET OOB ASSY
14	H00330603004	SPRING OUT OF BALANCE
15	H00330103014	GASKET WATER INLET
16	H0030814364	DETERGENT DISPENSER
17	H0030813627	LID ASSY
18	H0030209198	SPLASH SHIELD RHS
19	H0030206512	LEVER OUT OF BALANCE
20	H0030201143K	PRESSTUBE 8MM X 740 MM
21	H0034000570A	HOT INLET VALVE
22	H0030300881	HOSE
23	H0030300888	HOSE
24	H0034000889L	COLD INLET VALVE
25	H0030100320A	CLAMP INLET HOSE
26	H0030814187B	DISPENSER TANK
27	H0030100857	CLAMP INLET TUBE
28	H0030400719D	WIRING HARNESS
29	H00330602003A	CLAMP PRESSURE TUBE HOSE
30	H0030208113	SPLASH SHIELD RH BACK
31	H0034001068A	DOOR LOCK
32	H0030209199	SPLASH SHIELD LHS

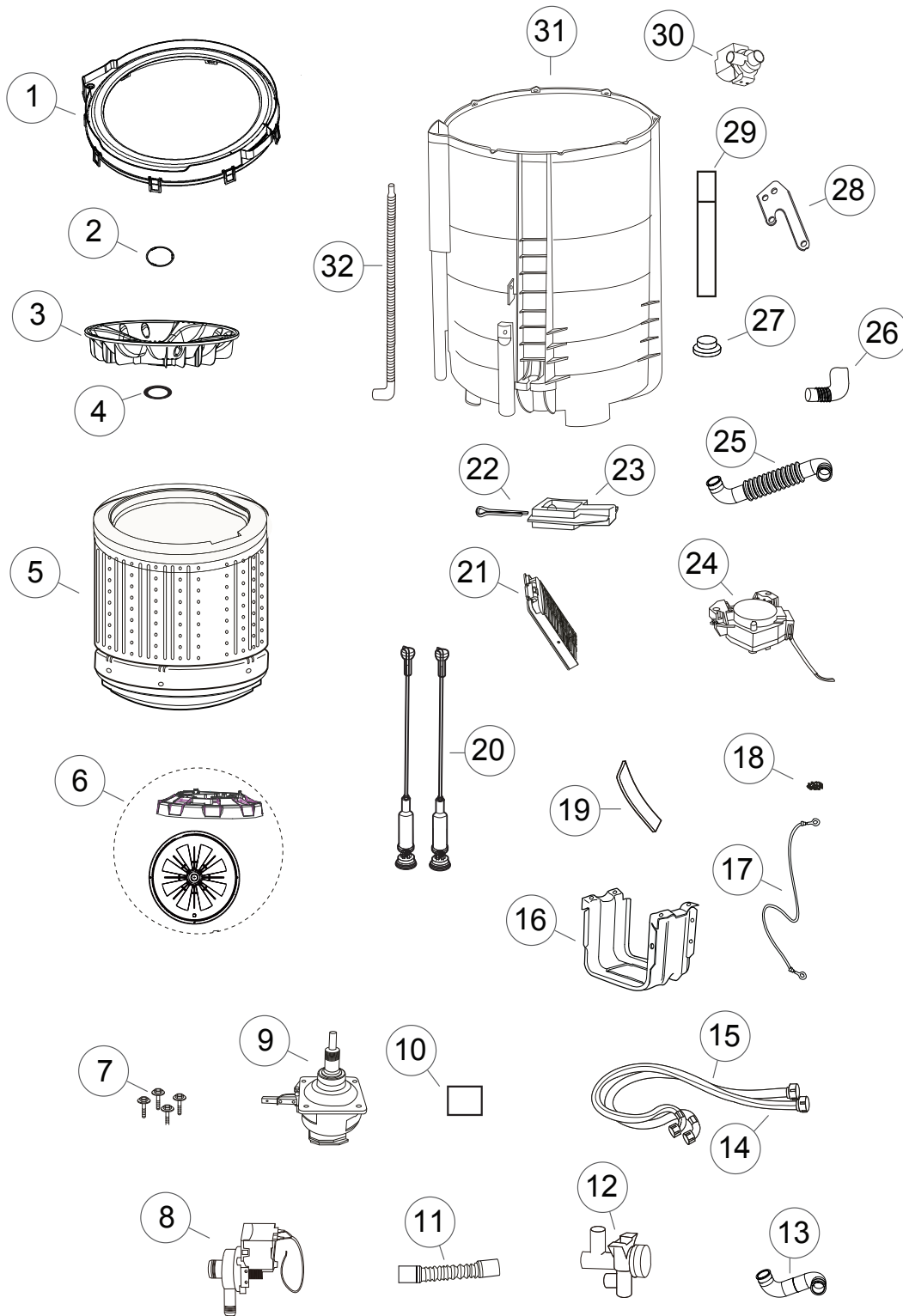
CABINET COMPONENTS



CABINET COMPONENTS

REFERENCE	PART NUMBER	PART DESCRIPTION
1	H00330308033A	PANEL REAR
2	H0030207316E	HANDLE CABINET
3	H0030101368	CABINET
4	H0030208194A	HOOK
5	H00330104007	BUFFER BLACK
6	H00330104012	BUFFER WHITE
7	H0030201442A	HARNESS WIRE HOLDER
8	H0030200631A	DRAIN CONNECTOR
9	H0030508588H	BAG PROTECTION
10	H0030100870	CLAMP DRAIN HOSE
11	H0030806881A	HOSE DRAIN EXTERNAL
12	H00330111535	INSERT DRAIN HOOK
13	H00330105504	BUSH B
14	H00330105503	BUSH A
15	H0030809065	BASE ASSY
16	H0034000883E	EMI FILTER
17	H0030400126	CORD MAINS
18	H0030300224	FOOT FIXED
19	H0031800098C	MOTOR CONTROLLER

BOWLS & MOTOR COMPONENTS



BOWLS & MOTOR COMPONENTS

REFERENCE	PART NUMBER	PART DESCRIPTION
1	H0030206253B	NECK RING
2	H0030202331D	PULSATOR CAP
3	H0030204660C	PULSATOR
4	H00330303005	GASKET PULSATOR
5	H0030810719E	INNER TUB ASSY
6	H0034001033	MOTOR
7	H00330810001	BOLT SUB ASSY
8	H0034000110D	PUMP DRAIN / RECIR PUMP
9	H0030801895	TRANSMISSION
10	H0030508588F	SAFEGUARD YELLOW CLOTH
11	H0030208763A	HOSE PUMP TO CONNECTOR
12	H0030209967	DIVERTER VALVE
13	H0030300307A	RECIR HOSE
14	H0030802835	HOSE INLET HOT
15	H0030802834	HOSE INLET COLD
16	H0030100675A	BRACKET U SHIELD
17	H0030400735E	EARTH WIRE
18	H00330820500	WASHER CUP
19	H0030204065	PAD FELT
20	H0030812457	SUSPENSION ROD
21	H0030811660	LINT FILTER
22	H0030600184	ROD CONNECTING
23	H0030201240	ARM DRAIN MOTOR
24	H0034000764	ACTUATOR BRAKE
25	H0030300900A	DIVERTER DRAIN PUMP HOSE
26	H0030300038A	HOSE DRAIN TUB PUMP
27	H00330101020	COVER AIR BELL
28	H00330302024	BRACKET DRAIN PUMP
29	H0030204599	PIPE OVERFLOW
30	H0034000110D	PUMP DRAIN / RECIR PUMP
31	H0030205071A	BOWL OUTER
32	H0030806906B	HOSE TO BOWL RECIRC

www.fisherpaykel.com

Copyright © Fisher & Paykel 2017. All rights reserved.
The product specifications in this manual apply to the specific model described at the date of issue. Under our policy of continuous product improvement, these specifications may change at any time. Only use this manual if the product code on the front matches the product code on the serial label of the product.

AU NZ

PRODUCT CODE: 61389-A 05.17