

# **PARTS MANUAL**

**Top Load Washing Machine**

HWT70FVW2 HA AA

Product Code  
**61375-A**

AU NZ

# **Haier**

# CONTENTS

---

INTRODUCTION	2
TOP DECK & CONTROL COMPONENTS	3
CABINET COMPONENTS	7
BOWLS & MOTOR COMPONENTS	9
SUSPENSION ROD LAYOUT	13

# INTRODUCTION

---

<b>BRAND</b>	<b>VOLTAGE</b>	<b>MODEL</b>	<b>PRODUCT CODE</b>
Fisher & Paykel	220-240 50Hz	HWT70FVW2 HA AA	61375-A

---

## MODELS

The models covered by this manual are listed on the front cover. The information detailed in this manual is subject to change without notice. The latest version is indicated by the reprint date and replaces any earlier editions.

## KIT PARTS

Kit components are shown in italics. Where a part number is shown against the descriptions for these kit components, they are also available as separate items. In addition, some parts may be supplied with these kits that are not available as separate items, and are therefore either not listed, or a part number is not shown against the part description in this manual.

## PARTS LIST KEY

<b>ITALICS</b>	Kit components or parts included are shown in italics. Refer to above notes: Kit Parts.
<b>NI</b>	As a part reference, indicates the part is not illustrated on the diagram.
<b>NOT USED</b>	As a part number, indicates the diagram part reference is not used in this manual.
<b>NS</b>	As a part number, indicates the part is not servicable.

---

## NZ

Fisher & Paykel Appliances Ltd  
78 Springs Road, East Tamaki  
Manukau 2013  
PO Box 58-546 Botany  
Manukau 2163  
New Zealand

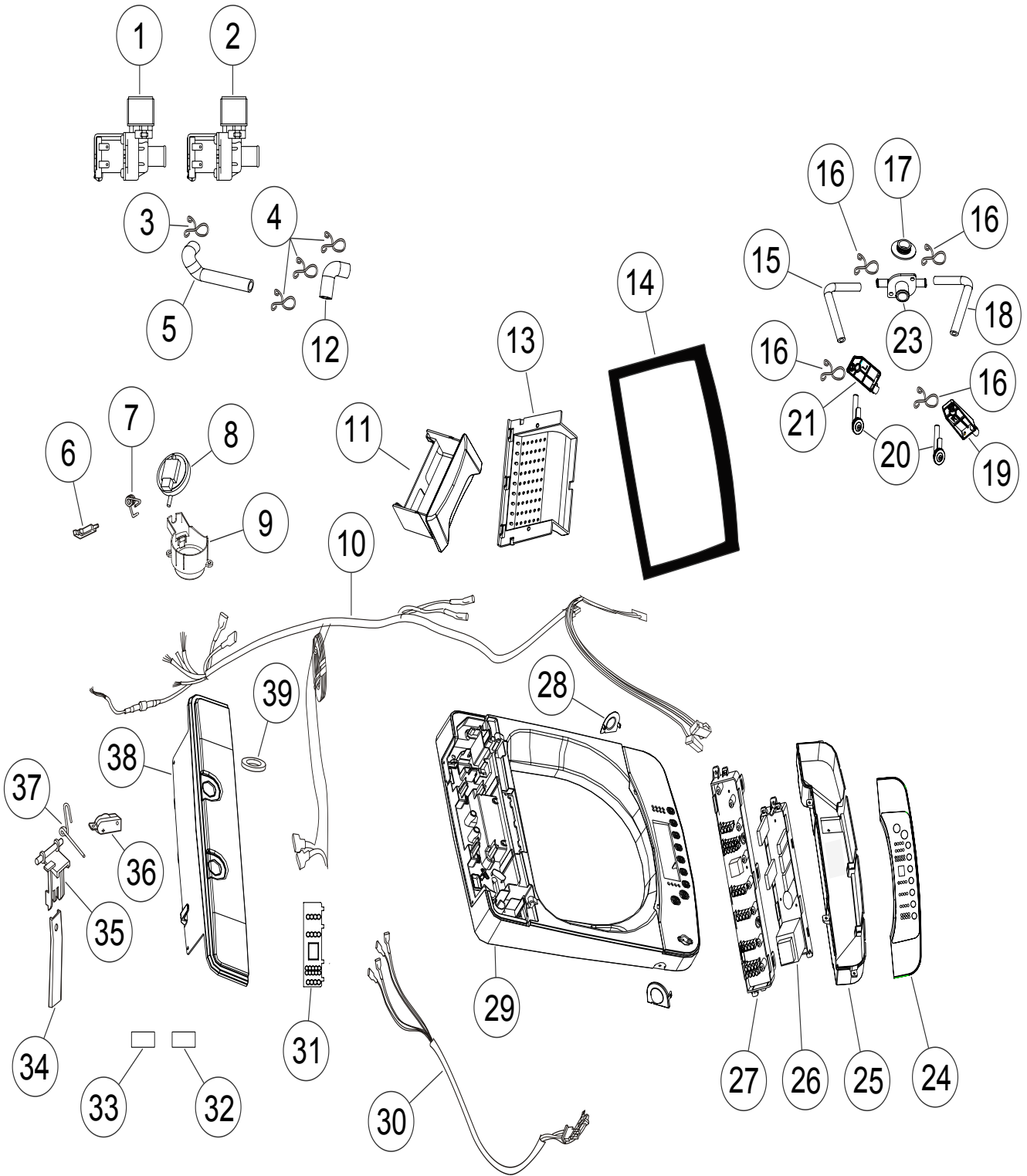
tel: 09 273 0600  
fax: 09 273 0656  
e-mail: nz.customer@fisherpaykel.com

## AU

Fisher & Paykel Customer Services Pty Ltd  
PO Box 798, Cleveland, QLD 4163  
A.C.N. 003 3335 171  
19 Enterprise Street  
Cleveland, QLD 4163  
Australia

tel: 07 3826 9100  
fax: 07 3826 9164  
e-mail: aus.customer@fisherpaykel.com

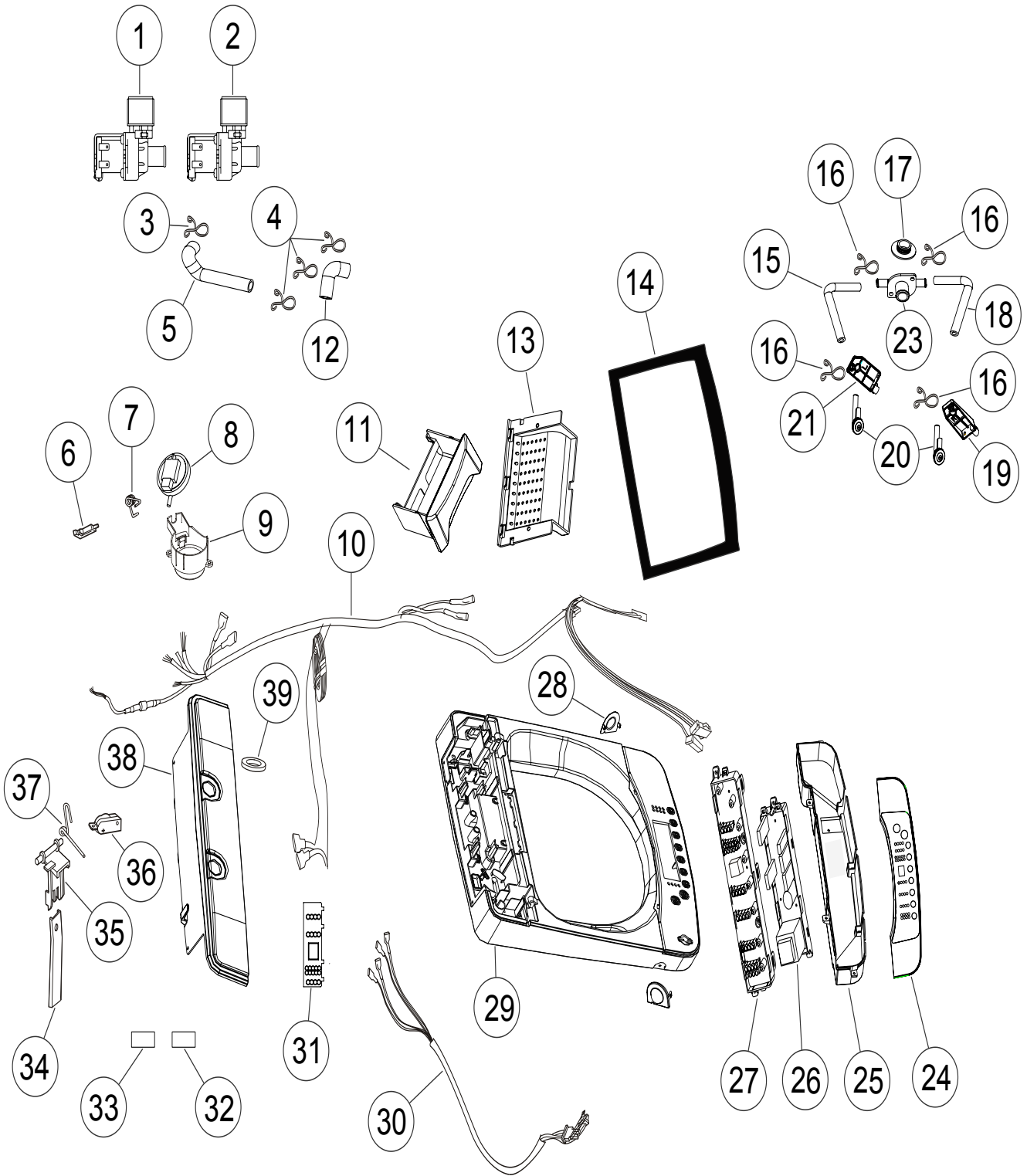
# TOP DECK & CONTROL COMPONENTS



## TOP DECK & CONTROL COMPONENTS

REFERENCE	PART NUMBER	PART DESCRIPTION
1	H0034000885C	VALVE COLD
2	H0034000207	VALVE INLET HOT
3	H0030100854	CLAMP INLET TUBE
4	H0030100320A	CLAMP INLET HOSE
5	H0030300143	TUBE INLET LONG
6	H00330109027	DRY REED PIPE SUPPORT
7	H00330603055	SPRING LID
8	H0034001009A	SWITCH PRESSURE
9	H0030201223B	HOUSING WATER LEVEL SENSOR
10	H0030400187	HARNESS REED SWITCH
11	H0030807670	DISPENSER DETERGENT AW
12	H0030300596	TUBE INLET SHORT
13	H0030204986	CHAMBER MIXING
14	H0030812045A	LID
15	H0030300603	TUBE SPRAY NOZZLE
16	H0030100857	CLAMP INLET TUBE
17	H00330201010	SEAL INLET CHAMBER
18	H0030300598	TUBE SPRAY NOZZLE RH
19	H0030205683	BRACKET RH NOZZLE
20	H0030809782A	NOZZLE SPRAY
21	H0030205682	BRACKET LH NOZZLE
23	H0030205681	CONNECTOR Y UNION
24	H0030206785A	FASCIA PANEL
25	H0030204990	HOUSING CONTROL MODULE
26	H0034001000H	MODULE CONTROLLER HWMP
27	H0034001001WB	MODULE DISPLAY
28	H0030204053A	COVER TOP DECK SCREW
29	H0030204968E	TOP DECK
30	H0034000405B	HARNESS CONTROL MODULE

# TOP DECK & CONTROL COMPONENTS

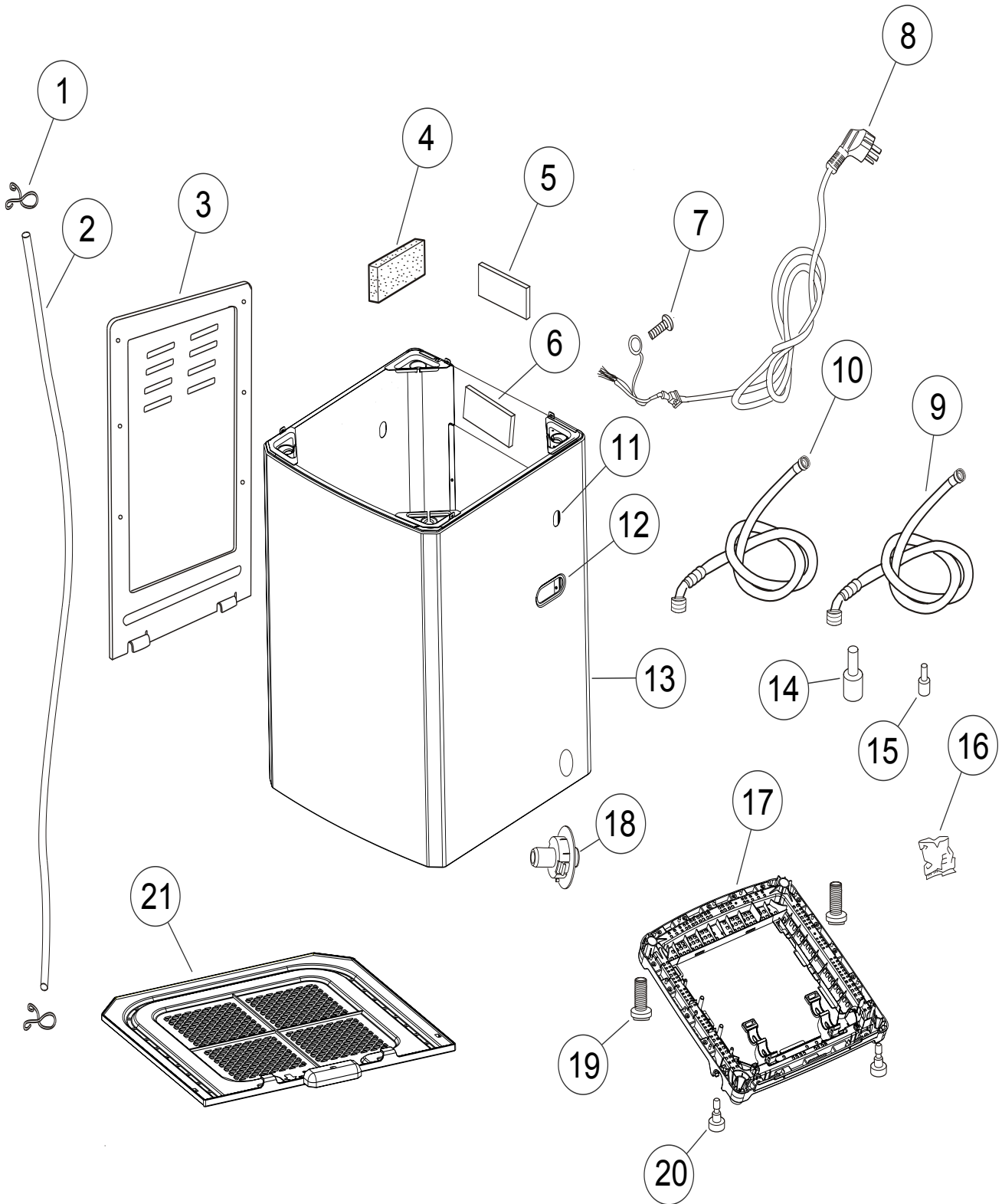


## TOP DECK & CONTROL COMPONENTS

---

REFERENCE	PART NUMBER	PART DESCRIPTION
31	H0030204650A	FASCIA LED COVER
32	H0030501612	PLATE COLD VALVE
33	H0030501611	PLATE HOT VALVE
34	H00330301007	LEVER OUT OF BALANCE
35	H00330101773	BRACKET OUT OF BALANCE
36	H00330503006	SWITCH SAFETY
37	H00330603004	SPRING OUT OF BALANCE
38	H0030205689B	TOP PANEL
39	H00330103014	GASKET WATER INLET

# CABINET COMPONENTS



DWG 003626

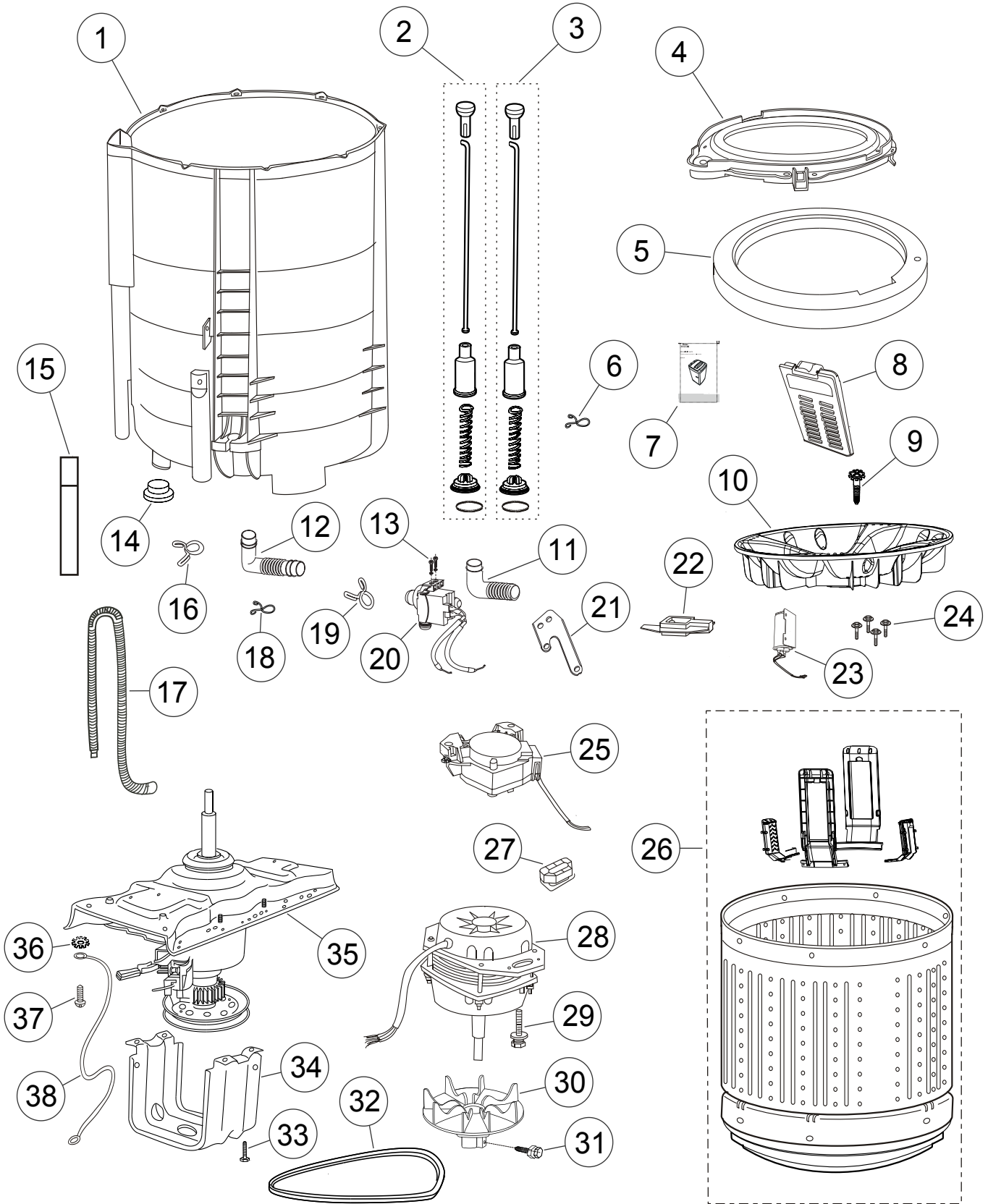
DWG 003626



## CABINET COMPONENTS

REFERENCE	PART NUMBER	PART DESCRIPTION
1	H00330602003A	CLAMP PRESSURE TUBE HOSE
2	H0030201143K	PRESSTUBE
3	H0030100432	PANEL BACK COVER
4	H00330104007	BUFFER BLACK
5	H00330104012A	GASKET BUFFER
6	H0030204065	PAD FELT
7	H0020600179	BOLT
8	H0030400126	CORD MAINS
9	420375P	HOSE INLET ASSY MIFLEX II(PKD)
10	H0030802835	HOSE INLET HOT
11	H00330111535	INSERT DRAIN HOOK
12	H0030200046	HANDLE CABINET
13	H0030808070KB	WRAPPER
14	H0030205365	BUSH A
15	H0030205313	BUSH B
16	H00330106005A	PROTECTOR BAG
17	H0030807992B	BASE
18	H0030200631	BUSH DRAIN HOSE
19	H0030807648	FOOT ADJUSTABLE
20	H00330202005	FOOT FIXED
21	H0030203997	PANEL BOTTOM

# BOWLS & MOTOR COMPONENTS



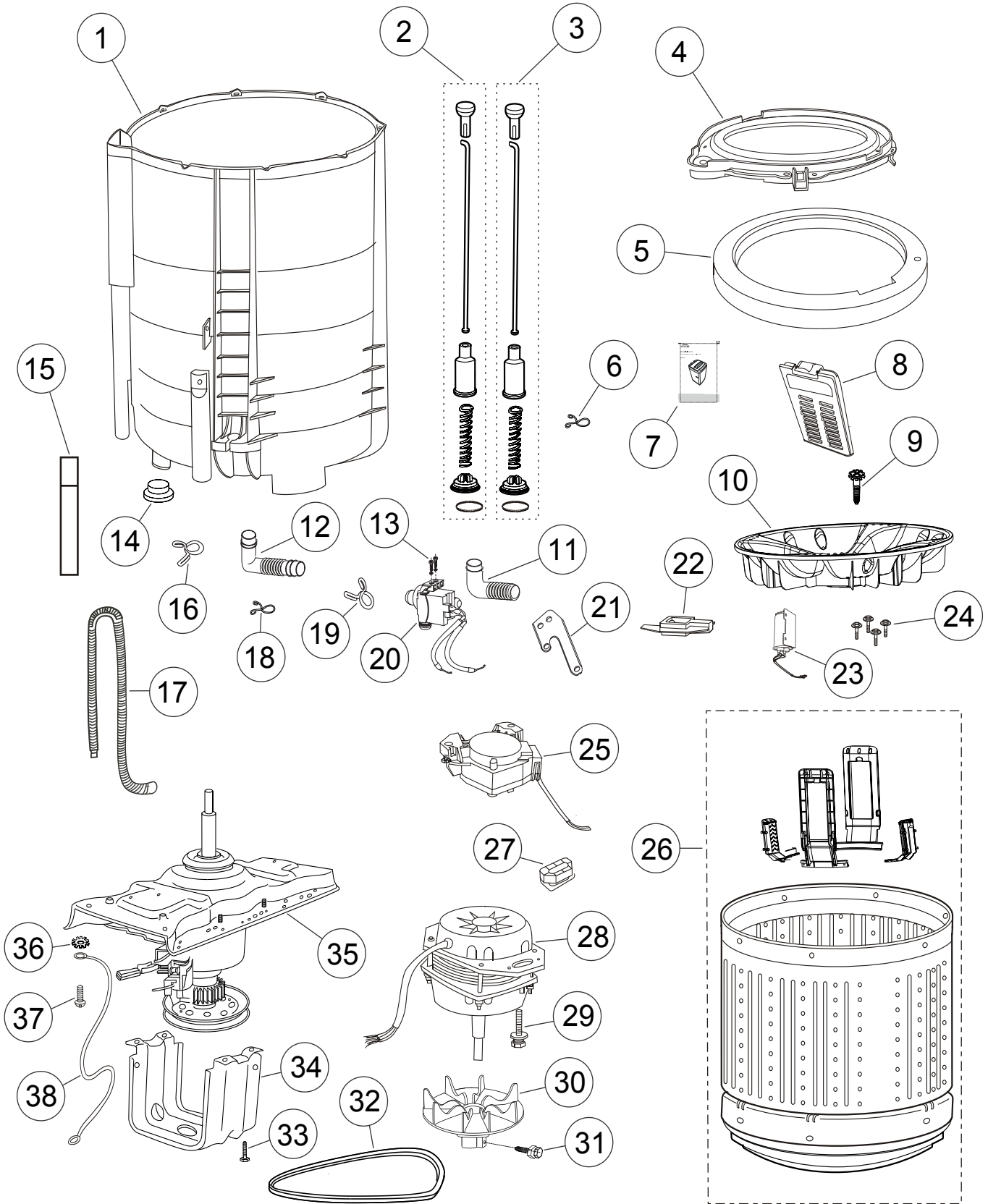
DWG 003627

DWG 003627

## BOWLS & MOTOR COMPONENTS

REFERENCE	PART NUMBER	PART DESCRIPTION
1	H00330101476B	TUB OUTER
2	H0030802045	SUSPENSION ROD YELLOW - REFER TO PAGE 13
3	H0030802045A	SUSPENSION ROD WHITE - REFER TO PAGE 13
4	H00330101485A	COVER NECK RING
5	H0030802685J	BALANCE RING
6	H0030100132	CLAMP HOSE DRAIN
7	H0030807525G	MANUAL USE & CARE
8	H0030204380	LINT FILTER
9	H00330057500	BOLT ASSEMBLY PULSATOR
10	H0030200411B	PULSATOR
11	H0030300038A	HOSE DRAIN TUB PUMP
12	H0030300039B	HOSE INNER DRAIN
13	H0030600010	BOLT DRAIN PUMP
14	H00330101020	COVER AIR BELL
15	H0030204599	PIPE OVERFLOW
16	H0030101020	CLAMP DRAIN HOSE INNER
17	H0030806881A	HOSE DRAIN
18	H0030100006	CLAMP DRAIN HOSE
19	H0030100007	CLAMP DRAIN INNER TUB
20	H0034000110S	PUMP DRAIN
21	H00330302024	BRACKET DRAIN PUMP
22	H0030201240	ARM DRAIN MOTOR
23	H0034200055	CAPACITOR
24	H00330810001	BOLT SUB ASSY
25	H0034000764	ACTUATOR BRAKE
26	H0030801451H	INNER BOWL
27	H00330101728	BUSH MOTOR LOWER
28	H00330504558	MOTOR WASH
29	H00330812013A	BOLT MOTOR

# BOWLS & MOTOR COMPONENTS



DWG 003627

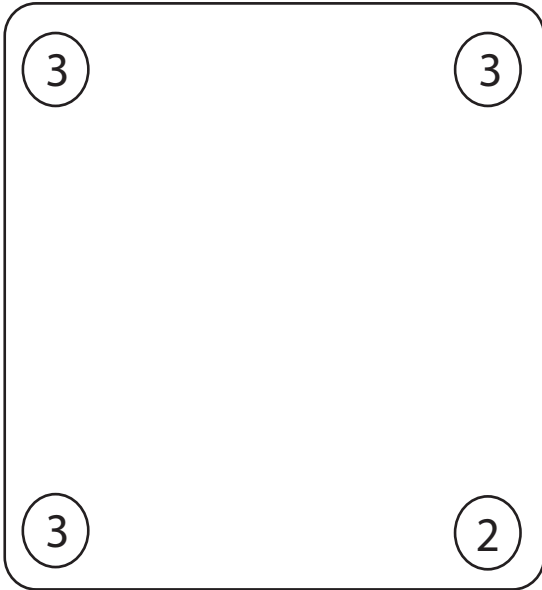
DWG 003627

## BOWLS & MOTOR COMPONENTS

REFERENCE	PART NUMBER	PART DESCRIPTION
30	H00330401002	FAN/PULLEY MOTOR
31	H00330812061A	BOLT & NUT LOCKING
32	H00330011017	BELT WM
33	H00330812014A	SCREW SELF TAPPING
34	H0030101030	SHIELD
35	H0030805973	TRANSMISSION
36	H00330820500	WASHER CUP
37	H00330804001A	SCREW EARTHING
38	H0030400285	WIRE EARTHING
NI	H0030202331B	PULSATOR COVER

# SUSPENSION ROD LAYOUT

HWMSP70 - WHT70FVW2



**Front of Machine**

	Part No.	Description	Qty
②	H0030802045	SUSPENSION ROD YELLOW	1
③	H0030802045A	SUSPENSION ROD WHITE	3

DWG003987

## SUSPENSION ROD LAYOUT

---

REFERENCE	PART NUMBER	PART DESCRIPTION
2	H0030802045	SUSPENSION ROD YELLOW
3	H0030802045A	SUSPENSION ROD WHITE

[www.fisherpaykel.com](http://www.fisherpaykel.com)

Copyright © Fisher & Paykel 2015. All rights reserved.  
The product specifications in this manual apply to the specific model described at the date of issue. Under our policy of continuous product improvement, these specifications may change at any time. Only use this manual if the product code on the front matches the product code on the serial label of the product.

**AU NZ**

**PRODUCT CODE: 61375-A 02.15**