



Parts Manual

Top Loader Washing Machine

Model:
TWLWP50 ASP NZ

Product ode:
61354-A

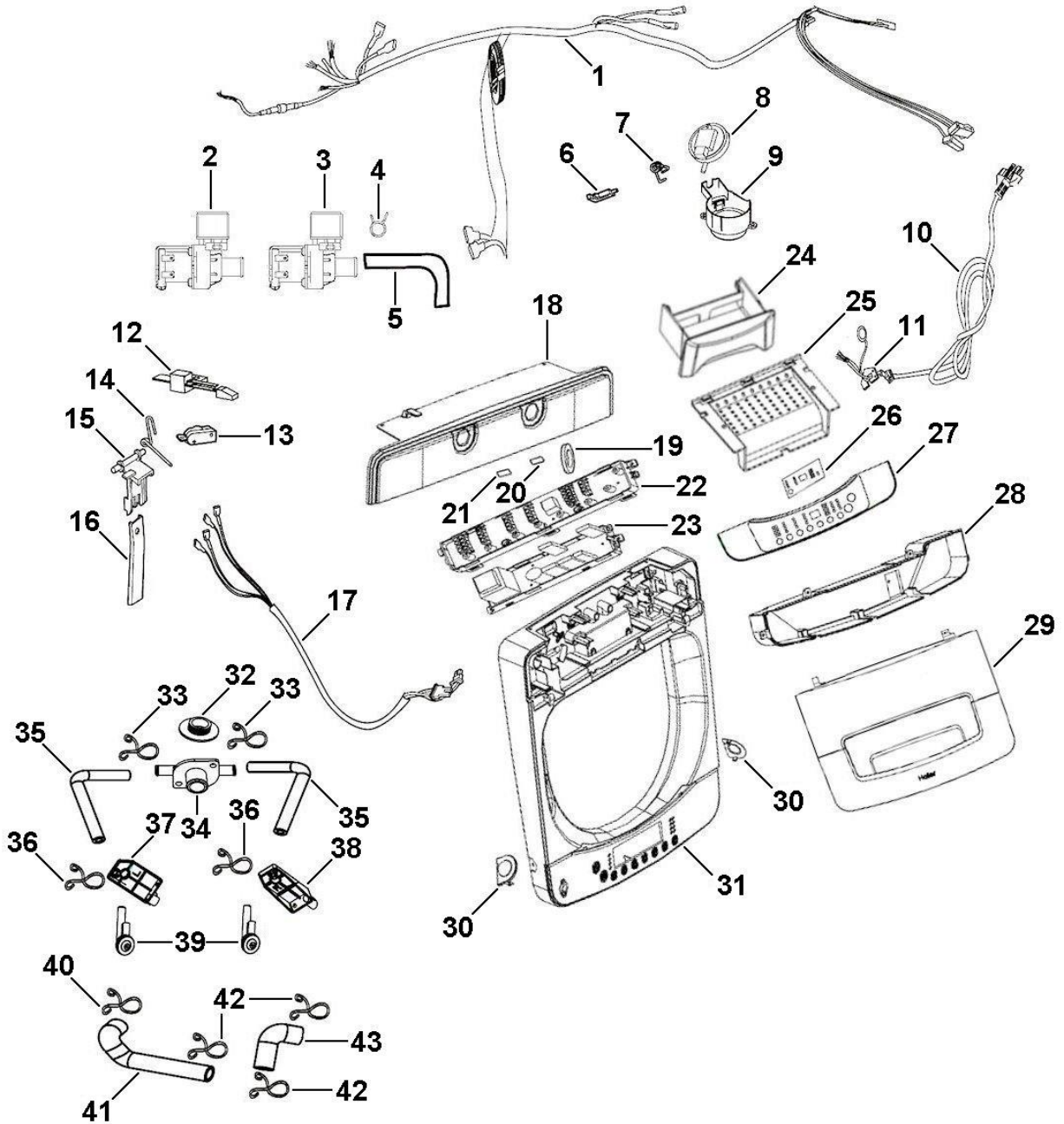
PRODUCT

Brand	Aspira
Voltage	220-240V 50Hz
Model	TWLWP50 ASP NZ
Product Code	61354-A

CONTENTS

TOP DECK & CONTROLS.....6
WRAPPER & COMPONENTS8
OUTER BOWL ASSEMBLY 10
INNER BOWL ASSEMBLY 12
MOTOR ASSEMBLY..... 14

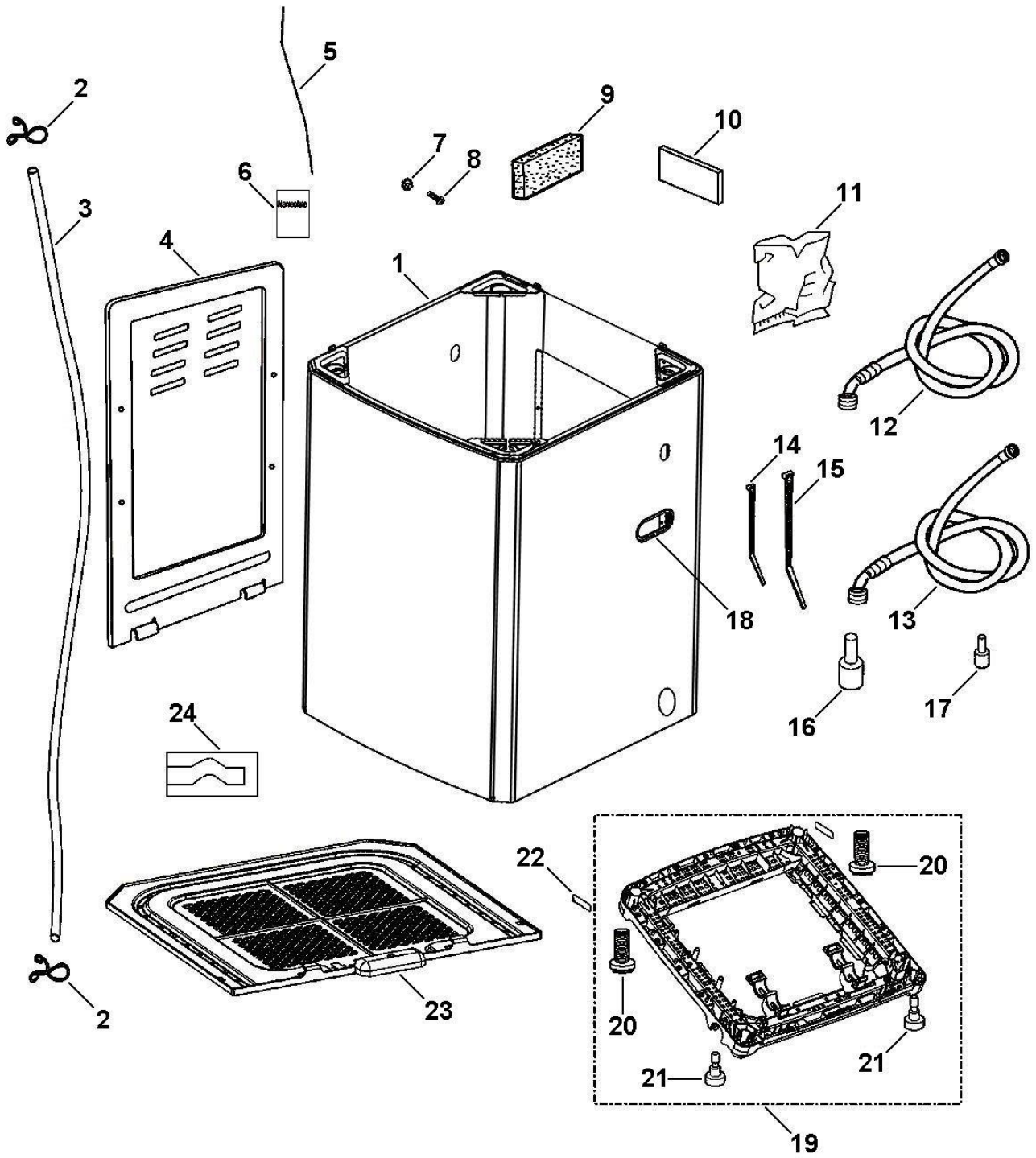
TOP DECK & CONTROLS



TOP DECK & CONTROLS

REF	PART	DESCRIPTION
1	H0030400187	HARNESS
2	H0034000207	VALVE HOT
3	H0034000885E	VALVE COLD
4	H0030100854	CLAMP INLET TUBE
5	H0030300506	TUBE INLET COLD
6	H0030204979	SHAFT LID
7	H00330603055	SPRING LID
8	H0034001009A	SWITCH WATER LEVEL
9	H0030201223B	HOUSING WATER LEVEL SENSOR
10	H0030400126	MAINS CORD
11	H00330308002	CLAMP MAINS CORD RETAINER
12	H00330503007	MICROSWITCH
13	H00330503006	SAFETY SWITCH
14	H00330603004	SPRING OOB ASSEMBLY
15	H00330101773	BRACKET OOB ASSEMBLY
16	H00330301007	LEVER OOB ASSEMBLY
17	H0030400040C	HARNESS CONTROL MODULE
18	H0030204975I	PANEL BACK
19	H00330103014	WASHER SEALING
20	H0030501611	LABEL HOT INLET
21	H0030501612	LABEL COLD INLET
22	H0034001001P	MODULE DISPLAY
23	H0034001000H	MODULE CONTROLLER
24	H0030807670	DISPENSER DETERGENT
25	H0030204986	CHAMBER MIXING
26	H0030204650A	FASICA LED COVER
27	H0030508094AD	PANEL CONTROL
28	H0030204990	HOUSING CONTROL MODULE
29	H0030807671I	TOP LID COMPONENT
30	H0030203091	COVER LEFT TOP DECK SCREW
31	H0030205367D	TOP DECK
32	H00330201010	WASHER SEALING
33	H0030100857	CLAMP INLET
34	H0030205681	CONNECTOR Y
35	H0030300603	TUBE SPRAY NOZZLE LH
36	H0030100857	CLAMP INLET
37	H0030205683	BRACKET RH NOZZLE
38	H0030205682	BRACKET LH NOZZLE
39	H0030809782A	NOZZLE SPRAY
40	H0218870330611A	CLAMP INLET TUBE
41	H0030300653	TUBE INLET COLD
42	H0030100320A	CLAMP INLET TUBE
43	H0030300652	TUBE INLET COLD

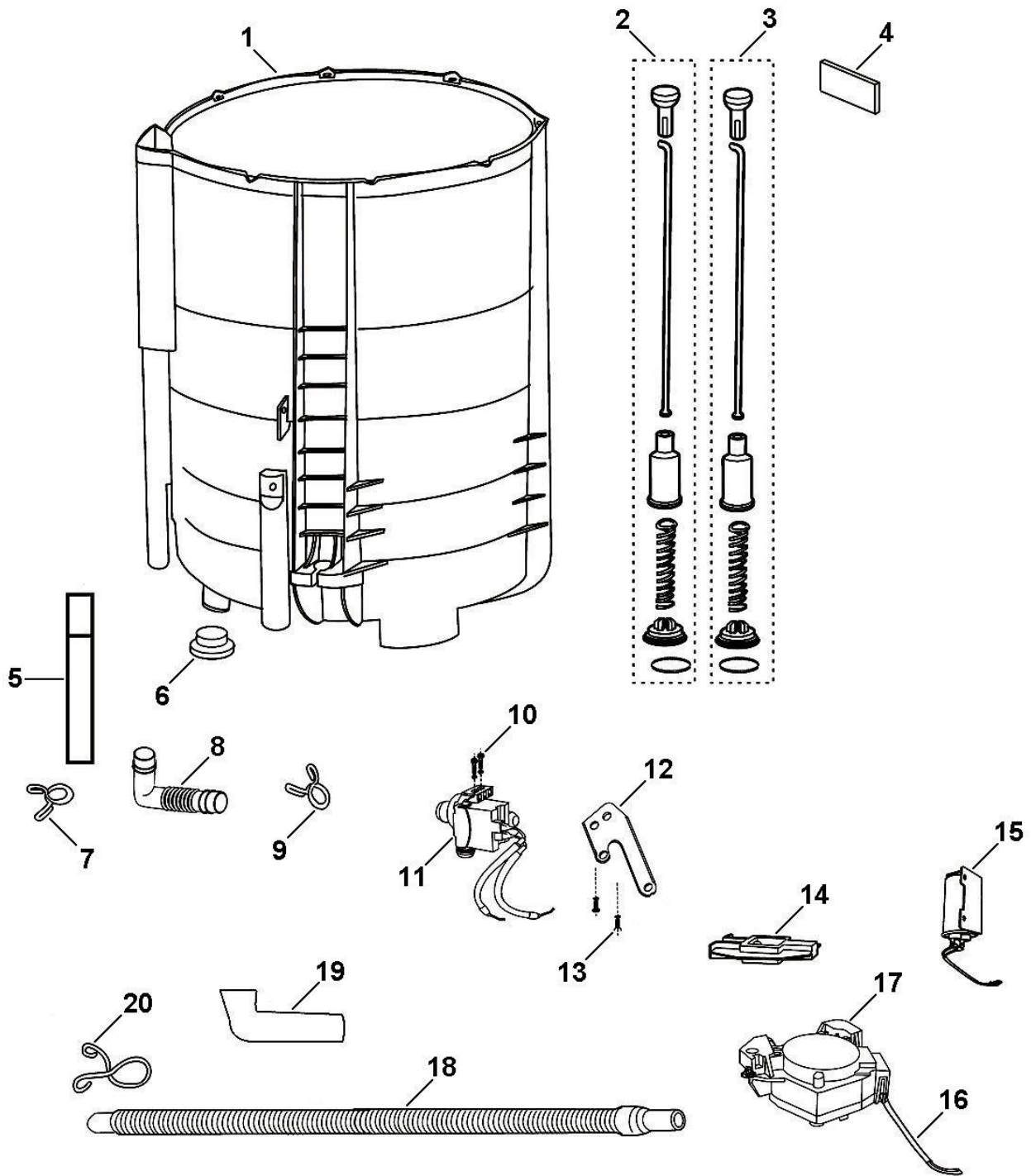
WRAPPER & COMPONENTS



WRAPPER & COMPONENTS

REF	PART	DESCRIPTION
1	H0030101309J	WRAPPER CABINET
2	H00330602003A	CLAMP PRESS TUBE
3	H0030201143K	PRESSURE TUBE
4	H0030202908	PANEL REAR
5	H00340821013	TIE TWIST
6	H0030508333O	NAME PLATE
7	H00217470300611A	WASHER CUP
8	H0020600179	SCREW EARTHING
9	H00330104007	GASKET BUFFER
10	H00330104012A	GASKET BUFFER
11	H00330106005A	PROTECTIVE BAG
12	H0030802834	HOSE INLET COLD
13	H0030802835	HOSE INLET HOT
14	H00330105500	CABLE TIE
15	H00330829001	CABLE TIE LONG
16	H0030205365	BUSH CRIMPING A
17	H0030205313	BUSH CRIMPING B
18	H0030200046	HANDLE CABINET
19	H0030807973B	BASE
20	H0030807648	FOOT ADJUSTABLE
21	H00330202005	FOOT FIXED
22	H0030500047	LABEL ADJUSTABLE FOOT
23	H0030203997	PANEL BOTTOM
24	H0030205012	TIE TWIST

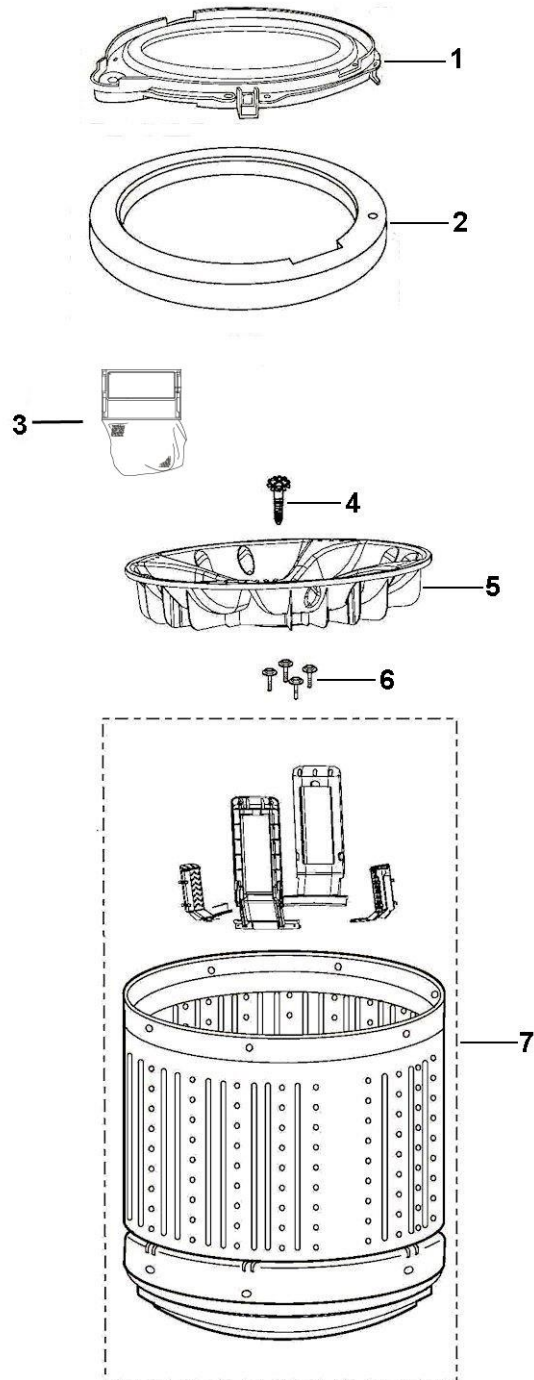
OUTER BOWL ASSEMBLY



OUTER BOWL ASSEMBLY

REF	PART	DESCRIPTION
1	H0030200009B	TUB OUTER
2	H0030803503A	SUSPENSION ROD I
3	H0030804256	SUSPENSION ROD II
4	H0030204065	GASKET BUFFER
5	H0030204599	TUBE OVERFLOW
6	H00330101020	COVER PRESSURE CHAMBER
7	H0030100006	CLAMP DRAIN HOSE INNER
8	H0030300039B	HOSE INNER DRAIN
9	H0030100006	CLAMP DRAIN HOSE INNER
10	H00330812014A	BOLT SHIELD
11	H0034000110	PUMP DRAIN
12	H00330302024	BRACKET DRAIN PUMP
13	H0030600010	BOLT SHIELD
14	H0030201240	ARM DRAIN MOTOR
15	H0034200055	CAPACITOR
16	H0030400503	HARNESS DRAIN MOTOR
17	H0034000764	MOTOR DRAIN
18	H0030806881A	HOSE DRAIN
19	H0030300038A	TUBE INLET COLD
20	H0030100007	CLAMP DRAIN HOSE INNER

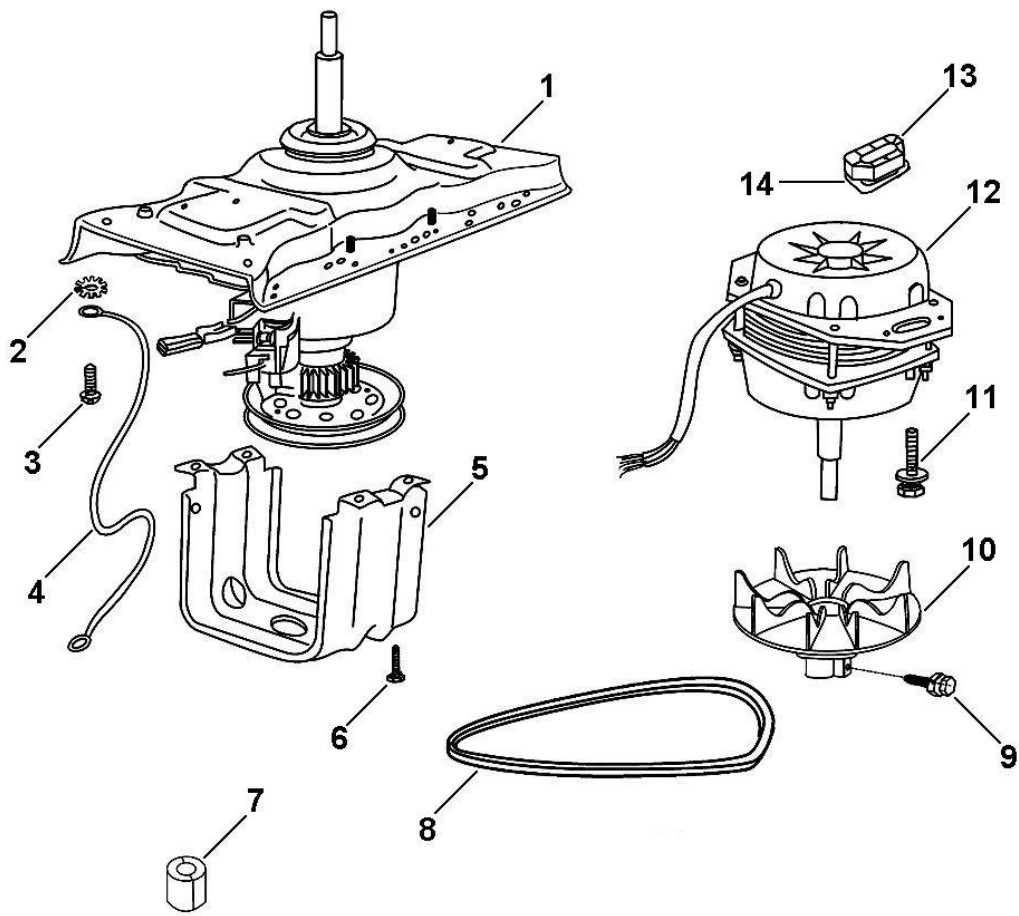
INNER BOWL ASSEMBLY



INNER BOWL ASSEMBLY

REF	PART	DESCRIPTION
1	H00333101230A	COVER NECK RING
2	H0030800005A	BALANCE RING
3	H00330101843A	FILTER LINT (SOCK TYPE)
4	H00330057500	SCREW AGITATOR
5	H00330101838A	AGITATOR LOW PROFILE
6	H00330810001	SCREW EARTHING
7	H0030807608	INNER BOWL

MOTOR ASSEMBLY



MOTOR ASSEMBLY

REF	PART	DESCRIPTION
1	H0030805973	TRANSMISSION
2	H00330820500	WASHER CUP
3	H00330804001A	SCREW EARTHING
4	H0030400285	EARTH WIRE
5	H0030101030	SHIELD
6	H00330812014A	BOLT SHIELD
7	H0034000846	COIL RFI
8	H00330011017	BELT
9	H00330812061A	SCREW EARTHING
10	H00330401002	FAN
11	H00330812013A	BOLT MOTOR
12	H00330504558	MOTOR WASH
13	H00330101728	BUSH MOTOR LOWER
14	H00330101006	BUSH MOTOR LOWER