

# **PARTS MANUAL**

**Refrigerator Freezer**

RF402BLYX6 FP AA

Product Code  
**24830-C**

**AU NZ**

***Fisher & Paykel***

# CONTENTS

---

INTRODUCTION	2
DOOR COMPONENTS	3
CABINET COMPONENTS	5
FAN, COVER AND EVAPORATOR COMPONENTS	11
DUCT COVER COMPONENTS	13
TERMINAL, PLUGS & SOCKETS	15
COMPRESSOR AREA COMPONENTS	17

# INTRODUCTION

---

<b>BRAND</b>	<b>VOLTAGE</b>	<b>MODEL</b>	<b>PRODUCT CODE</b>
Fisher & Paykel	220-240 50Hz	RF402BLYX6 FP AA	24830-C

---

## MODELS

The models covered by this manual are listed on the front cover. The information detailed in this manual is subject to change without notice. The latest version is indicated by the reprint date and replaces any earlier editions.

## KIT PARTS

Where a part number is shown against the descriptions for these kit components, they are also available as separate items. In addition, some parts may be supplied with these kits that are not available as separate items, and are therefore either not listed, or a part number is not shown against the part description in this manual.

## PARTS LIST KEY

---

<b>NI</b>	As a part reference, indicates the part is not illustrated on the diagram.
<b>NOT USED</b>	As a part number, indicates the diagram part reference is not used in this manual.
<b>NS</b>	As a part number, indicates the part is not servicable.

---

## NZ

Fisher & Paykel Appliances Ltd  
78 Springs Road, East Tamaki  
Manukau 2013  
PO Box 58-546 Botany  
Manukau 2163  
New Zealand

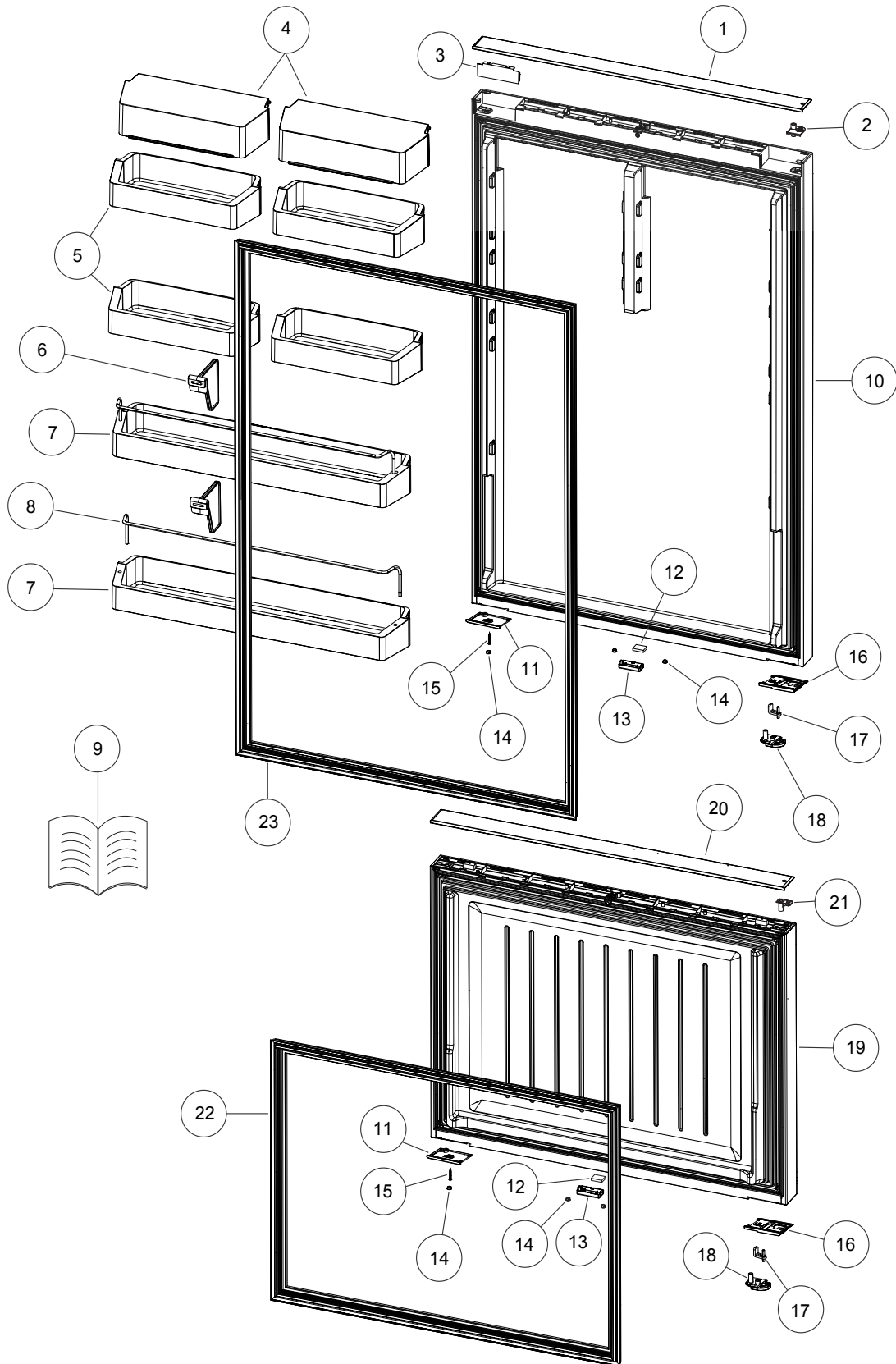
tel: 09 273 0600  
fax: 09 273 0656  
e-mail: nz.customer@fisherpaykel.com

## AU

Fisher & Paykel Customer Services Pty Ltd  
PO Box 798, Cleveland, QLD 4163  
A.C.N. 003 3335 171  
19 Enterprise Street  
Cleveland, QLD 4163  
Australia

tel: 07 3826 9100  
fax: 07 3826 9164  
e-mail: aus.customer@fisherpaykel.com

# DOOR COMPONENTS



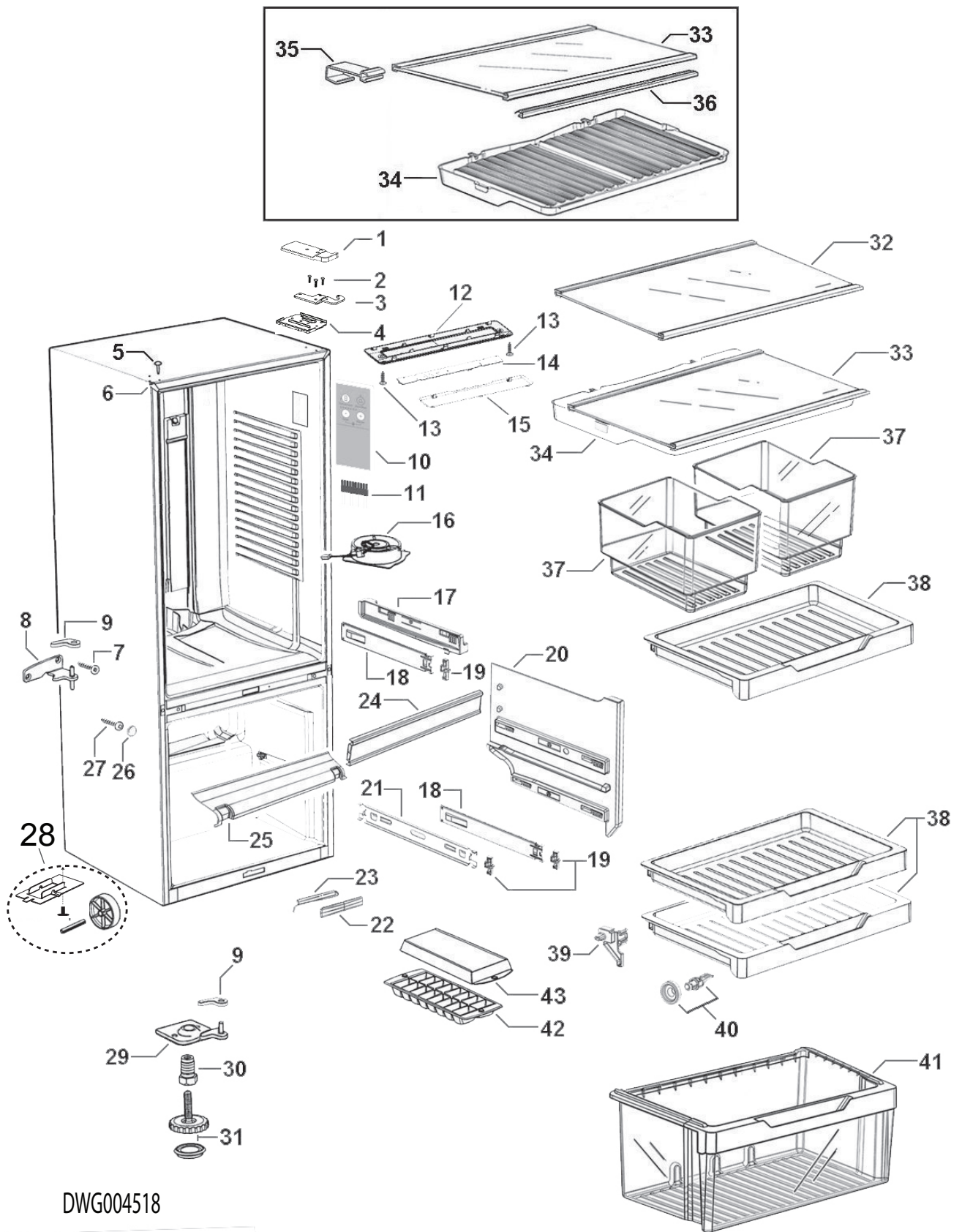
DWG004190

DWG 004190

## DOOR COMPONENTS

REFERENCE	PART NUMBER	PART DESCRIPTION
1	843902	COVER DOOR TOP 635 GR
2	841051	BEARING HINGE WATER LH UD
3	842103	COVER DOOR TOP NONHINGE GR
4	839718	COVER SHELF DAIRY 635
5	839722	SHELF DOOR SOLID 635
6	821805	DIVIDER BOTTLE 522B
7	839716	SHELF DOOR BOTTOM 635
8	839717	RAIL SHELF DOOR 635
9	843023	BOOK USE&CARE BOOK NZ/AU/ROW
10	844230P	DOOR PC 635X1052.5 P SX LH
11	842370P	COVER DR BOT UD HINGE LH GR
12	883315	MAGNET DOOR SWITCH ST4
13	842122	COVER MAGNET DOOR UD GR
14	842483P	PLUG DOOR BOTTOM GR
15	817825P	SCREW #8X22 WAFER PH ST TV
16	842371	COVER DR BOT UD HINGE LH GR
17	814537	DOOR STOP ASSY
18	843389	CLOSING HOOK DR STOP LH GR NO FLG
19	839796P	DOOR FC 635X605 P SX LH
20	844777	COVER DOOR TOP 635 GR LH
21	813931	BEARING HINGE TOP DOOR FLAT GR
22	841363P	GASKET FRAME PUSHIN 635B FC
23	841360P	GASKET FRAME PUSHIN 402B PC

# CABINET COMPONENTS



DWG004518

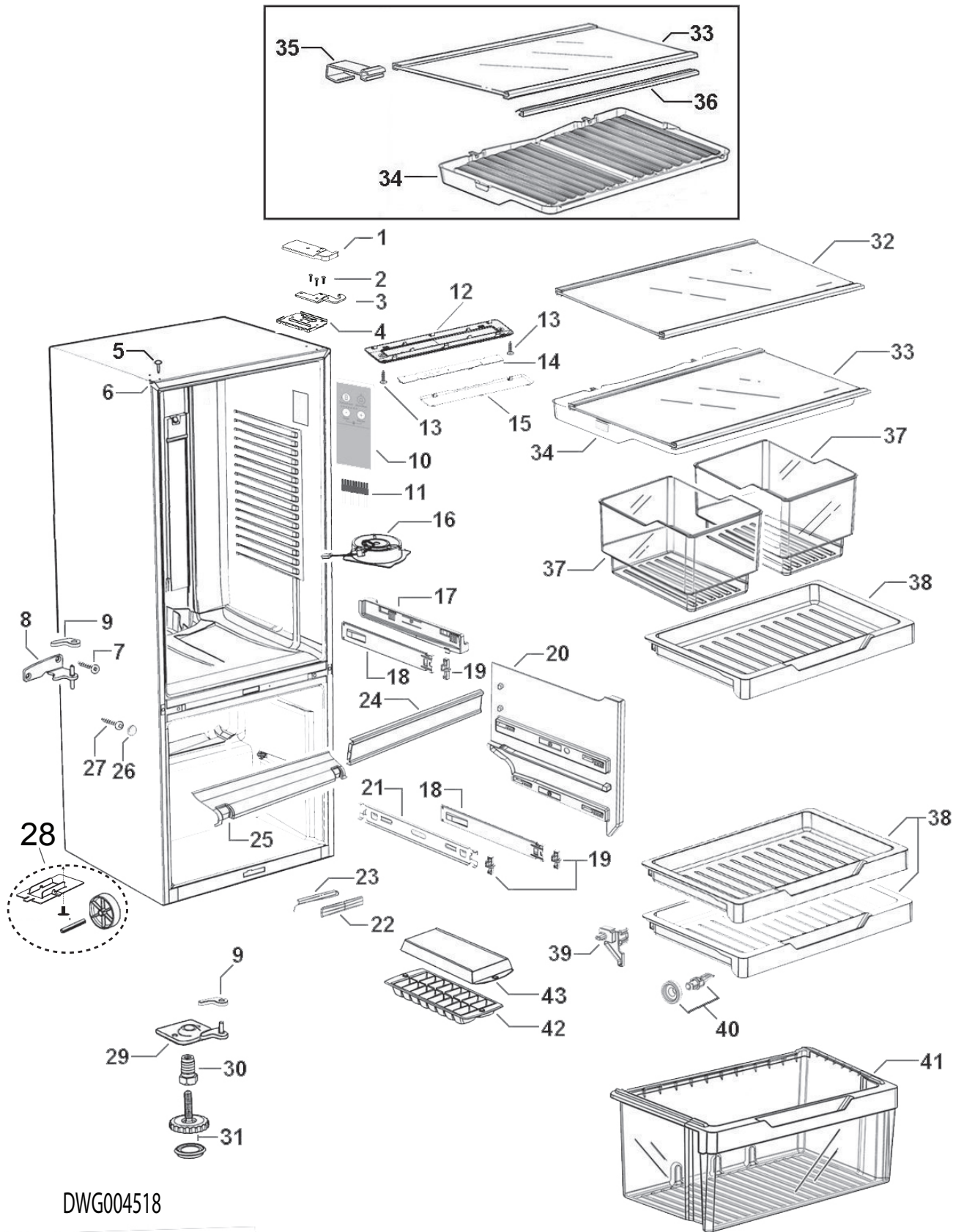
DWG 004518

## CABINET COMPONENTS

REFERENCE	PART NUMBER	PART DESCRIPTION
<b>1</b>	<b>846779P</b>	<b>COVER HINGE LOW NIW GRY L</b>
<b>2</b>	<b>817818P</b>	<b>SCREW M5X20 HEX PH ST TV (PKT 10)</b>
<b>3</b>	<b>820863</b>	<b>BRACKET HINGE I&amp;W LH</b>
<b>4</b>	<b>846774P</b>	<b>SUPPORT HINGE LOW NIW</b>
<b>NI</b>	<b>847438</b>	<b>KIT COVER HINGE LOW GRY LH</b>
	includes 846779P	COVER HINGE LOW NIW GRY L
	Includes 846774P	SUPPORT HINGE LOW NIW
<b>5</b>	<b>881131P</b>	<b>PLUG TAPPED HOLE WHITE (PKT 3)</b>
<b>6</b>	<b>883951</b>	<b>TRIM CORNER SILVER 680/790</b>
<b>7</b>	<b>880656P</b>	<b>SCREW 10GX25CSK SQ SS (PKT 10)</b>
<b>8</b>	<b>881283P</b>	<b>BRACKET CTR HINGE RH (PKD)</b>
	Includes 883988P	CAP DOOR CLOSING RH HGE BRKT G
<b>9</b>	<b>883988P</b>	<b>CAP DOOR CLOSING RH HGE BRKT G</b>
<b>10</b>	<b>837328P</b>	<b>MOD DISP AS U2 INT 4 BUTTON SV</b>
<b>11</b>	<b>839618P</b>	<b>KIT HARNESS DISPLAY 5 PIN</b>
<b>12</b>	<b>820736</b>	<b>HOUSING FRONT LED PC</b>
<b>13</b>	<b>817816P</b>	<b>SCREW 6 X12 AB TRUSS PH ST TV (PKT 10)</b>
<b>14</b>	<b>845096P</b>	<b>MOD LAMP AS CEILING SVC</b>
<b>15</b>	<b>820737</b>	<b>WINDOW LED PC</b>
<b>16</b>	<b>821183P</b>	<b>PC FAN ASSY JST/DCT</b>
	Includes	FAN HOUSING PC ASSY
	Includes	DUCT JUNCTION
	Includes	CONNECTOR IDC UP2 (2)
	Includes	LABEL WARNING 12 VOLT DC
	Includes	SHEET INSTRUCTION PC FAN ASSY
<b>17</b>	<b>836808</b>	<b>RETAINER &amp; SLIDE 680 RH ASSY</b>
	Includes 836700	SLIDE 305 RH ASSEMBLY
	Includes 836520P	CLIP SLIDE
	<b>836807</b>	<b>RETAINER &amp; SLIDE 680 LH ASSY</b>
	Includes 836701	SLIDE 305 LH ASSEMBLY
	Includes 836520P	CLIP SLIDE
<b>18</b>	<b>836700</b>	<b>SLIDE 305 RH ASSEMBLY</b>
	Includes 836520P	CLIP SLIDE
	<b>836701</b>	<b>SLIDE 305 LH ASSEMBLY</b>
	Includes 836520P	CLIP SLIDE



# CABINET COMPONENTS



DWG004518

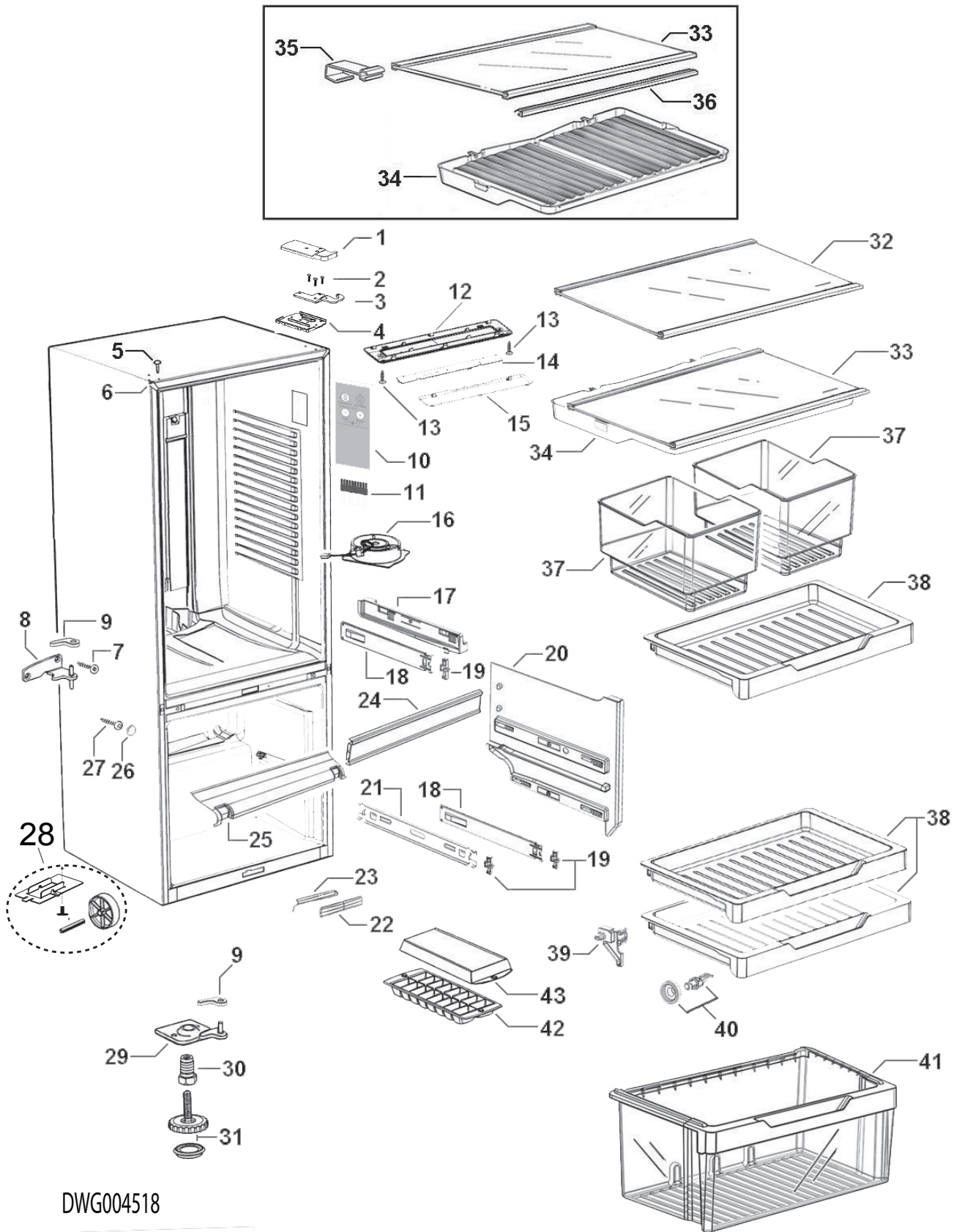
DWG 004518



## CABINET COMPONENTS

REFERENCE	PART NUMBER	PART DESCRIPTION
<b>19</b>	<b>836520P</b>	<b>CLIP SLIDE (PKT 2)</b>
<b>20</b>	<b>836545</b>	<b>RETAINER SLIDE FC B RH</b>
	<b>836546</b>	<b>RETAINER SLIDE FC B LH</b>
<b>21</b>	<b>836702</b>	<b>SLIDE 355 RH ASSEMBLY</b>
	Includes 836520P	CLIP SLIDE
	<b>836703</b>	<b>SLIDE 355 LH ASSEMBLY</b>
	Includes 836520P	CLIP SLIDE
<b>22</b>	<b>884011</b>	<b>COVER REED SWITCH ST4 SILVER</b>
<b>23</b>	<b>814443P</b>	<b>SWITCH REED FIELD FIX KIT ST4</b>
	Includes	HEATSHRINK 1/8" MW ADHESIVE LINED
<b>24</b>	<b>837586</b>	<b>BARRIER TRAY FIXED 635</b>
<b>25</b>	<b>836593</b>	<b>DUCT RETURN AIR FC 635</b>
<b>26</b>	<b>880595P</b>	<b>CAP SCREW CROSS RAIL WHITE</b>
<b>27</b>	<b>817822P</b>	<b>SCREW #10X19 AB #2 SQ TV (PKT 10)</b>
<b>28</b>	<b>847316P</b>	<b>RETAINER WHEEL STEEL KIT</b>
	Includes	RETAINER WHEEL STEEL
	Includes	SCREW 8-32X8 TY T PAN PH TV
	Includes	ROLLER FOOT FRONT
	Includes	PIN ROLLER PLATED
<b>29</b>	<b>818614P</b>	<b>BRACKET HINGE BASE RH (PKD)</b>
	Includes 883988P	CAP DOOR CLOSING RH HGE BRKT G
<b>30</b>	<b>813481</b>	<b>BOLT BLIND END HINGE BRACKET</b>
<b>31</b>	<b>818535</b>	<b>FOOT LEVELLING ASSEMBLY</b>
	Includes	WHEEL LEVELLING FOOT ASSY
	Includes	BASE LEVELLING FOOT
<b>32</b>	<b>818557</b>	<b>SHELF GL PC 635 ASSY WH PLAST</b>
	Includes	TRIM SHELF PLASTIC PC
	Includes	STIFFENNER SHELF PC PLASTIC
<b>33</b>	<b>836723</b>	<b>SHELF GL HCL 635B ASSY</b>
	Includes	SHELF GLASS PC 635
	Includes	TRIM SHELF PLASTIC PC
	Includes	STIFFENER SHELF PC PLASTIC
	Includes 836822	RETAINER HCL TASMAN
	Includes 836824	BRACKET HCL TASMAN B (2)

# CABINET COMPONENTS



## CABINET COMPONENTS

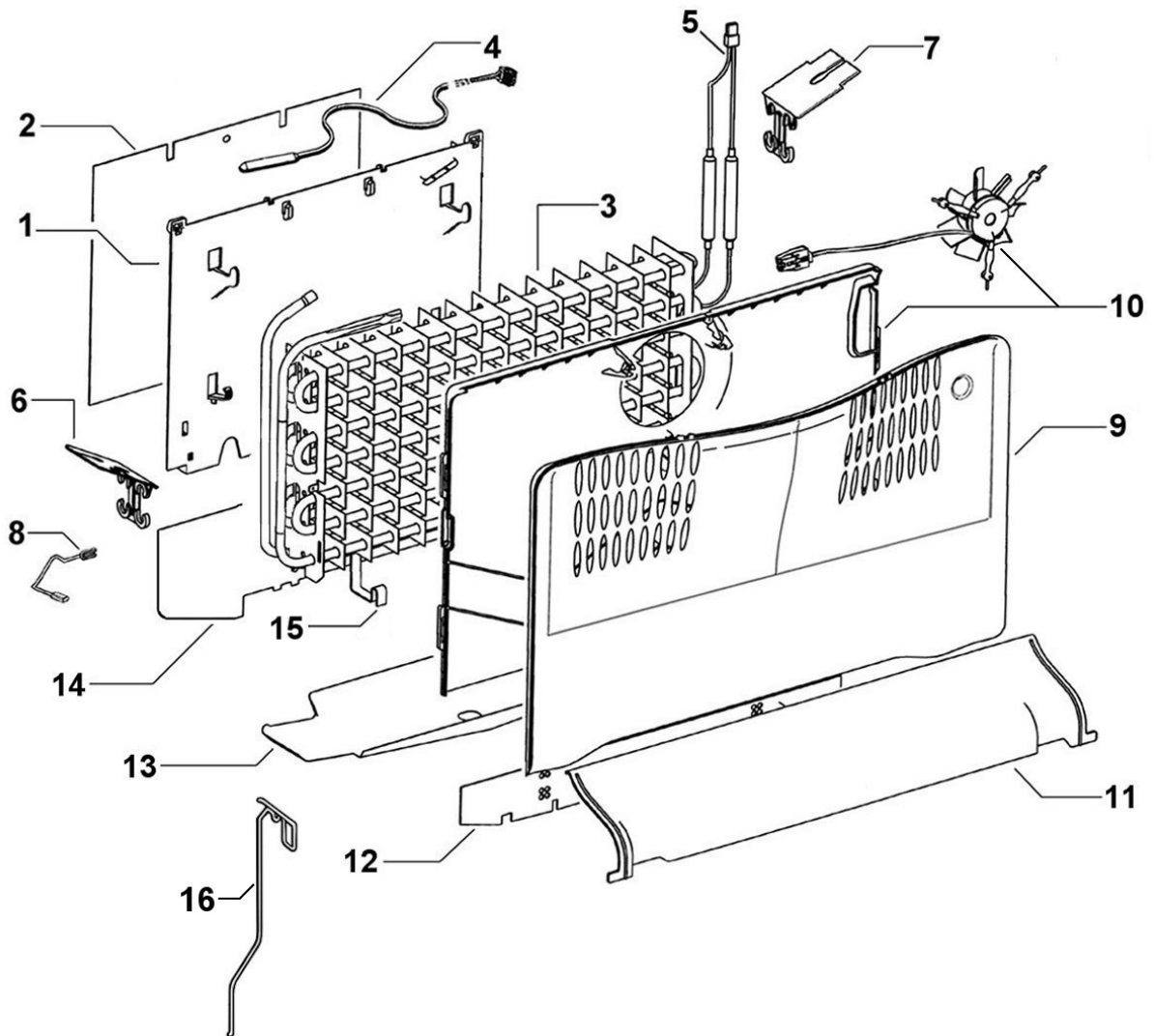
REFERENCE	PART NUMBER	PART DESCRIPTION
34	836729	LID HUMIDITY CONTROL 635B
35	836824	BRACKET HCL TASMAN B
36	836822	RETAINER HCL TASMAN
37	836522	BIN SMALL
38	836512	TRAY 635
39	836585	SKID TRAY RH
	836586	SKID TRAY LH
40	836517	WHEEL & CHASSIS ASSEMBLY (PKT 2)
41	836659	BIN LARGE 635 ASSY
42	874107	TRAY ICE BASE
43	874108	TRAY ICE LID

### JOINER KIT FOR SIDE BY SIDE CABINET CONNECTION

Used for combining any of the the following 1695mm high cabinet models: N388 ,C450, E402B, E411T, E415H, E440T, E442B, E521T and E522B

NI	819264	KIT JOINER SILVER
----	--------	-------------------

# FAN, COVER AND EVAPORATOR COMPONENTS



DWG002725 MAY 2012

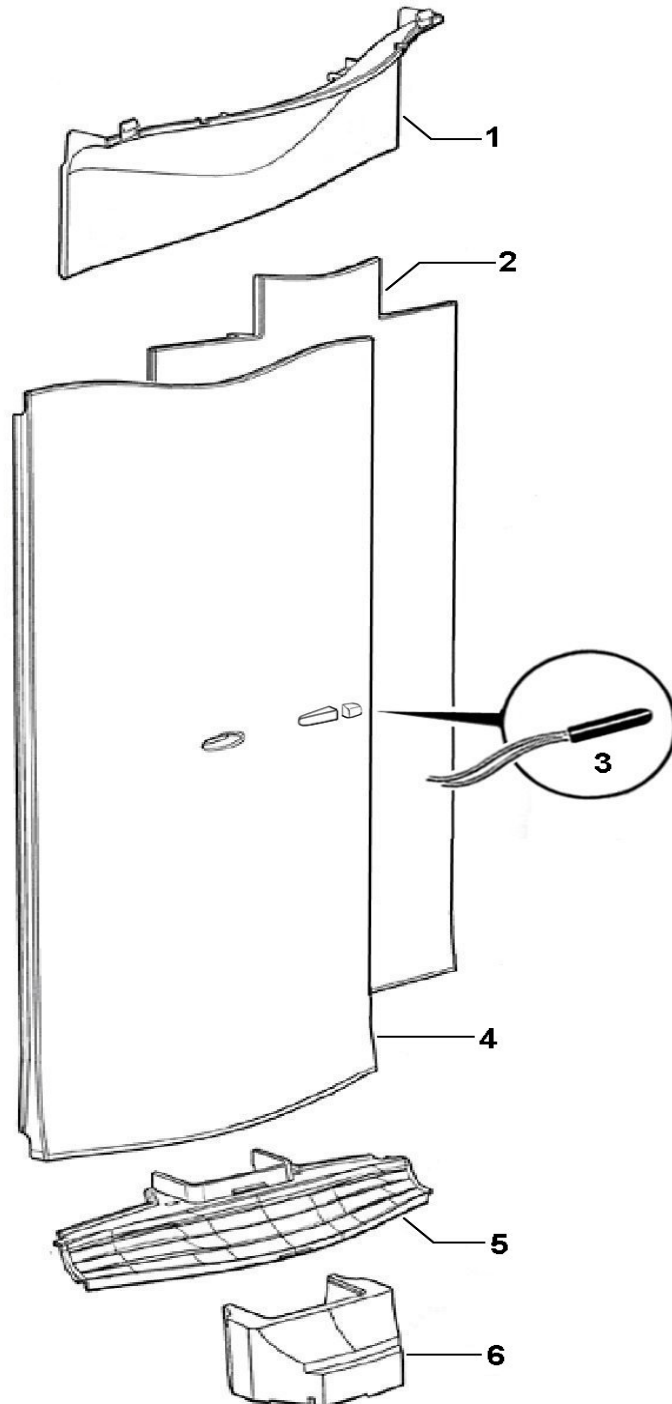
DWG 002725

## FAN, COVER AND EVAPORATOR COMPONENTS

REFERENCE	PART NUMBER	PART DESCRIPTION
<b>1</b>	<b>814446</b>	<b>CHASSIS EVAP 635 B</b>
<b>2</b>	<b>880423P</b>	<b>DEF HRT CHASSIS</b>
<b>3</b>	<b>837332P</b>	<b>EVAP ASSY 635B 230V DP</b>
	Includes	EVAPORATOR FINNED 635 R600A
	Includes 814446	CHASSIS EVAP 635 B
	Includes 814631	SHIELD EVAP B CHASSIS
	Includes 821875	HEATER DEFROST DBLE 230V 635
	Includes 880423P	DEF HRT CHASSIS
	Includes 820604	CLIP EVAP BAFFLE
	Includes 813992	CLIP ACTIVE SMART BAFFLE
	Includes 820835	CLIP DEFROST HEATER B SHORT (2)
	Includes 814460	HARNESS EARTH 100MM
	Includes	CABLE TIE 200MMX3.6
<b>4</b>	<b>855203P</b>	<b>SENSOR KIT ASSY</b>
	Includes	CONNECTOR BUTT
	Includes	HARNESS SENSOR PC
<b>5</b>	<b>821875</b>	<b>HEATER DEF DBL 230V 635</b>
<b>NI</b>	<b>821745</b>	<b>COVER PLUG TYCO</b>
<b>6</b>	<b>813992</b>	<b>CLIP ACTIVE SMART BAFFLE</b>
<b>7</b>	<b>820604</b>	<b>CLIP EVAP BAFFLE</b>
<b>8</b>	<b>814460</b>	<b>HARNESS EARTH 100MM</b>
<b>9</b>	<b>873398</b>	<b>FAN COVER FC FRONT 635B</b>
<b>10</b>	<b>306094P</b>	<b>FAN FC KIT 635 SERIES A TO D</b>
	Includes 880409P	COVER HEAT SHIELD ALUM 635
	Includes	COVER FAN FC REAR 635
	Includes	CONNECTOR IDC UP2 (2)
	Includes	FAN DC SUSPENDED FC ASSY
<b>11</b>	<b>836593</b>	<b>DUCT RETURN AIR FC 635</b>
<b>12</b>	<b>880409P</b>	<b>COVER HEAT SHIELD ALUM 635 P42</b>
<b>13</b>	<b>872831</b>	<b>SHIELD DRAIN HTR DEFROST 635B</b>
<b>14</b>	<b>814631</b>	<b>SHIELD EVAP B CHASSIS</b>
<b>15</b>	<b>820835</b>	<b>CLIP DEFROST HEATER B SHORT</b>
<b>16</b>	<b>821251</b>	<b>WIRE DRAIN HEATER DOUBLE B</b>

# DUCT COVER COMPONENTS

---



DWG002944 FEBRUARY 2013

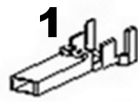
DWG 002944

## DUCT COVER COMPONENTS

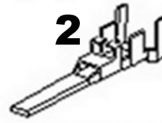
REFERENCE	PART NUMBER	PART DESCRIPTION
<b>1</b>	<b>837405</b>	<b>COVER DUCT PC TOP B</b>
<b>2</b>	<b>873950</b>	<b>INSULATION COVER DUCT LONG B</b>
<b>3</b>	<b>855203P</b>	<b>SENSOR KIT ASSY</b>
	Includes	CONNECTOR BUTT
	Includes	HARNESS SENSOR PC
<b>4</b>	<b>836861</b>	<b>COVER DUCT PC B LONG WATER</b>
<b>5</b>	<b>813287</b>	<b>GRILLE PC RETURN AIR B MODEL</b>
<b>6</b>	<b>872823</b>	<b>INSULATION INSERT PID</b>



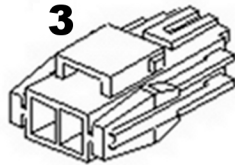
# TERMINAL, PLUGS & SOCKETS



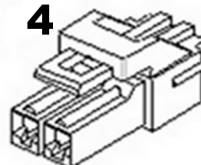
**1**  
JST SOCKET TERMINAL



**2**  
JST PIN TERMINAL



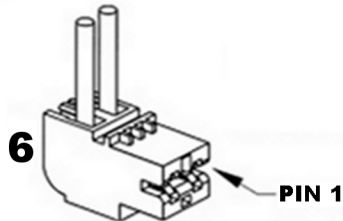
**3**  
JST SOCKET



**4**  
JST PLUG

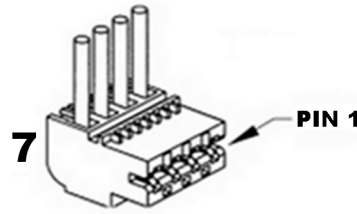


**5**  
JST RETAINER



**6**  
RAST CONNECTOR

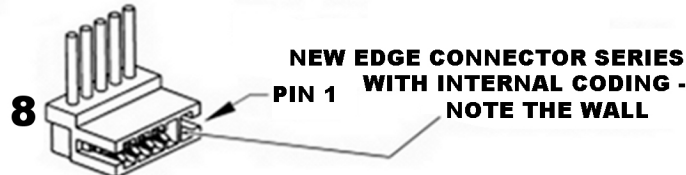
PIN 1



**7**  
RAST CONNECTOR

PIN 1

**NOTE THAT IN THE PART NAMES OF THESE CONNECTORS, THE -02- REFERS TO IT BEING A 2 WAY CONNECTOR, AND THE -AB01-(FOR EXAMPLE) REFERS TO THE CODING OF THE CONNECTOR.**

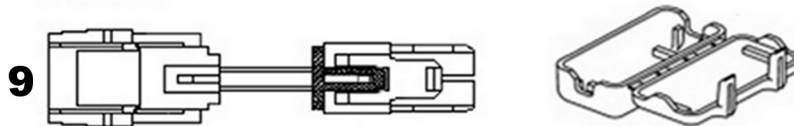


**8**  
RAST CONNECTOR

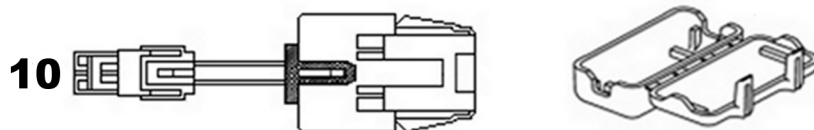
NEW EDGE CONNECTOR SERIES  
WITH INTERNAL CODING -  
NOTE THE WALL

PIN 1

**NOTE: TO MINIMISE THE NUMBER OF SPARE PARTS THAT NEED TO BE CARRIED, THESE CODED CONNECTORS ARE TO BE REPLACED WITH THEIR UNCODED EQUIVALENTS FOR THE 3, 5 AND 6 WAY CONNECTORS USED ON STAGE 4 CABINETS.**



**9**  
HARNESS ADAPTOR - JST REC TO MOLEX PLUG



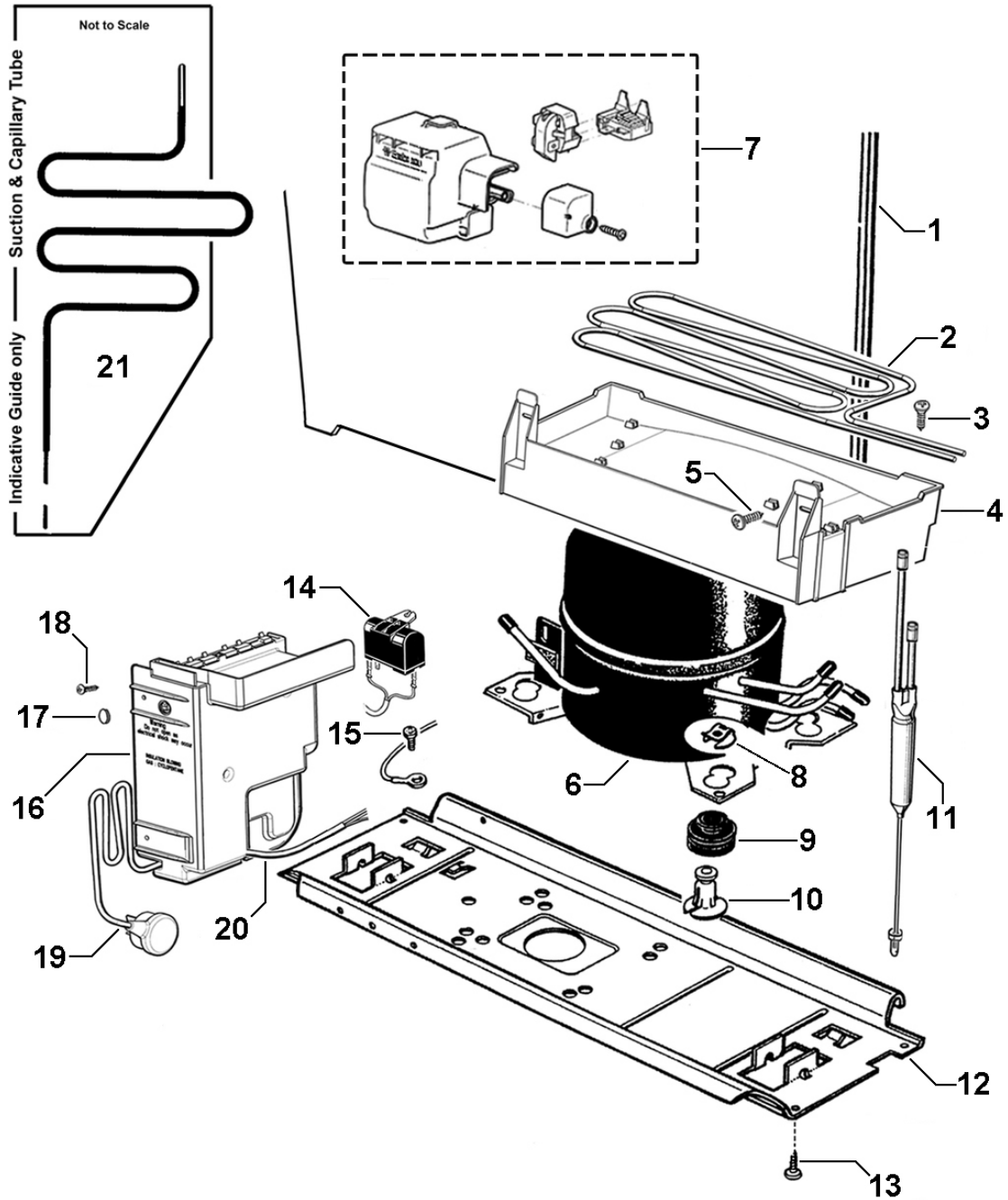
**10**  
HARNESS ADAPTOR - JST PLUG TO MOLEX REC

## TERMINAL, PLUGS & SOCKETS

REFERENCE	PART NUMBER	PART DESCRIPTION	COMMENTS
1	819607P	TERMINAL SYF-01T PKT 10	26/20 AWG
	819608P	TERMINAL SYF-41T PKT 10	20/16 AWG
2	819609P	PIN/TERM SYM-01T PKT 10	26/20 AWG
	819610P	PIN/TERM SYM-41T PKT 10	20/16 AWG
3	819615	JST SOCKET 2PIN YLR-02V	
	819616	JST SOCKET 3PIN YLR-03V	
	819617	JST SOCKET 4PIN YLR-04V	
	819618	JST SOCKET 6PIN YLR-06VF	
	819619	JST SOCKET 8 PIN YLR-08V	
4	819611	JST PLUG 2PIN YLP-02V	
	819612	JST PLUG 4PIN YLP-04V	
	819613	JST PLUG 6PIN YLP-06V	
	819614	JST PLUG 8PIN YLP-08V	
5	819620	RETAINER 2 WAY YLS-02V	
	819621	RETAINER 3 WAY YLS-03V	
6	881588	CONNECTOR RAST 9290-02-AB01	MAINS CORD
	881589	CONNECTOR RAST 9290-02-BA01	DEFROST HEATER
	881590	CONNECTOR RAST 9290-02-EE01	RUN CAPACITOR
7	881591	CONNECTOR RAST 9290-04-EF02	COMPRESSOR CABLE
8	873251	CONNECTOR RAST 7234-003-500	
	873250	CONNECTOR RAST 7234-004-500	
	881135	CONNECTOR RAST 7234-005-500	
	873247	CONNECTOR RAST 7234-006-500	
	873279	CONNECTOR RAST 7234-008-500	
	873248	CONNECTOR RAST 7234-010-500	
	873243	CONNECTOR RAST 7234-012-500	
	881136	CONNECTOR RAST 7234-014-500	
	881137	CONNECTOR RAST 7234-017-502	
9	820687P	ADAPTOR JST REC TO MOLEX KIT	
	Includes 884412	COVER PLUG MOLEX	
10	820688P	ADAPTOR JST PLUG TO MOLEX KIT	
	Includes 884412	COVER PLUG MOLEX	

**NOTE:** THE NUMBERS IN THE DESCRIPTION OF THE RAST CONNECTOR DENOTES THE NUMBER OF CONNECTIONS - EXAMPLE: 7234-017-502 =17 WAY CONNECTOR

# COMPRESSOR AREA COMPONENTS



DWG002763 JUNE 2012

DWG 002763

## COMPRESSOR AREA COMPONENTS

REFERENCE	PART NUMBER	PART DESCRIPTION
<b>1</b>	<b>874881</b>	<b>PANEL BACK ASSY 400H,395B,N388</b>
<b>2</b>	<b>814684</b>	<b>TUBE EVAP TRAY FORMED H/SHRINK</b>
<b>3</b>	<b>815236P</b>	<b>SCREW 12X1/2 TAB CSK PH (PKT 10)</b>
<b>4</b>	<b>820734</b>	<b>TRAY EVAP AS</b>
<b>5</b>	<b>817817P</b>	<b>SCREW #8X12 SP PAN NIB ST TV (PKT 10)</b>
<b>6</b>	<b>207382P</b>	<b>COMPR JIAX NB1116YL SPARE KIT</b>
	includes	COMPR JIAX NB1116YL 230V
	includes	COMPR ANCILL PARTS NB1116YL
	includes	COVER AND CLAMP JIAXIPERA
	includes	COMBO RELAY-OVERLOAD NB1116YL
	includes 842499	CAP 4UF 450V
	includes 845757	GROMMET COMPR MTG 26MM
	includes 841291	POST MT 26MM
	includes 855270	CLIP FOOT COMPRESSOR
	includes 814843	FILTER PREBRAZED LONG T
	includes 845339	HARNESS COMP 4 CORE LONG
<b>7</b>	<b>207383P</b>	<b>COMPR ANCILL PARTS NB1116YL</b>
	includes	O/LOAD NB1116YL
	includes	RELAY JIAX NB1116YL
	includes	COVER PROTECTOR NB1116YL
<b>8</b>	<b>855270P</b>	<b>CLIP FOOT COMPRESSOR (PKT 4)</b>
<b>9</b>	<b>843824P</b>	<b>GROMMET 26MMM KIT</b>
<b>10</b>	<b>841291P</b>	<b>POST COMP MTG 26MM PKT X4</b>
<b>11</b>	<b>814843P</b>	<b>FILTER DRIER LONG TAIL XH9 12 GRM</b>
<b>12</b>	<b>814903</b>	<b>TRAY COMP MOUNTING 635</b>
<b>13</b>	<b>817829P</b>	<b>SCREW 8X16 SP PAN NIB TV (PKT 10)</b>
<b>14</b>	<b>814809P</b>	<b>CAP 4UF 450V RAST5 P2</b>
<b>15</b>	<b>817828P</b>	<b>SCREW 8-32X8 TY T PAN PH TV (PKT 10)</b>
<b>16</b>	<b>837764P</b>	<b>MOD CNTRL GLTH UT 220V SVC</b>
<b>17</b>	<b>884505</b>	<b>COVER COMMS PORT</b>
<b>18</b>	<b>817829P</b>	<b>SCREW 8X16 SP PAN NIB TV (PKT 10)</b>
<b>19</b>	<b>884336</b>	<b>CORD SET SUPPLY 220-240V ST4.1</b>
<b>20</b>	<b>845339</b>	<b>HARNESS COMP 4 CORE LONG</b>
<b>21</b>	<b>821259</b>	<b>TUBE SUCT CAP ASSY 5/16 ROHS</b>

[www.fisherpaykel.com](http://www.fisherpaykel.com)

Copyright © Fisher & Paykel Appliances Ltd 2017. All rights reserved.  
The product specifications in this manual apply to the specific model described at the date of issue. Under our policy of continuous product improvement, these specifications may change at any time. Only use this manual if the product code on the front matches the product code on the serial label of the product.

**AU NZ**

**PRODUCT CODE: 24830-C 11.17**