

FISHER & PAYKEL

REFRIGERATOR FREEZER

RF372BRPX6 FP AA

PRODUCT CODE: 25016-B

PARTS MANUAL

AA

INTRODUCTION

BRAND	VOLTAGE	MODEL	PRODUCT CODE
Fisher & Paykel	220-240V 50Hz	RF372BRPX6 FP AA	25016-B

MODELS

The models covered by this manual are listed on the front cover. The information detailed in this manual is subject to change without notice. The latest version is indicated by the reprint date and replaces any earlier editions.

KIT PARTS

Where a part number is shown against the descriptions for kit components, they are also available as separate items. In addition, some parts may be supplied with these kits that are not available as separate items, and are therefore either not listed, or a part number is not shown against the part description in this manual.

PARTS LIST KEY

NI	As a part reference, indicates the part is not illustrated on the diagram.
NOT USED	As a part number, indicates the diagram part reference is not used in this manual.
NS	As a part number, indicates the part is not servicable.

NZ

Fisher & Paykel Appliances Ltd
78 Springs Road, East Tamaki
Manukau 2013
PO Box 58-546 Botany
Manukau 2163
New Zealand

tel: 09 273 0600
fax: 09 273 0656
e-mail: nz.customer@fisherpaykel.com

AU

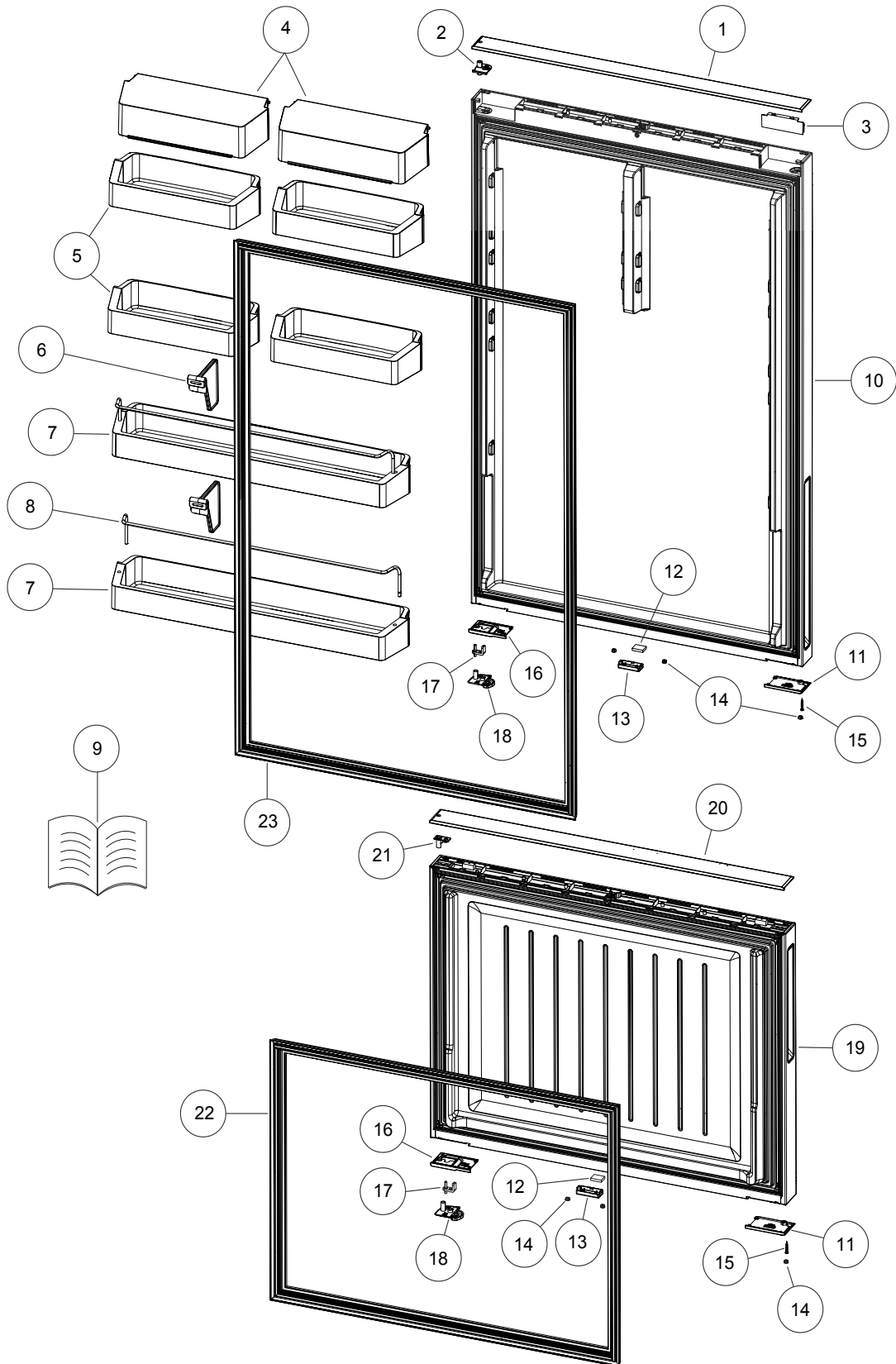
Fisher & Paykel Customer Services Pty Ltd
PO Box 798, Cleveland, QLD 4163
A.C.N. 003 3335 171
19 Enterprise Street
Cleveland, QLD 4163
Australia

tel: 07 3826 9100
fax: 07 3826 9164
e-mail: aus.customer@fisherpaykel.com

CONTENTS

INTRODUCTION	1
DOOR COMPONENTS	3
CABINET COMPONENTS	5
FAN, COVER AND EVAPORATOR COMPONENTS	11
DUCT COVER COMPONENTS	13
TERMINAL, PLUGS & SOCKETS	15
COMPRESSOR AREA COMPONENTS	17

DOOR COMPONENTS



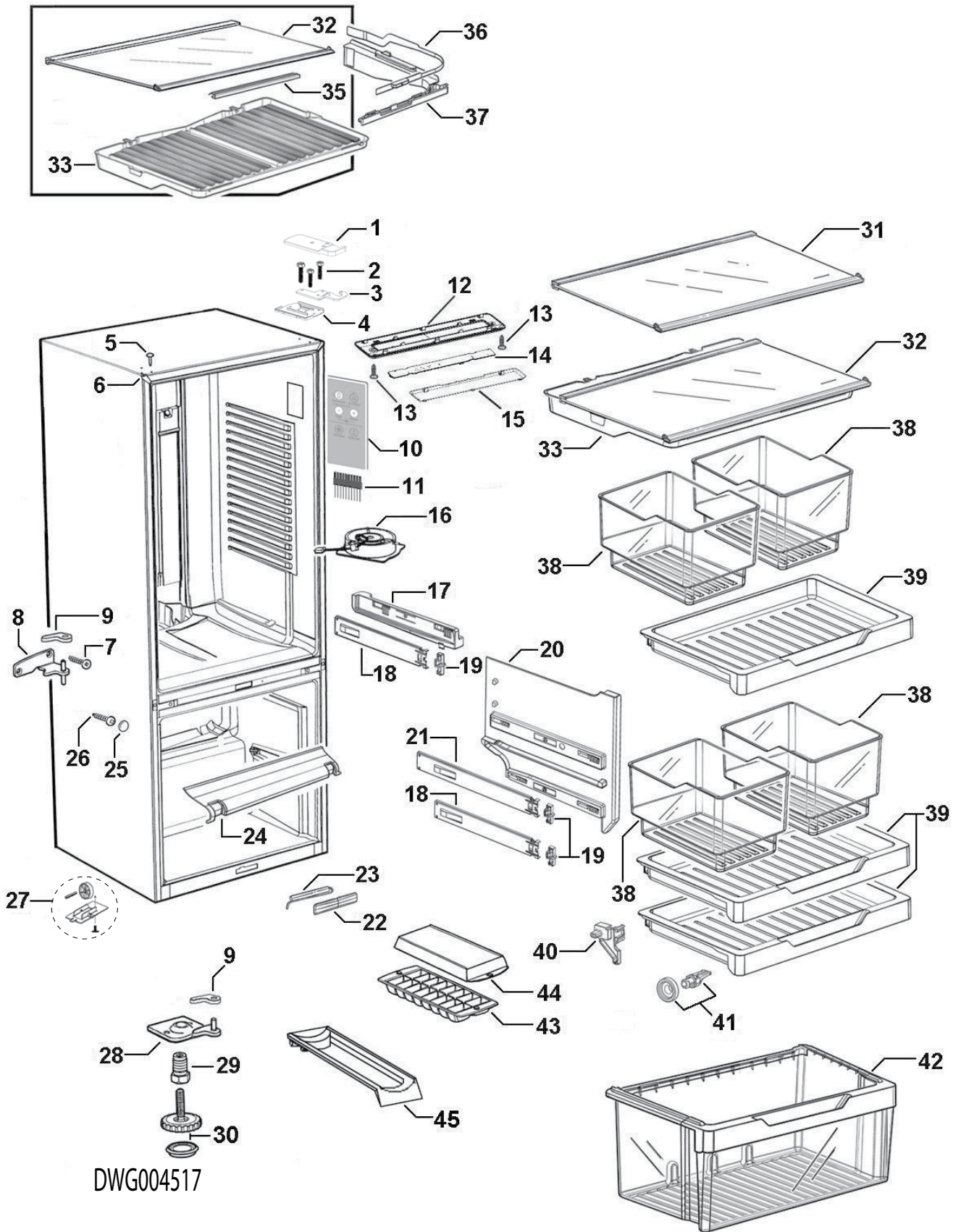
DWG004189

DWG 004189

DOOR COMPONENTS

REFERENCE	PART NUMBER	PART DESCRIPTION
1	843902	COVER DOOR TOP 635 GR
2	839659	BEARING HINGE WATER RH UD
3	842103	COVER DOOR TOP NONHINGE GR
4	839718	COVER SHELF DAIRY 635
5	839722	SHELF DOOR SOLID 635
6	821805	DIVIDER BOTTLE 522B
7	839716	SHELF DOOR BOTTOM 635
8	839717	RAIL SHELF DOOR 635
9	843023	BOOK USE&CARE BOOK NZ/AU/ROW
10	848034P	DOOR PC 635X952.5 P SX RH LGO
11	842369P	COVER DOOR BOT NONHINGE RH GR
12	883315	MAGNET DOOR SWITCH ST4
13	842122	COVER MAGNET DOOR UD GR
14	842483P	PLUG DOOR BOTTOM GR
15	817825P	SCREW #8X22 WAFER PH ST TV
16	842372	COVER DR BOT UD HINGE RH GR
17	814537	DOOR STOP ASSY
18	843387	CLOSING HOOK DR STOP RH GR NO FLG
19	839795P	DOOR FC 635X605 P SX RH
20	844778	COVER DOOR TOP 635 GR RH
21	813931	BEARING HINGE TOP GR
22	841363P	GASKET FRAME PUSHIN 635B FC
23	841359P	GASKET FRAME PUSHIN 372B/331T

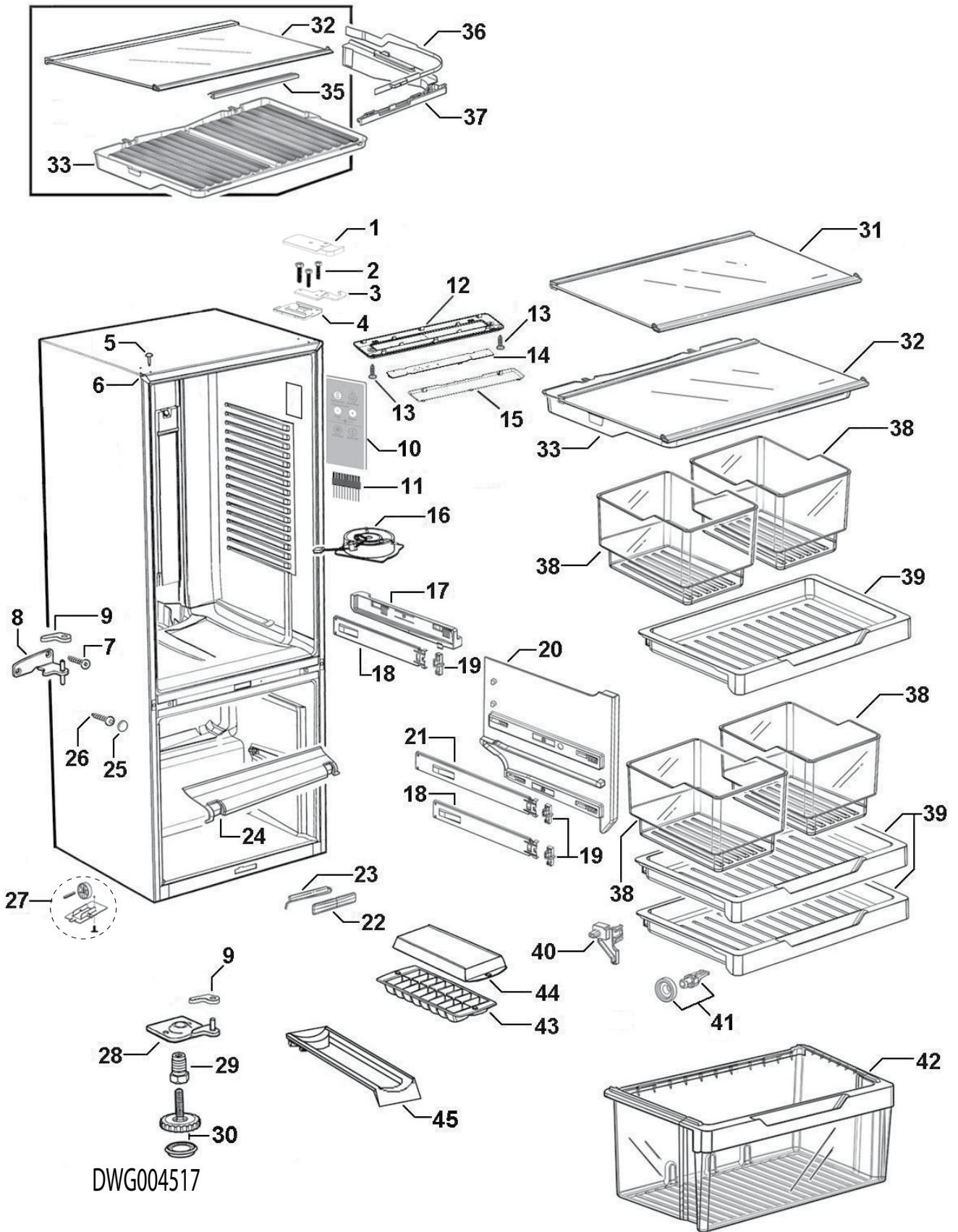
CABINET COMPONENTS



CABINET COMPONENTS

REFERENCE	PART NUMBER	PART DESCRIPTION
1	846778P	COVER HINGE LOW NIW GRY R
2	817818P	SCREW M5X20 HEX PH ST TV (PKT 10)
3	820717	BRACKET HINGE IW RH
4	846774P	SUPPORT HINGE LOW NIW
	847437	KIT COVER HINGE LOW GRY RH
	Includes 846778P	COVER HINGE LOW NIW GRY R
	Includes 846774P	SUPPORT HINGE LOW NIW
5	881131P	PLUG TAPPED HOLE WHITE (PKT 3)
6	883951	TRIM CORNER SILVER 680/790
7	880656P	SCREW 10GX25CSK SQ SS (PKT 10)
8	881283P	BRACKET CTR HINGE RH (PKD)
	Includes 883988P	CAP DOOR CLOSING RH HGE BRKT G
9	883988P	CAP DOOR CLOSING RH HGE BRKT G
10	837327P	MOD DISP AS U2 INT 6 BUT SVC
11	839618P	KIT HARNESS DISPLAY 5 PIN
12	820736	HOUSING FRONT LED PC
13	817816P	SCREW 6 X12 AB TRUSS PH ST TV (PKT 10)
14	845096P	MOD LAMP AS CEILING SVC
15	820737	WINDOW LED PC
16	848320P	PC 3W FAN ASSY JST/DCT
	Includes	FAN HOUSING PC ASSY
	Includes	DUCT JUNCTION
	Includes	CONNECTOR IDC UP2 (2)
	Includes	LABEL WARNING 12 VOLT DC
	Includes	SHEET INSTRUCTION PC FAN ASSY
17	836808	RETAINER & SLIDE 680 RH ASSY
	Includes 836700	SLIDE 305 RH ASSEMBLY
	Includes 836520P	CLIP SLIDE
	836807	RETAINER & SLIDE 680 LH ASSY
	Includes 836701	SLIDE 305 LH ASSEMBLY
	Includes 836520P	CLIP SLIDE
18	836700	SLIDE 305 RH ASSEMBLY
	Includes 836520P	CLIP SLIDE
	836701	SLIDE 305 LH ASSEMBLY
	Includes 836520P	CLIP SLIDE

CABINET COMPONENTS

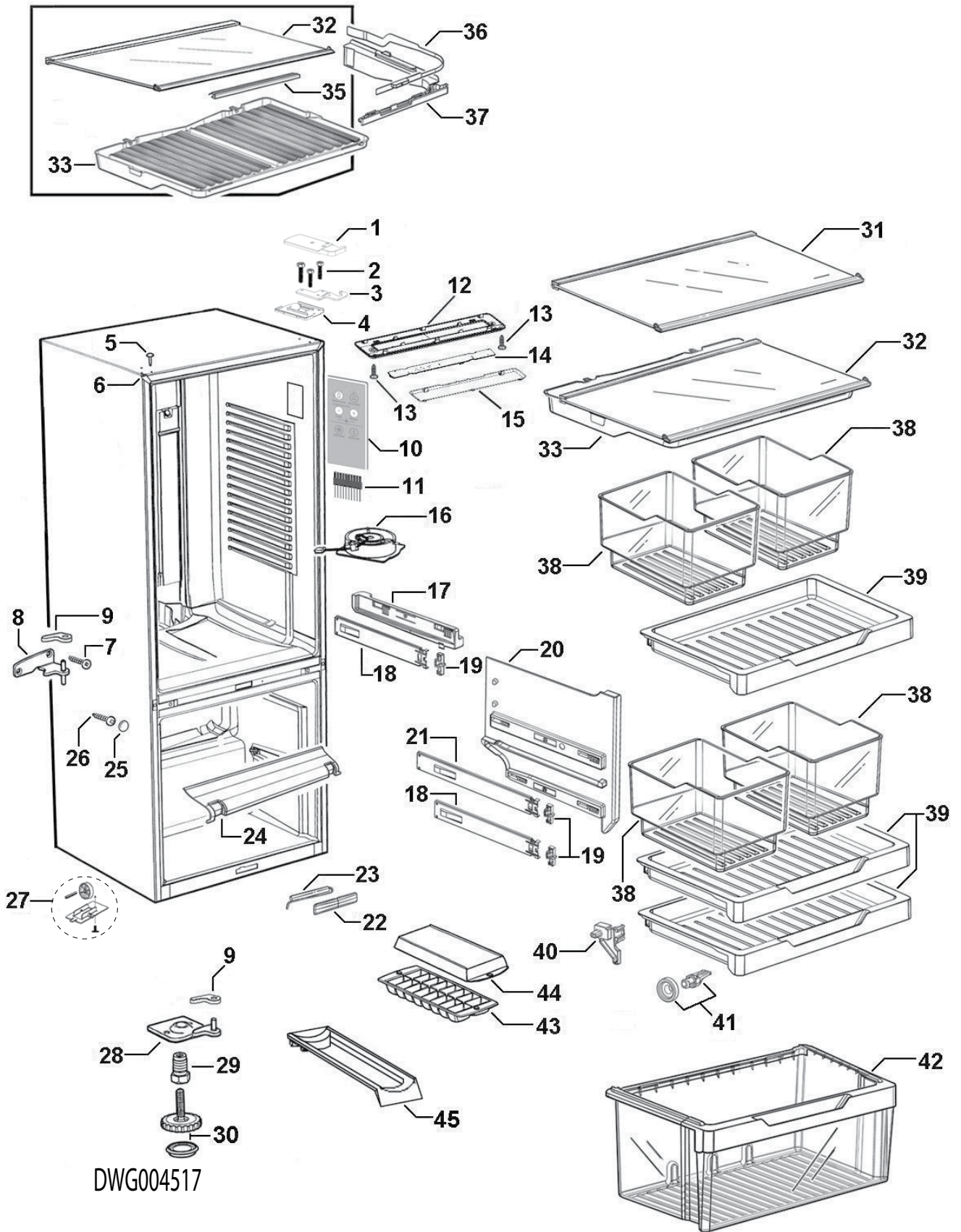


DWG004517

CABINET COMPONENTS

REFERENCE	PART NUMBER	PART DESCRIPTION
19	836520P	CLIP SLIDE (PKT 2)
20	836545	RETAINER SLIDE FC B RH
	836546	RETAINER SLIDE FC B LH
21	836702	SLIDE 355 RH ASSEMBLY
	Includes 836520P	CLIP SLIDE
	836703	SLIDE 355 LH ASSEMBLY
	Includes 836520P	CLIP SLIDE
22	881420	COVER REED SWITCH WHITE ST4
23	814443P	SWITCH REED FIELD FIX KIT ST4
	Includes	HEATSHRINK 1/8" MW ADHESIVE LINED
24	836593	DUCT RETURN AIR FC 635
25	880595P	CAP SCREW CROSS RAIL WHITE
26	817822P	SCREW #10X19 AB #2 SQ TV (PKT 10)
27	847316P	RETAINER WHEEL STEEL KIT
	Includes	RETAINER WHEEL STEEL
	Includes	SCREW 8-32X8 TY T PAN PH TV
	Includes	ROLLER FOOT FRONT
	Includes	PIN ROLLER PLATED
28	818614P	BRACKET HINGE BASE RH (PKD)
	Includes 883988P	CAP DOOR CLOSING RH HGE BRKT G
29	813481	BOLT BLIND END HINGE BRACKET
30	818535	FOOT LEVELLING ASSEMBLY
	Includes	WHEEL LEVELLING FOOT ASSY
	Includes	BASE LEVELLING FOOT
31	821037	SHELF GL PC 635 ASSY SC
	Includes	SHELF GLASS PC 635
	Includes	TRIM SHELF PC 635 SC
	Includes	STIFFENER SHELF PLASTIC PC SC
	Includes 836567	PLUG TRIM SHELF RH
	Includes 836568	PLUG TRIM SHELF LH

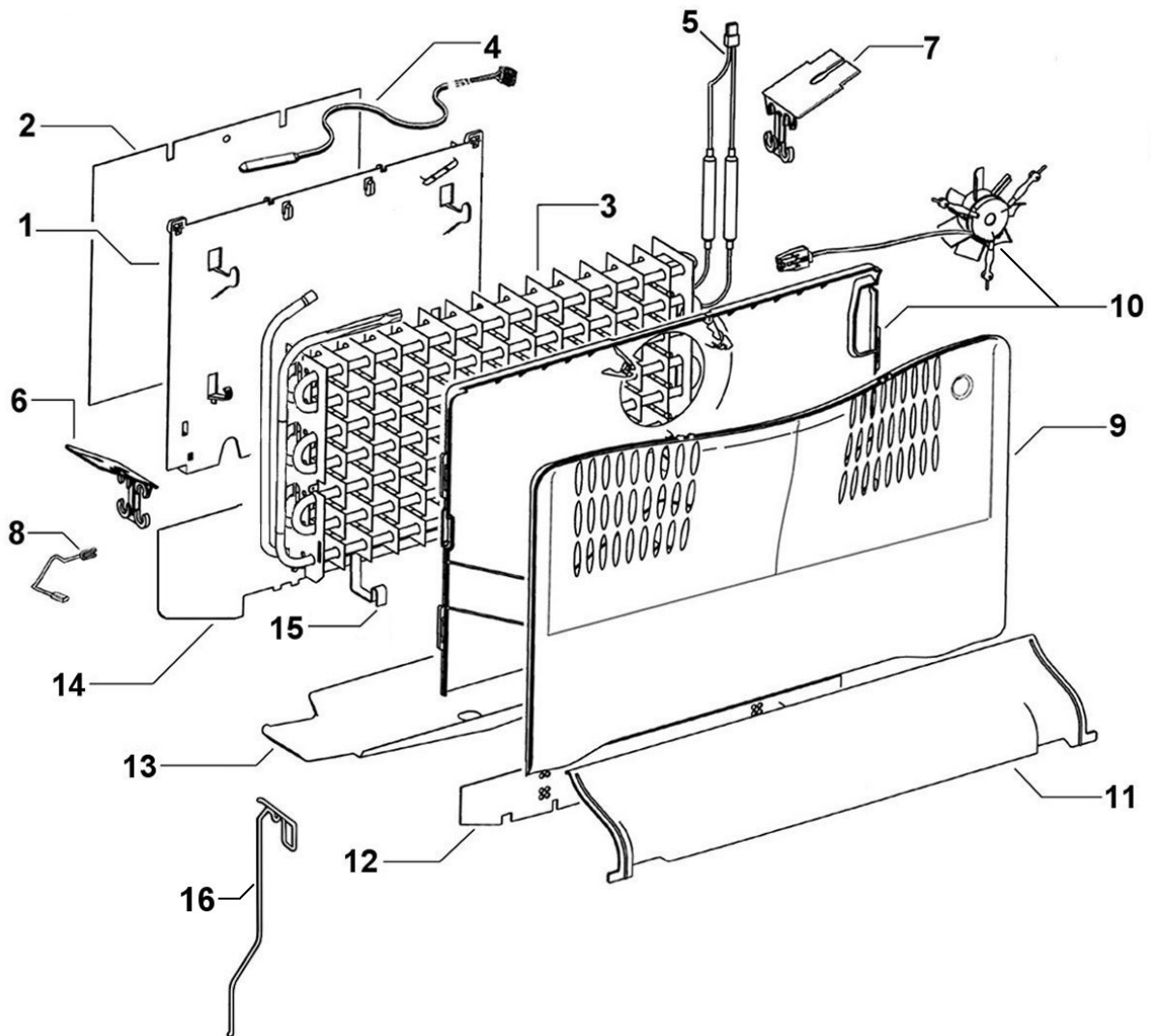
CABINET COMPONENTS



CABINET COMPONENTS

REFERENCE	PART NUMBER	PART DESCRIPTION
32	821038	SHELF GL HCL 635B ASSY SC
	Includes	SHELF GLASS PC 635
	Includes	TRIM SHELF HCL 635 SC
	Includes	STIFFENER SHELF PC 635 SC
	Includes 836567	PLUG TRIM SHELF RH
	Includes 836568	PLUG TRIM SHELF LH
	Includes 836580	RETAINER HCL FRONT 635
33	836729	LID HUMIDITY CONTROL 635B
35	836580	RETAINER HCL FRONT 635
36	836631	SLIDE CONTROL HUMIDITY RH
	836633	SLIDE CONTROL HUMIDITY LH
37	836632	GUIDE CONTROL HUMIDITY RH
	836634	GUIDE CONTROL HUMIDITY LH
38	836522	BIN SMALL
39	836512	TRAY 635
40	836585	SKID TRAY RH
	836586	SKID TRAY LH
41	836517	WHEEL & CHASSIS ASSEMBLY (PKT 2)
42	836659	BIN LARGE 635 ASSY
43	874107	TRAY ICE BASE
44	874108	TRAY ICE LID
45	860593	BOTTLE HOLDER SINGLE ASSY
JOINER KIT FOR SIDE BY SIDE CABINET CONNECTION		
Used for combining any of the the following 1695mm high cabinet models: N388 ,C450, E402B, E411T, E415H, E440T, E442B, E521T and E522B		
NI	819264	KIT JOINER SILVER

FAN, COVER AND EVAPORATOR COMPONENTS



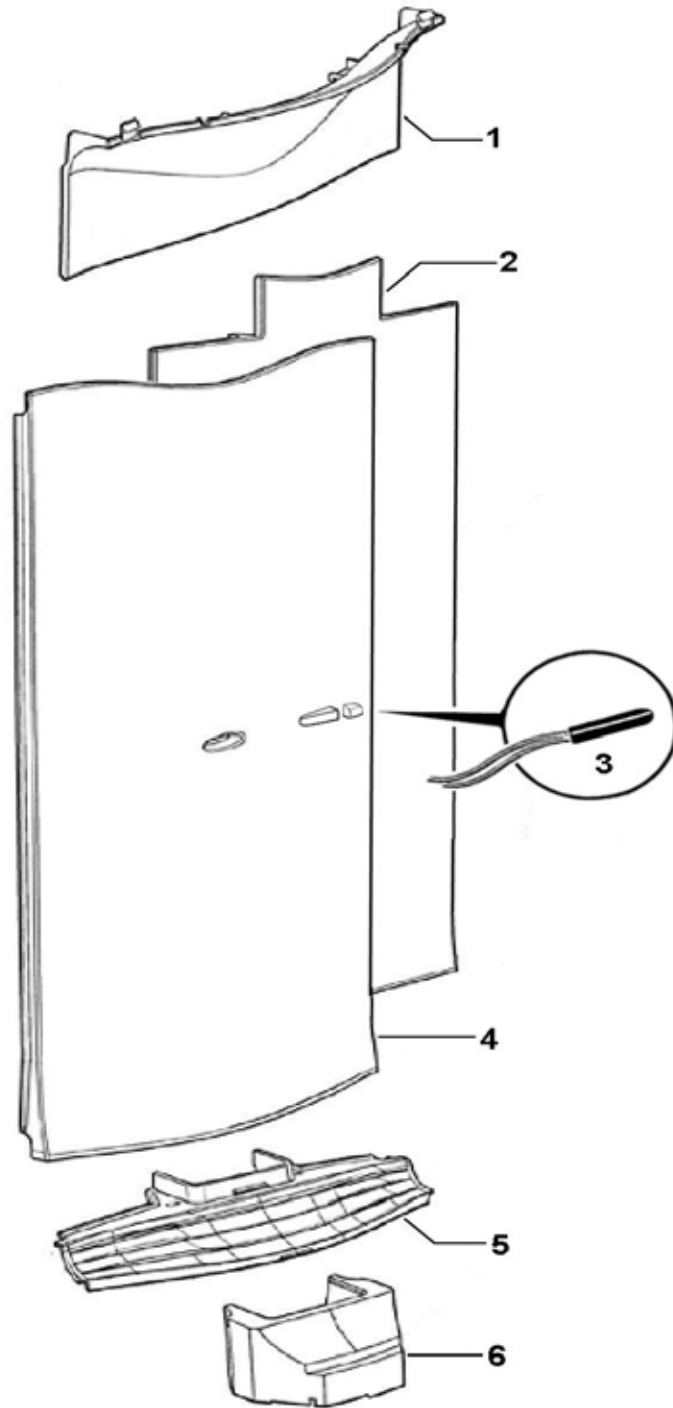
DWG002725 MAY 2012

DWG 002725

FAN, COVER AND EVAPORATOR COMPONENTS

REFERENCE	PART NUMBER	PART DESCRIPTION
1	814446	CHASSIS EVAP 635 B
2	880423P	DEF HRT CHASSIS
3	837332P	EVAP ASSY 635B 230V DP
	Includes	EVAPORATOR FINNED 635 R600A
	Includes 814446	CHASSIS EVAP 635 B
	Includes 814631	SHIELD EVAP B CHASSIS
	Includes 821875	HEATER DEFROST DBLE 230V 635
	Includes 880423P	DEF HRT CHASSIS
	Includes 820604	CLIP EVAP BAFFLE
	Includes 813992	CLIP ACTIVE SMART BAFFLE
	Includes 820835	CLIP DEFROST HEATER B SHORT (2)
	Includes 814460	HARNESS EARTH 100MM
	Includes	CABLE TIE 200MMX3.6
4	855203P	SENSOR KIT ASSY
	Includes	CONNECTOR BUTT
	Includes	HARNESS SENSOR PC
5	821875	HEATER DEF DBL 230V 635
NI	821745	COVER PLUG TYCO
6	813992	CLIP ACTIVE SMART BAFFLE
7	820604	CLIP EVAP BAFFLE
8	814460	HARNESS EARTH 100MM
9	873398	COVER FAN FC FRONT 365B
10	848314P	FAN FC 3W KIT 635 SERIES A TO
	Includes 880409P	COVER HEAT SHIELD ALUM 635
	Includes	COVER FAN FC REAR 635
	Includes	CONNECTOR IDC UP2 (2)
	Includes	FAN DC SUSPENDED FC ASSY
11	836593	DUCT RETURN AIR FC 635
12	880409P	COVER HEAT SHIELD ALUM 635 P42
13	872831	SHIELD DRAIN HTR DEFROST 635B
14	814631	SHIELD EVAP B CHASSIS
15	820835	CLIP DEFROST HEATER B SHORT
16	821251	WIRE DRAIN HEATER DOUBLE B

DUCT COVER COMPONENTS



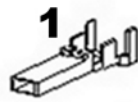
DWG002944 FEBRUARY 2013

DWG 002944

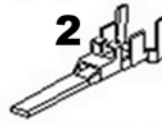
DUCT COVER COMPONENTS

REFERENCE	PART NUMBER	PART DESCRIPTION
1	837405	COVER DUCT PC TOP B
2	873950	INSULATION COVER DUCT LONG B
3	855203P	SENSOR KIT ASSY
	Includes	CONNECTOR BUTT
	Includes	HARNESS SENSOR PC
4	836861	COVER DUCT PC B LONG WATER
5	813287	GRILLE PC RETURN AIR B MODEL
6	872823	INSULATION INSERT PID

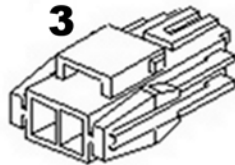
TERMINAL, PLUGS & SOCKETS



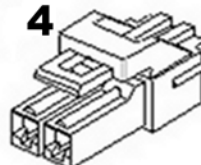
1
JST SOCKET TERMINAL



2
JST PIN TERMINAL



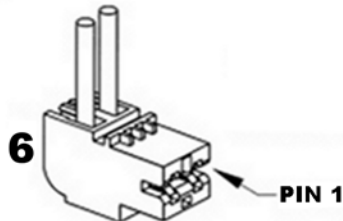
3
JST SOCKET



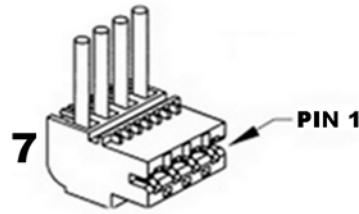
4
JST PLUG



5
JST RETAINER



6
RAST CONNECTOR



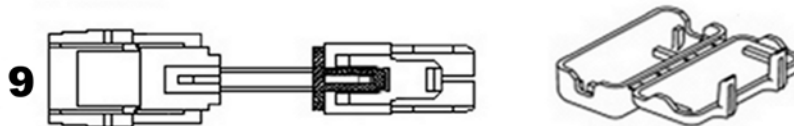
7
RAST CONNECTOR

NOTE THAT IN THE PART NAMES OF THESE CONNECTORS, THE -02- REFERS TO IT BEING A 2 WAY CONNECTOR, AND THE -AB01-(FOR EXAMPLE) REFERS TO THE CODING OF THE CONNECTOR.

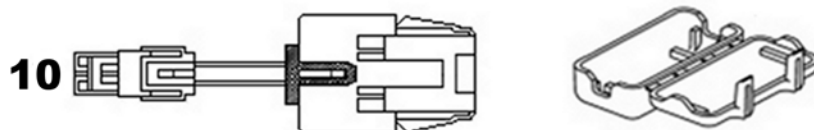


8
RAST CONNECTOR

NOTE: TO MINIMISE THE NUMBER OF SPARE PARTS THAT NEED TO BE CARRIED, THESE CODED CONNECTORS ARE TO BE REPLACED WITH THEIR UNCODED EQUIVALENTS FOR THE 3, 5 AND 6 WAY CONNECTORS USED ON STAGE 4 CABINETS.



9
HARNESS ADAPTOR - JST REC TO MOLEX PLUG



10
HARNESS ADAPTOR - JST PLUG TO MOLEX REC

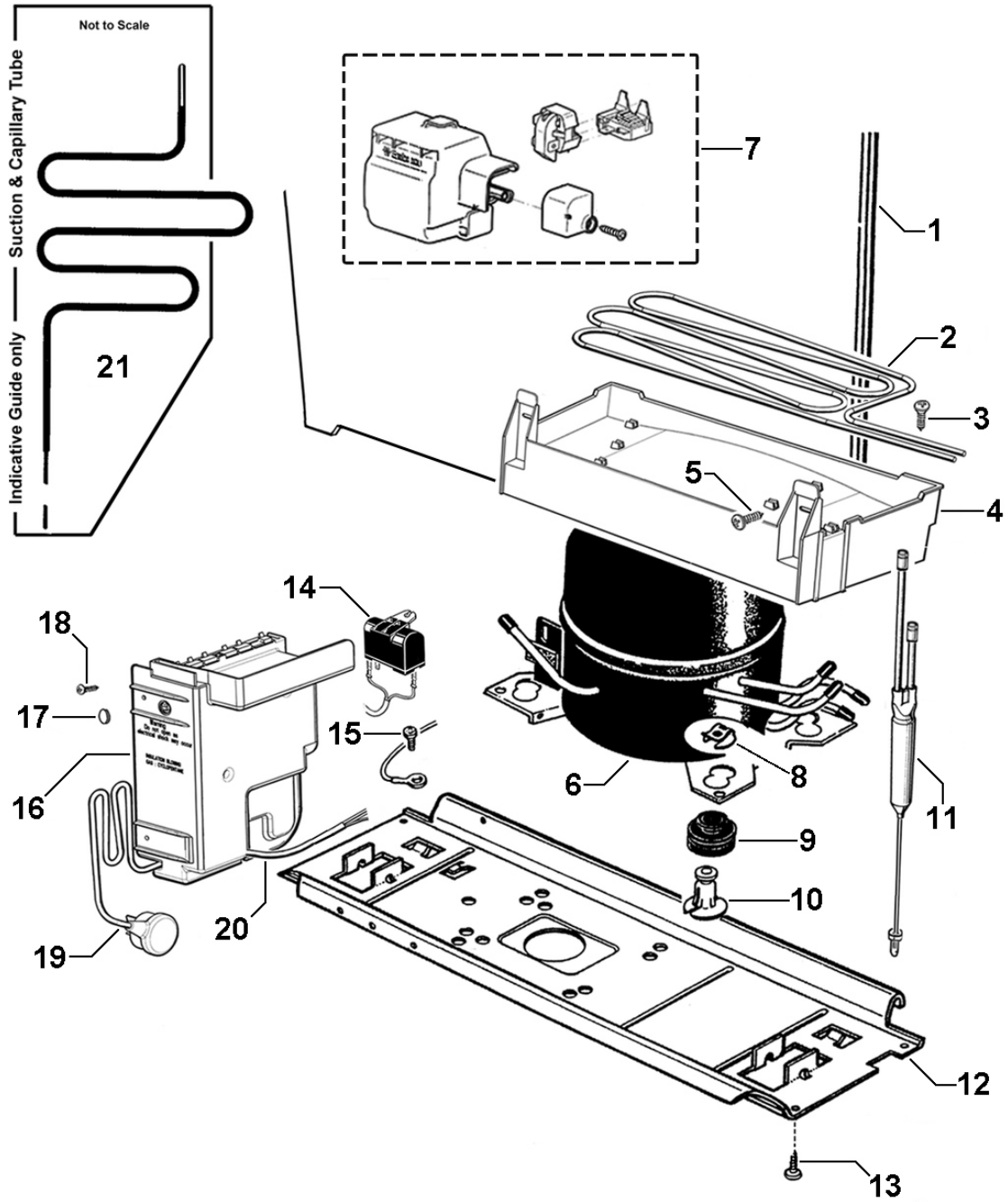
DWG002630 FEBRUARY 2012

TERMINAL, PLUGS & SOCKETS

REFERENCE	PART NUMBER	PART DESCRIPTION	COMMENTS
1	819607P	TERMINAL SYF-01T PKT 10	26/20 AWG
	819608P	TERMINAL SYF-41T PKT 10	20/16 AWG
2	819609P	PIN/TERM SYM-01T PKT 10	26/20 AWG
	819610P	PIN/TERM SYM-41T PKT 10	20/16 AWG
3	819615	JST SOCKET 2PIN YLR-02V	
	819616	JST SOCKET 3PIN YLR-03V	
	819617	JST SOCKET 4PIN YLR-04V	
	819618	JST SOCKET 6PIN YLR-06VF	
	819619	JST SOCKET 8 PIN YLR-08V	
4	819611	JST PLUG 2PIN YLP-02V	
	819612	JST PLUG 4PIN YLP-04V	
	819613	JST PLUG 6PIN YLP-06V	
	819614	JST PLUG 8PIN YLP-08V	
5	819620	RETAINER 2 WAY YLS-02V	
	819621	RETAINER 3 WAY YLS-03V	
6	881588	CONNECTOR RAST 9290-02-AB01	MAINS CORD
	881589	CONNECTOR RAST 9290-02-BA01	DEFROST HEATER
	881590	CONNECTOR RAST 9290-02-EE01	RUN CAPACITOR
7	881591	CONNECTOR RAST 9290-04-EF02	COMPRESSOR CABLE
8	873251	CONNECTOR RAST 7234-003-500	
	873250	CONNECTOR RAST 7234-004-500	
	881135	CONNECTOR RAST 7234-005-500	
	873247	CONNECTOR RAST 7234-006-500	
	873279	CONNECTOR RAST 7234-008-500	
	873248	CONNECTOR RAST 7234-010-500	
	873243	CONNECTOR RAST 7234-012-500	
	881136	CONNECTOR RAST 7234-014-500	
	881137	CONNECTOR RAST 7234-017-502	
9	820687P	ADAPTOR JST REC TO MOLEX KIT	
	Includes 884412	COVER PLUG MOLEX	
10	820688P	ADAPTOR JST PLUG TO MOLEX KIT	
	Includes 884412	COVER PLUG MOLEX	

NOTE: THE NUMBERS IN THE DESCRIPTION OF THE RAST CONNECTOR DENOTES THE NUMBER OF CONNECTIONS - EXAMPLE: 7234-017-502 =17 WAY CONNECTOR

COMPRESSOR AREA COMPONENTS



DWG002763 JUNE 2012

DWG 002763

COMPRESSOR AREA COMPONENTS

REFERENCE	PART NUMBER	PART DESCRIPTION
1	874881	PANEL BACK ASSY 400H,395B,N388
2	814684	TUBE EVAP TRAY FORMED H/SHRINK
3	815236P	SCREW 12X1/2 TAB CSK PH (PKT 10)
4	820734	TRAY EVAP AS
5	817817P	SCREW #8X12 SP PAN NIB ST TV (PKT 10)
6	207377P	COMPR JIAX TB1113YL SPARE KIT
	includes	COMPR JIAX TB1113YL 230V
	includes	COMPR ANCILL PARTS TB1113YL
	includes	COVER AND CLAMP JIAXIPERA
	includes	COMBO RELAY-OVERLOAD TB1113YL
	includes 845338	HARNESS COMP 4 CORE SHORT
	includes 845323	CAP 3 UF 450V RAST 5 P2
	includes 845757	GROMMET COMPR MTG 26MM
	includes 841291	POST MT 26MM
	includes 855270	CLIP FOOT COMPRESSOR
	includes 814843	FILTER PREBRAZED LONG T
7	207378P	COMPR ANCILL PARTS TB1113YL
	includes	O/LOAD TB1113YL
	includes	RELAY JIAX TB1113YL
	includes	COVER PROTECTOR TB1113YL
8	855270P	CLIP FOOT COMPRESSOR (PKT 4)
9	843824P	GROMMET 26MMM KIT
10	841291P	POST COMP MTG 26MM PKT X4
11	814843P	FILTER DRIER LONG TAIL XH9 12 GRM
12	820335	TRAY COMP MOUNTING 635VCC
13	817829P	SCREW 8X16 SP PAN NIB TV (PKT 10)
14	814809P	CAP 4UF 450V RAST5 P2
15	817828P	SCREW 8-32X8 TY T PAN PH TV (PKT 10)
16	847818P	MOD CNTRL F AS51 120-230V SVC
17	884505	COVER COMMS PORT
18	817829P	SCREW 8X16 SP PAN NIB TV (PKT 10)
19	884336	CORD SET SUPPLY 220-240V ST4.1
20	845338	HARNESS COMP 4 CORE SHORT
21	821259	TUBE SUCT CAP ASSY 5/16 ROHS

FISHERPAYKEL.COM

© Fisher & Paykel Appliances LTD 2018. All rights reserved.

The product specifications in this booklet apply to the specific products and models described at the date of issue. Under our policy of continuous product improvement, these specifications may change at any time. You should therefore check with your Dealer to ensure this booklet correctly describes the product currently available.

AA

PRODUCT CODE: 25016-B 05.18