

PARTS MANUAL

Refrigerator Freezer

RF411TLPX6 FP AA

Product Code
24757-C

AA

Fisher & Paykel

CONTENTS

INTRODUCTION	2
DOOR COMPONENTS	3
CABINET COMPONENTS	5
FAN, COVERS AND EVAPORATOR COMPONENTS	9
ELECTRONIC MODULE AND DUCT COVERS	11
TERMINAL, PLUGS & SOCKETS	13
COMPRESSOR, ANCILLARY COMPONENTS & CONTROL MODULE	15

INTRODUCTION

BRAND	VOLTAGE	MODEL	PRODUCT CODE
Fisher & Paykel	230-240 50Hz	RF411TLPX6 FP AA	24757-C

MODELS

The models covered by this manual are listed on the front cover. The information detailed in this manual is subject to change without notice. The latest version is indicated by the reprint date and replaces any earlier editions.

KIT PARTS

Where a part number is shown against the descriptions for these kit components, they are also available as separate items. In addition, some parts may be supplied with these kits that are not available as separate items, and are therefore either not listed, or a part number is not shown against the part description in this manual.

PARTS LIST KEY

NI	As a part reference, indicates the part is not illustrated on the diagram.
NOT USED	As a part number, indicates the diagram part reference is not used in this manual.
NS	As a part number, indicates the part is not servicable.

NZ

Fisher & Paykel Appliances Ltd
78 Springs Road, East Tamaki
Manukau 2013
PO Box 58-546 Botany
Manukau 2163
New Zealand

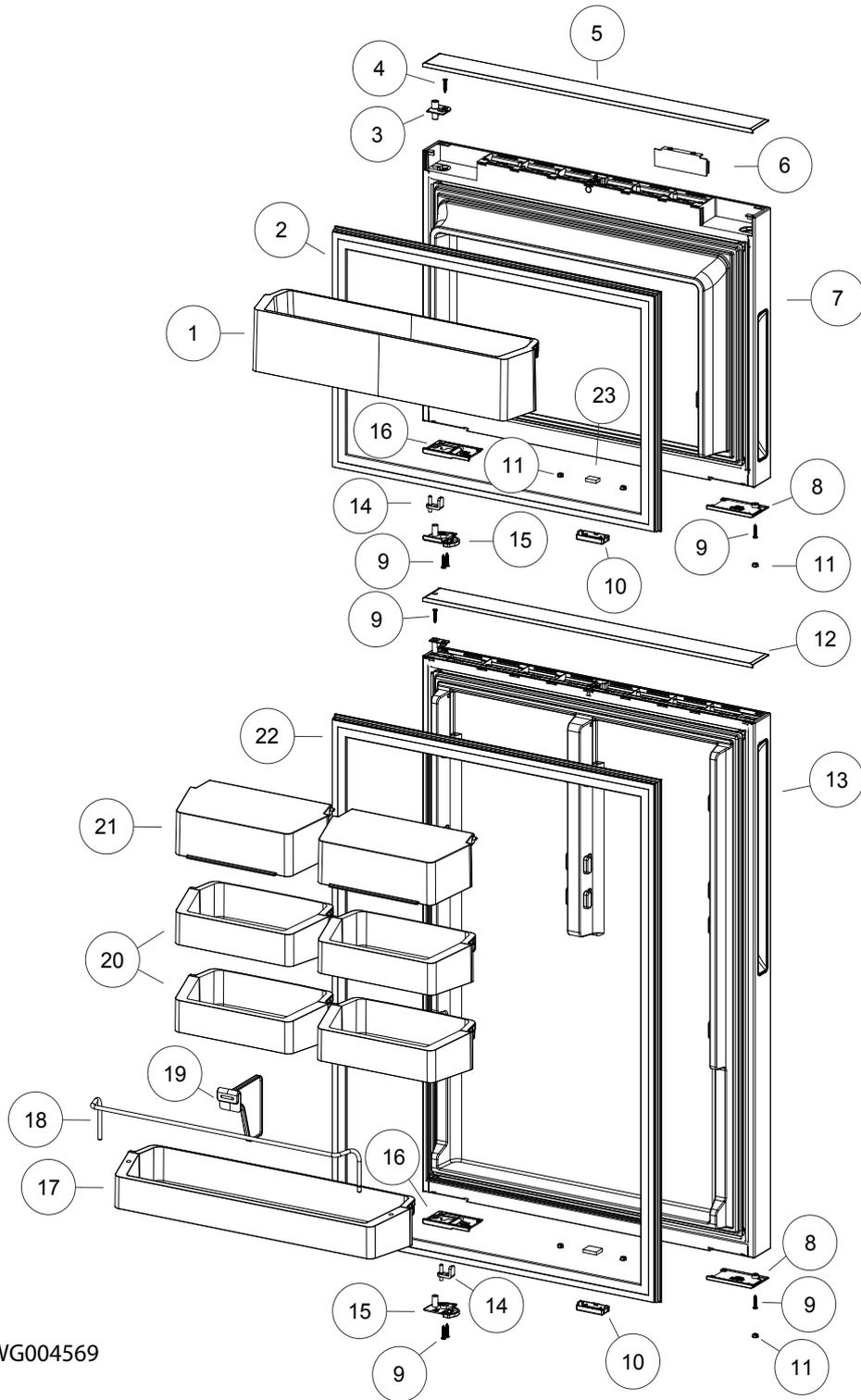
tel: 09 273 0600
fax: 09 273 0656
e-mail: nz.customercare@fisherpaykel.com

AU

Fisher & Paykel Customer Services Pty Ltd
PO Box 798, Cleveland, QLD 4163
A.C.N. 003 3335 171
19 Enterprise Street
Cleveland, QLD 4163
Australia

tel: 07 3826 9100
fax: 07 3826 9164
e-mail: aus.customercare@fisherpaykel.com

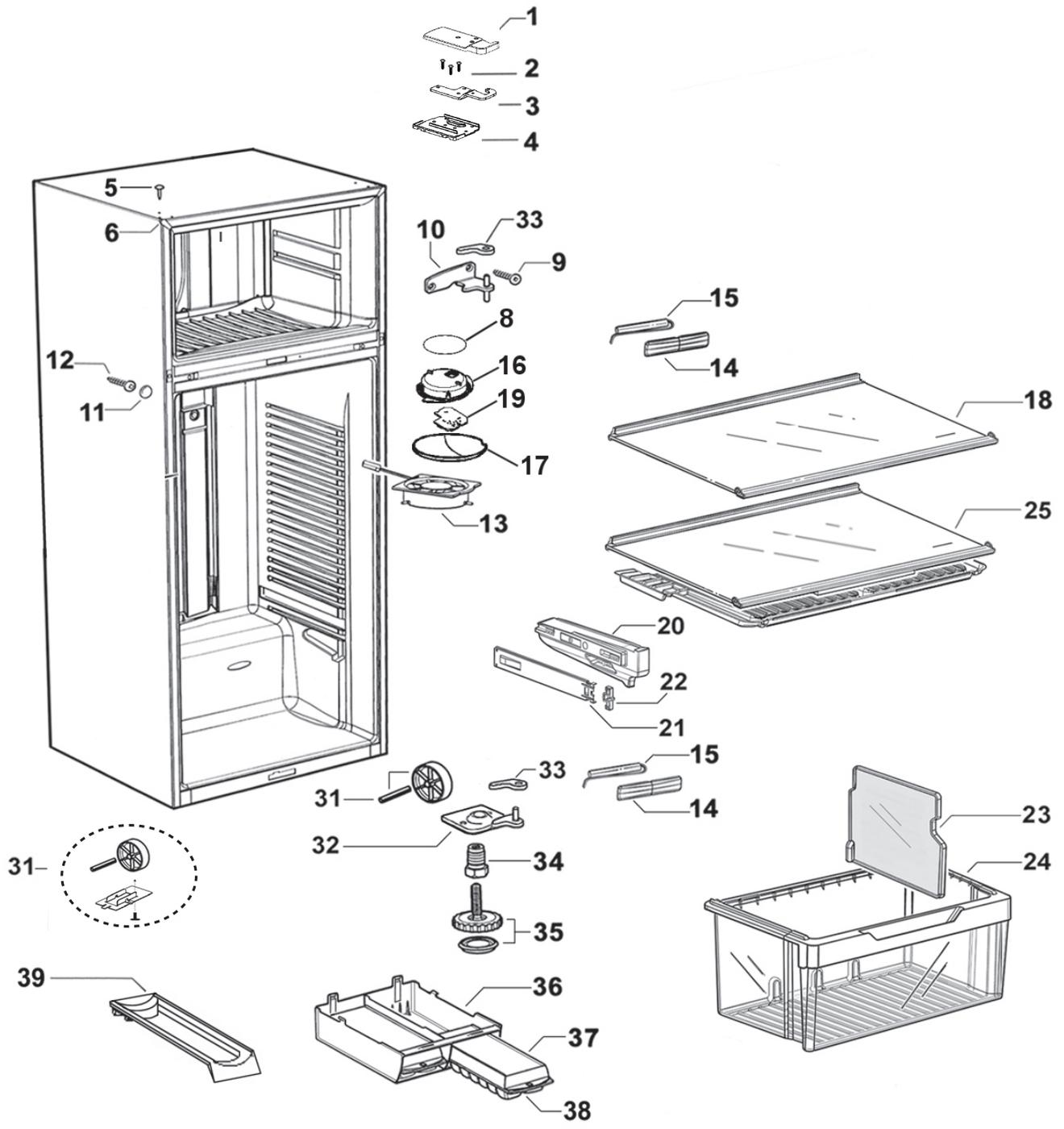
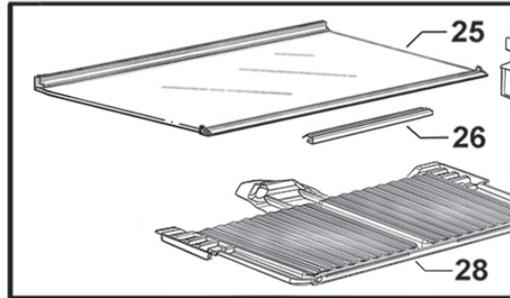
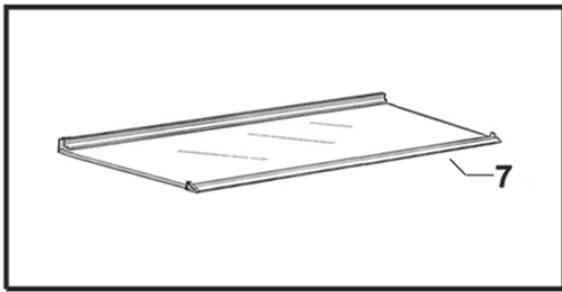
DOOR COMPONENTS



DOOR COMPONENTS

REFERENCE	PART NUMBER	PART DESCRIPTION
1	842833	SHELF DOOR 635T
2	841371P	GASKET FRAME PUSHIN 635T FC
3	841051	BEARING HINGE WATER LH UD
4	836948P	SCREW 6X1/2 SS PAN PH
5	843902	COVER DOOR TOP 635 GR
6	842103	COVER DOOR TOP NONHINGE GR
7	844234P	DOOR FC 635X465.5 P SX LH
	includes 842483	PLUG DOOR BOTTOM GR
	includes 883315	MAGNET DOOR SWITCH ST4
	includes 842122	COVER MAGNET DOOR UD GR
	includes 843398	DOOR FC 331T 635 UD ASSY
	includes 843902	COVER DOOR TOP 635 GR
8	842370P	COVER DOOR BOT NONHINGE LH GR
9	817825P	SCREW #8X22 WAFER PH ST TV
10	842122	COVER MAGNET DOOR UD GR
11	842483P	PLUG DOOR BOTTOM GR
12	844777	COVER DOOR TOP 635 GR LH
13	844237P	DOOR PC 635X1192 P SX RH
	includes 842483	PLUG DOOR BOTTOM GR
	includes 883315	MAGNET DOOR SWITCH ST4
	includes 842122	COVER MAGNET DOOR UD GR
	includes 844778	COVER DOOR TOP 635 GR RH
	includes 843902	COVER DOOR TOP 635 GR
14	814537	DOOR STOP ASSY
15	843389	CLOSING HOOK DR STOP LH GR NO FLG
16	842371	COVER DOOR BOT UD HINGE LH GR
17	839716	SHELF DOOR BOTTOM 635
18	839717	RAIL SHELF DOOR 635
19	821805	DIVIDER BOTTLE 522B
20	839722	SHELF DOOR SOLID 635
21	839718	COVER SHELF DAIRY 635
22	841366P	GASKET FRAME PUSHIN 411T PC
23	883315	MAGNET DOOR SWITCH ST4

CABINET COMPONENTS

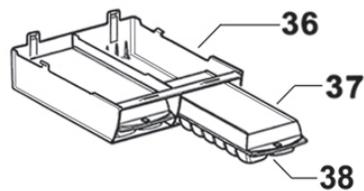
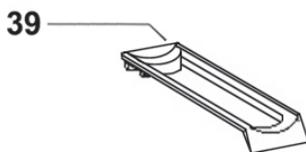
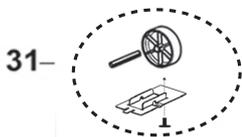
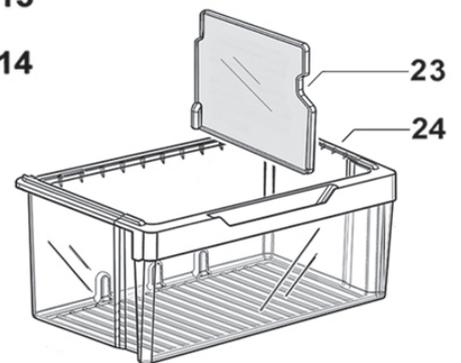
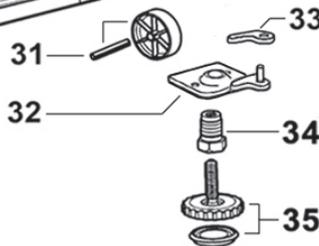
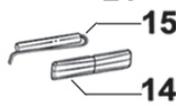
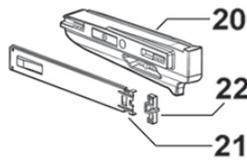
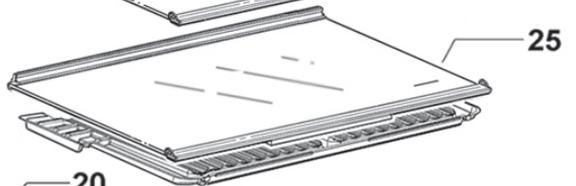
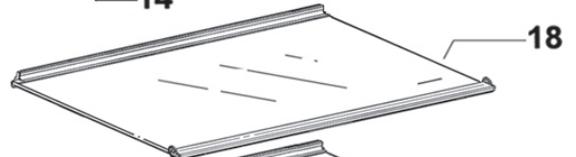
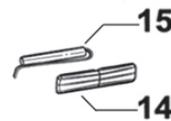
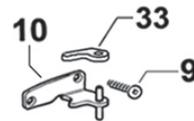
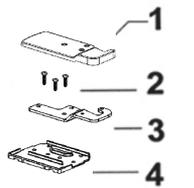
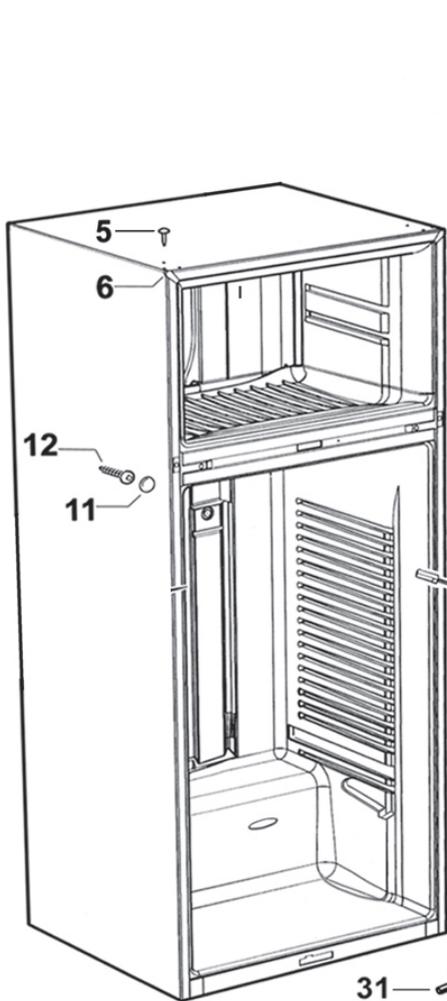
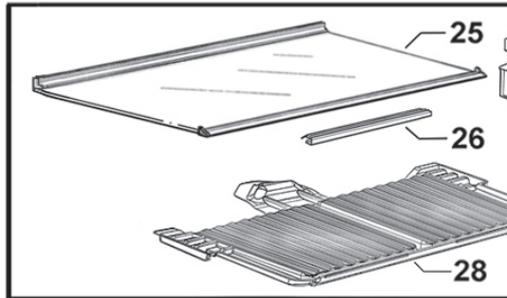
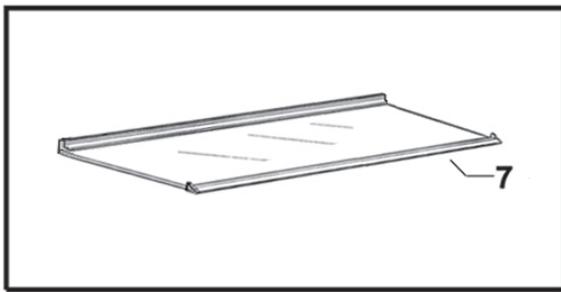


DWG004524

CABINET COMPONENTS

REFERENCE	PART NUMBER	PART DESCRIPTION
1	846779P	COVER HINGE LOW NIW GRY L
2	817818P	SCREW M5X20 HEX PH ST TV (PKT 10)
3	820863	BRACKET HINGE I&W LH
4	846774P	SUPPORT HINGE LOW NIW
NI	847438	KIT COVER HINGE LOW GRY LH
	Includes 846779P	COVER HINGE LOW NIW GRY L
	Includes 846774P	SUPPORT HINGE LOW NIW
5	883948P	PLUG TAPPED HOLE SILVER (PKT 3)
6	883947	TRIM CORNER SILVER
7	836752	SHELF GL FC 635T ASSY SC
	Includes	SHELF GLASS FC 635
	Includes	TRIM SHELF FC 635 SC
	Includes	STIFFENER SHELF FC 635 SC
	Includes 836567	PLUG TRIM SHELF RH (FRONT)
	Includes 836568	PLUG TRIM SHELF LH (FRONT)
	Includes 836569	PLUG STIFFENER SHELF RH (REAR)
	Includes 836570	PLUG STIFFENER SHELF LH (REAR)
8	873394	GASKET FOAM LIGHT
9	880656P	SCREW 10GX25CSK SQ SS (PKT 10)
10	881286P	BRACKET CTR HINGE LH (PKD)
	Includes 883989	CAP DOOR CLOSING LH HGE BRKT G
11	883953P	CAP SCREW CROSS RAIL SILVER
	880595P	CAP SCREW CROSS RAIL WHITE
12	817822P	SCREW #10X19 AB #2 SQ TV (PKT 10)
13	821183P	PC FAN ASSY JST/DCT
	Includes	FAN HOUSING PC ASSY
	Includes	DUCT JUNCTION
	Includes	CONNECTOR IDC UP2 (2)
	Includes	LABEL WARNING 12 VOLT DC
	Includes	SHEET INSTRUCTION PC FAN ASSY
14	884011	COVER REED SWITCH ST4 SILVER
	881420	COVER REED SWITCH ST4 WHITE
15	814443P	SWITCH REED FIELD FIX KIT ST4
	Includes	HEATSHRINK 1/8" MW ADHESIVE LINED
16	820733	HOUSING SINGLE LED
17	875318	COVER LAMP PC

CABINET COMPONENTS



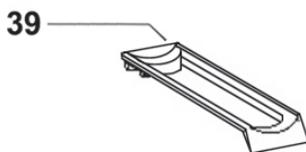
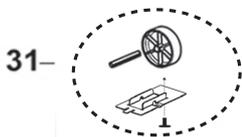
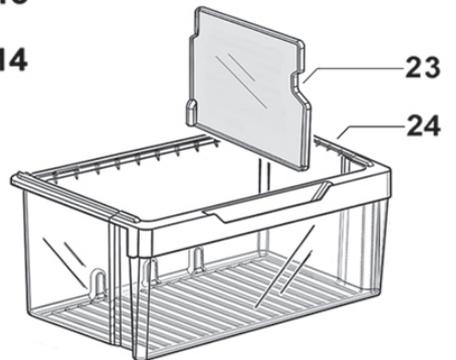
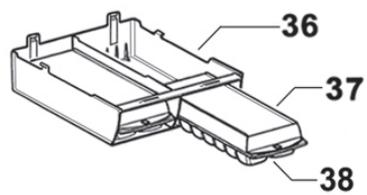
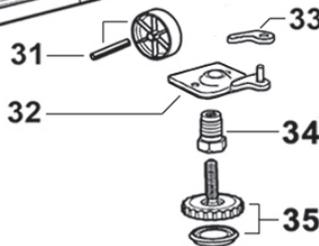
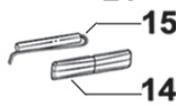
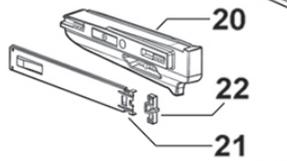
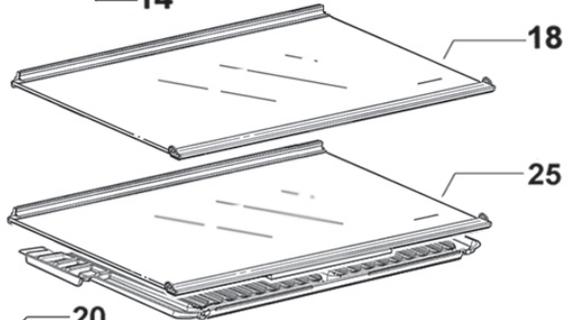
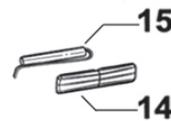
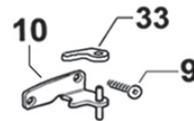
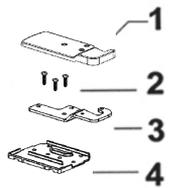
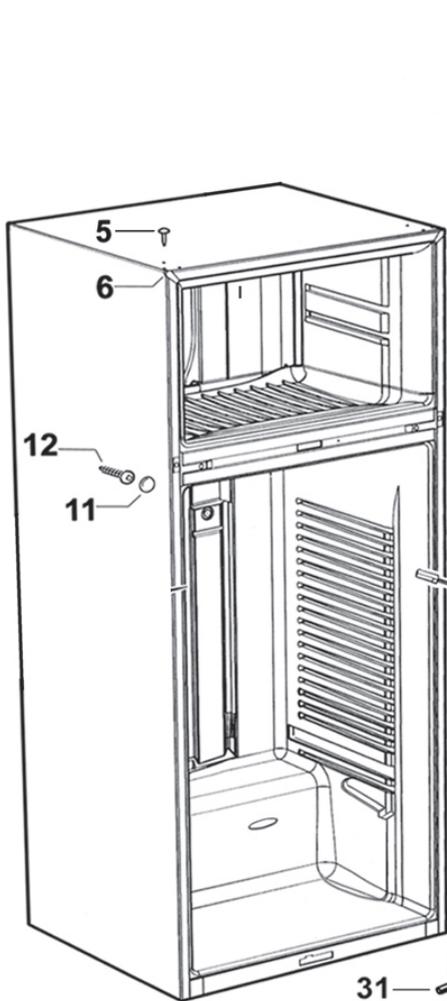
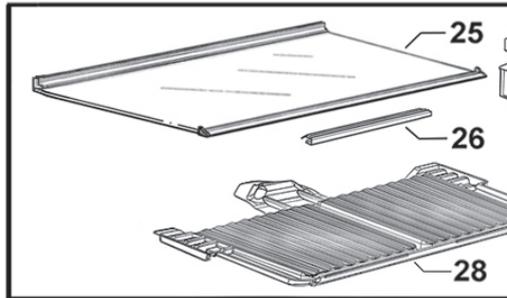
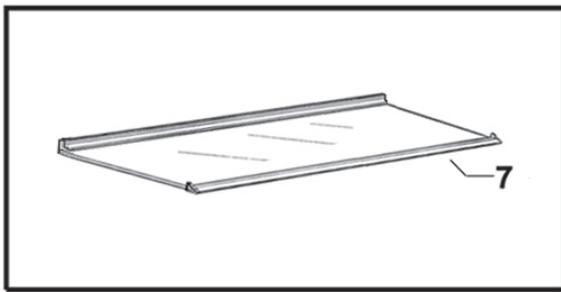
DWG004524

DWG 004524

CABINET COMPONENTS

REFERENCE	PART NUMBER	PART DESCRIPTION
18	821037	SHELF GL PC 635 ASSY SC
	Includes	SHELF GLASS PC 635
	Includes	TRIM SHELF PC 635 SC
	Includes	STIFFENER SHELF PLASTIC PC SC
	Includes 836567	PLUG TRIM SHELF RH (FRONT)
	Includes 836568	PLUG TRIM SHELF LH (FRONT)
19	845008P	MOD LAMP AS SMALL SVC
20	836620	RETAINER SLIDE PC T RH ASSY RC
	836621	RETAINER SLIDE PC T LH ASSY RC
21	836700	SLIDE 305 RH ASSEMBLY RC
	Includes 836520	CLIP SLIDE
	836701	SLIDE 305 LH ASSEMBLY RC
	Includes 836520	CLIP SLIDE
22	836520P	CLIP SLIDE (PKT 2)
23	836533	DIVIDER BIN LARGE
24	836659	BIN LARGE 635 ASSEMBLY
	Includes	HANDLE BIN LARGE
25	821039	SHELF GL HCL 635T ASSY SC
	Includes	SHELF GLASS HCL T 635
	Includes	TRIM SHELF HCL 635 SC
	Includes	STIFFENER SHELF PC 635 SC
	Includes 836567	PLUG TRIM SHELF RH (FRONT)
	Includes 836568	PLUG TRIM SHELF LH (FRONT)
26	836580	RETAINER HCL FRONT 635
28	836730	LID HUMIDITY CONTROL 635T
29	836631	SLIDE CONTROL HUMIDITY RH
	836633	SLIDE CONTROL HUMIDITY LH
30	836632	GUIDE CONTROL HUMIDITY RH
	836634	GUIDE CONTROL HUMIDITY LH
31	847316P	RETAINER WHEEL STEEL KIT
	Includes 818843	RETAINER WHEEL STEEL
	Includes	SCREW 8-32X8 TY T PAN PH TV
	Includes 880545	ROLLER FOOT FRONT
	Includes 871017	PIN ROLLER PLATED
32	818612P	BRACKET HINGE BASE LH (PKD)
	Includes 883989	CAP DOOR CLOSING LH HGE BRKT G
33	883989P	CAP DOOR CLOSING LH HGE BRKT G

CABINET COMPONENTS

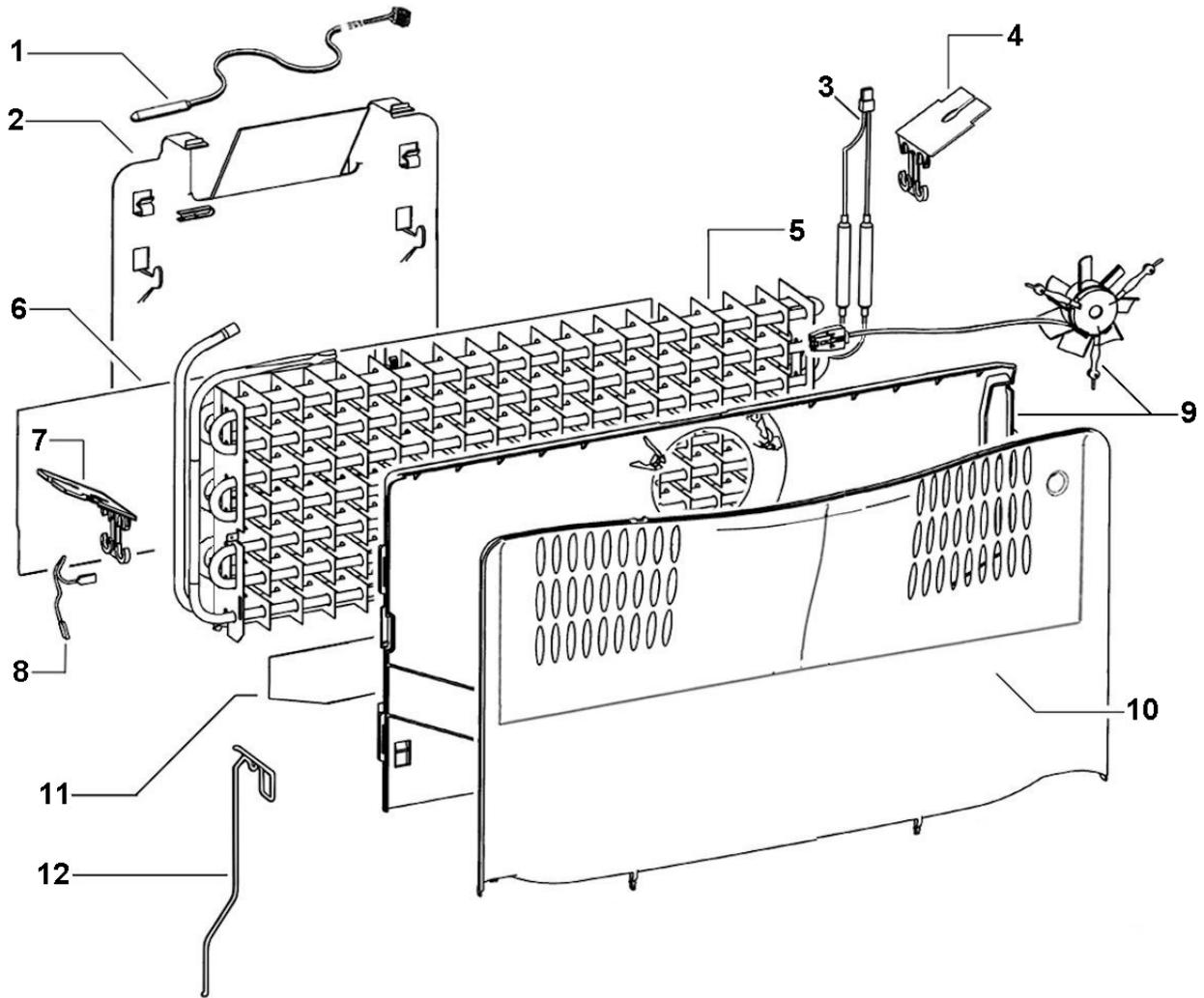


DWG004524

CABINET COMPONENTS

REFERENCE	PART NUMBER	PART DESCRIPTION
34	813481	BOLT BLIND END HINGE BRACKET
35	818535	FOOT LEVELLING ASSEMBLY RC
	Includes	WHEEL LEVELLING FOOT ASSY
	Includes	BASE LEVELLING FOOT
36	836596	TRAY ICE HOLDER
37	874108	TRAY ICE LID
38	874107	TRAY ICE BASE
39	860593	BOTTLE HOLDER SINGLE
JOINER KIT FOR SIDE BY SIDE CABINET CONNECTION		
USED FOR COMBINING ANY OF THE THE FOLLOWING 1695MM HIGH CABINET MODELS: N388 ,C450, E402B, E411T, E415H, E440T, E442B, E521T AND E522B		
NI	819264	KIT JOINER SILVER

FAN, COVERS AND EVAPORATOR COMPONENTS



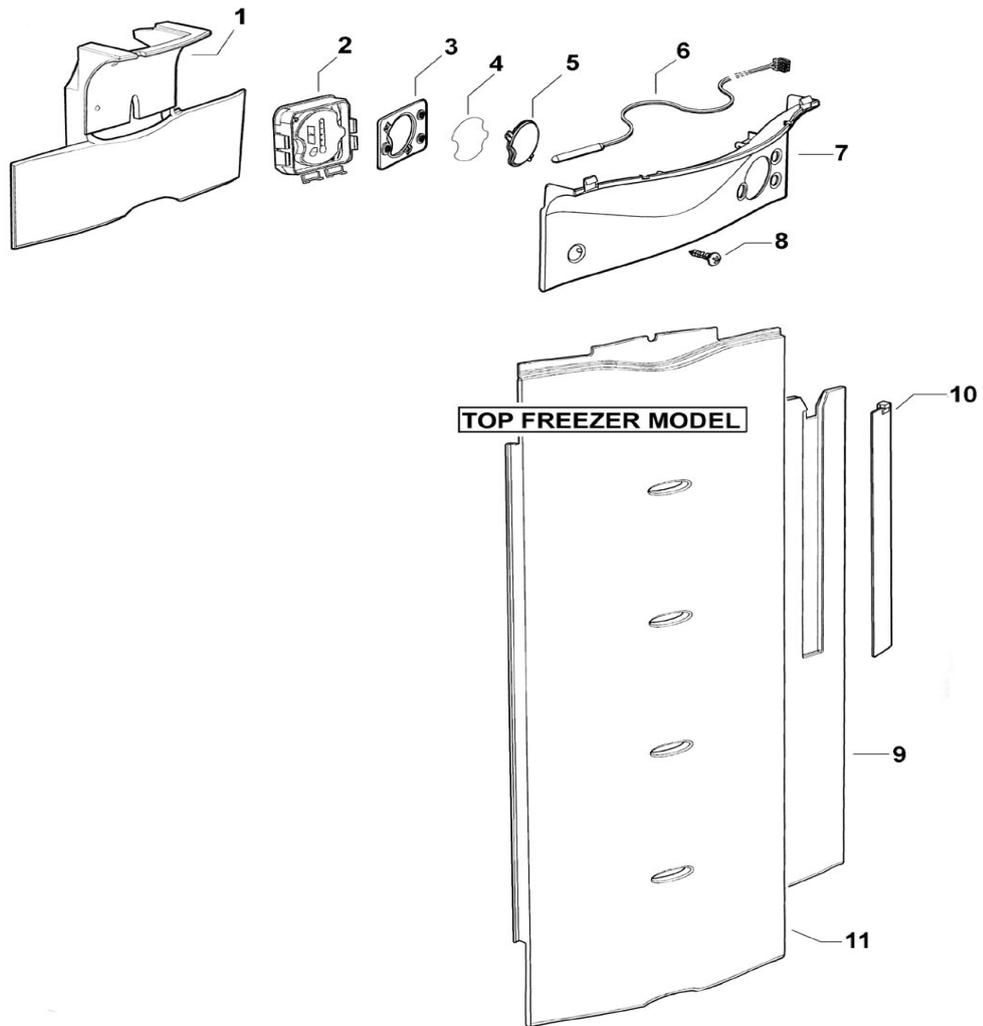
DWG003275 FEBRUARY 2014

DWG 003275

FAN, COVERS AND EVAPORATOR COMPONENTS

REFERENCE	PART NUMBER	PART DESCRIPTION
1	855203P	SENSOR KIT ASSY ACTV SM
	Includes	HEATSHRINK 25MM
	Includes	HARNESS SENSOR PC
	Includes	CONNECTOR BUTT (2)
	Includes	SHEET INSTRUCTN BUTT CONNECTORS
2	813991	CHASSIS EVAP T
3	821875P	HEATER DEFROST DBLE 230V 635
4	820604	CLIP EVAP BAFFLE
5	837333P	EVAP ASSY 635T 230V DP
	Includes	EVAPORATOR FINNED 635 R600A
	Includes 821875P	HEATER DEFROST DBLE 230V 635
	Includes 813992	CLIP ACTIVE SMART BAFFLE
	Includes 820604	CLIP EVAP BAFFLE
	Includes 813991	CHASSIS EVAP T
	Includes 814698	SHIELD EVAP 635T CHASSIS
	Includes 814460	HARNESS EARTH 100MM
6	814698	SHIELD EVAP 635T CHASSIS
7	813992	CLIP ACTIVE SMART BAFFLE
8	814460	HARNESS EARTH 100MM
9	306094P	FAN FC KIT 635 SERIES A TO D
	Includes	COVER FC REAR 635
	Includes 880409	COVER HEAT SHIELD ALUM 635 P42
	Includes	FAN SUSPENDED FC ASSY
	Includes	LABEL WARNING 12 VOLT DC
	Includes	CONNECTOR IDC UP2 (2)
10	873399	COVER FAN FC FRONT E625 T MODEL
11	880409P	COVER HEAT SHIELD ALUM 635 P42
12	821179	WIRE DRAIN HEATER DOUBLE T

ELECTRONIC MODULE AND DUCT COVERS



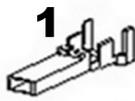
DWG000023 - FEBRUARY 2010

DWG 000023

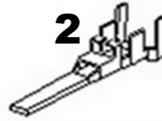
ELECTRONIC MODULE AND DUCT COVERS

REFERENCE	PART NUMBER	PART DESCRIPTION
1	880759	INSULATN COVR DUCT TOP T&H MODL
2	814321P	DISPLAY P42 ST4 SVC ROHS
3	880779	GASKET DISPLAY MODULE
4	883448	INSERT GRAPHICS DISPLAY
5	883449	LENS CLEAR-DISPLAY MODULE
6	855203P	SENSOR KIT ASSY ACTV SM
	Includes	HEATSHRINK 25MM
	Includes	HARNESS SENSOR PC
	Includes	CONNECTOR BUTT (2)
	Includes	SHEET INSTRUCTN BUTT CONNECTORS
7	836765	COVER DUCT TOP PC T
8	817817P	SCREW 8X12 SP PAN NIB ST TV (PKT 10)
9	881012	INSULATION COVER DUCT LONG T
10	814917	HEATER PCB LOW AMB T MOD RC
11	813534	COVER DUCT T MODEL LONG

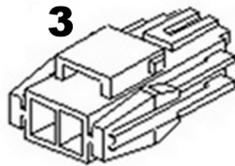
TERMINAL, PLUGS & SOCKETS



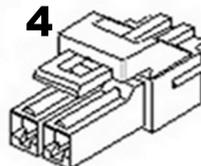
1
JST SOCKET TERMINAL



2
JST PIN TERMINAL



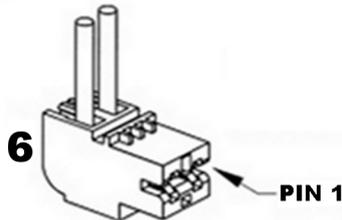
3
JST SOCKET



4
JST PLUG

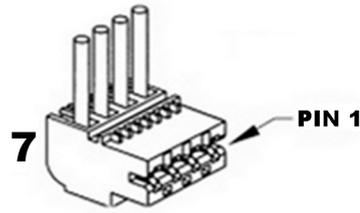


5
JST RETAINER



6
RAST CONNECTOR

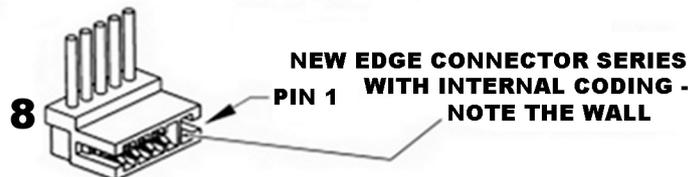
PIN 1



7
RAST CONNECTOR

PIN 1

NOTE THAT IN THE PART NAMES OF THESE CONNECTORS, THE -02- REFERS TO IT BEING A 2 WAY CONNECTOR, AND THE -AB01-(FOR EXAMPLE) REFERS TO THE CODING OF THE CONNECTOR.

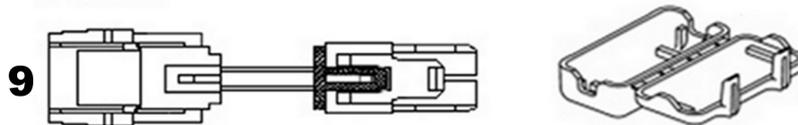


8
RAST CONNECTOR

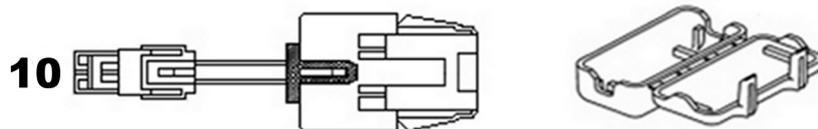
NEW EDGE CONNECTOR SERIES WITH INTERNAL CODING - NOTE THE WALL

PIN 1

NOTE: TO MINIMISE THE NUMBER OF SPARE PARTS THAT NEED TO BE CARRIED, THESE CODED CONNECTORS ARE TO BE REPLACED WITH THEIR UNCODED EQUIVALENTS FOR THE 3, 5 AND 6 WAY CONNECTORS USED ON STAGE 4 CABINETS.



9
HARNESS ADAPTOR - JST REC TO MOLEX PLUG



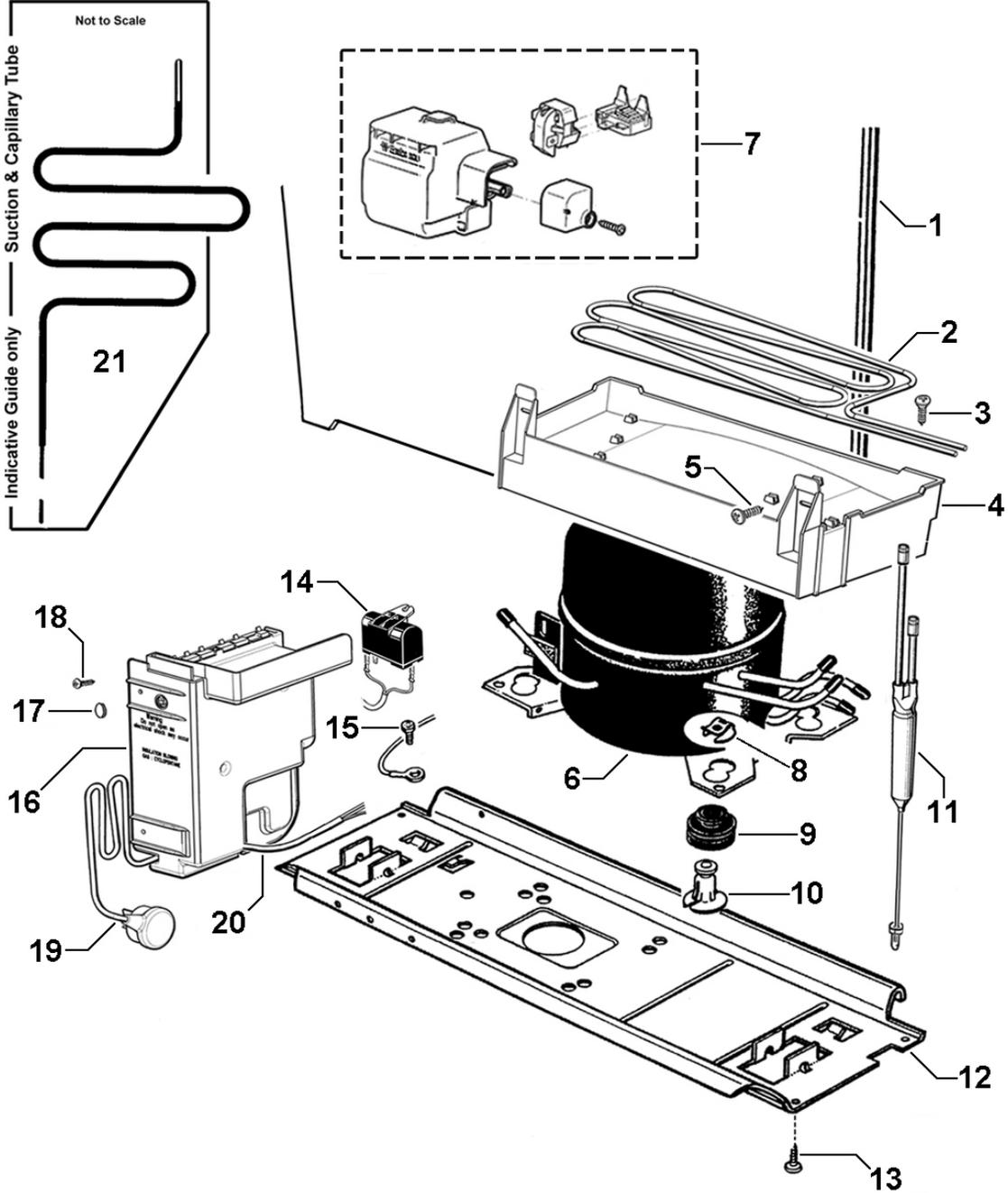
10
HARNESS ADAPTOR - JST PLUG TO MOLEX REC

TERMINAL, PLUGS & SOCKETS

REFERENCE	PART NUMBER	PART DESCRIPTION	COMMENTS
1	819607P	TERMINAL SYF-01T PKT 10	26/20 AWG
	819608P	TERMINAL SYF-41T PKT 10	20/16 AWG
2	819609P	PIN/TERM SYM-01T PKT 10	26/20 AWG
	819610P	PIN/TERM SYM-41T PKT 10	20/16 AWG
3	819615	JST SOCKET 2PIN YLR-02V	
	819616	JST SOCKET 3PIN YLR-03V	
	819617	JST SOCKET 4PIN YLR-04V	
	819618	JST SOCKET 6PIN YLR-06VF	
	819619	JST SOCKET 8 PIN YLR-08V	
4	819611	JST PLUG 2PIN YLP-02V	
	819612	JST PLUG 4PIN YLP-04V	
	819613	JST PLUG 6PIN YLP-06V	
	819614	JST PLUG 8PIN YLP-08V	
5	819620	RETAINER 2 WAY YLS-02V	
	819621	RETAINER 3 WAY YLS-03V	
6	881588	CONNECTOR RAST 9290-02-AB01	MAINS CORD
	881589	CONNECTOR RAST 9290-02-BA01	DEFROST HEATER
	881590	CONNECTOR RAST 9290-02-EE01	RUN CAPACITOR
7	881591	CONNECTOR RAST 9290-04-EF02	COMPRESSOR CABLE
8	873251	CONNECTOR RAST 7234-003-500	
	873250	CONNECTOR RAST 7234-004-500	
	881135	CONNECTOR RAST 7234-005-500	
	873247	CONNECTOR RAST 7234-006-500	
	873279	CONNECTOR RAST 7234-008-500	
	873248	CONNECTOR RAST 7234-010-500	
	873243	CONNECTOR RAST 7234-012-500	
	881136	CONNECTOR RAST 7234-014-500	
	881137	CONNECTOR RAST 7234-017-502	
9	820687P	ADAPTOR JST REC TO MOLEX KIT	
	Includes 884412	COVER PLUG MOLEX	
10	820688P	ADAPTOR JST PLUG TO MOLEX KIT	
	Includes 884412	COVER PLUG MOLEX	

NOTE: THE NUMBERS IN THE DESCRIPTION OF THE RAST CONNECTOR DENOTES THE NUMBER OF CONNECTIONS - EXAMPLE: 7234-017-502 =17 WAY CONNECTOR

COMPRESSOR, ANCILLARY COMPONENTS & CONTROL MODULE



DWG002763 JUNE 2012

DWG 002763

COMPRESSOR, ANCILLARY COMPONENTS & CONTROL MODULE

REFERENCE	PART NUMBER	PART DESCRIPTION
1	874881	PANEL BACK & CONDENSER ASSY
2	814684	TUBE EVAP TRAY FORMED H/SHK 68
3	815236P	SCREW 12X1/2 TAB CSK PH (PKT 10)
4	820734	TRAY EVAP AS
5	817817P	SCREW 8X16 SP PAN NIB TV (PKT 10)
6	207377P	COMPR JIAX TB1113YL SPARE KIT
	includes	COMPR JIAX TB1113YL 230V
	includes	COMPR ANCILL PARTS TB1113YL
	includes	COVER AND CLAMP JIAXIPERA
	includes	COMBO RELAY-OVERLOAD TB1113YL
	includes 845338	HARNESS COMP 4 CORE SHORT
	includes 845323	CAP 3 UF 450V RAST 5 P2
	includes 845757	GROMMET COMPR MTG 26MM
	includes 841291	POST MT 26MM
	includes 855270	CLIP FOOT COMPRESSOR
	includes 814843	FILTER PREBRAZED LONG T
7	207378P	COMPR ANCILL PARTS TB1113YL
	includes	O/LOAD TB1113YL
	includes	RELAY JIAX TB1113YL
	includes	COVER PROTECTOR TB1113YL
8	855270P	CLIP FOOT COMPRESSOR (PKT 4)
9	843824P	GROMMET 26MMM KIT
10	841291P	POST COMP MTG 26MM PKT X4
11	814843P	FILTER DRIER LONG TAIL XH9 12 GRM
12	814903	TRAY COMP MOUNTING 635
13	817829P	SCREW 8X16 SP PAN NIB TV (PKT 10)
14	814809P	CAPACITOR 4UF 450V RAST5 P2 PKD
15	817828P	SCREW 8-32X8 TY T PAN PH TV (PKT 10)
16	838196P	MOD CNTRL GLTH MT ROHS 220V SV
17	884505	COVER COMMS PORT
18	817829P	SCREW 8X16 SP PAN NIB TV (PKT 10)
19	884336	CORD SET SUPPLY 220-240V ST4.1
20	845338	HARNESS COMP 4 CORE SHORT
21	821259	TUBE SUCTCAP ASSY 5/16 2LOOP

www.fisherpaykel.com

Copyright © Fisher & Paykel Appliances Ltd 2017. All rights reserved.
The product specifications in this manual apply to the specific model described at the date of issue. Under our policy of continuous product improvement, these specifications may change at any time. Only use this manual if the product code on the front matches the product code on the serial label of the product.

AA

PRODUCT CODE: 24757-C 11.17