

# **PARTS MANUAL**

**Refrigerator Freezer**

RF411TRPX6 FP AA

Product Code  
**24756-C**

AA

***Fisher & Paykel***

# CONTENTS

---

INTRODUCTION	2
DOOR COMPONENTS	3
CABINET COMPONENTS	5
FAN, COVERS AND EVAPORATOR COMPONENTS	9
ELECTRONIC MODULE AND DUCT COVERS	11
TERMINAL, PLUGS & SOCKETS	13
COMPRESSOR, ANCILLARY COMPONENTS & CONTROL MODULE	15

# INTRODUCTION

---

<b>BRAND</b>	<b>VOLTAGE</b>	<b>MODEL</b>	<b>PRODUCT CODE</b>
Fisher & Paykel	230-240 50Hz	RF411TRPX6 FP AA	24756-C

---

## MODELS

The models covered by this manual are listed on the front cover. The information detailed in this manual is subject to change without notice. The latest version is indicated by the reprint date and replaces any earlier editions.

## KIT PARTS

Where a part number is shown against the descriptions for these kit components, they are also available as separate items. In addition, some parts may be supplied with these kits that are not available as separate items, and are therefore either not listed, or a part number is not shown against the part description in this manual.

## PARTS LIST KEY

<b>NI</b>	As a part reference, indicates the part is not illustrated on the diagram.
<b>NOT USED</b>	As a part number, indicates the diagram part reference is not used in this manual.
<b>NS</b>	As a part number, indicates the part is not servicable.

---

## NZ

Fisher & Paykel Appliances Ltd  
78 Springs Road, East Tamaki  
Manukau 2013  
PO Box 58-546 Botany  
Manukau 2163  
New Zealand

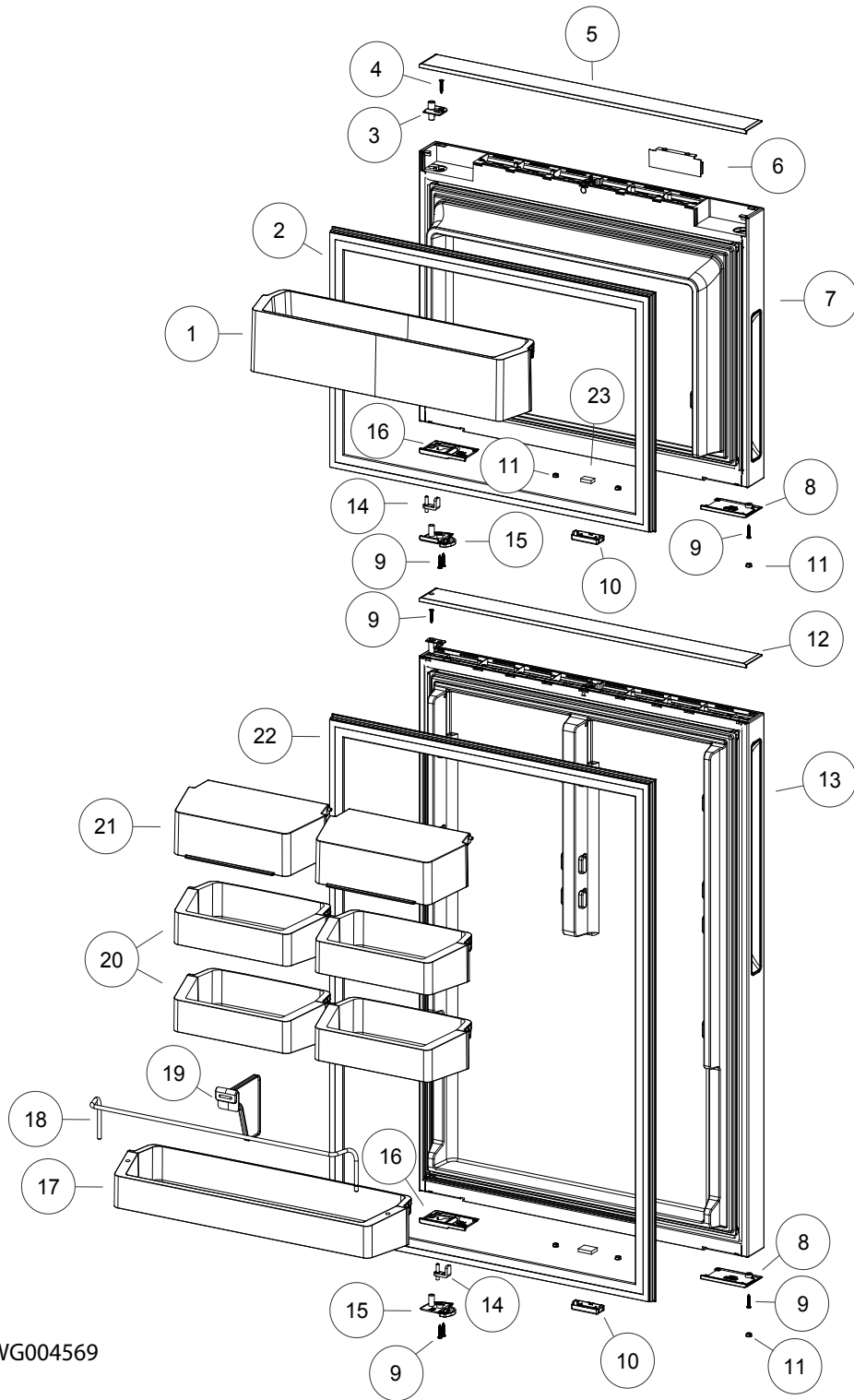
tel: 09 273 0600  
fax: 09 273 0656  
e-mail: nz.customercare@fisherpaykel.com

## AU

Fisher & Paykel Customer Services Pty Ltd  
PO Box 798, Cleveland, QLD 4163  
A.C.N. 003 3335 171  
19 Enterprise Street  
Cleveland, QLD 4163  
Australia

tel: 07 3826 9100  
fax: 07 3826 9164  
e-mail: aus.customercare@fisherpaykel.com

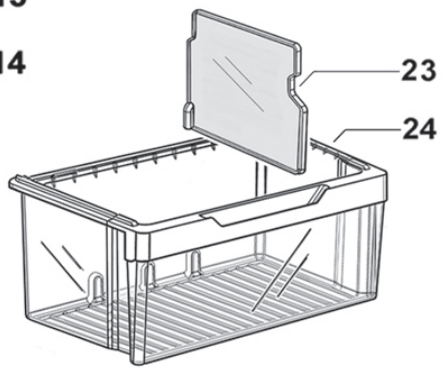
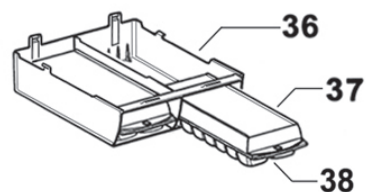
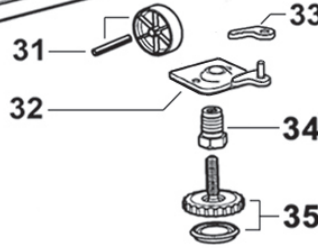
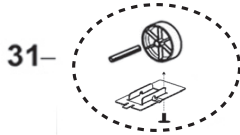
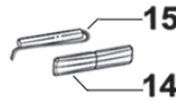
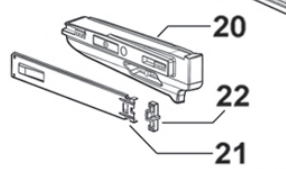
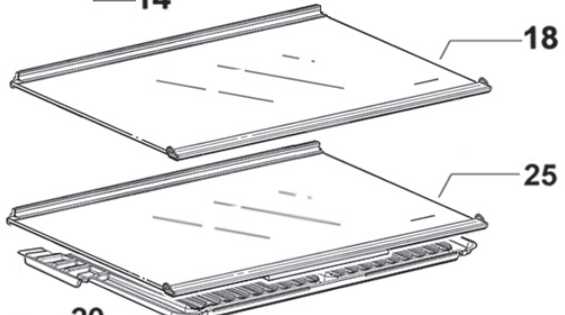
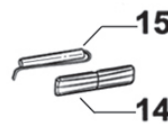
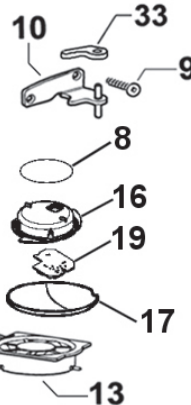
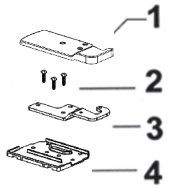
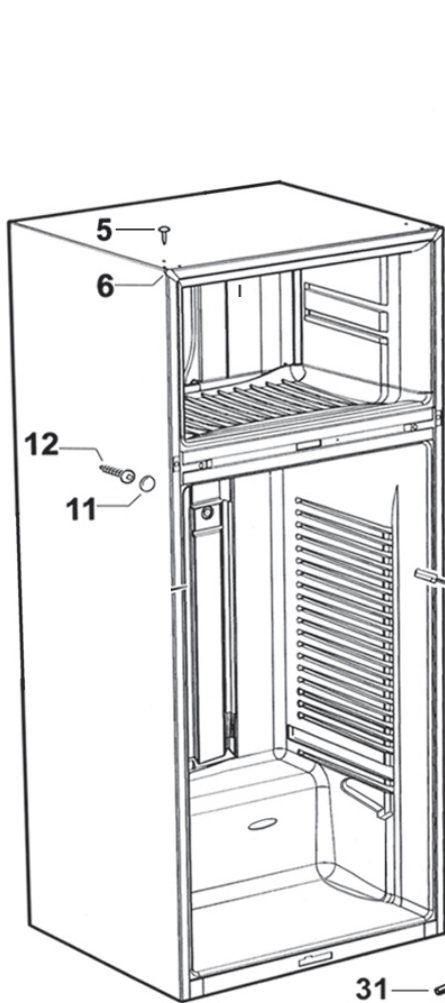
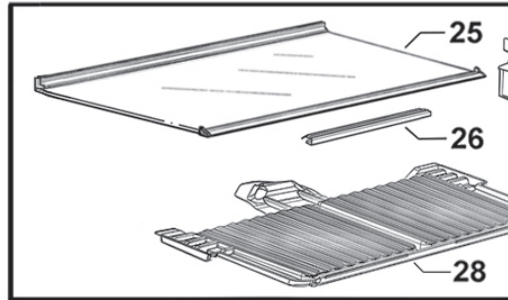
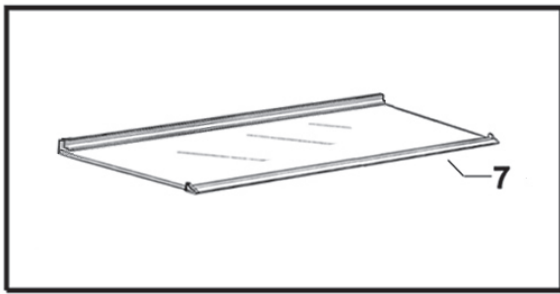
# DOOR COMPONENTS



## DOOR COMPONENTS

REFERENCE	PART NUMBER	PART DESCRIPTION
1	842833	SHELF DOOR 635T
2	841371P	GASKET FRAME PUSHIN 635T FC
3	839659	BEARING HINGE WATER RH UD
4	836948P	SCREW 6X1/2 SS PAN PH
5	843902	COVER DOOR TOP 635 GR
6	842103	COVER DOOR TOP NONHINGE GR
7	844235P	DOOR FC 635X465.5 P X R
	includes 842483	PLUG DOOR BOTTOM GR
	includes 883315	MAGNET DOOR SWITCH ST4
	includes 842122	COVER MAGNET DOOR UD GR
	includes 843902	COVER DOOR TOP 635 GR
8	842369P	COVER DOOR BOT NONHINGE RH GR
9	817825P	SCREW #8X22 WAFER PH ST TV
10	842122	COVER MAGNET DOOR UD GR
11	842483P	PLUG DOOR BOTTOM GR
12	844778	COVER DOOR TOP 635 GR RH
13	844237P	DOOR PC 635X1192 P SX RH
	includes 842483	PLUG DOOR BOTTOM GR
	includes 883315	MAGNET DOOR SWITCH ST4
	includes 842122	COVER MAGNET DOOR UD GR
	includes 844778	COVER DOOR TOP 635 GR RH
	includes 843902	COVER DOOR TOP 635 GR
14	814537	DOOR STOP ASSY
15	843387	CLOSING HOOK DR STOP RH GR NO FLG
16	842372	COVER DR BOT UD HINGE RH GR
17	839716	SHELF DOOR BOTTOM 635
18	839717	RAIL SHELF DOOR 635
19	821805	DIVIDER BOTTLE 522B
20	839722	SHELF DOOR SOLID 635
21	839718	COVER SHELF DAIRY 635
22	841366P	GASKET FRAME PUSHIN 411T PC
23	883315	MAGNET DOOR SWITCH ST4

# CABINET COMPONENTS

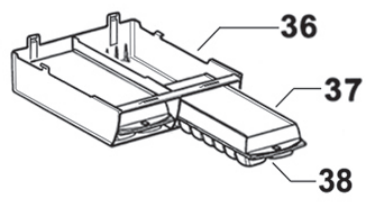
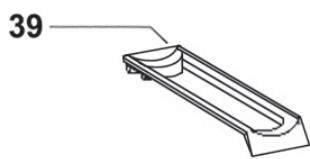
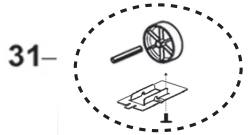
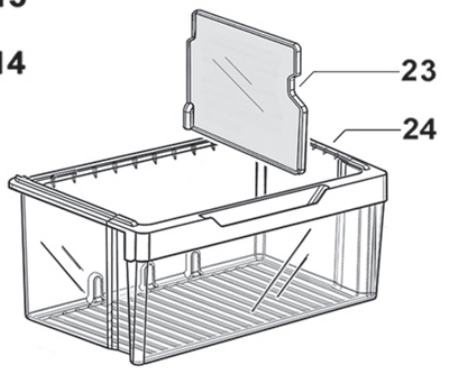
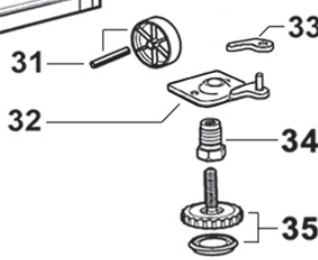
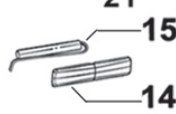
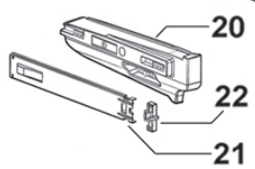
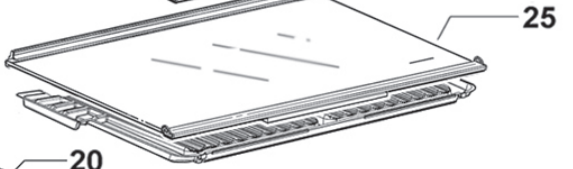
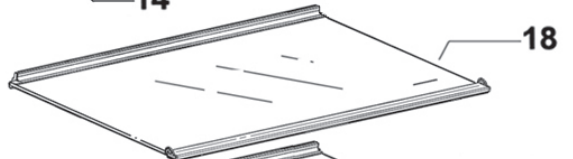
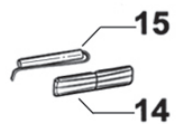
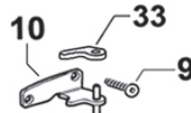
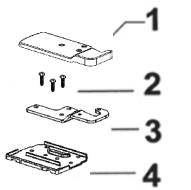
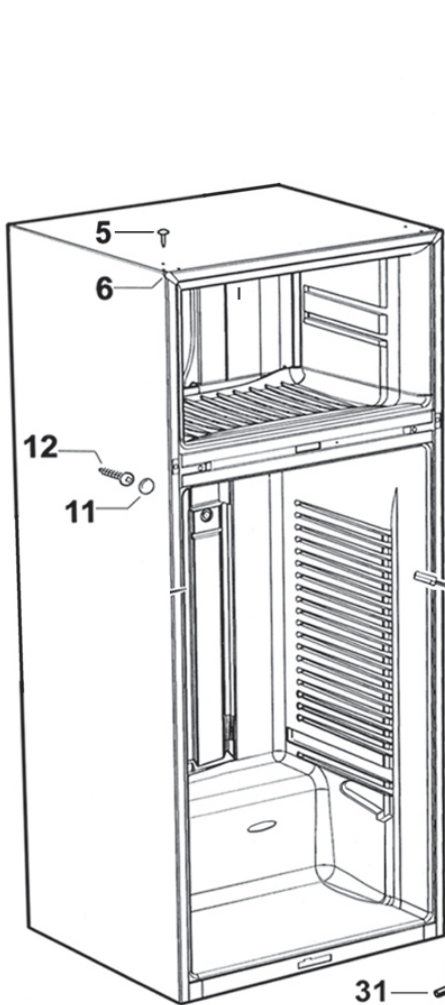
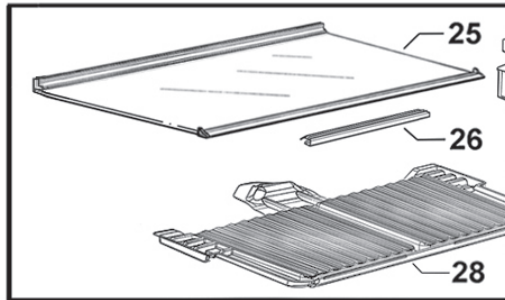
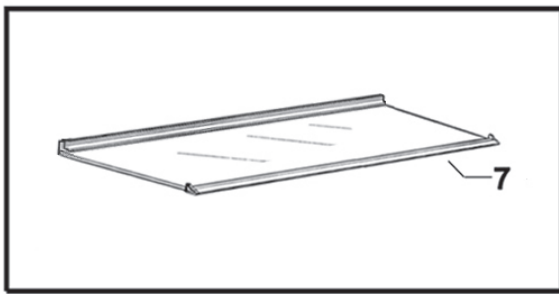


DWG004524

## CABINET COMPONENTS

REFERENCE	PART NUMBER	PART DESCRIPTION
<b>1</b>	<b>846778P</b>	<b>COVER HINGE LOW NIW GRY R</b>
<b>2</b>	<b>817818P</b>	<b>SCREW M5X20 HEX PH ST TV (PKT 10)</b>
<b>3</b>	<b>820717</b>	<b>BRACKET HINGE IW RH</b>
<b>4</b>	<b>846774P</b>	<b>SUPPORT HINGE LOW NIW</b>
<b>NI</b>	<b>847437</b>	<b>KIT COVER HINGE LOW GRY RH</b>
	Includes 846778P	COVER HINGE LOW NIW GRY R
	Includes 846774P	SUPPORT HINGE LOW NIW
<b>5</b>	<b>883948P</b>	<b>PLUG TAPPED HOLE SILVER (PKT 3)</b>
<b>6</b>	<b>883947</b>	<b>TRIM CORNER SILVER</b>
<b>7</b>	<b>836752</b>	<b>SHELF GL FC 635T ASSY SC</b>
	Includes	SHELF GLASS FC 635
	Includes	TRIM SHELF FC 635 SC
	Includes	STIFFENER SHELF FC 635 SC
	Includes 836567	PLUG TRIM SHELF RH (FRONT)
	Includes 836568	PLUG TRIM SHELF LH (FRONT)
	Includes 836569	PLUG STIFFENER SHELF RH (REAR)
	Includes 836570	PLUG STIFFENER SHELF LH (REAR)
<b>8</b>	<b>873394</b>	<b>GASKET FOAM LIGHT</b>
<b>9</b>	<b>880656P</b>	<b>SCREW 10GX25CSK SQ SS (PKT 10)</b>
<b>10</b>	<b>881283P</b>	<b>BRACKET CTR HINGE RH (PKD)</b>
	Includes 881283	BRACKET CTR HINGE RH PLATED
<b>11</b>	<b>883953P</b>	<b>CAP SCREW CROSS RAIL SILVER</b>
	<b>880595P</b>	<b>CAP SCREW CROSS RAIL WHITE</b>
<b>12</b>	<b>817822P</b>	<b>SCREW #10X19 AB #2 SQ TV (PKT 10)</b>
<b>13</b>	<b>821183P</b>	<b>PC FAN ASSY JST/DCT</b>
	Includes	FAN HOUSING PC ASSY
	Includes	DUCT JUNCTION
	Includes	CONNECTOR IDC UP2 (2)
	Includes	LABEL WARNING 12 VOLT DC
	Includes	SHEET INSTRUCTION PC FAN ASSY
<b>14</b>	<b>884011</b>	<b>COVER REED SWITCH ST4 SILVER</b>
	<b>881420</b>	<b>COVER REED SWITCH ST4 WHITE</b>
<b>15</b>	<b>814443P</b>	<b>SWITCH REED FIELD FIX KIT ST4</b>
	Includes	HEATSHRINK 1/8" MW ADHESIVE LINED
<b>16</b>	<b>820733</b>	<b>HOUSING SINGLE LED</b>
<b>17</b>	<b>875318</b>	<b>COVER LAMP PC</b>

# CABINET COMPONENTS



DWG004524

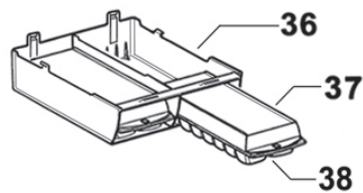
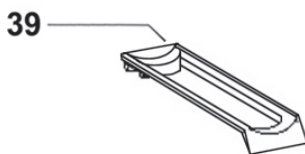
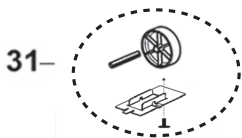
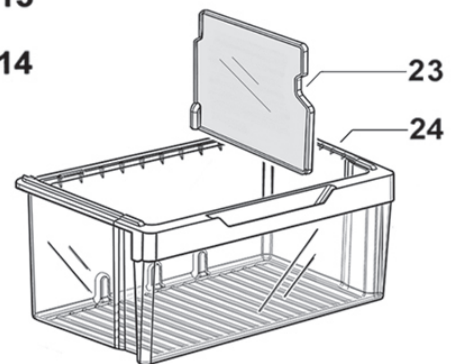
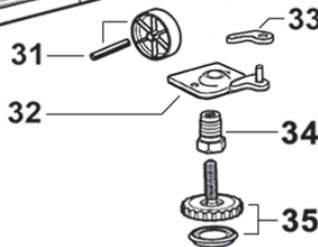
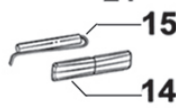
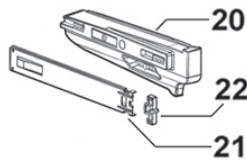
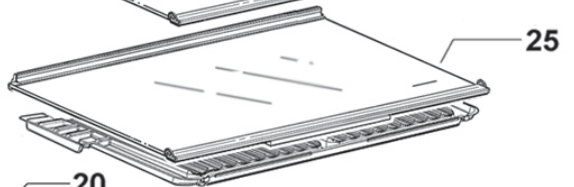
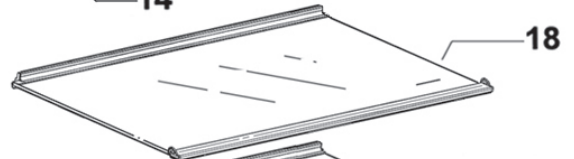
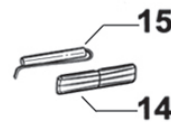
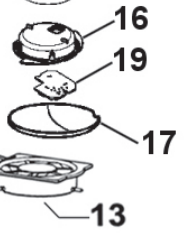
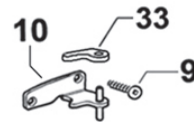
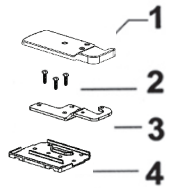
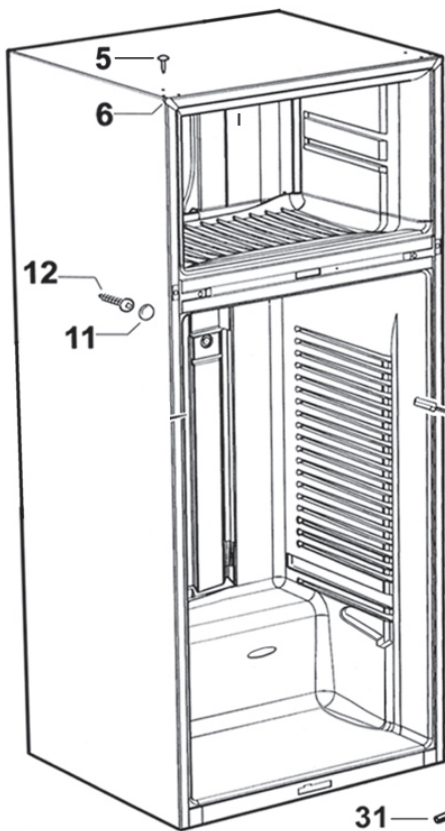
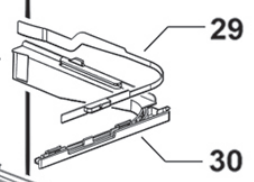
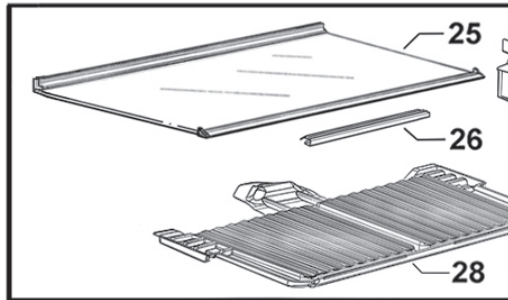
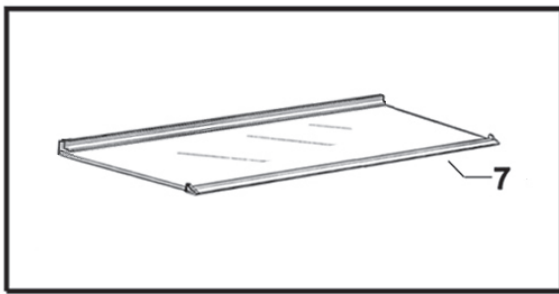
DWG 004524



## CABINET COMPONENTS

REFERENCE	PART NUMBER	PART DESCRIPTION
<b>18</b>	<b>821037</b>	<b>SHELF GL PC 635 ASSY SC</b>
	Includes	SHELF GLASS PC 635
	Includes	TRIM SHELF PC 635 SC
	Includes	STIFFENER SHELF PLASTIC PC SC
	Includes 836567	PLUG TRIM SHELF RH (FRONT)
	Includes 836568	PLUG TRIM SHELF LH (FRONT)
<b>19</b>	<b>845008P</b>	<b>MOD LAMP AS SMALL SVC</b>
<b>20</b>	<b>836620</b>	<b>RETAINER SLIDE PC T RH ASSY RC</b>
	<b>836621</b>	<b>RETAINER SLIDE PC T LH ASSY RC</b>
<b>21</b>	<b>836700</b>	<b>SLIDE 305 RH ASSEMBLY RC</b>
	Includes 836520	CLIP SLIDE
	<b>836701</b>	<b>SLIDE 305 LH ASSEMBLY RC</b>
	Includes 836520	CLIP SLIDE
<b>22</b>	<b>836520P</b>	<b>CLIP SLIDE (PKT 2 )</b>
<b>23</b>	<b>836533</b>	<b>DIVIDER BIN LARGE</b>
<b>24</b>	<b>836659</b>	<b>BIN LARGE 635 ASSEMBLY</b>
	Includes	HANDLE BIN LARGE
<b>25</b>	<b>821039</b>	<b>SHELF GL HCL 635T ASSY SC</b>
	Includes	SHELF GLASS HCL T 635
	Includes	TRIM SHELF HCL 635 SC
	Includes	STIFFENER SHELF PC 635 SC
	Includes 836567	PLUG TRIM SHELF RH (FRONT)
	Includes 836568	PLUG TRIM SHELF LH (FRONT)
<b>26</b>	<b>836580</b>	<b>RETAINER HCL FRONT 635</b>
<b>28</b>	<b>836730</b>	<b>LID HUMIDITY CONTROL 635T</b>
<b>29</b>	<b>836631</b>	<b>SLIDE CONTROL HUMIDITY RH</b>
	<b>836633</b>	<b>SLIDE CONTROL HUMIDITY LH</b>
<b>30</b>	<b>836632</b>	<b>GUIDE CONTROL HUMIDITY RH</b>
	<b>836634</b>	<b>GUIDE CONTROL HUMIDITY LH</b>
<b>31</b>	<b>847316P</b>	<b>RETAINER WHEEL STEEL KIT</b>
	Includes	RETAINER WHEEL STEEL
	Includes	SCREW 8-32X8 TY T PAN PH TV
	Includes	ROLLER FOOT FRONT
	Includes	PIN ROLLER PLATED
<b>32</b>	<b>818614P</b>	<b>BRACKET HINGE BASE RH (PKD)</b>
	Includes 818614	BRKT HINGE BASE RH ASSY NZ
<b>33</b>	<b>883988P</b>	<b>CAP DOOR CLOSING RH HGE BRKT G</b>

# CABINET COMPONENTS



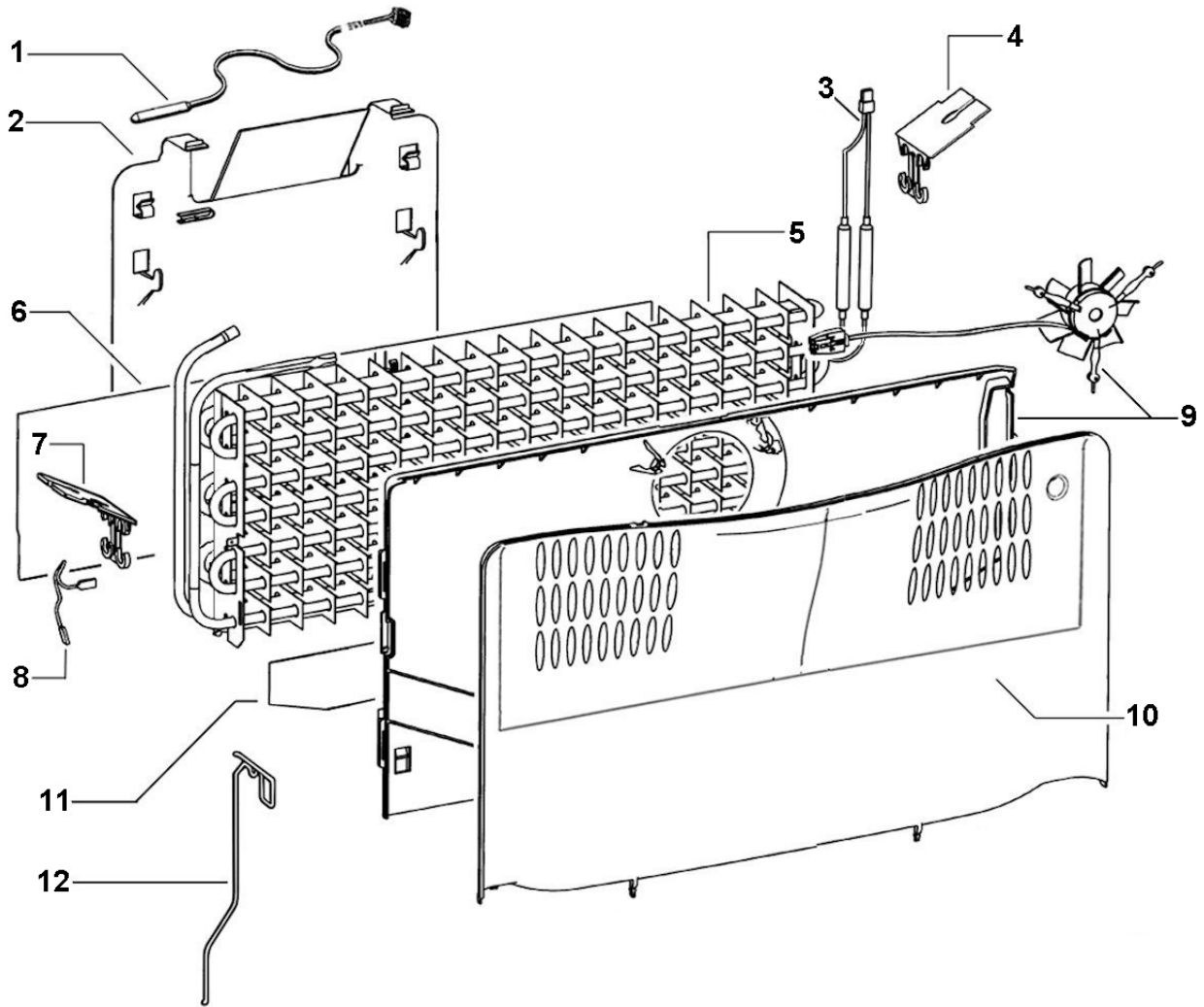
DWG004524

DWG 004524

## CABINET COMPONENTS

REFERENCE	PART NUMBER	PART DESCRIPTION
<b>34</b>	<b>813481</b>	<b>BOLT BLIND END HINGE BRACKET</b>
<b>35</b>	<b>818535</b>	<b>FOOT LEVELLING ASSEMBLY RC</b>
	Includes	WHEEL LEVELLING FOOT ASSY
	Includes	BASE LEVELLING FOOT
<b>36</b>	<b>836596</b>	<b>TRAY ICE HOLDER</b>
<b>37</b>	<b>874108</b>	<b>TRAY ICE LID</b>
<b>38</b>	<b>874107</b>	<b>TRAY ICE BASE</b>
<b>39</b>	<b>860593</b>	<b>BOTTLE HOLDER SINGLE</b>
<b>JOINER KIT FOR SIDE BY SIDE CABINET CONNECTION</b>		
<b>USED FOR COMBINING ANY OF THE THE FOLLOWING 1695MM HIGH CABINET MODELS: N388 ,C450, E402B, E411T, E415H, E440T, E442B, E521T AND E522B</b>		
<b>NI</b>	<b>819264</b>	<b>KIT JOINER SILVER</b>

# FAN, COVERS AND EVAPORATOR COMPONENTS



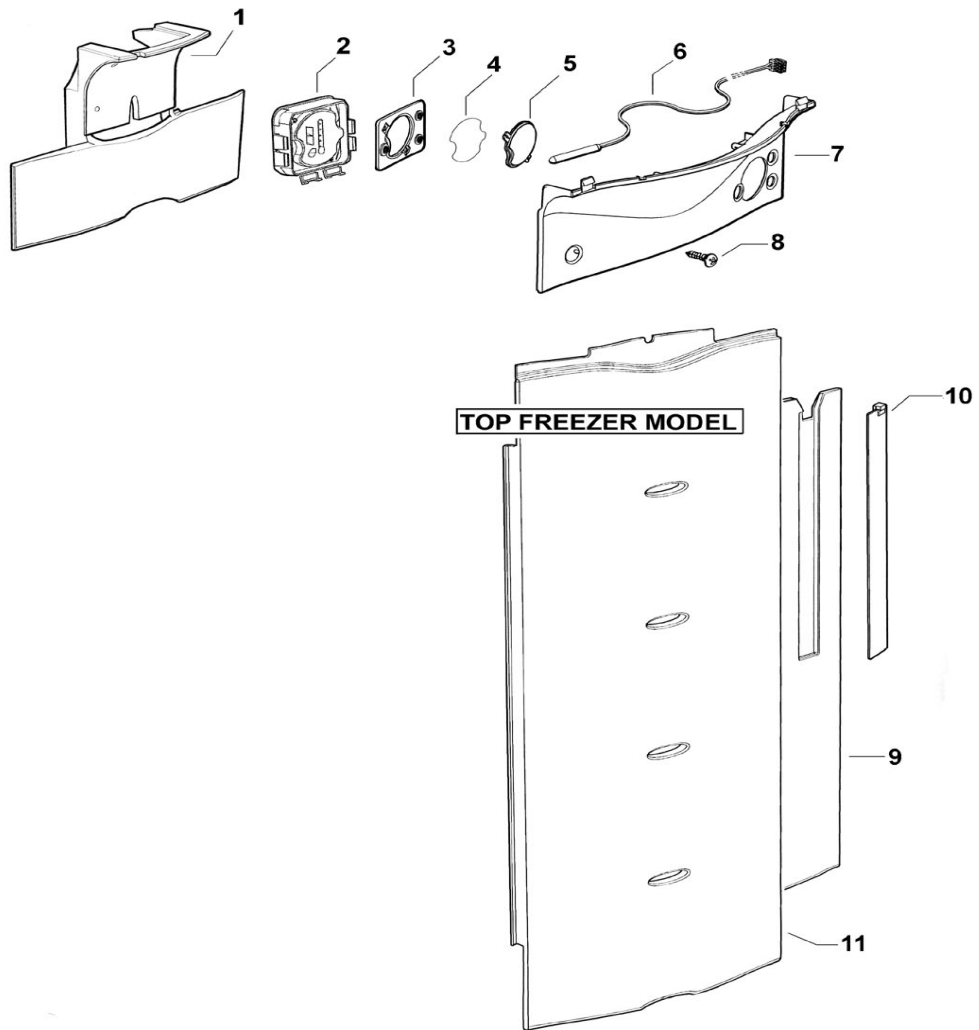
DWG003275 FEBRUARY 2014

DWG 003275

## FAN, COVERS AND EVAPORATOR COMPONENTS

REFERENCE	PART NUMBER	PART DESCRIPTION
<b>1</b>	<b>855203P</b>	<b>SENSOR KIT ASSY ACTV SM</b>
	Includes	HEATSHRINK 25MM
	Includes	HARNESS SENSOR PC
	Includes	CONNECTOR BUTT (2)
	Includes	SHEET INSTRUCTN BUTT CONNECTORS
<b>2</b>	<b>813991</b>	<b>CHASSIS EVAP T</b>
<b>3</b>	<b>821875P</b>	<b>HEATER DEFROST DBLE 230V 635</b>
<b>4</b>	<b>820604</b>	<b>CLIP EVAP BAFFLE</b>
<b>5</b>	<b>837333P</b>	<b>EVAP ASSY 635T 230V DP</b>
	Includes	EVAPORATOR FINNED 635 R600A
	Includes 821875P	HEATER DEFROST DBLE 230V 635
	Includes 813992	CLIP ACTIVE SMART BAFFLE
	Includes 820604	CLIP EVAP BAFFLE
	Includes 813991	CHASSIS EVAP T
	Includes 814698	SHIELD EVAP 635T CHASSIS
	Includes 814460	HARNESS EARTH 100MM
<b>6</b>	<b>814698</b>	<b>SHIELD EVAP 635T CHASSIS</b>
<b>7</b>	<b>813992</b>	<b>CLIP ACTIVE SMART BAFFLE</b>
<b>8</b>	<b>814460</b>	<b>HARNESS EARTH 100MM</b>
<b>9</b>	<b>306094P</b>	<b>FAN FC KIT 635 SERIES A TO D</b>
	Includes	COVER FC REAR 635
	Includes 880409	COVER HEAT SHIELD ALUM 635 P42
	Includes	FAN SUSPENDED FC ASSY
	Includes	LABEL WARNING 12 VOLT DC
	Includes	CONNECTOR IDC UP2 (2)
<b>10</b>	<b>873399</b>	<b>COVER FAN FC FRONT E625 T MODEL</b>
<b>11</b>	<b>880409P</b>	<b>COVER HEAT SHIELD ALUM 635 P42</b>
<b>12</b>	<b>821179</b>	<b>WIRE DRAIN HEATER DOUBLE T</b>

# ELECTRONIC MODULE AND DUCT COVERS



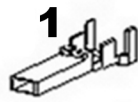
DWG000023 - FEBRUARY 2010

DWG 000023

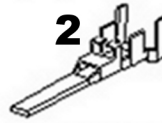
## ELECTRONIC MODULE AND DUCT COVERS

REFERENCE	PART NUMBER	PART DESCRIPTION
1	880759	INSULATN COVR DUCT TOP T&H MODL
2	814321P	DISPLAY P42 ST4 SVC ROHS
3	880779	GASKET DISPLAY MODULE
4	883448	INSERT GRAPHICS DISPLAY
5	883449	LENS CLEAR-DISPLAY MODULE
6	855203P	SENSOR KIT ASSY ACTV SM
	Includes	HEATSHRINK 25MM
	Includes	HARNESS SENSOR PC
	Includes	CONNECTOR BUTT (2)
	Includes	SHEET INSTRUCTN BUTT CONNECTORS
7	836765	COVER DUCT TOP PC T
8	817817P	SCREW 8X12 SP PAN NIB ST TV (PKT 10)
9	881012	INSULATION COVER DUCT LONG T
10	814917	HEATER PCB LOW AMB T MOD RC
11	813534	COVER DUCT T MODEL LONG

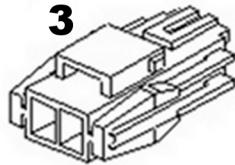
# TERMINAL, PLUGS & SOCKETS



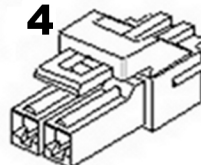
**1**  
JST SOCKET TERMINAL



**2**  
JST PIN TERMINAL



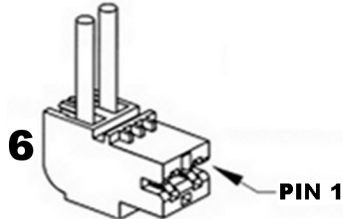
**3**  
JST SOCKET



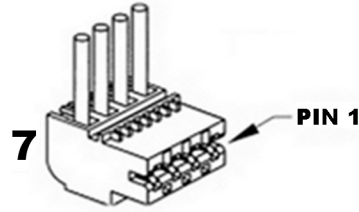
**4**  
JST PLUG



**5**  
JST RETAINER

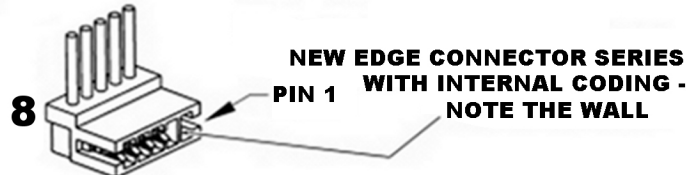


**6**  
RAST CONNECTOR



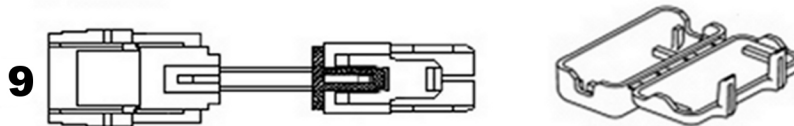
**7**  
RAST CONNECTOR

**NOTE THAT IN THE PART NAMES OF THESE CONNECTORS, THE -02- REFERS TO IT BEING A 2 WAY CONNECTOR, AND THE -AB01-(FOR EXAMPLE) REFERS TO THE CODING OF THE CONNECTOR.**

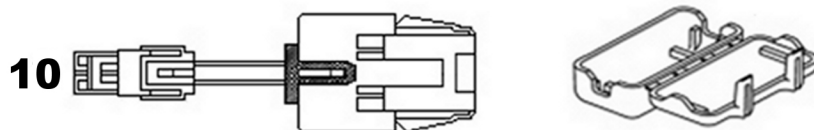


**8**  
RAST CONNECTOR

**NOTE: TO MINIMISE THE NUMBER OF SPARE PARTS THAT NEED TO BE CARRIED, THESE CODED CONNECTORS ARE TO BE REPLACED WITH THEIR UNCODED EQUIVALENTS FOR THE 3, 5 AND 6 WAY CONNECTORS USED ON STAGE 4 CABINETS.**



**9**  
HARNESS ADAPTOR - JST REC TO MOLEX PLUG



**10**  
HARNESS ADAPTOR - JST PLUG TO MOLEX REC

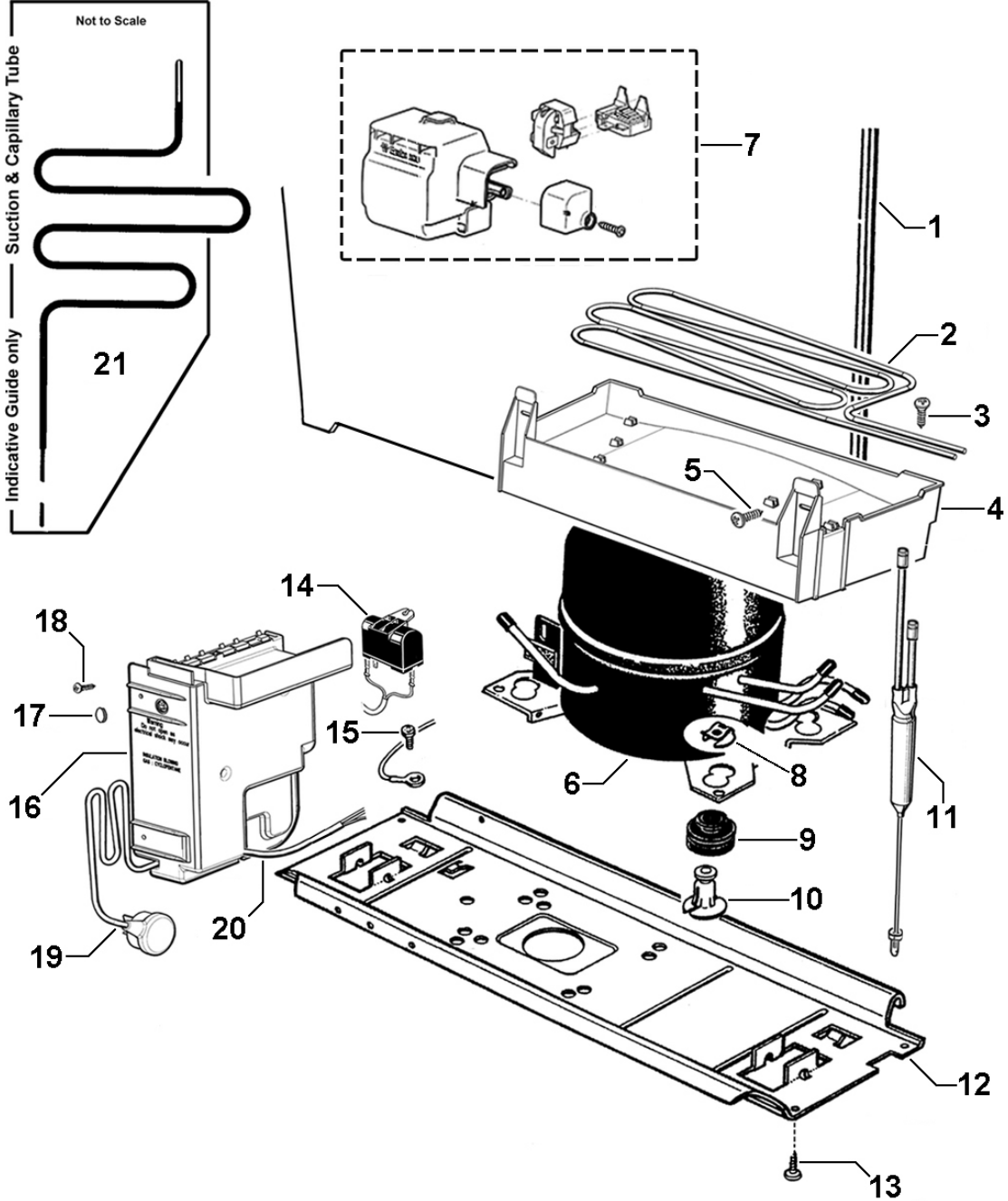


## TERMINAL, PLUGS & SOCKETS

REFERENCE	PART NUMBER	PART DESCRIPTION	COMMENTS
1	819607P	TERMINAL SYF-01T PKT 10	26/20 AWG
	819608P	TERMINAL SYF-41T PKT 10	20/16 AWG
2	819609P	PIN/TERM SYM-01T PKT 10	26/20 AWG
	819610P	PIN/TERM SYM-41T PKT 10	20/16 AWG
3	819615	JST SOCKET 2PIN YLR-02V	
	819616	JST SOCKET 3PIN YLR-03V	
	819617	JST SOCKET 4PIN YLR-04V	
	819618	JST SOCKET 6PIN YLR-06VF	
	819619	JST SOCKET 8 PIN YLR-08V	
4	819611	JST PLUG 2PIN YLP-02V	
	819612	JST PLUG 4PIN YLP-04V	
	819613	JST PLUG 6PIN YLP-06V	
	819614	JST PLUG 8PIN YLP-08V	
5	819620	RETAINER 2 WAY YLS-02V	
	819621	RETAINER 3 WAY YLS-03V	
6	881588	CONNECTOR RAST 9290-02-AB01	MAINS CORD
	881589	CONNECTOR RAST 9290-02-BA01	DEFROST HEATER
	881590	CONNECTOR RAST 9290-02-EE01	RUN CAPACITOR
7	881591	CONNECTOR RAST 9290-04-EF02	COMPRESSOR CABLE
8	873251	CONNECTOR RAST 7234-003-500	
	873250	CONNECTOR RAST 7234-004-500	
	881135	CONNECTOR RAST 7234-005-500	
	873247	CONNECTOR RAST 7234-006-500	
	873279	CONNECTOR RAST 7234-008-500	
	873248	CONNECTOR RAST 7234-010-500	
	873243	CONNECTOR RAST 7234-012-500	
	881136	CONNECTOR RAST 7234-014-500	
	881137	CONNECTOR RAST 7234-017-502	
9	820687P	ADAPTOR JST REC TO MOLEX KIT	
	Includes 884412	COVER PLUG MOLEX	
10	820688P	ADAPTOR JST PLUG TO MOLEX KIT	
	Includes 884412	COVER PLUG MOLEX	

**NOTE:** THE NUMBERS IN THE DESCRIPTION OF THE RAST CONNECTOR DENOTES THE NUMBER OF CONNECTIONS - EXAMPLE: 7234-017-502 =17 WAY CONNECTOR

# COMPRESSOR, ANCILLARY COMPONENTS & CONTROL MODULE



DWG002763 JUNE 2012

DWG 002763

# COMPRESSOR, ANCILLARY COMPONENTS & CONTROL MODULE

REFERENCE	PART NUMBER	PART DESCRIPTION
<b>1</b>	<b>874881</b>	<b>PANEL BACK &amp; CONDENSER ASSY</b>
<b>2</b>	<b>814684</b>	<b>TUBE EVAP TRAY FORMED H/SHK 68</b>
<b>3</b>	<b>815236P</b>	<b>SCREW 12X1/2 TAB CSK PH (PKT 10)</b>
<b>4</b>	<b>820734</b>	<b>TRAY EVAP AS</b>
<b>5</b>	<b>817817P</b>	<b>SCREW 8X16 SP PAN NIB TV (PKT 10)</b>
<b>6</b>	<b>207377P</b>	<b>COMPR JIAX TB1113YL SPARE KIT</b>
	includes	COMPR JIAX TB1113YL 230V
	includes	COMPR ANCILL PARTS TB1113YL
	includes	COVER AND CLAMP JIAXIPERA
	includes	COMBO RELAY-OVERLOAD TB1113YL
	includes 845338	HARNESS COMP 4 CORE SHORT
	includes 845323	CAP 3 UF 450V RAST 5 P2
	includes 845757	GROMMET COMPR MTG 26MM
	includes 841291	POST MT 26MM
	includes 855270	CLIP FOOT COMPRESSOR
	includes 814843	FILTER PREBRAZED LONG T
<b>7</b>	<b>207378P</b>	<b>COMPR ANCILL PARTS TB1113YL</b>
	includes	O/LOAD TB1113YL
	includes	RELAY JIAX TB1113YL
	includes	COVER PROTECTOR TB1113YL
<b>8</b>	<b>855270P</b>	<b>CLIP FOOT COMPRESSOR (PKT 4)</b>
<b>9</b>	<b>843824P</b>	<b>GROMMET 26MMM KIT</b>
<b>10</b>	<b>841291P</b>	<b>POST COMP MTG 26MM PKT X4</b>
<b>11</b>	<b>814843P</b>	<b>FILTER DRIER LONG TAIL XH9 12 GRM</b>
<b>12</b>	<b>814903</b>	<b>TRAY COMP MOUNTING 635</b>
<b>13</b>	<b>817829P</b>	<b>SCREW 8X16 SP PAN NIB TV (PKT 10)</b>
<b>14</b>	<b>814809P</b>	<b>CAPACITOR 4UF 450V RAST5 P2 PKD</b>
<b>15</b>	<b>817828P</b>	<b>SCREW 8-32X8 TY T PAN PH TV (PKT 10)</b>
<b>16</b>	<b>838196P</b>	<b>MOD CNTRL GLTH MT ROHS 220V SV</b>
<b>17</b>	<b>884505</b>	<b>COVER COMMS PORT</b>
<b>18</b>	<b>817829P</b>	<b>SCREW 8X16 SP PAN NIB TV (PKT 10)</b>
<b>19</b>	<b>884336</b>	<b>CORD SET SUPPLY 220-240V ST4.1</b>
<b>20</b>	<b>845338</b>	<b>HARNESS COMP 4 CORE SHORT</b>
<b>21</b>	<b>821259</b>	<b>TUBE SUCTCAP ASSY 5/16 2LOOP</b>

[www.fisherpaykel.com](http://www.fisherpaykel.com)

Copyright © Fisher & Paykel Appliances Ltd 2017. All rights reserved.  
The product specifications in this manual apply to the specific model described at the date of issue. Under our policy of continuous product improvement, these specifications may change at any time. Only use this manual if the product code on the front matches the product code on the serial label of the product.

AA

PRODUCT CODE: 24756-C 11.17