

Fisher & Paykel

Refrigerator/Freezer

E521TLE3 FP AA

Product Code: 23743-A

Parts Manual

Brand:	Fisher & Paykel
Voltage:	220-240V, 50Hz
Model:	E521TLE3 FP AA
Product Code:	23743-A

Models

- The model covered by this manual is listed on the front cover.
- The information detailed in this manual is subject to change without notice. The latest version is indicated by the reprint date and replaces any earlier editions.

Kit Parts

Kit components are shown in *italics*. Where a part number is shown against the descriptions for these kit components, they are also available as separate items. In addition, some parts may be supplied with these kits that are not available as separate items, and are therefore either not listed, or a part number is not shown against the part description in this manual.

Parts List Key

<i>italics</i>	Kit components or parts included are shown in italics. Refer to above notes: Kit Parts.
NI	As a part reference, indicates the part is not illustrated on the diagram.
NOT USED	As a part number, indicates the diagram part reference is not used in this manual.

DOORS AND COMPONENTS	4
CABINET COMPONENTS	6
FAN, COVERS & EVAPORATOR ASSEMBLIES	10
DISPLAY MODULE AND DUCT COVERS	12
TERMINALS, PLUGS & SOCKETS	14
COMPRESSOR, ANCILLARY COMPONENTS & CONTROL MODULE	16

Fisher & Paykel Appliances Ltd

78 Springs Road, East Tamaki
Manukau 2013
PO Box 58-546, Botany,
Manukau 2163,
Auckland, New Zealand

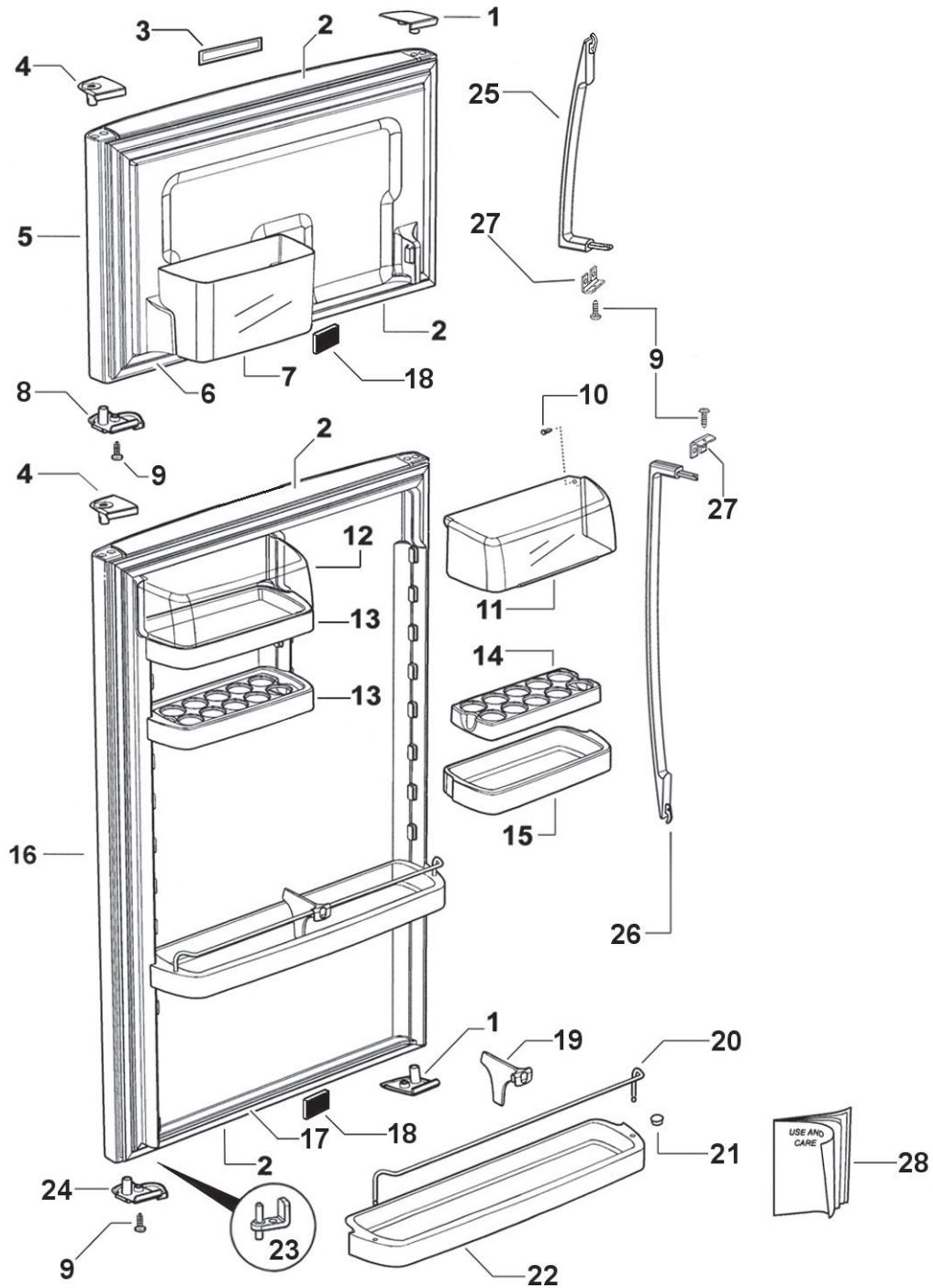
tel: (09) 2730660
fax: (09) 2730580
email: customer.care@fp.co.nz

Fisher & Paykel Customer Services Pty Ltd

PO Box 798, Cleveland, QLD 4163
A.C.N. 003 3335 171
19 Enterprise Street
Cleveland, QLD 4163
Australia

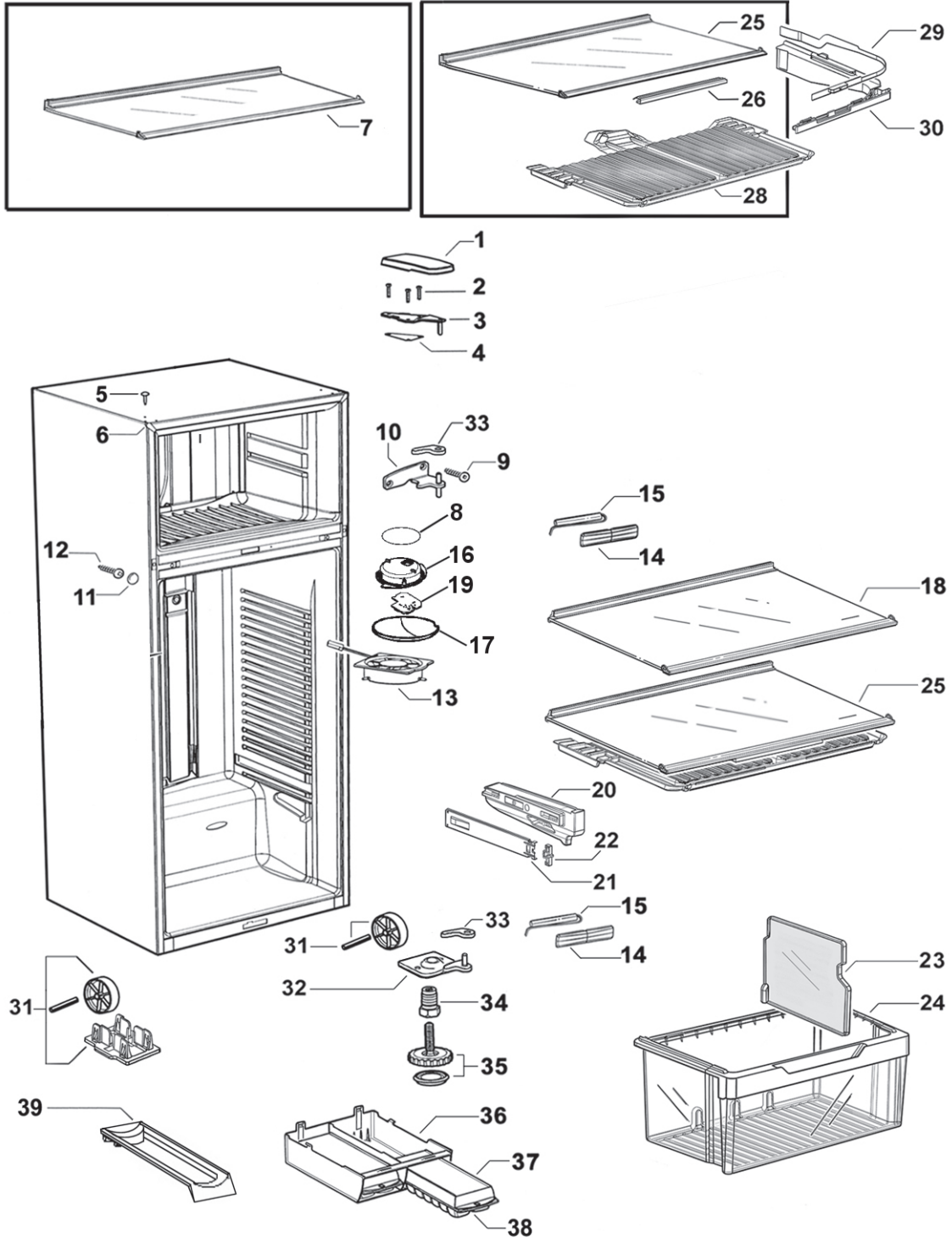
tel: 07 3826 9100
fax: 07 3826 9164

4 DOORS AND COMPONENTS

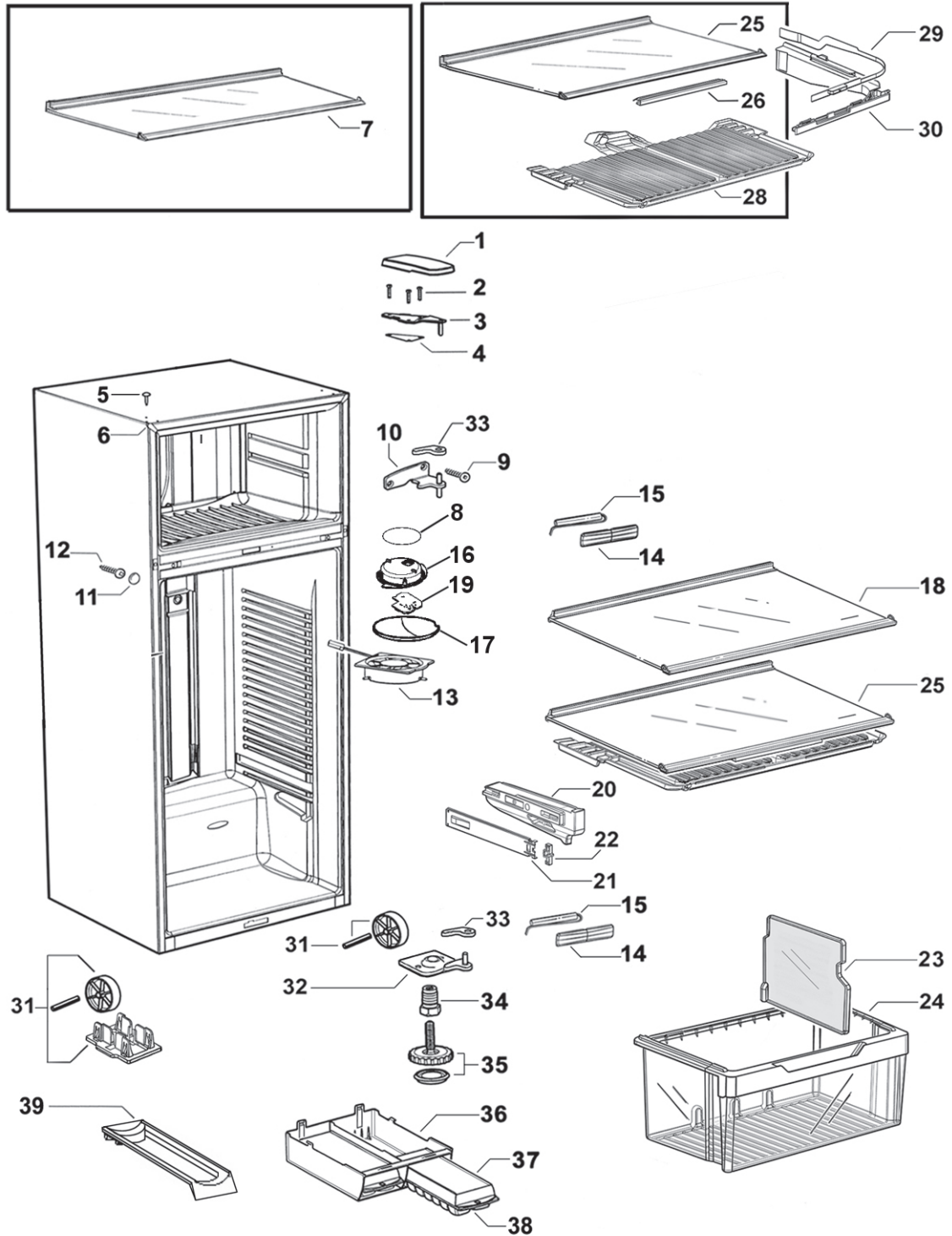


REF.	PART NUMBER	PART DESCRIPTION
1	883717	COVER HGE DR RHT/LHB WHITE LIP 680/790
	883718	COVER HGE DR LHT/RHB WHITE LIP 680/790
2	883672	CAP DOOR END OUTER WH 790
3	836790	NAMEPLATE F&P ELEG/TASMAN
4	883661	BEARING HINGE LH WH LIP 680/790
5	314025P	DOOR FC G 790X443 C WHT LH
	<i>Includes 883672</i>	<i>CAP DOOR END OUTER WHITE 790 (2)</i>
	<i>Includes 883315</i>	<i>MAGNET DOOR SWITCH ST4</i>
6	819823P	GASKET FRAME E521T FC
7	882378	BIN FC 790
8	881454P	BEARING DR CLOSING LH WH 635
9	817825P	SCREW #8X22 WAFER PH ST TV (PKT 10)
10	871123P	PLUG/PIN HINGE DAIRY COVER (PKT 2)
11	882141	COVER DOOR SHELF 790 RH
12	882140	COVER DOOR SHELF 790 LH
13	882145	SHELF DOOR SML LH 790
14	882323	SHELF EGG RACK
15	882146	SHELF DOOR SML RH 790
16	314023P	DOOR PC G 790X1200 C WHT LH
	<i>Includes 883672</i>	<i>CAP DOOR END OUTER WHITE 790 (2)</i>
	<i>Includes 883315</i>	<i>MAGNET DOOR SWITCH ST4</i>
17	819824P	GASKET FRAME E521T PC
18	883315	MAGNET DOOR SWITCH ST4
19	883121	DIVIDER BOTTLE RAIL WHITE
20	818851	RAIL BOTTLE SUPPORT 790 SL
21	876281P	PLUG DOOR SHELF WHITE (PKT 2)
22	882100	SHELF DOOR LARGE 790
23	814537	DOOR STOP ASSY
24	819649	CLOSING HOOK DR STOP WH LH
25	820871	HANDLE DR CURVE SH PC V
26	820870	HANDLE DR CURVE LG PC V
27	881391	PLATE HANDLE SUPPORT PLATED
28	837372	BOOKLET U&C NON I&W NZ/AU/UK/PAC

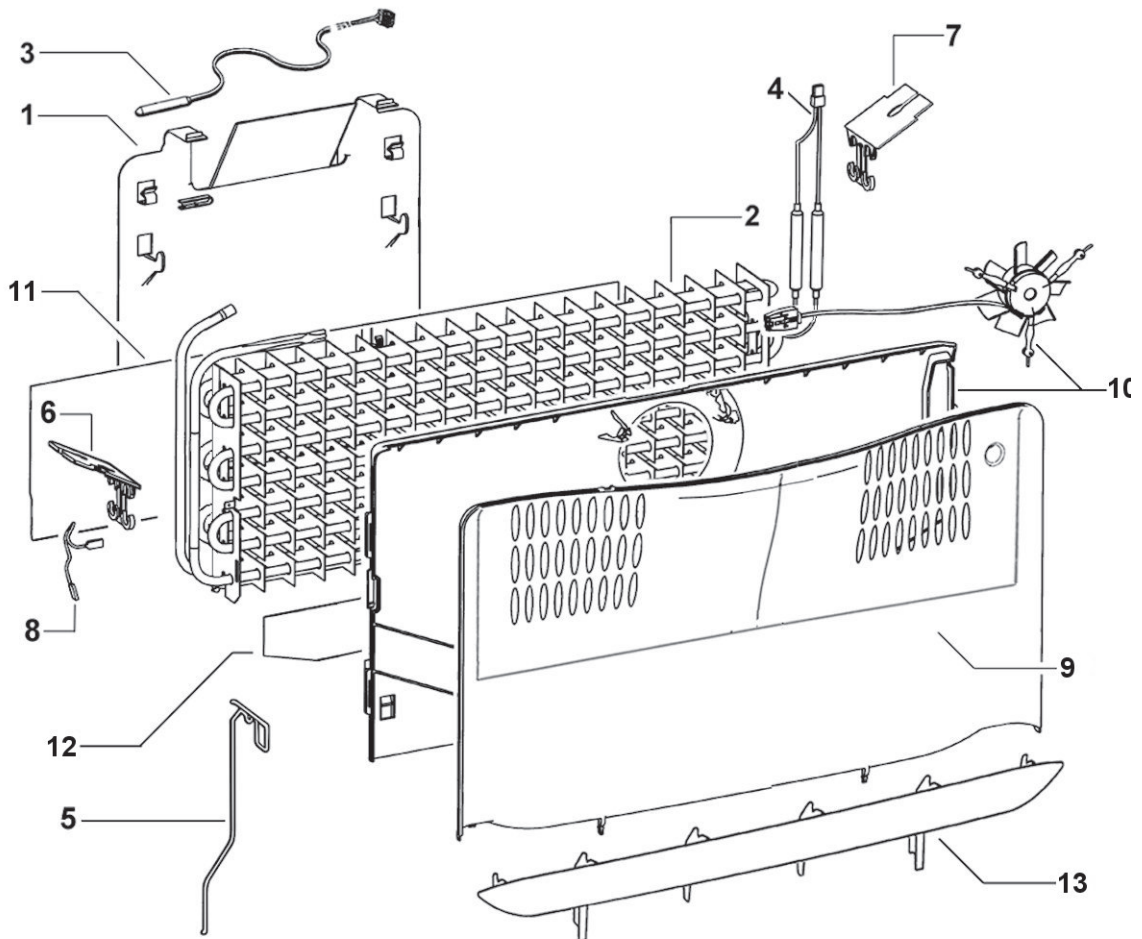
6 CABINET COMPONENTS



REF.	PART NUMBER	PART DESCRIPTION
1	880490	COVER TOP HINGE WHITE
2	817818P	SCREW M5X20 HEX PH ST TV (PKT 10)
3	880526P	BRACKET TOP HINGE ASSY
4	882355	GASKET TOP HINGE
5	881131P	PLUG TAPPED HOLE WHITE (PKT 3)
6	883590	TRIM CORNER RECESSED WHITE
7	836754P	SHELF GLASS FC 790T ASSY SC
	<i>Includes</i>	SHELF GLASS FC 790
	<i>Includes</i>	TRIM SHELF FC 790 SC
	<i>Includes</i>	STIFFENER SHELF FC 790 SC
	<i>Includes 836567</i>	PLUG TRIM SHELF RH
	<i>Includes 836568</i>	PLUG TRIM SHELF LH
	<i>Includes 836569</i>	PLUG STIFFENER SHELF RH
	<i>Includes 836570</i>	PLUG STIFFENER SHELF LH
8	873394	GASKET FOAM LIGHT
9	880656P	SCREW 10GX25CSK SQ SS (PKT 10)
10	881286P	BRACKET CTR HINGE LH (PKD)
	<i>Includes 883989</i>	CAP DOOR CLOSING LH HGE BRKT G
11	880595P	CAP SCREW CROSS RAIL WHITE
12	817822P	SCREW #10X19 AB #2 SQ TV (PKT 10)
13	821183P	PC FAN ASSY JST/DCT
	<i>Includes</i>	FAN HOUSING PC ASSY
	<i>Includes</i>	DUCT JUNCTION
	<i>Includes</i>	CONNECTOR IDC UP2 (2)
	<i>Includes</i>	LABEL WARNING 12 VOLT DC
	<i>Includes</i>	SHEET INSTRUCTION PC FAN ASSY
14	881420	COVER REED SWITCH ST4 WH
15	814443P	SWITCH REED FIELD FIX KIT ST4
	<i>Includes</i>	HEATSHRINK 1/8" MW ADHESIVE LINED
16	820733	HOUSING SINGLE LED
17	875318	COVER LAMP PC
18	836751P	SHELF GLASS PC 790 ASSY SC
	<i>Includes</i>	SHELF GLASS PC 790
	<i>Includes</i>	TRIM SHELF PC 790 SC
	<i>Includes</i>	STIFFENER SHELF PC 790 SC
	<i>Includes 836567</i>	PLUG TRIM SHELF RH
	<i>Includes 836568</i>	PLUG TRIM SHELF LH
	<i>Includes 836569</i>	PLUG STIFFENER SHELF RH
	<i>Includes 836570</i>	PLUG STIFFENER SHELF LH
19	820732P	MOD LAMP AS SGL LED RH SVC
20	836620	RETAINER SLIDE PC T RH
	836621	RETAINER SLIDE PC T LH

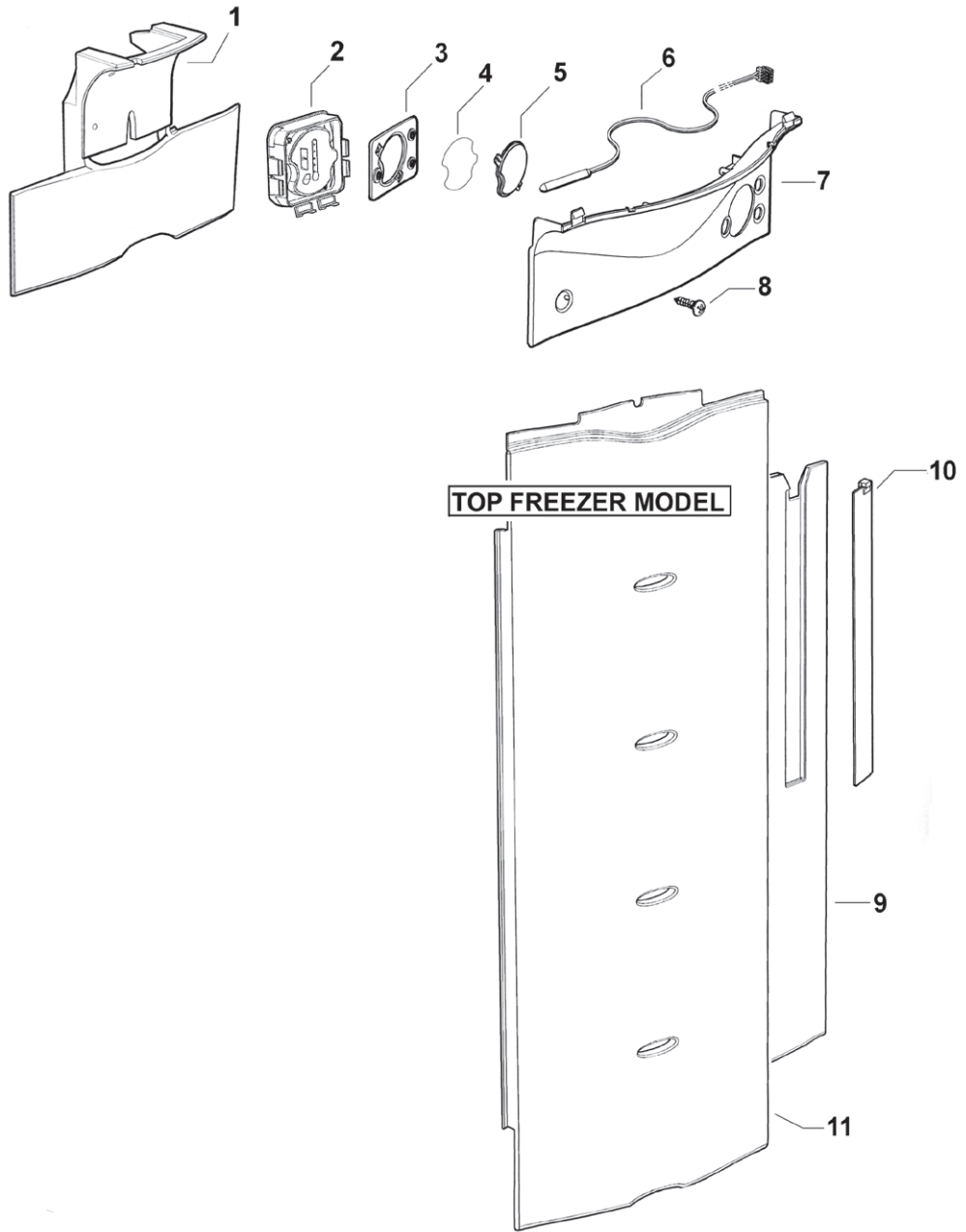


REF.	PART NUMBER	PART DESCRIPTION
21	836700	SLIDE 300 RH ASSEMBLY
	<i>Includes 836520</i>	<i>CLIP SLIDE</i>
	836701	SLIDE 300 LH ASSEMBLY
	<i>Includes 836520</i>	<i>CLIP SLIDE</i>
22	836520P	CLIP SLIDE (PKT 2)
23	836533	DIVIDER BIN LARGE
24	836661	BIN ASSEMBLY LARGE 790
	<i>Includes</i>	<i>HANDLE BIN LARGE</i>
25	836757P	SHELF GLASS HCL 790T ASSY SC
	<i>Includes</i>	<i>SHELF GLASS HCL T 790</i>
	<i>Includes</i>	<i>TRIM SHELF HCL 790 SC</i>
	<i>Includes</i>	<i>STIFFENER SHELF PC 790 SC</i>
	<i>Includes 836567</i>	<i>PLUG TRIM SHELF RH (Front)</i>
	<i>Includes 836568</i>	<i>PLUG TRIM SHELF LH (Front)</i>
	<i>Includes 836569</i>	<i>PLUG STIFFENER SHELF RH</i>
	<i>Includes 836570</i>	<i>PLUG STIFFENER SHELF LH</i>
26	819179	RETAINER HCL FRONT 790
28	836578	LID HUMIDITY CONTROL 790T
29	836631	SLIDE CONTROL HUMIDITY RH
	836633	SLIDE CONTROL HUMIDITY LH
30	836632	GUIDE CONTROL HUMIDITY RH
	836634	GUIDE CONTROL HUMIDITY LH
31	315090P	KIT WHEEL BRACKET CLIP
	<i>Includes</i>	<i>PIN ROLLER PLATED</i>
	<i>Includes</i>	<i>ROLLER FOOT FRONT</i>
	<i>Includes</i>	<i>CLIP WHEEL BRACKET</i>
32	814690P	BRACKET HINGE BASE LH ASSY
	<i>Includes 883989</i>	<i>CAP DOOR CLOSING HGE BRKT GY LH</i>
33	883989	CAP DOOR CLOSING HGE BRKT GY LH
34	813481	BOLT BLIND END HINGE BRACKET
35	818535	FOOT LEVELLING ASSEMBLY RC
	<i>Includes</i>	<i>WHEEL LEVELLING FOOT ASSY</i>
	<i>Includes</i>	<i>BASE LEVELLING FOOT</i>
36	836596	TRAY ICE HOLDER
37	874108	TRAY ICE LID
38	874107	TRAY ICE BASE
39	NOT USED	ITEM NOT USED IN THIS MODEL
JOINER KIT FOR SIDE BY SIDE CABINET CONNECTION		
Used for combining any of the the following 1695mm high cabinet models: N388 ,C450, E402B, E411T, E415H, E440T, E442B, E521T and E522B		
NI	819263	KIT JOINER WHITE

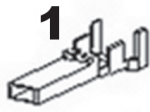


REF.	PART NUMBER	PART DESCRIPTION
1	813991	CHASSIS EVAP T
2	837337P	EVAPORATOR ASSY 790T 230V DP
	<i>Includes</i>	<i>EVAPORATOR FINNED 790 R600A</i>
	<i>Includes 813991</i>	<i>CHASSIS EVAP T</i>
	<i>Includes 814700</i>	<i>SHIELD 790T CHASSIS</i>
	<i>Includes 821877</i>	<i>HEATER DEFROST DBLE 230V 790</i>
	<i>Includes 820604</i>	<i>CLIP EVAP BAFFLE</i>
	<i>Includes 813992</i>	<i>CLIP ACTIVE SMART BAFFLE</i>
	<i>Includes 814460</i>	<i>HARNESS EARTH 100MM</i>
	<i>Includes 821255</i>	<i>CABLE TIE 200MMX3.6</i>
3	855203P	SENSOR KIT ASSY ACTV SM
	<i>Includes</i>	<i>HEATSHRINK 25MM</i>
	<i>Includes</i>	<i>HARNESS SENSOR PC</i>
	<i>Includes</i>	<i>CONNECTOR BUTT (2)</i>
	<i>Includes</i>	<i>SHEET INSTRUCTN BUTT CONNECTORS</i>
4	821877	HEATER DEFROST DBLE 230V 790
5	821179	WIRE DRAIN HEATER DOUBLE T
6	813992	CLIP ACTIVE SMART BAFFLE
7	820604	CLIP EVAP BAFFLE
8	814460	HARNESS EARTH 100MM
9	883688	COVER FAN FC FRONT 790T
10	306096P	FAN FC KIT 790 SERIES A to D
	<i>Includes 880279</i>	<i>COVER HEAT SHIELD 790T</i>
	<i>Includes</i>	<i>COVER FAN FC REAR 790</i>
	<i>Includes</i>	<i>CONNECTOR IDC UP2 (2)</i>
	<i>Includes</i>	<i>LABEL WARNING 12 VOLT DC</i>
	<i>Includes</i>	<i>FAN DC SUSPENDEDED FC ASSY</i>
11	814700	SHIELD EVAP 790T CHASSIS
12	883783	SHIELD FC COVER 790
13	883693	COVER VENT 790T

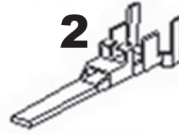
DISPLAY MODULE AND DUCT COVERS



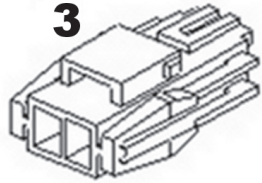
REF.	PART NUMBER	PART DESCRIPTION
1	880759	INSULATION COVER DUCT TOP T MOD
2	814321P	DISPLAY P42 ST4 SVC ROHS
3	880779	GASKET DISPLAY MODULE
4	883448	INSERT GRAPHICS DISPLAY
5	883449	LENS CLEAR-DISPLAY MODULE
6	855203P	SENSOR KIT ASSY ACTV SM
	<i>Includes</i>	<i>HEATSHRINK 25MM</i>
	<i>Includes</i>	<i>HARNESS SENSOR PC</i>
	<i>Includes</i>	<i>CONNECTOR BUTT (2)</i>
	<i>Includes</i>	<i>SHEET INSTRUCTN BUTT CONNECTORS</i>
7	836765	COVER DUCT TOP PC T
8	817817P	SCREW 8X12 SP PAN NIB ST TV (PKT 10)
9	880259	INSULATION COVER DUCT LONG T
10	814917	HEATER PCB LOW AMB T MOD RC
11	813534	COVER DUCT T MODEL LONG



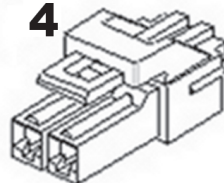
JST SOCKET TERMINAL



JST PIN TERMINAL



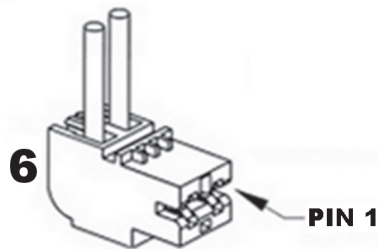
JST SOCKET



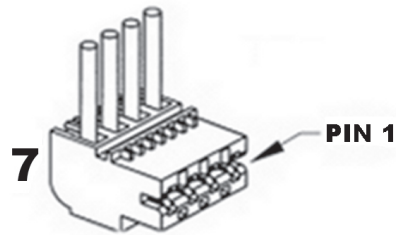
JST PLUG



JST RETAINER



RAST CONNECTOR



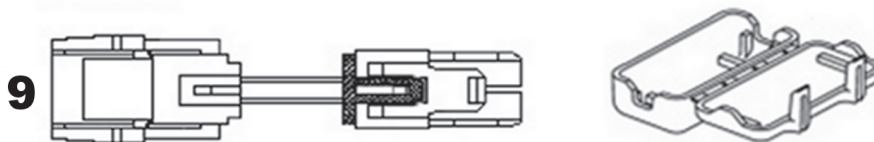
RAST CONNECTOR

NOTE THAT IN THE PART NAMES OF THESE CONNECTORS, THE -02- REFERS TO IT BEING A 2 WAY CONNECTOR, AND THE -AB01-(FOR EXAMPLE) REFERS TO THE CODING OF THE CONNECTOR.

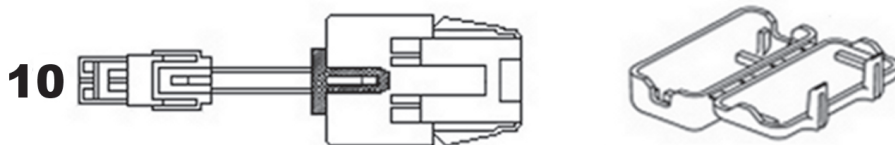


RAST CONNECTOR

NOTE: TO MINIMISE THE NUMBER OF SPARE PARTS THAT NEED TO BE CARRIED, THESE CODED CONNECTORS ARE TO BE REPLACED WITH THEIR UNCODED EQUIVALENTS FOR THE 3, 5 AND 6 WAY CONNECTORS USED ON STAGE 4 CABINETS.



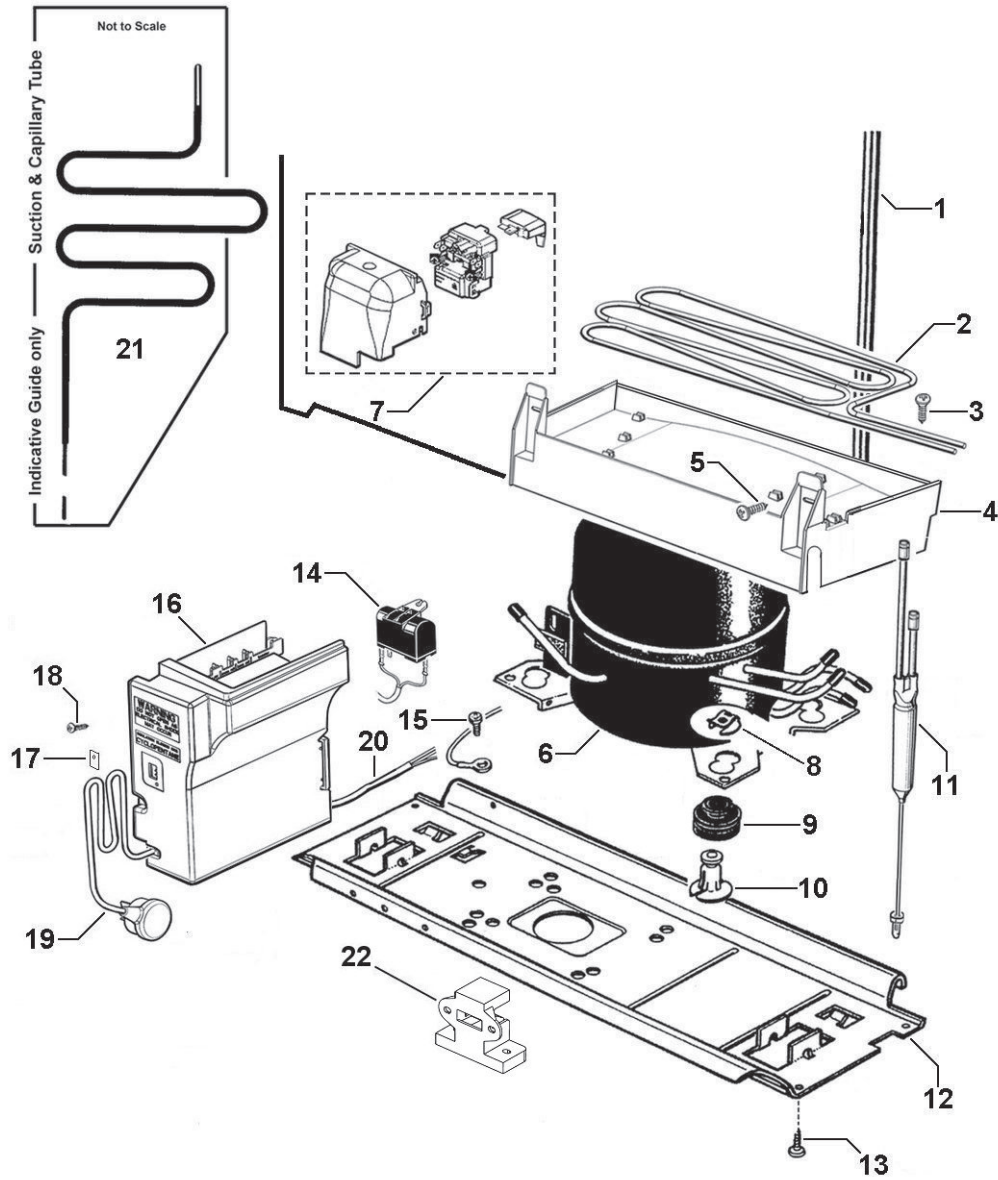
HARNESS ADAPTOR - JST REC TO MOLEX PLUG



HARNESS ADAPTOR - JST PLUG TO MOLEX REC

REF.	PART NUMBER	PART DESCRIPTION	
1	819607P	TERMINAL SYF-01T PKT 10	26/20 AWG
	819608P	TERMINAL SYF-41T PKT 10	20/16 AWG
2	819609P	PIN/TERM SYM-01T PKT 10	26/20 AWG
	819610P	PIN/TERM SYM-41T PKT 10	20/16 AWG
3	819615	JST SOCKET 2PIN YLR-02V	
	819616	JST SOCKET 3PIN YLR-03V	
	819617	JST SOCKET 4PIN YLR-04V	
	819618	JST SOCKET 6PIN YLR-06VF	
	819619	JST SOCKET 8 PIN YLR-08V	
4	819611	JST PLUG 2PIN YLP-02V	
	819612	JST PLUG 4PIN YLP-04V	
	819613	JST PLUG 6PIN YLP-06V	
	819614	JST PLUG 8PIN YLP-08V	
5	819620	RETAINER 2 WAY YLS-02V	
	819621	RETAINER 3 WAY YLS-03V	
6	881588	CONNECTOR RAST 9290-02-AB01	MAINS CORD
	881589	CONNECTOR RAST 9290-02-BA01	DEFROST HEATER
	881590	CONNECTOR RAST 9290-02-EE01	RUN CAPACITOR
7	881591	CONNECTOR RAST 9290-04-EF02	COMPRESSOR CABLE
8	873251	CONNECTOR RAST 7234-003-500	
	873250	CONNECTOR RAST 7234-004-500	
	881135	CONNECTOR RAST 7234-005-500	
	873247	CONNECTOR RAST 7234-006-500	
	873279	CONNECTOR RAST 7234-008-500	
	873248	CONNECTOR RAST 7234-010-500	
	873243	CONNECTOR RAST 7234-012-500	
	881136	CONNECTOR RAST 7234-014-500	
	881137	CONNECTOR RAST 7234-017-502	
9	820687P	ADAPTOR JST REC TO MOLEX KIT	
	<i>Includes 884412</i>	<i>COVER PLUG MOLEX</i>	
10	820688P	ADAPTOR JST PLUG TO MOLEX KIT	
	<i>Includes 884412</i>	<i>COVER PLUG MOLEX</i>	

**NOTE: THE NUMBERS IN THE DESCRIPTION OF THE RAST CONNECTOR DENOTE THE NUMBER OF CONNECTIONS
EXAMPLE: 7234-017-502 =17 WAY CONNECTOR**



REF.	PART NUMBER	PART DESCRIPTION
1	882137P	PANEL BACK & CONDENSER ASSEMBLY
2	814684	TUBE EVAP TRAY FORMED H/SHRINK
3	815236P	SCREW 12X1/2 TAB CSK PH (PKT 10)
4	820734	TRAY EVAP AS
5	817817P	SCREW #8X12 SP PAN NIB ST TV (PKT 10)
6	207279P	COMPR PKD EMB EGX80CLC 220-240
	<i>Includes</i>	O/LOAD COMPR 189NFBYY FGS70
	<i>Includes</i>	RELAY PTC EMB 7M220MD3
	<i>Includes</i>	COVER PROTECTOR EMB EGZS
	<i>Includes 207265</i>	GROMMET COMPR MTG 26MM (4)
	<i>Includes 820538</i>	POST COMPR MNTG 26MM (4)
	<i>Includes 855270</i>	CLIP FOOT COMPRESSOR (4)
	<i>Includes 814809</i>	CAP 4.0 μ F 450V RAST5 P2
	<i>Includes 814843</i>	FILTER DRIER LONG TAIL XH9 12 GRM
7	207284P	COMPR ANCILL PARTS EGX80 90
	<i>Includes</i>	O/LOAD COMPR 189NFBYY FGS70
	<i>Includes</i>	RELAY PTC EMB 7M220MD3
	<i>Includes</i>	COVER PROTECTOR EMB EGZS
8	855270P	CLIP FOOT COMPRESSOR (PKT 4)
9	207265	GROMMET COMPR MTG 26MM
10	820538	POST COMPR MNTG 26MM
11	814843P	FILTER DRIER LONG TAIL XH9 12 GRM
12	814905	TRAY COMP MOUNTING 790 VCC
13	817829P	SCREW #8X16 SP PAN NIB ST TV (PKT 10)
14	814809P	CAP 4.0 μ F 450V RAST5 P2
15	817828P	SCREW 8-32X8 TY T PAN PH TV (PKT 10)
16	820817P	MOD CNTRL GLTH RT 220V SVC
17	884505	COVER COMMS PORT
18	817829P	SCREW #8X16 SP PAN NIB ST TV (PKT 10)
19	884336	CORD SET SUPPLY 220-240V ST4.1
20	813393	HARNESS COMP 4 CORE DGX
21	821259	TUBE SUCT CAP ASSY 5/16 ROHS
22	880911	BRACKET CABINET STABILITY

Fisher & Paykel
appliances

customer care™

www.fisherpaykel.co.nz
www.fisherpaykel.com.au

Fisher & Paykel

Copyright © Fisher & Paykel 2012. All rights reserved.

The product specifications in this booklet apply to the specific product and models described at the date of issue. Under our policy of continuous product improvement, these specifications may change at any time. Only use this manual if the product code on the front matches the product code on the serial label of the product.