

Fisher & Paykel

Refrigerator/Freezer

E522BRE2 FP NC

Product Code: 23398-A

Parts Manual

| | |
|----------------------|-----------------|
| Brand: | Fisher & Paykel |
| Voltage: | 220-240V, 50Hz |
| Model: | E522BRE2 FP NC |
| Product Code: | 23398-A |

Models

- The model covered by this manual is listed on the front cover.
- The information detailed in this manual is subject to change without notice. The latest version is indicated by the reprint date and replaces any earlier editions.

Kit Parts

Kit components are shown in *italics*. Where a part number is shown against the descriptions for these kit components, they are also available as separate items. In addition, some parts may be supplied with these kits that are not available as separate items, and are therefore either not listed, or a part number is not shown against the part description in this manual.

Parts List Key

| | |
|----------------|---|
| <i>italics</i> | Kit components or parts included are shown in italics. Refer to above notes: Kit Parts. |
| NI | As a part reference, indicates the part is not illustrated on the diagram. |
| NOT USED | As a part number, indicates the diagram part reference is not used in this manual. |

| | |
|---|----|
| DOORS AND COMPONENTS | 4 |
| CABINET COMPONENTS | 6 |
| FAN, COVERS & EVAPORATOR ASSEMBLIES | 12 |
| DISPLAY MODULE & DUCT COVERS | 14 |
| TERMINALS, PLUGS & SOCKETS | 16 |
| COMPRESSOR, ANCILLARY COMPONENTS & CONTROL MODULE | 18 |

Fisher & Paykel Appliances Ltd

78 Springs Road, East Tamaki
Manukau 2013
PO Box 58-546, Botany,
Manukau 2163,
Auckland, New Zealand

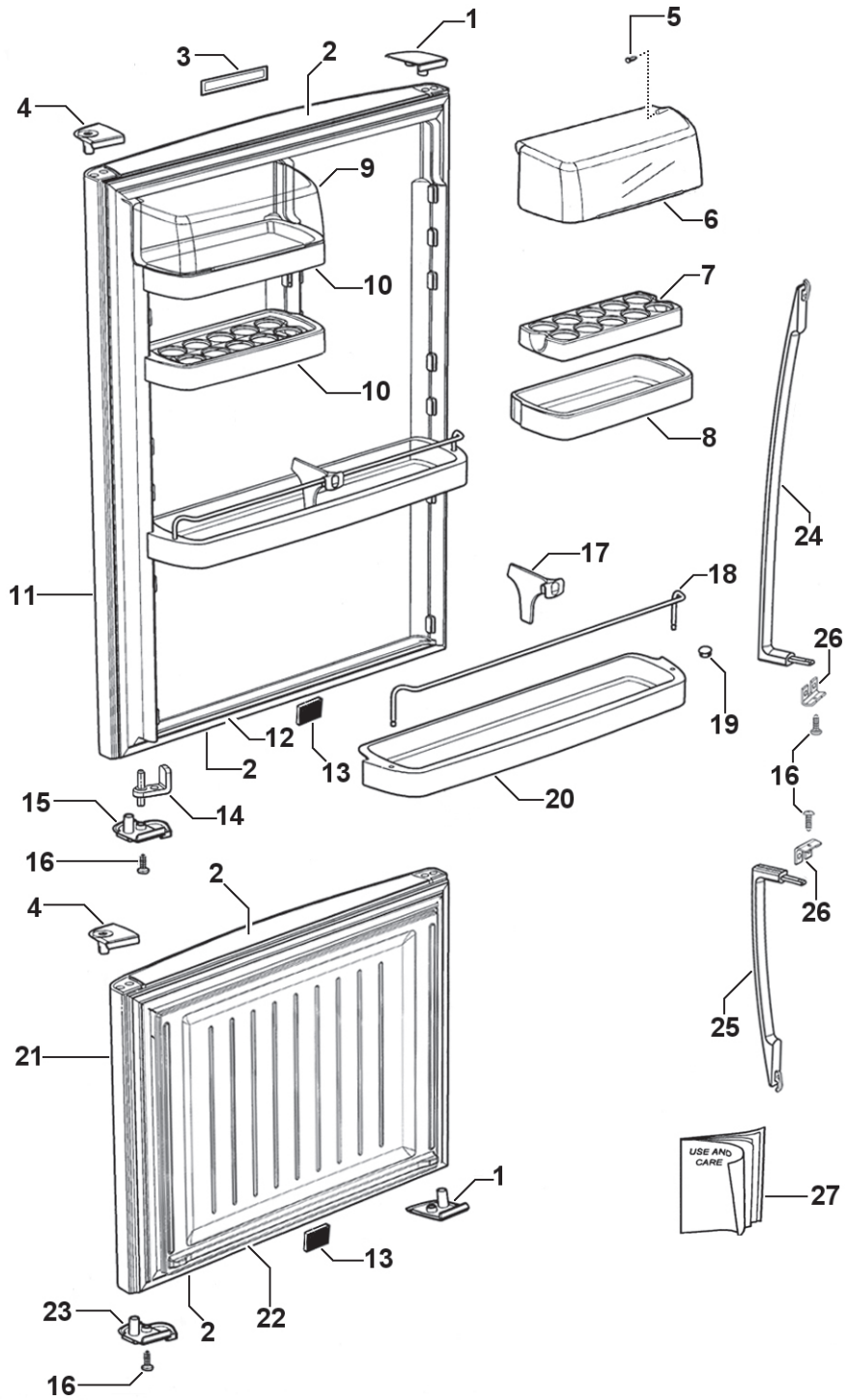
tel: (09) 2730660
fax: (09) 2730580
email: customer.care@fp.co.nz

**Fisher & Paykel Customer Services
Pty Ltd**

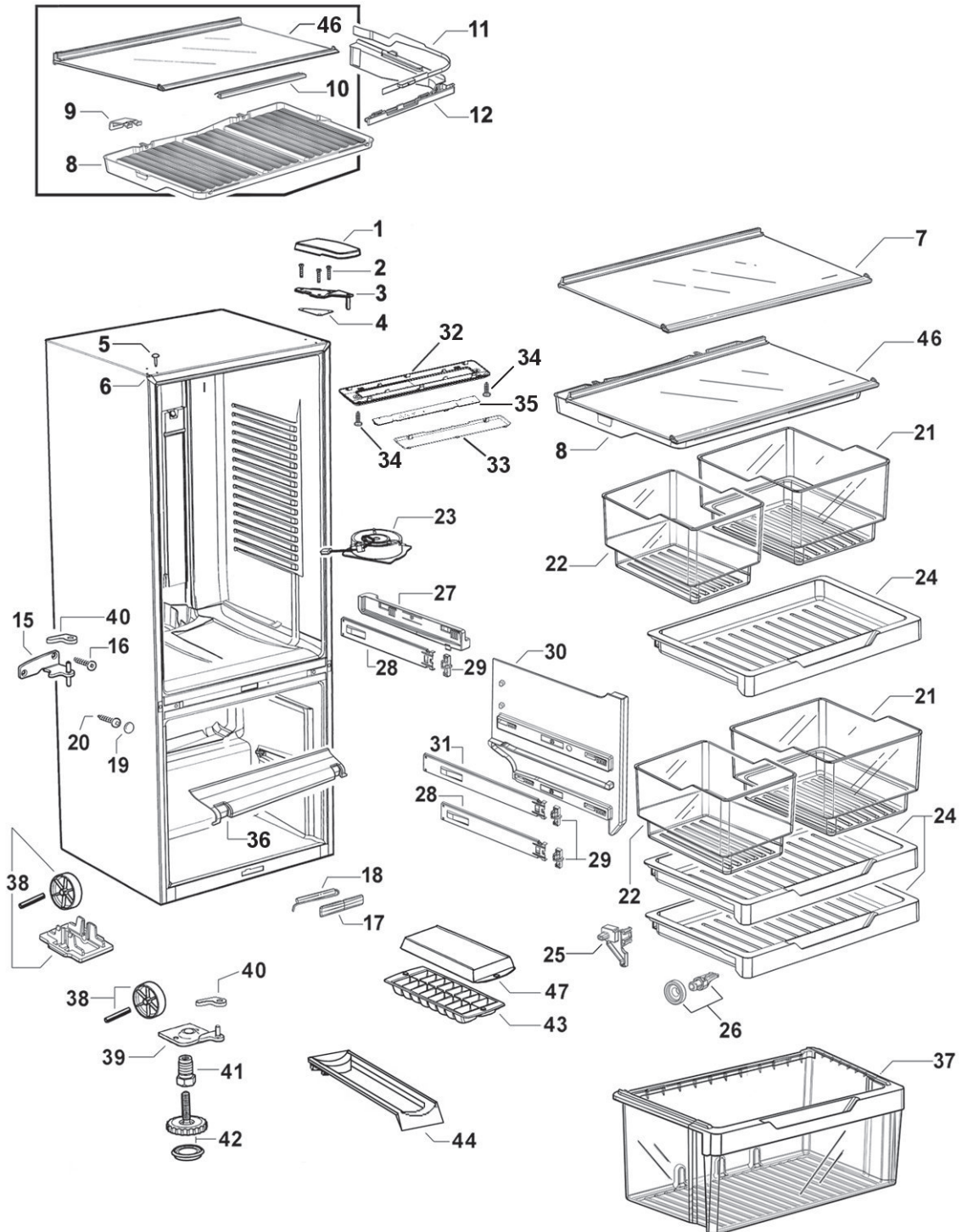
PO Box 798, Cleveland, QLD 4163
A.C.N. 003 3335 171
19 Enterprise Street Cleveland, QLD
4163
Australia

tel: (07) 3826 9100
fax: (07) 3826 9164
email: customer.care@fp.com.au

4 DOORS AND COMPONENTS



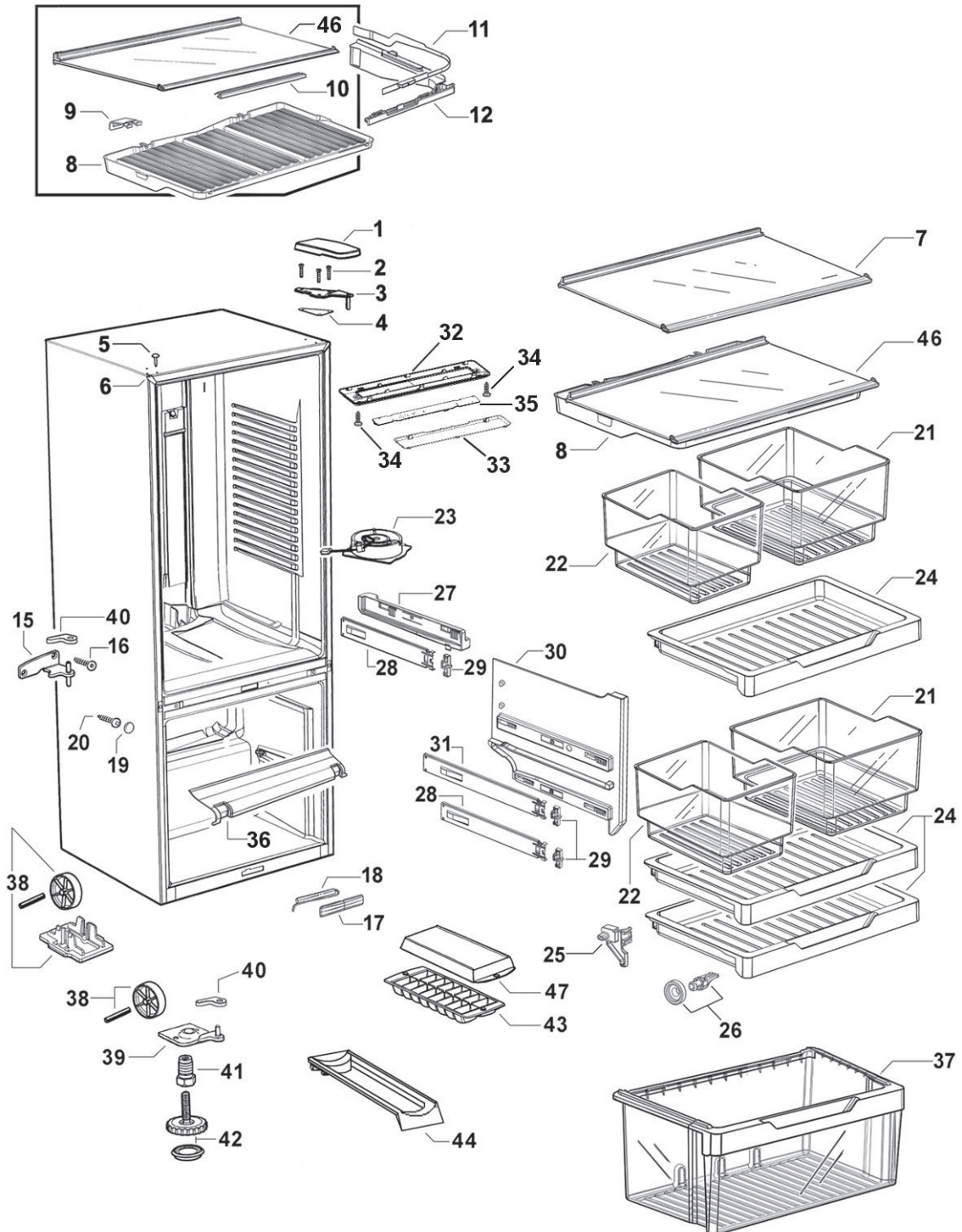
| REF. | PART NUMBER | PART DESCRIPTION |
|------|------------------------|--|
| 1 | 883717 | COVER HGE DR RHT/LHB WHITE LIP 680/790 |
| | 883718 | COVER HGE DR LHT/RHB WHITE LIP 680/790 |
| 2 | 883672 | CAP DOOR END OUTER WH 790 |
| 3 | 836790 | NAMEPLATE F&P ELEG/TASMAN |
| 4 | 883660 | BEARING HINGE 680/790 RHT WH L |
| 5 | 871123P | PLUG/PIN HINGE DAIRY COVER (PKT 2) |
| 6 | 882141 | COVER DOOR SHELF 790 RH |
| 7 | 882323 | SHELF EGG RACK |
| 8 | 882146 | SHELF DOOR SML RH 790 |
| 9 | 882140 | COVER DOOR SHELF 790 LH |
| 10 | 882145 | SHELF DOOR SML LH 790 |
| 11 | 314026P | DOOR ASSY PC C WH 790X1030 B R |
| | <i>Includes 883672</i> | <i>CAP DOOR END OUTER WH 790 (2)</i> |
| | <i>Includes 883315</i> | <i>MAGNET DOOR SWITCH ST4</i> |
| 12 | 819822P | GASKET FRAME E522B PC |
| 13 | 883315 | MAGNET DOOR SWITCH ST4 |
| 14 | 814537 | DOOR STOP ASSY |
| 15 | 819648 | CLOSING HOOK DR STOP WH RH |
| 16 | 817825P | SCREW #8X22 WAFER PH ST TV (PKT 10) |
| 17 | 883121 | DIVIDER BOTTLE RAIL WHITE |
| 18 | 818851 | RAIL BOTTLE SUPPORT 790 SL |
| 19 | 876281P | PLUG DOOR SHELF WHITE (2) |
| 20 | 882100 | SHELF DOOR LARGE 790 |
| 21 | 314028P | DOOR FC G 790X613 C WH B RH P |
| | <i>Includes 883672</i> | <i>CAP DOOR END OUTER WH 790 (2)</i> |
| | <i>Includes 883315</i> | <i>MAGNET DOOR SWITCH ST4</i> |
| 22 | 819821P | GASKET FRAME E522B FC |
| 23 | 881453P | BEARING DR CLOSING RH WH PKD |
| 24 | 820870 | HANDLE DR CURVE LG PC V |
| 25 | 820871 | HANDLE DR CURVE SH PC V |
| 26 | 881391 | PLATE HANDLE SUPPORT PLATED |
| 27 | 821189 | BOOKLET U&C ROW |



| REF. | PART NUMBER | PART DESCRIPTION |
|------|------------------------|--|
| 1 | 880490 | COVER TOP HINGE WHITE |
| 2 | 817818P | SCREW M5X20 HEX PH ST TV (PKT 10) |
| 3 | 880526P | BRACKET TOP HINGE ASSY |
| 4 | 882355 | GASKET TOP HINGE |
| 5 | 881131P | PLUG TAPPED HOLE WHITE (PKT 3) |
| 6 | 883590 | TRIM CORNER RECESSED WHITE |
| 7 | 836751P | SHELF GLASS PC 790 ASSY SC |
| | <i>Includes</i> | <i>SHELF GLASS PC 790</i> |
| | <i>Includes</i> | <i>TRIM SHELF PC 790 SC</i> |
| | <i>Includes</i> | <i>STIFFENER SHELF PC 790 SC</i> |
| | <i>Includes 836569</i> | <i>PLUG STIFFENER SHELF RH</i> |
| | <i>Includes 836570</i> | <i>PLUG STIFFENER SHELF LH</i> |
| | <i>Includes 836567</i> | <i>PLUG TRIM SHELF RH (Front)</i> |
| | <i>Includes 836568</i> | <i>PLUG TRIM SHELF LH (Front)</i> |
| 8 | 836574 | LID HUMIDITY CONTROL 790B |
| 9 | 881268 | BRACKET HCL SUPPORT B GL SH |
| 10 | 836582 | RETAINER HCL FRONT 790 |
| 11 | 836631 | SLIDE CONTROL HUMIDITY RH |
| | 836633 | SLIDE CONTROL HUMIDITY LH |
| 12 | 836632 | GUIDE CONTROL HUMIDITY RH |
| | 836634 | GUIDE CONTROL HUMIDITY LH |
| 15 | 881283P | BRACKET CENTRE HINGE RH PKD |
| | <i>Includes 883988</i> | <i>CAP DOOR CLOSING RH HGE BRKT</i> |
| 16 | 880656P | SCREW 10GX25CSK SQ SS (PKT 10) |
| 17 | 881420 | COVER REED SWITCH ST4 WHITE |
| 18 | 814443P | SWITCH REED FIELD FIX KIT ST4 |
| | <i>Includes</i> | <i>HEATSHRINK 1/8" MW ADHESIVE LINED</i> |
| 19 | 880595P | CAP SCREW CROSS RAIL WHT PKD |
| 20 | 817822P | SCREW #10X19 AB #2 SQ TV (PKT 10) |
| 21 | 836524 | BIN SMALL 790 |
| 22 | 836522 | BIN SMALL |
| 23 | 821183P | PC FAN ASSY JST/DCT |
| | <i>Includes</i> | <i>FAN HOUSING PC ASSY</i> |
| | <i>Includes</i> | <i>DUCT JUNCTION</i> |
| | <i>Includes</i> | <i>CONNECTOR IDC UP2 (2)</i> |
| | <i>Includes</i> | <i>LABEL WARNING 12 VOLT DC</i> |
| | <i>Includes</i> | <i>SHEET INSTRUCTION PC FAN ASSY</i> |
| 24 | 836514 | TRAY 790 |
| 25 | 836585 | SKID TRAY RH |
| | 836586 | SKID TRAY LH |
| 26 | 836517 | WHEEL & CHASSIS ASSEMBLY (PKT 2) |
| 27 | 836810 | RETAINER & SLIDE 790 RH ASSY |
| | <i>Includes</i> | <i>RETAINER SLIDE PC RH</i> |
| | <i>Includes 836700</i> | <i>SLIDE 305 RH ASSEMBLY</i> |
| | <i>Includes 836520</i> | <i>CLIP SLIDE</i> |

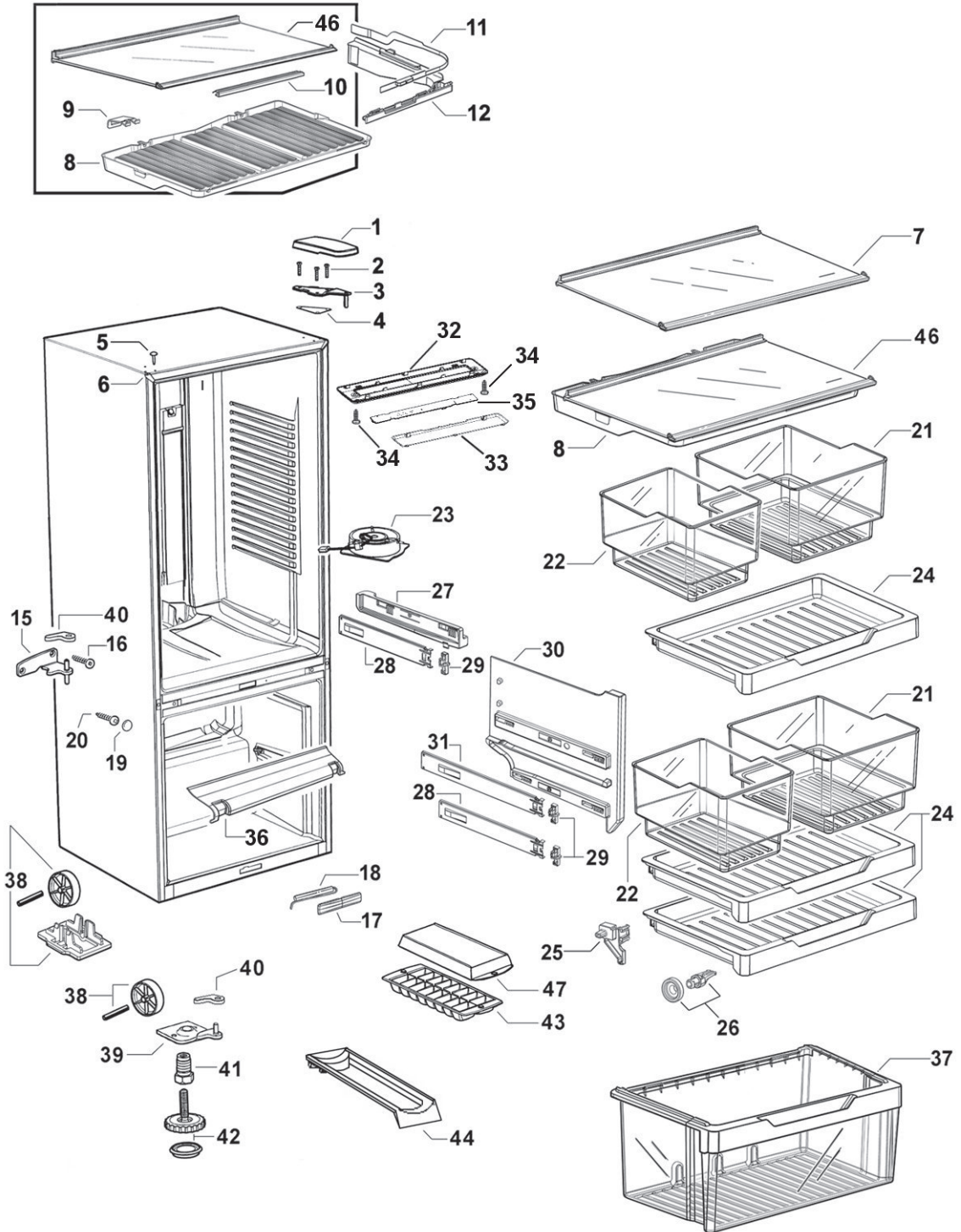
Continued on next page ►

CABINET COMPONENTS

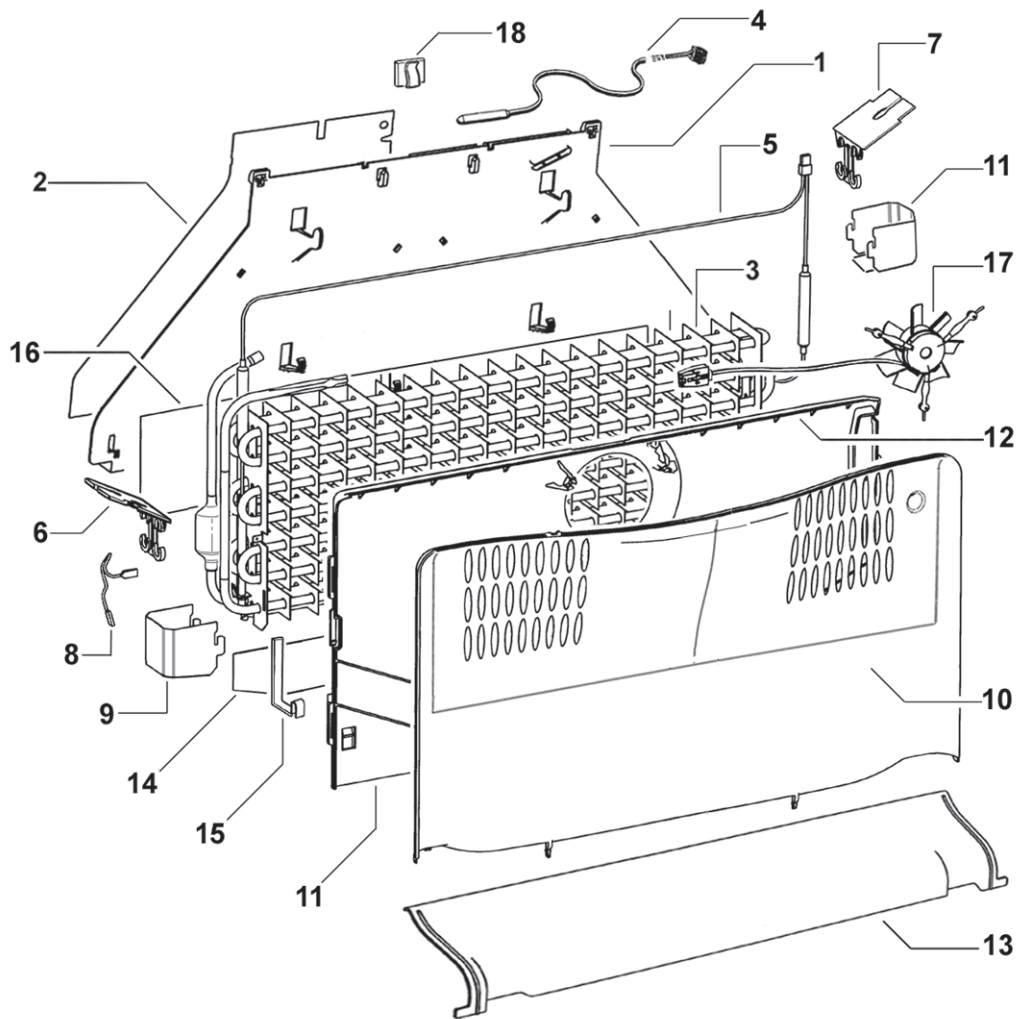


| REF. | PART NUMBER | PART DESCRIPTION |
|-----------|------------------------|---|
| 27 | 836809 | RETAINER & SLIDE 790 LH ASSY |
| | <i>Includes</i> | <i>RETAINER SLIDE PC LH</i> |
| | <i>Includes 836701</i> | <i>SLIDE 305 LH ASSEMBLY</i> |
| | <i>Includes 836520</i> | <i>CLIP SLIDE</i> |
| 28 | 836700 | SLIDE 305 RH ASSEMBLY |
| | <i>Includes 836520</i> | <i>CLIP SLIDE</i> |
| | 836701 | SLIDE 305 LH ASSEMBLY |
| | <i>Includes 836520</i> | <i>CLIP SLIDE</i> |
| 29 | 836520P | CLIP SLIDE (PKT 2) |
| 30 | 836545 | RETAINER SLIDE FC RH |
| | 836546 | RETAINER SLIDE FC LH |
| 31 | 836702 | SLIDE 350 RH ASSEMBLY |
| | <i>Includes 836520</i> | <i>CLIP SLIDE</i> |
| | 836703 | SLIDE 350 LH ASSEMBLY |
| | <i>Includes 836520</i> | <i>CLIP SLIDE</i> |
| 32 | 820736 | HOUSING FRONT LED PC |
| 33 | 820737 | WINDOW LED PC |
| 34 | 817816P | SCREW 6 X12 AB TRUSS PH ST TV (PKT 10) |
| 35 | 820743P | MOD LAMP AS 2LED ROHS SVC |
| | <i>Includes 820736</i> | <i>HOUSING FRONT LED PC</i> |
| 36 | 836595 | DUCT RETURN AIR FC 790 |
| 37 | 836661 | BIN ASSEMBLY LARGE 790 |
| | <i>Includes</i> | <i>HANDLE BIN LARGE</i> |
| 38 | 315090P | KIT WHEEL BRACKET CLIP |
| | <i>Includes</i> | <i>PIN ROLLER PLATED</i> |
| | <i>Includes</i> | <i>ROLLER FOOT FRONT</i> |
| | <i>Includes</i> | <i>CLIP WHEEL BRACKET</i> |
| 39 | 814691P | BRACKET HINGE BASE RH PKD |
| | <i>Includes 883988</i> | <i>CAP DOOR CLOSING RH HGE BRKT</i> |
| 40 | 883988P | CAP DOOR CLOSING RH HGE BRKT |
| 41 | 813481 | BOLT BLIND END HINGE BRACKET |
| 42 | 818535 | WHEEL LEVELING FOOT ASSY RC |
| | <i>Includes</i> | <i>SCREW M10 LEVELLING FOOT TV</i> |
| | <i>Includes</i> | <i>BASE LEVELLING FOOT</i> |
| 43 | 874107 | TRAY ICE BASE |
| 44 | NOT USED | NOT USED IN THIS MODEL |

CABINET COMPONENTS

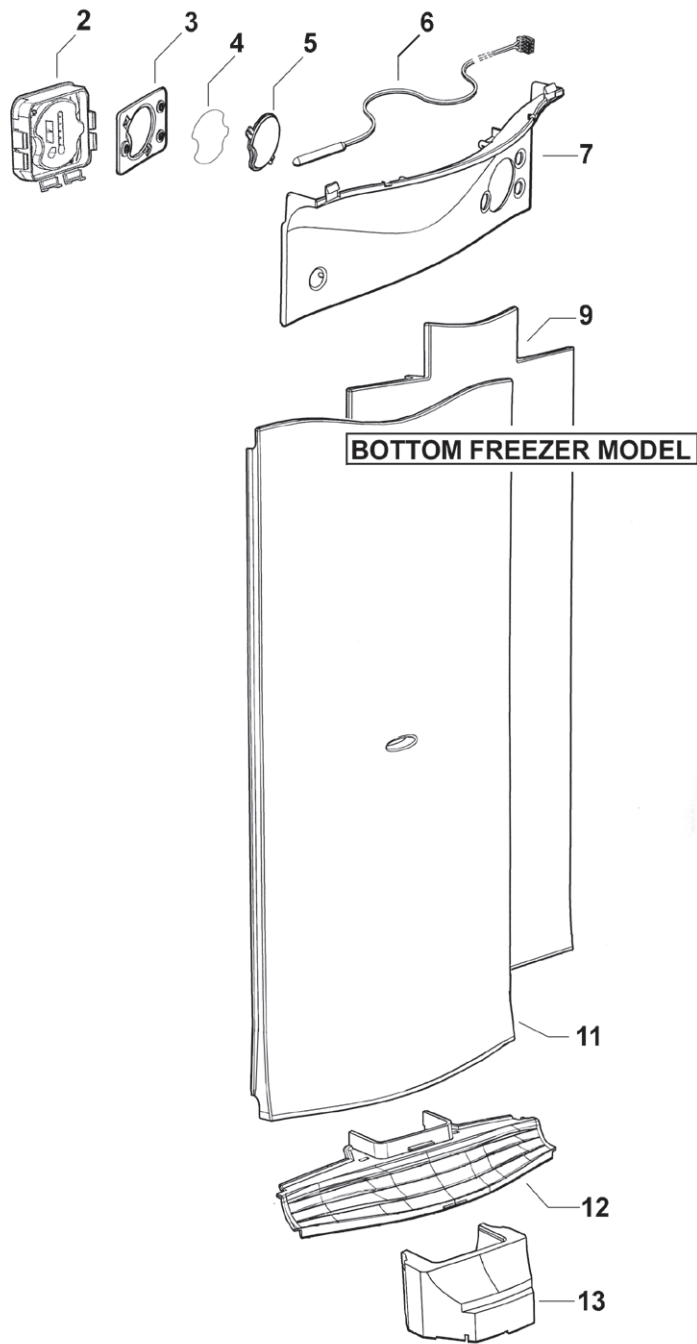


| REF. | PART NUMBER | PART DESCRIPTION |
|---|------------------------|--|
| 46 | 836728P | SHELF GLASS HCL 790B ASSY SC |
| | <i>Includes</i> | <i>SHELF GLASS PC 790</i> |
| | <i>Includes</i> | <i>TRIM SHELF HCL 790 SC</i> |
| | <i>Includes</i> | <i>STIFFENER SHELF PC 790 SC</i> |
| | <i>Includes 836567</i> | <i>PLUG TRIM SHELF RH (Front)</i> |
| | <i>Includes 836568</i> | <i>PLUG TRIM SHELF LH (Front)</i> |
| | <i>Includes 836569</i> | <i>PLUG STIFFENER SHELF RH</i> |
| | <i>Includes 836570</i> | <i>PLUG STIFFENER SHELF LH</i> |
| | <i>Includes 819179</i> | <i>RETAINER HCL FRONT 790</i> |
| | <i>Includes 881268</i> | <i>BRACKET HCL SUPPORT B GL SH (2)</i> |
| 47 | 874108 | TRAY ICE LID |
| JOINER KIT FOR SIDE BY SIDE CABINET CONNECTION | | |
| Used for combining any of the the following 1695mm high cabinet models: N388 ,C450, E402B, E411T, E415H, E440T, E442B, E521T and E522B | | |
| NI | 819263 | KIT JOINER WHITE |

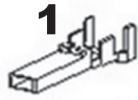


| REF. | PART NUMBER | PART DESCRIPTION |
|-----------|------------------------|--|
| 1 | 814475 | CHASSIS EVAP 790B |
| 2 | 884315 | DEFLECTOR HEAT 790B |
| 3 | 814704P | EVAP ASSY 790B 220-240V |
| | <i>Includes</i> | <i>EVAPORATOR FINNED 790</i> |
| | <i>Includes 814475</i> | <i>CHASSIS EVAP 790B</i> |
| | <i>Includes 884315</i> | <i>DEFLECTOR HEAT 790B</i> |
| | <i>Includes 820696</i> | <i>HEATER DEFROST 790 230V</i> |
| | <i>Includes 813992</i> | <i>CLIP ACTIVE SMART BAFFLE</i> |
| | <i>Includes 820604</i> | <i>CLIP EVAP BAFFLE</i> |
| | <i>Includes 814653</i> | <i>CLIP DEF HEATER B EVAP</i> |
| | <i>Includes 814713</i> | <i>SHIELD EVAP CHASSIS 790B</i> |
| | <i>Includes 814708</i> | <i>SHIELD HEATER LEFT HAND</i> |
| | <i>Includes 814709</i> | <i>SHIELD HEATER RIGHT HAND</i> |
| 4 | 855203P | SENSOR KIT ASSY ACTV SM |
| | <i>Includes</i> | <i>HEATSHRINK 25MM</i> |
| | <i>Includes</i> | <i>HARNESS SENSOR PC</i> |
| | <i>Includes</i> | <i>CONNECTOR BUTT (2)</i> |
| | <i>Includes</i> | <i>SHEET INSTRUCTN BUTT CONNECTORS</i> |
| 5 | 820696P | HEATER DEFROST 790 230V |
| 6 | 813992 | CLIP ACTIVE SMART BAFFLE |
| 7 | 820604 | CLIP EVAP BAFFLE |
| 8 | 814460 | HARNESS EARTH 100MM |
| 9 | 814708 | SHIELD HEATER LEFT HAND |
| 10 | 873395 | COVER FAN FC FRONT E790B |
| 11 | 814709 | SHIELD HEATER RIGHT HAND |
| 12 | 306096P | FAN FC KIT 790 SERIES A to C |
| | <i>Includes 880279</i> | <i>SHIELD HEATER FC COVER 790</i> |
| | <i>Includes</i> | <i>COVER FAN FC REAR 790</i> |
| | <i>Includes</i> | <i>CONNECTOR IDC UP2 (2)</i> |
| | <i>Includes</i> | <i>LABEL WARNING 12 VOLT DC</i> |
| | <i>Includes</i> | <i>FAN DC SUSPENDEED FC ASSY</i> |
| 13 | 836595 | DUCT RETURN AIR FC 790 |
| 14 | 883783 | SHIELD FC REAR COVER 790 |
| 15 | 814653 | CLIP DEFOST HEATER B EVAP |
| 16 | 814713 | SHIELD EVAP CHASSIS |
| 17 | 306096P | FAN FC KIT 790 SERIES A to C |
| | <i>Includes 880279</i> | <i>SHIELD HEATER FC COVER 790</i> |
| | <i>Includes</i> | <i>COVER FAN FC REAR 790</i> |
| | <i>Includes</i> | <i>CONNECTOR IDC UP2 (2)</i> |
| | <i>Includes</i> | <i>LABEL WARNING 12 VOLT DC</i> |
| | <i>Includes</i> | <i>FAN DC SUSPENDEED FC ASSY</i> |
| 18 | 900236 | CLIP ACC-3N |

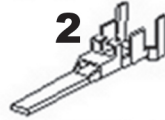
14 DISPLAY MODULE & DUCT COVERS



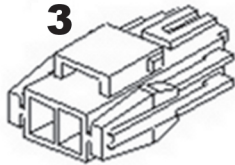
| REF. | PART NUMBER | PART DESCRIPTION |
|-----------|-----------------|---|
| 2 | 814321P | DISPLAY P42 ST4 SVC ROHS |
| 3 | 880779 | GASKET DISPLAY MODULE |
| 4 | 883448 | INSERT GRAPHICS DISPLAY |
| 5 | 883449 | LENS CLEAR-DISPLAY MODULE |
| 6 | 855203P | SENSOR KIT ASSY ACTV SM |
| | <i>Includes</i> | <i>HEATSHRINK 25MM</i> |
| | <i>Includes</i> | <i>HARNESS SENSOR PC</i> |
| | <i>Includes</i> | <i>CONNECTOR BUTT (2)</i> |
| | <i>Includes</i> | <i>SHEET INSTRUCTN BUTT CONNECTORS</i> |
| 7 | 836764 | COVER DUCT TOP PC B |
| 9 | 873950 | INSULATION COVER DUCT LG B |
| 11 | 881191 | COVER DUCT LONG B SGLE SLOT LONG |
| 12 | 813287 | GRILLE PC RETURN AIR B MODEL |
| 13 | 872833 | INSULATION INSERT PLUG-IN-DIVIDER B MODELS |



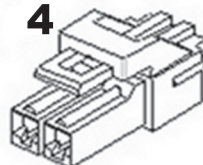
JST SOCKET TERMINAL



JST PIN TERMINAL



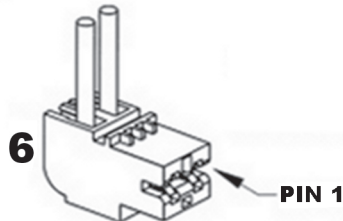
JST SOCKET



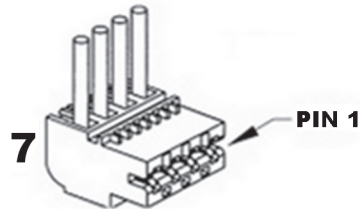
JST PLUG



JST RETAINER



RAST CONNECTOR



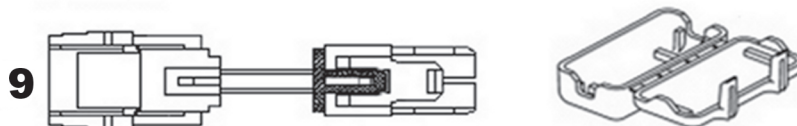
RAST CONNECTOR

NOTE THAT IN THE PART NAMES OF THESE CONNECTORS, THE -02- REFERS TO IT BEING A 2 WAY CONNECTOR, AND THE -AB01-(FOR EXAMPLE) REFERS TO THE CODING OF THE CONNECTOR.

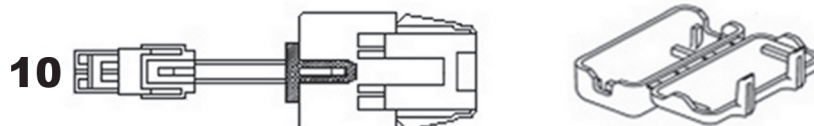


RAST CONNECTOR

NOTE: TO MINIMISE THE NUMBER OF SPARE PARTS THAT NEED TO BE CARRIED, THESE CODED CONNECTORS ARE TO BE REPLACED WITH THEIR UNCODED EQUIVALENTS FOR THE 3, 5 AND 6 WAY CONNECTORS USED ON STAGE 4 CABINETS.



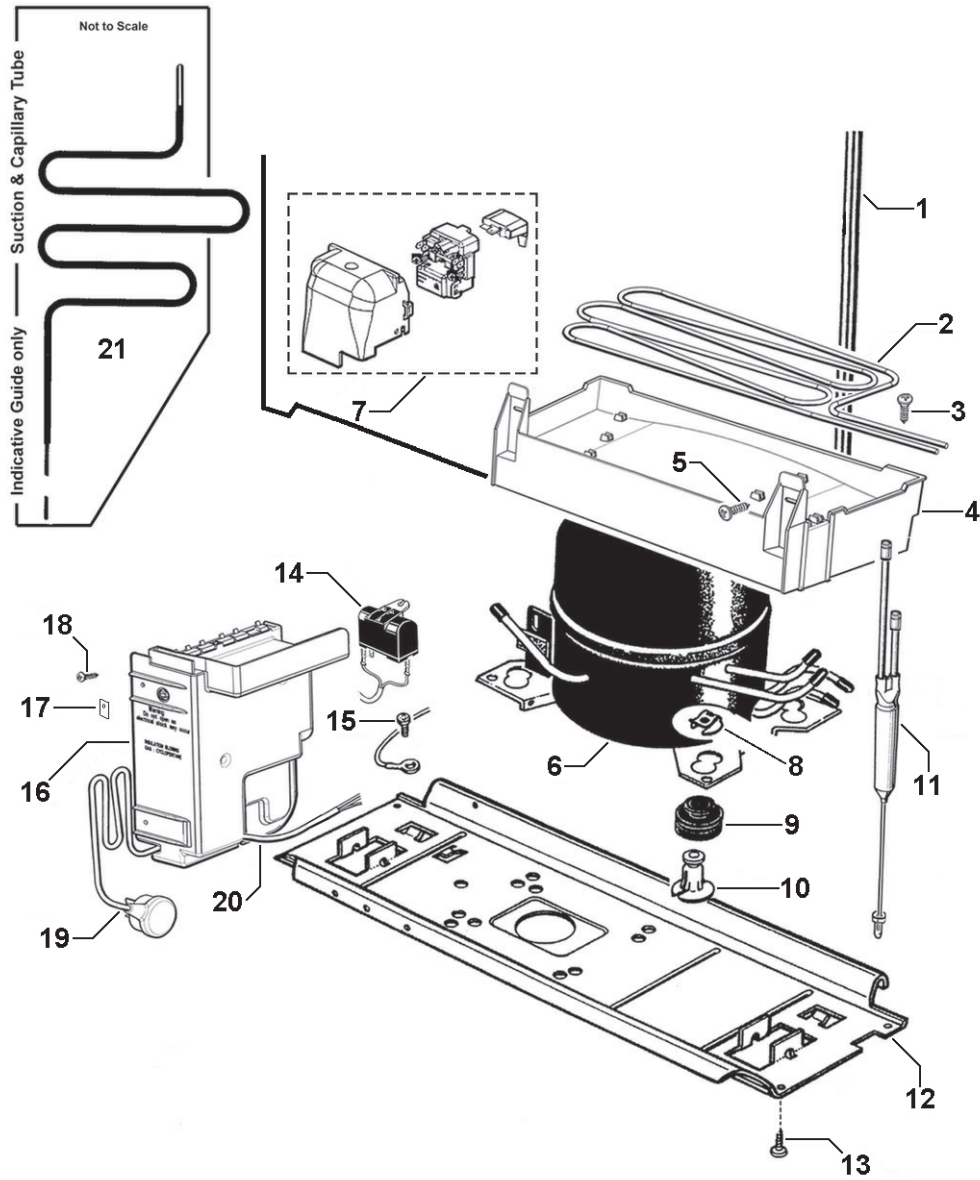
HARNESS ADAPTOR - JST REC TO MOLEX PLUG



HARNESS ADAPTOR - JST PLUG TO MOLEX REC

| REF. | PART NUMBER | PART DESCRIPTION | COMMENT |
|------|------------------------|-------------------------------|------------------|
| 1 | 819607P | TERMINAL SYF-01T PKT 10 | 26/20 AWG |
| | 819608P | TERMINAL SYF-41T PKT 10 | 20/16 AWG |
| 2 | 819609P | PIN/TERM SYM-01T PKT 10 | 26/20 AWG |
| | 819610P | PIN/TERM SYM-41T PKT 10 | 20/16 AWG |
| 3 | 819615 | JST SOCKET 2PIN YLR-02V | |
| | 819616 | JST SOCKET 3PIN YLR-03V | |
| | 819617 | JST SOCKET 4PIN YLR-04V | |
| | 819618 | JST SOCKET 6PIN YLR-06VF | |
| | 819619 | JST SOCKET 8 PIN YLR-08V | |
| 4 | 819611 | JST PLUG 2PIN YLP-02V | |
| | 819612 | JST PLUG 4PIN YLP-04V | |
| | 819613 | JST PLUG 6PIN YLP-06V | |
| | 819614 | JST PLUG 8PIN YLP-08V | |
| 5 | 819620 | RETAINER 2 WAY YLS-02V | |
| | 819621 | RETAINER 3 WAY YLS-03V | |
| 6 | 881588 | CONNECTOR RAST 9290-02-AB01 | MAINS CORD |
| | 881589 | CONNECTOR RAST 9290-02-BA01 | DEFROST HEATER |
| | 881590 | CONNECTOR RAST 9290-02-EE01 | RUN CAPACITOR |
| 7 | 881591 | CONNECTOR RAST 9290-04-EF02 | COMPRESSOR CABLE |
| 8 | 873251 | CONNECTOR RAST 7234-003-500 | |
| | 873250 | CONNECTOR RAST 7234-004-500 | |
| | 881135 | CONNECTOR RAST 7234-005-500 | |
| | 873247 | CONNECTOR RAST 7234-006-500 | |
| | 873279 | CONNECTOR RAST 7234-008-500 | |
| | 873248 | CONNECTOR RAST 7234-010-500 | |
| | 873243 | CONNECTOR RAST 7234-012-500 | |
| | 881136 | CONNECTOR RAST 7234-014-500 | |
| | 881137 | CONNECTOR RAST 7234-017-502 | |
| 9 | 820687P | ADAPTOR JST REC TO MOLEX KIT | |
| | <i>Includes 884412</i> | <i>COVER PLUG MOLEX</i> | |
| 10 | 820688P | ADAPTOR JST PLUG TO MOLEX KIT | |
| | <i>Includes 884412</i> | <i>COVER PLUG MOLEX</i> | |

**NOTE: THE NUMBERS IN THE DESCRIPTION OF THE RAST CONNECTOR DENOTE THE NUMBER OF CONNECTIONS
EXAMPLE: 7234-017-502 =17 WAY CONNECTOR**



| REF. | PART NUMBER | PART DESCRIPTION |
|------|------------------------|---------------------------------------|
| 1 | 882137P | PANEL BACK & CONDENSER ASSEMBLY |
| 2 | 814684 | TUBE EVAP TRAY FORMED H/SHRINK |
| 3 | 815236P | SCREW 12X1/2 TAB CSK PH (PKT 10) |
| 4 | 820734 | TRAY EVAP AS |
| 5 | 817817P | SCREW #8X12 SP PAN NIB ST TV (PKT 10) |
| 6 | 207217P | COMPR MAT DHS77C13RAW 230-240V 50HZ |
| | <i>Includes</i> | RELAY-PTHTM330MD3(GE-1900)-DHS |
| | <i>Includes</i> | OVERLOAD MAT 232NFBYY DHS77 |
| | <i>Includes</i> | COVER PROTECTOR MAT DHS 230V |
| | <i>Includes 881443</i> | GROMMET COMPRESSOR MOUNTING TALL (4) |
| | <i>Includes 881444</i> | POST COMPRESSOR MOUNTING TALL (4) |
| | <i>Includes 855270</i> | CLIP FOOT COMPRESSOR |
| | <i>Includes 814809</i> | CAP 4.0UμF 450V RAST5 P2 |
| | <i>Includes 814843</i> | FILTER DRIER LONG TAIL XH9 12 GRM |
| 7 | 207272 | COMPR ANCILL PARTS MAT DHS77 |
| | <i>Includes</i> | RELAY-PTHTM330MD3(GE-1900)-DHS |
| | <i>Includes</i> | OVERLOAD MAT 232NFBYY DHS77 |
| | <i>Includes</i> | COVER PROTECTOR MAT DHS 230V |
| 8 | 855270P | CLIP FOOT COMPRESSOR (PKT 4) |
| 9 | 881443P | GROMMET COMP MOUNT (PKT 4) |
| 10 | 881444 | POST COMPRESSOR MOUNTING TALL |
| 11 | 814843P | FILTER DRIER LONG TAIL XH9 12 GRM |
| 12 | 814905 | TRAY COMP MOUNTING 790 VCC |
| 13 | 817829P | SCREW #8X16 SP PAN NIB ST TV (PKT 10) |
| 14 | 814809P | CAP 4.0μF 450V RAST5 P2 |
| 15 | 817828P | SCREW 8-32X8 TY T PAN PH TV (PKT 10) |
| 16 | 820817P | MOD CNTRL GLTH RT 220V SVC |
| 17 | 884505 | COVER COMMS PORT |
| 18 | 817829P | SCREW #8X16 SP PAN NIB ST TV (PKT 10) |
| 19 | 817838 | CABLE SUPPLY EUROPE A/S |
| 20 | 813393 | HARNESS COMP 4 CORE DGX |
| 21 | 817864 | SUCTION & CAPILLARY ASSY 790B |

Fisher & Paykel
appliances

customer care™

www.fisherpaykel.co.nz
www.fisherpaykel.com.au

Fisher & Paykel

Copyright © Fisher & Paykel 2012. All rights reserved.
The product specifications in this manual apply to the specific model described at the date of issue. Under our policy of continuous product improvement, these specifications may change at any time. Only use this manual if the product code on the front matches the product code on the serial label of the product.